

US00D526932S

(12) **United States Design Patent**
Bock et al.

(10) **Patent No.: US D526,932 S**

(45) **Date of Patent: ** Aug. 22, 2006**

(54) **STRADDLE CARRIER**

(75) Inventors: **Rudolf Bock**, Kuernach (DE); **Guido Maria Luini**, Parma (IT)

(73) Assignee: **Noell Crane Systems GmbH**, Wuerzburg (DE)

(**) Term: **14 Years**

(21) Appl. No.: **29/219,843**

(22) Filed: **Dec. 22, 2004**

(51) **LOC (8) Cl.** **12-14**

(52) **U.S. Cl.** **D12/1**

(58) **Field of Classification Search** D12/345,
D12/1, 14; 414/458-461, 611, 745.6, 909,
414/911; 280/99

See application file for complete search history.

(56) **References Cited**

U.S. PATENT DOCUMENTS

- 3,688,931 A * 9/1972 Hans et al. 414/460
- 3,957,165 A * 5/1976 Smith 414/460
- 4,159,778 A * 7/1979 Pueschner et al. 414/460

- 4,432,690 A * 2/1984 Monk 414/460
- 4,480,714 A * 11/1984 Yabuta et al. 180/290
- 2002/0001515 A1 * 1/2002 Lukumaa et al. 414/460

* cited by examiner

Primary Examiner—Antoine D. Davis

Assistant Examiner—Patricia Palasik

(74) *Attorney, Agent, or Firm*—Davidson, Davidson & Kappel, LLC

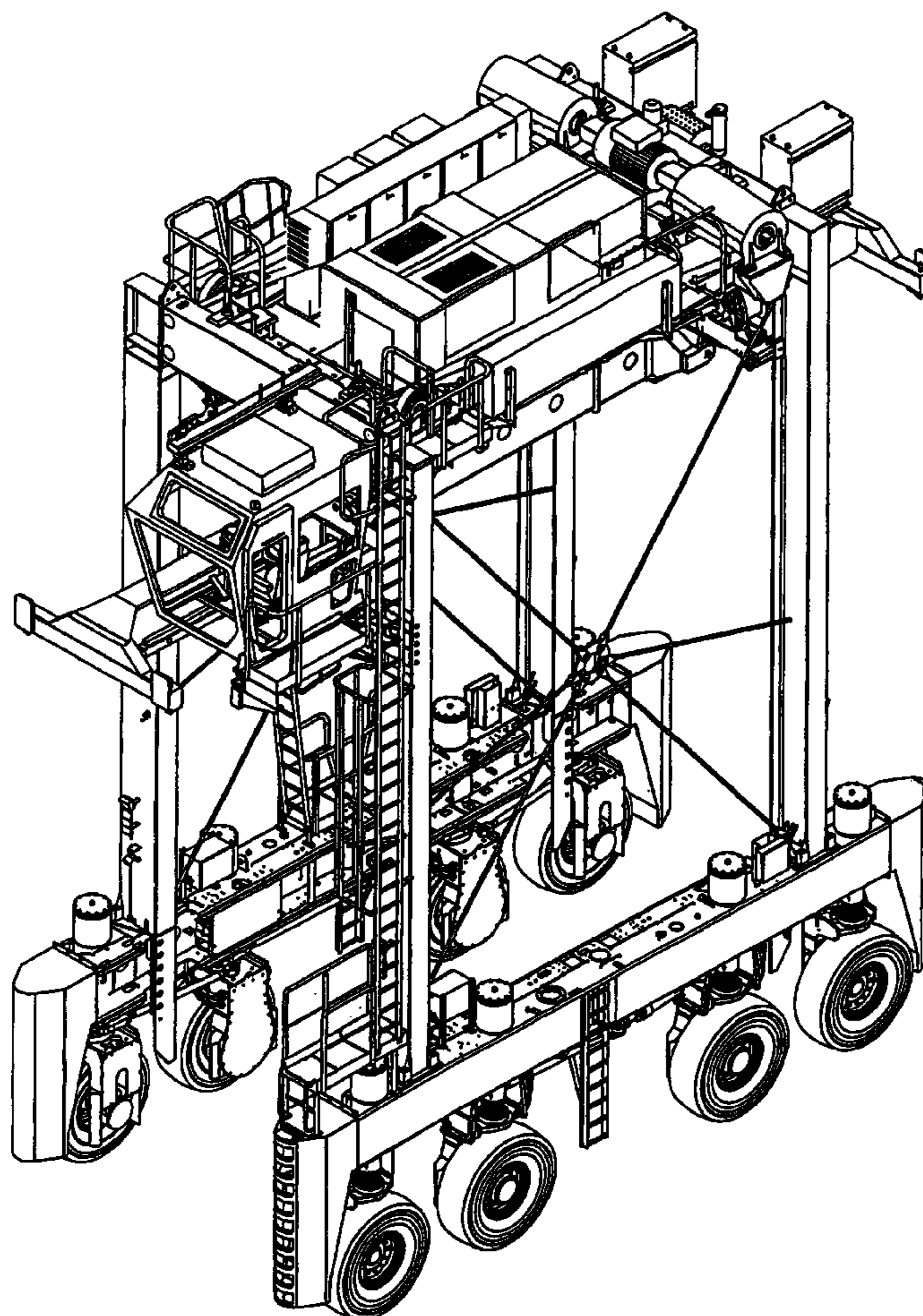
(57) **CLAIM**

The ornamental design for a straddle carrier, as shown and described.

DESCRIPTION

FIG. 1 is a top, front, and left side perspective view of the straddle carrier, showing my new design;
 FIG. 2 is front view thereof;
 FIG. 3 is a left side view thereof;
 FIG. 4 is a top view thereof;
 FIG. 5 is a right side view thereof;
 FIG. 6 is a bottom view thereof; and,
 FIG. 7 is a rear view thereof.

1 Claim, 7 Drawing Sheets



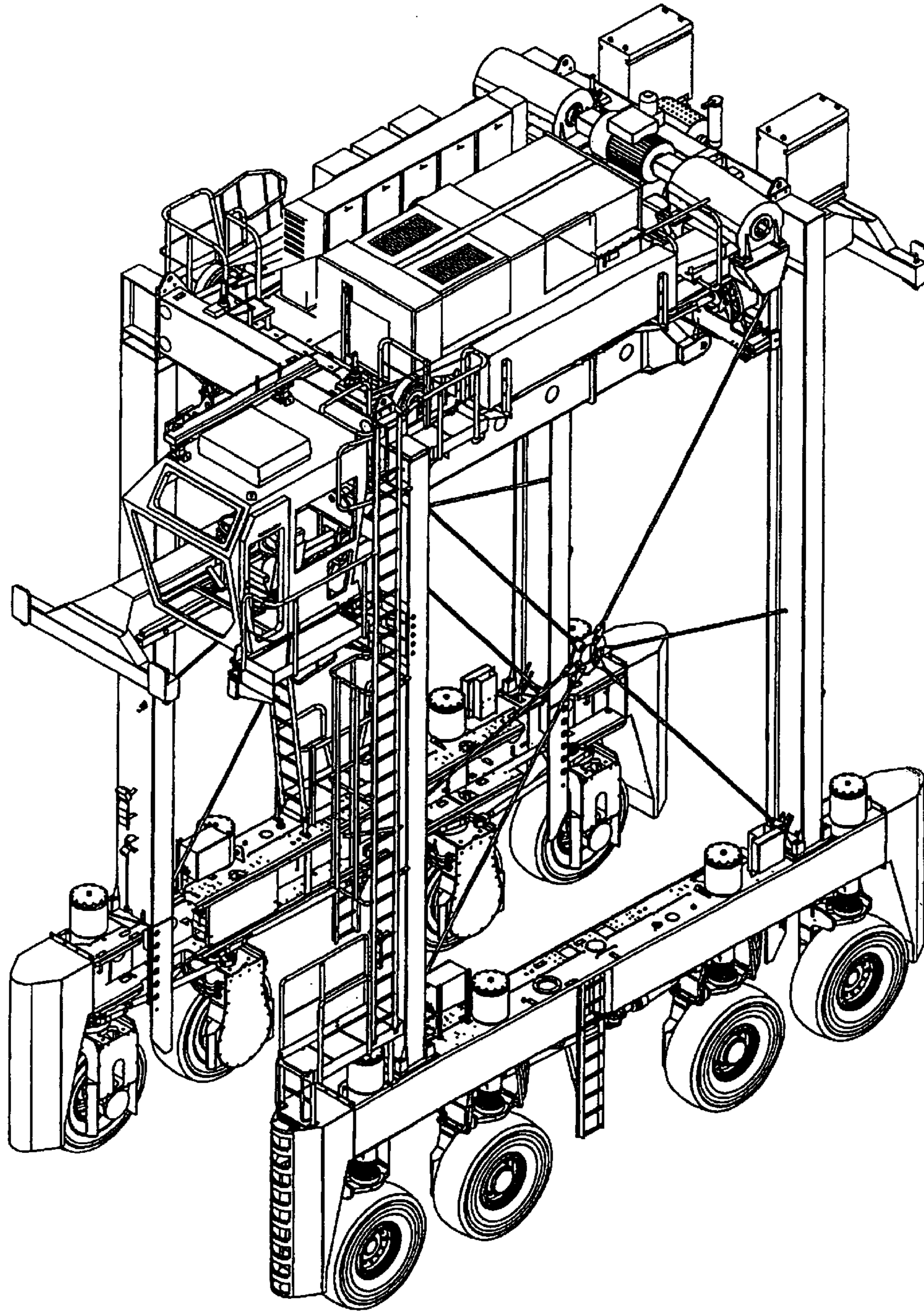


Fig. 1

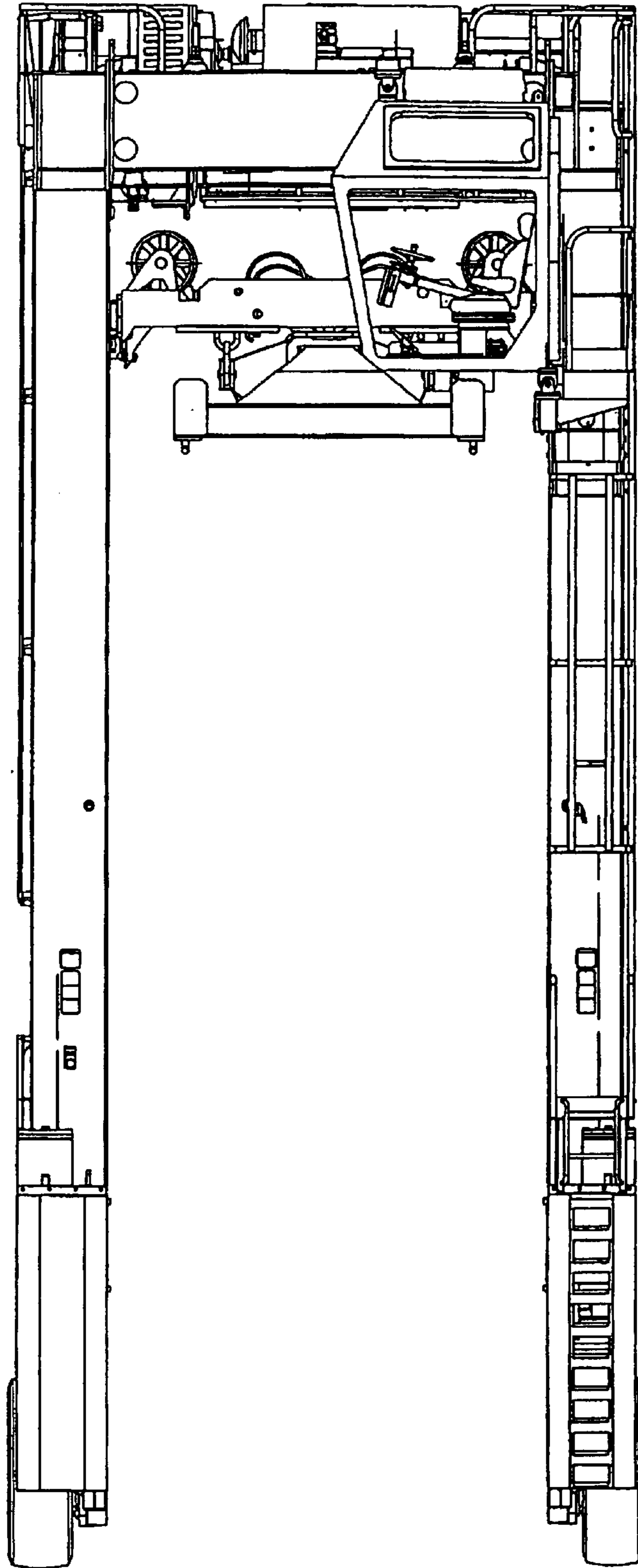


Fig. 2

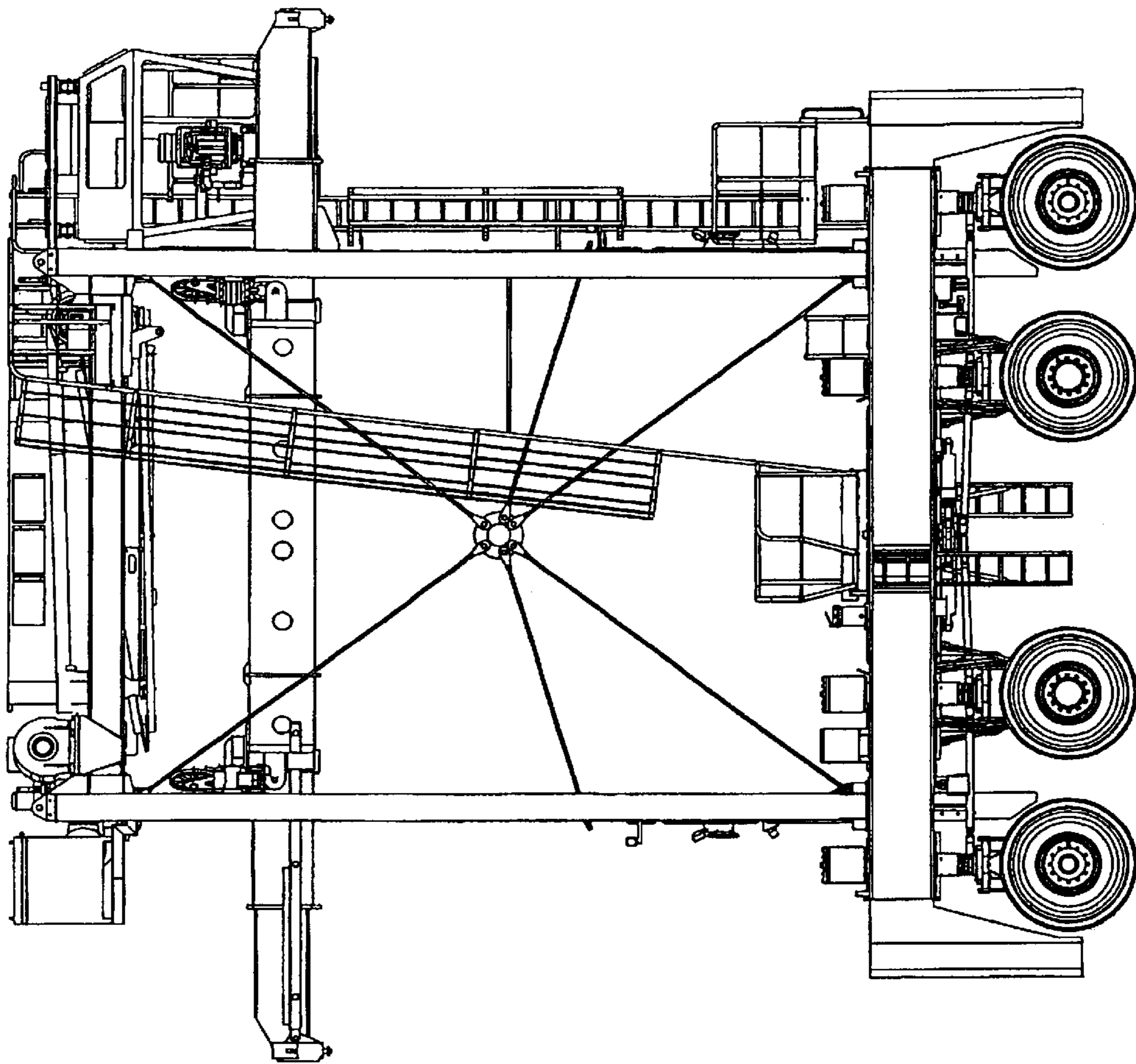


Fig. 3

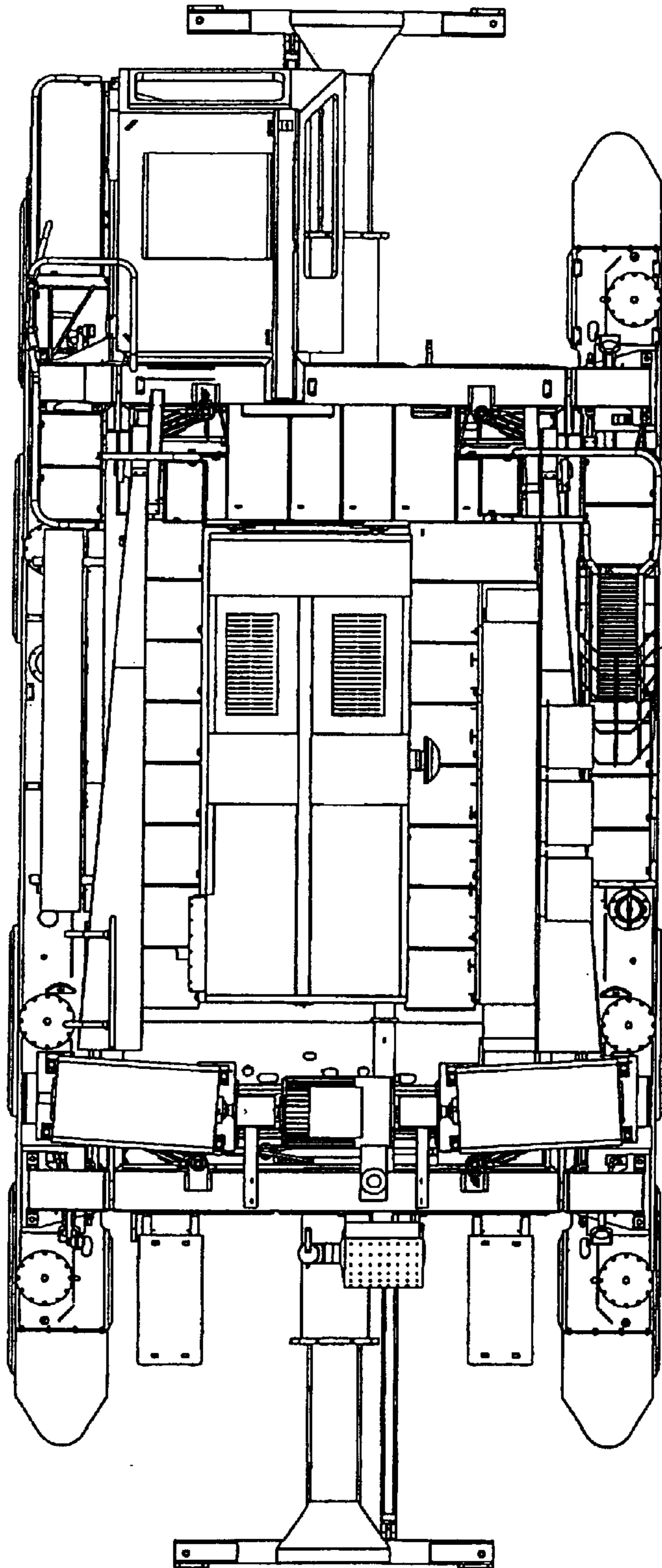


Fig. 4

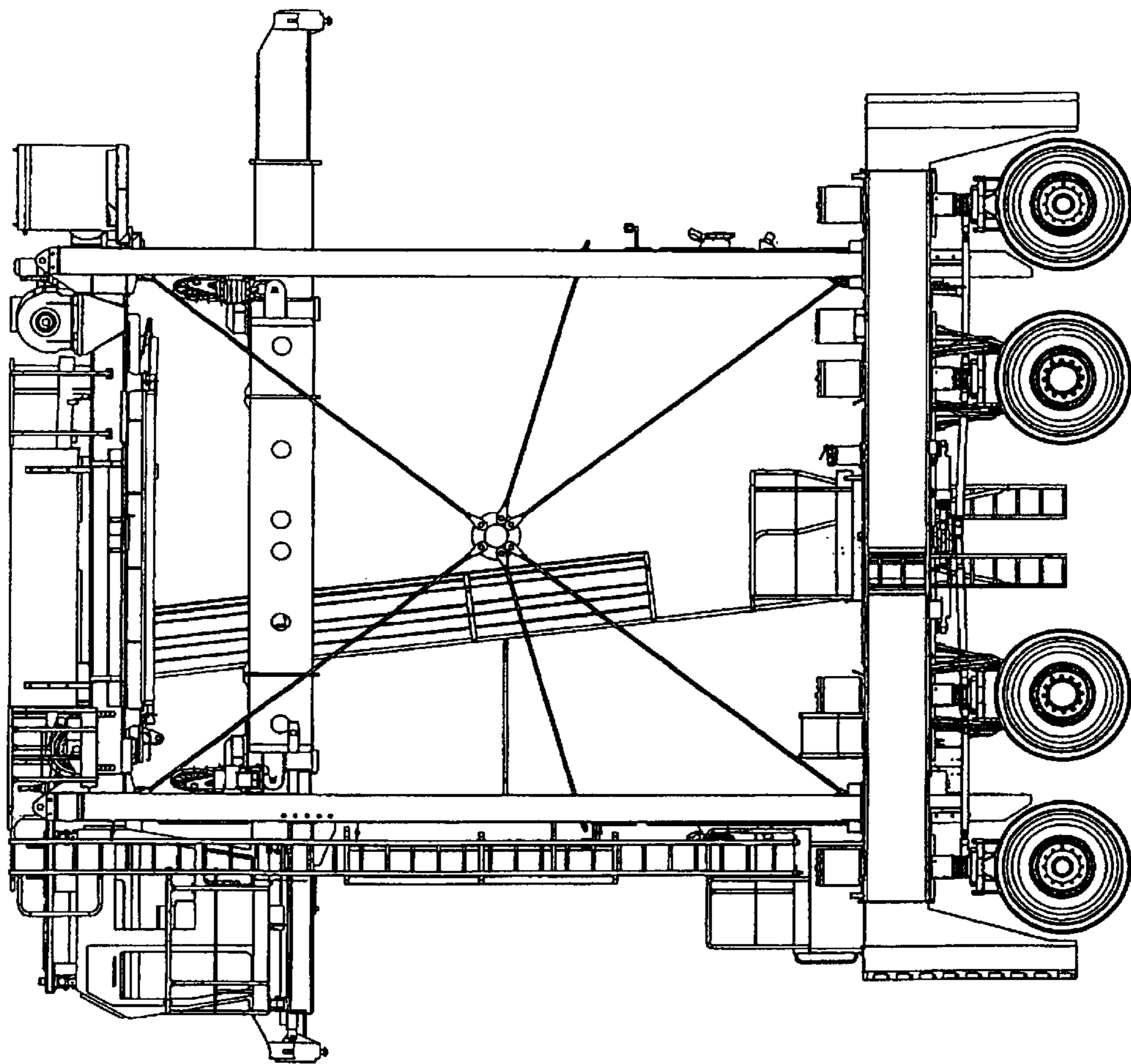


Fig. 5

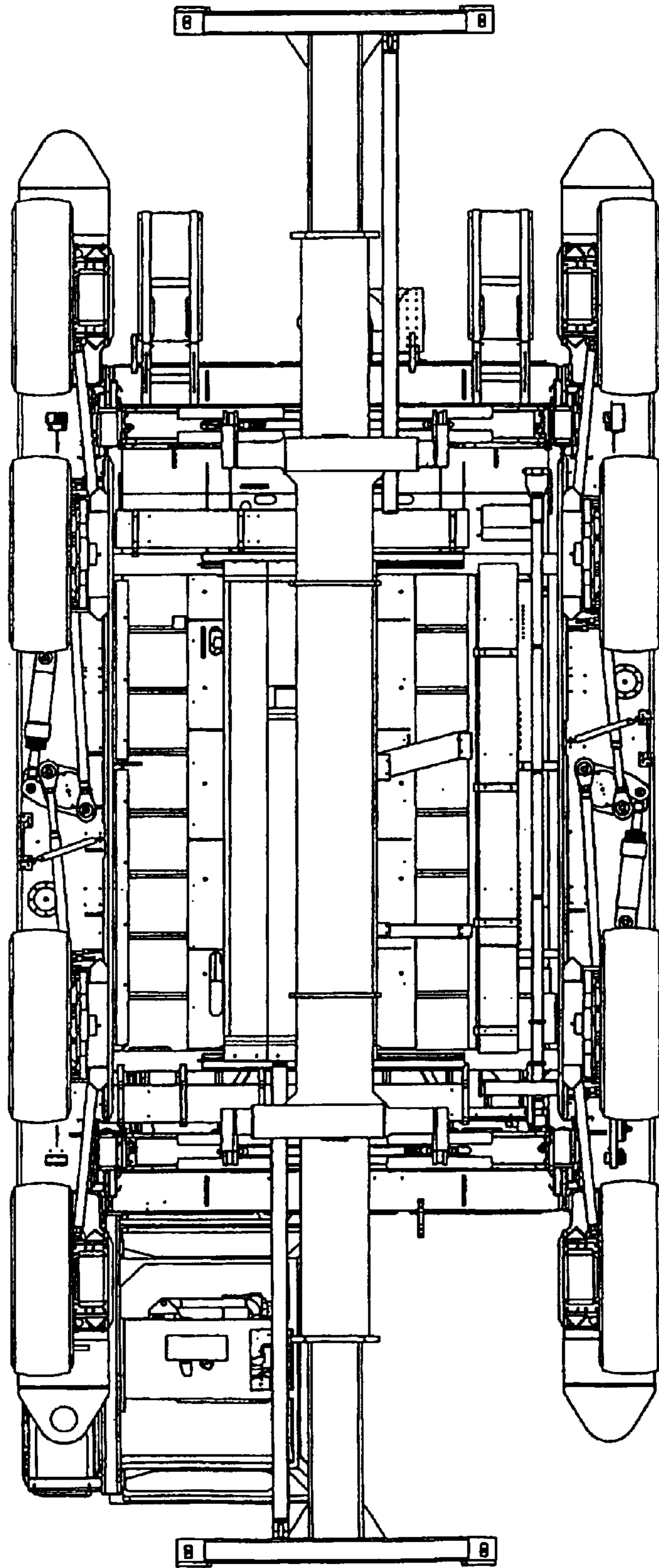


Fig. 6

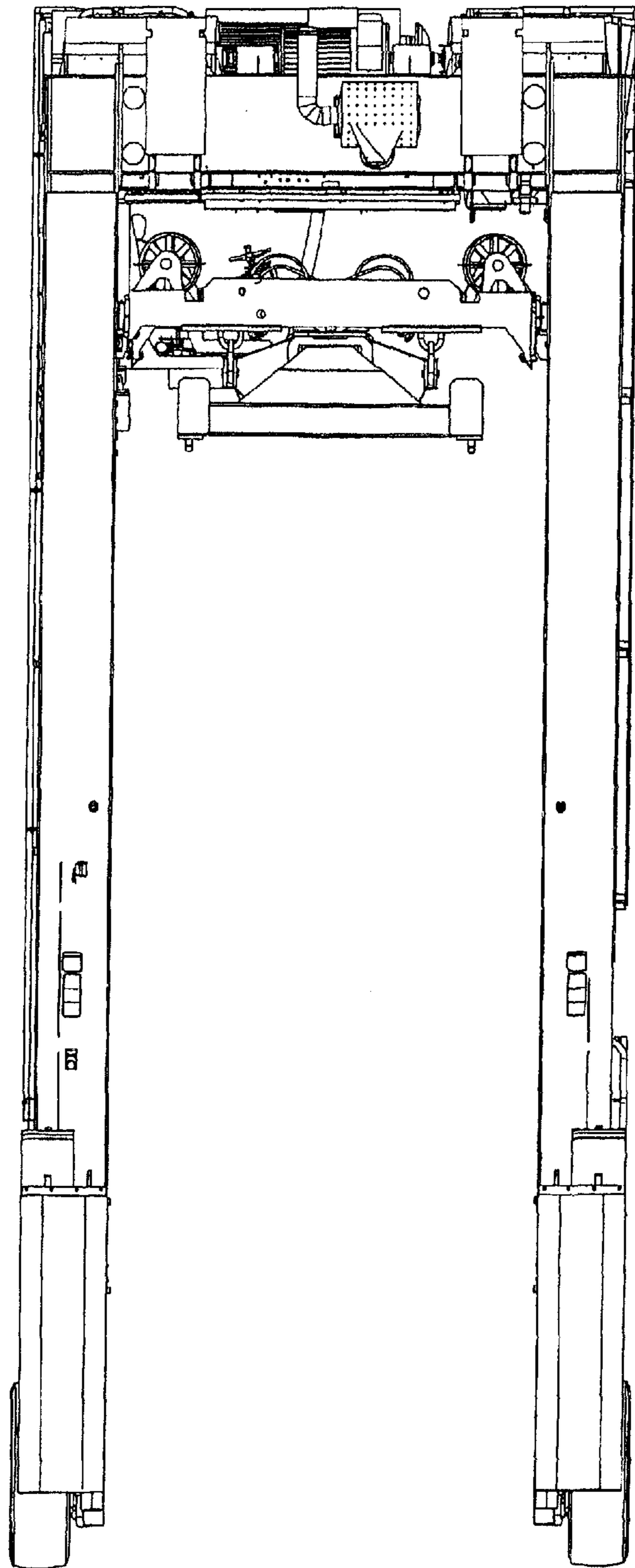


Fig. 7