



US00D526931S

(12) **United States Design Patent** (10) **Patent No.:** **US D526,931 S**
Koenig et al. (45) **Date of Patent:** **** Aug. 22, 2006**

(54) **ZIPPER LOCKING MECHANISM FOR STORAGE AND TRANSPORT DEVICES**

(76) Inventors: **Thomas L. Koenig**, 1350 Hayes St., Suite C-16, Benicia, CA (US) 94510; **Chang Feng Ye**, 3850 St., Elizabeth Sq., Duluth, GA (US) 30096; **Lisa Lai**, 3850 St., Elizabeth Sq., Duluth, GA (US) 30096; **Margaret Raible**, 300 Yachtman Dr., Vallejo, CA (US) 94591

(**) Term: **14 Years**

(21) Appl. No.: **29/236,121**

(22) Filed: **Aug. 10, 2005**

(51) **LOC (8) Cl.** **02-07**

(52) **U.S. Cl.** **D11/221**

(58) **Field of Classification Search** D11/200, D11/201, 221; 24/415-418, 400-401, 419, 24/421, 409, 427-431, 435, 381-382, 386, 24/385, 387, 433; 70/68; 292/307 R; 384/64
See application file for complete search history.

(56) **References Cited**

U.S. PATENT DOCUMENTS

2,415,643	A	*	2/1947	Legat	24/401
3,004,318	A	*	10/1961	Weiser	24/416
3,955,842	A	*	5/1976	Edwards	292/307 R
3,959,858	A	*	6/1976	Fukuroi	24/435
4,395,891	A	*	8/1983	Remington	70/68
4,995,656	A	*	2/1991	Akashi	292/307 R
5,063,760	A	*	11/1991	Horita et al.	70/23
5,090,096	A	*	2/1992	Terada et al.	24/431
D378,072	S	*	2/1997	Mizuno	D11/221
6,510,593	B1	*	1/2003	Kim	24/418
D478,839	S	*	8/2003	Yoneoka et al.	D11/221
D482,987	S	*	12/2003	Ritter	D11/221

* cited by examiner

Primary Examiner—Ralf Seifert
(74) Attorney, Agent, or Firm—Weintraub Genshlea Chediak Sproul; Pamela W. Bertani

(57) **CLAIM**

The ornamental design for a zipper locking mechanism for storage and transport devices, as shown and described.

DESCRIPTION

FIG. 1 is a perspective view of a zipper locking mechanism for storage and transport devices, showing our new design in full lines with broken lines showing of environmental association matter being for illustrative purposes only and forming no part of the claimed design.

FIG. 2 is a top view thereof.

FIG. 3 is a left side view thereof, showing our new design in full lines with broken lines showing of environmental association matter being for illustrative purposes only and forming no part of the claimed design.

FIG. 4 is a bottom view thereof.

FIG. 5 is a rear view thereof.

FIG. 6 is a front view thereof.

FIG. 7 is a perspective view thereof, showing our new design in full lines with broken lines showing of environmental association matter being for illustrative purposes only and forming no part of the claimed design.

FIG. 8 is a top view thereof.

FIG. 9 is a right side view thereof, showing our new design in full lines with broken lines showing of environmental association matter being for illustrative purposes only and forming no part of the claimed design.

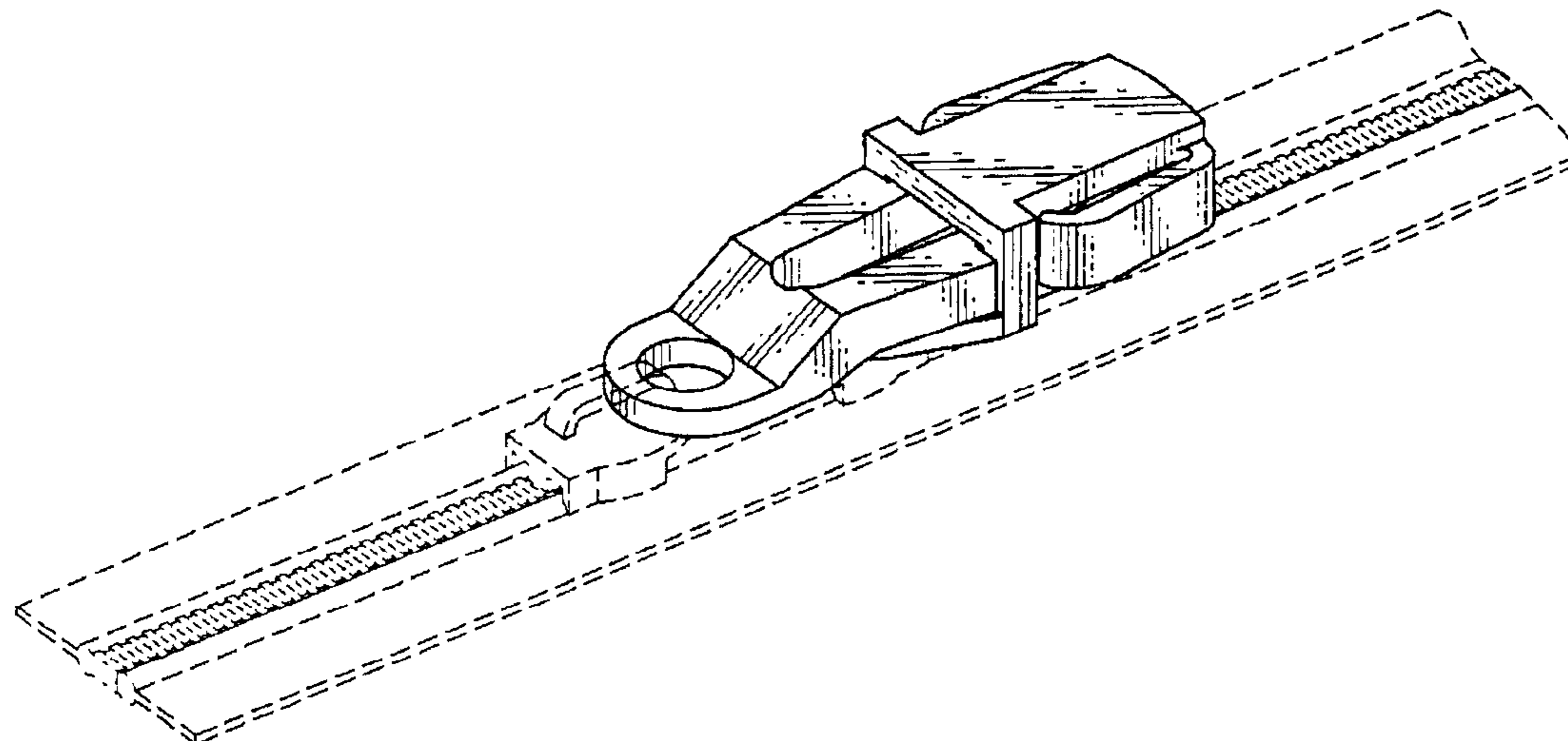
FIG. 10 is a bottom view thereof.

FIG. 11 is a front view thereof.

FIG. 12 is a rear view thereof; and,

FIG. 13 is a perspective view thereof, showing our new design in full lines with broken lines showing of environmental association matter being for illustrative purposes only and forming no part of the claimed design.

1 Claim, 3 Drawing Sheets



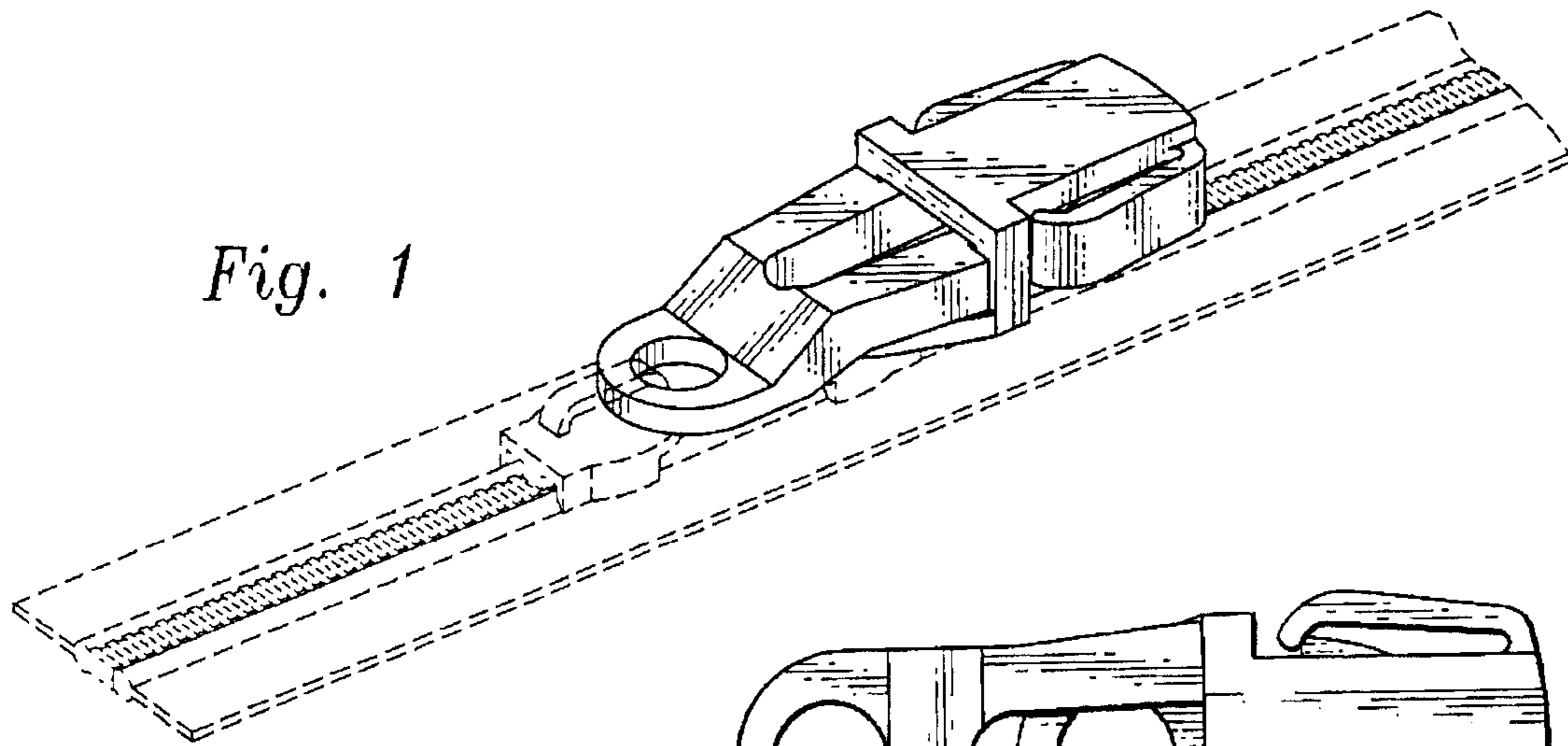


Fig. 1

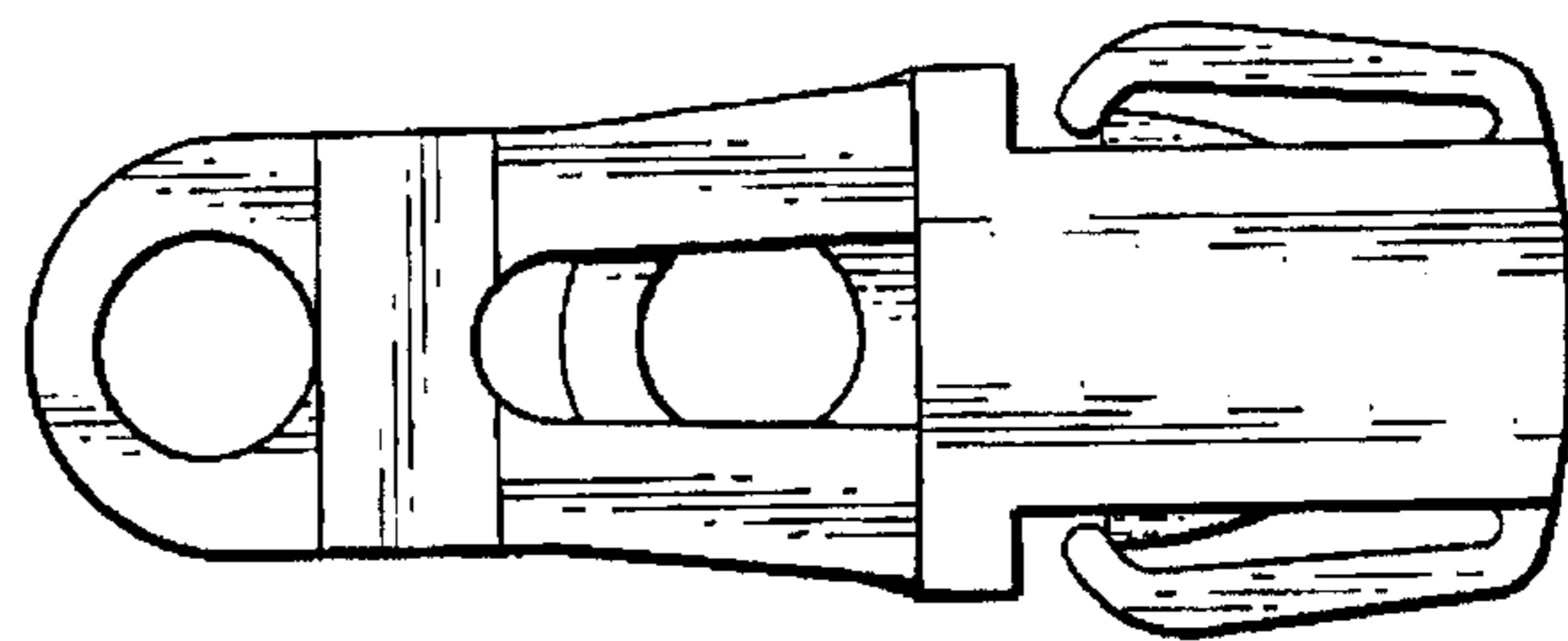


Fig. 2

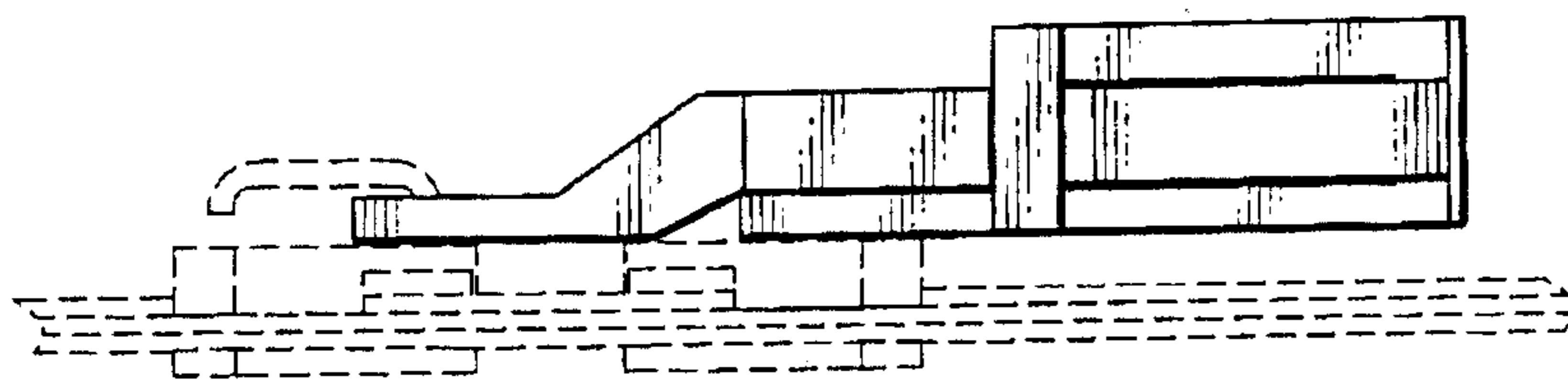


Fig. 3

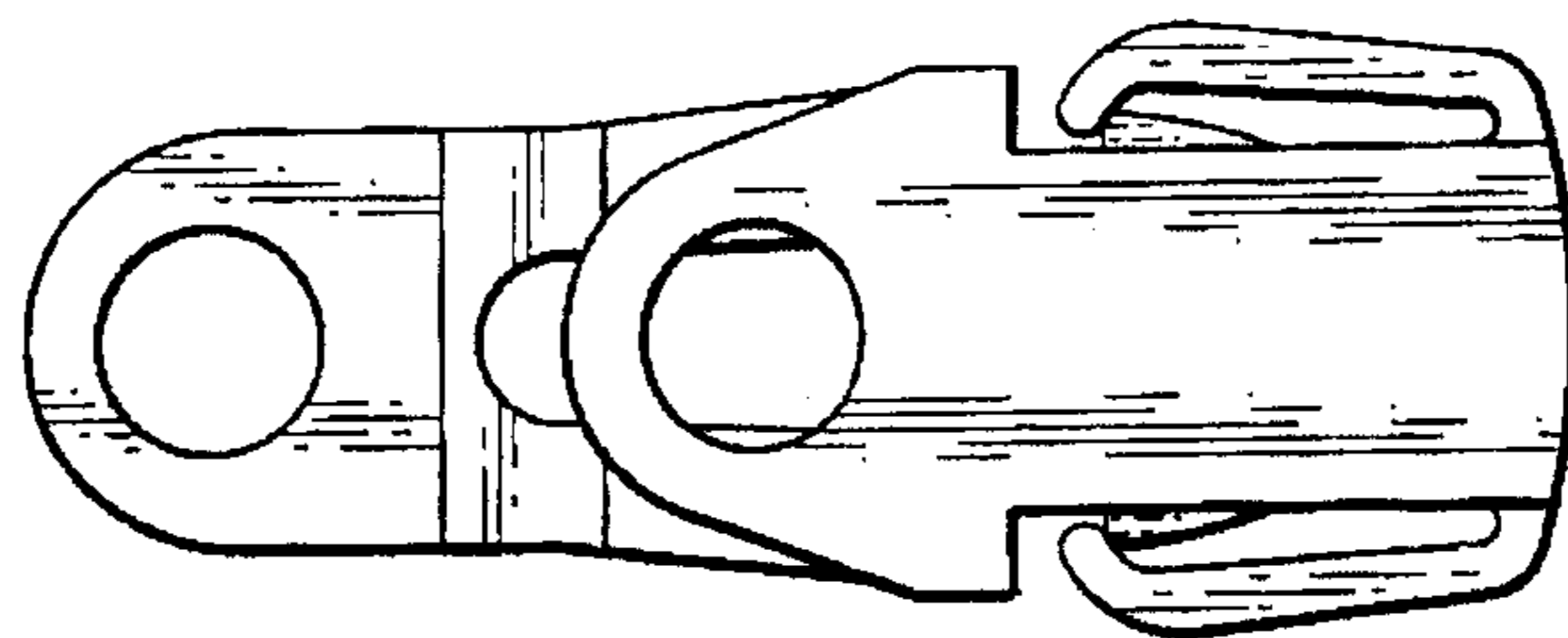


Fig. 4



Fig. 5



Fig. 6



Fig. 11

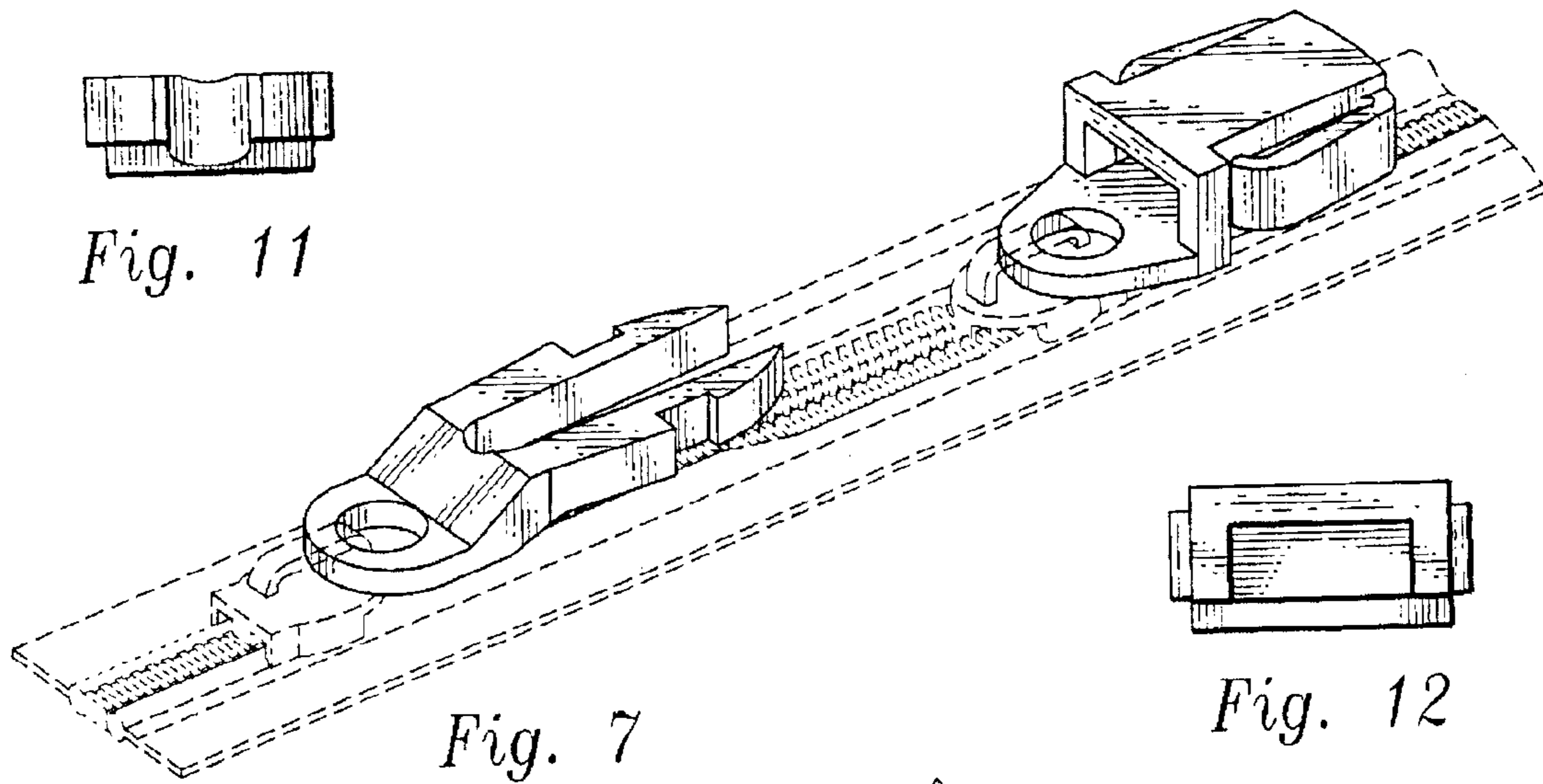


Fig. 7

Fig. 12

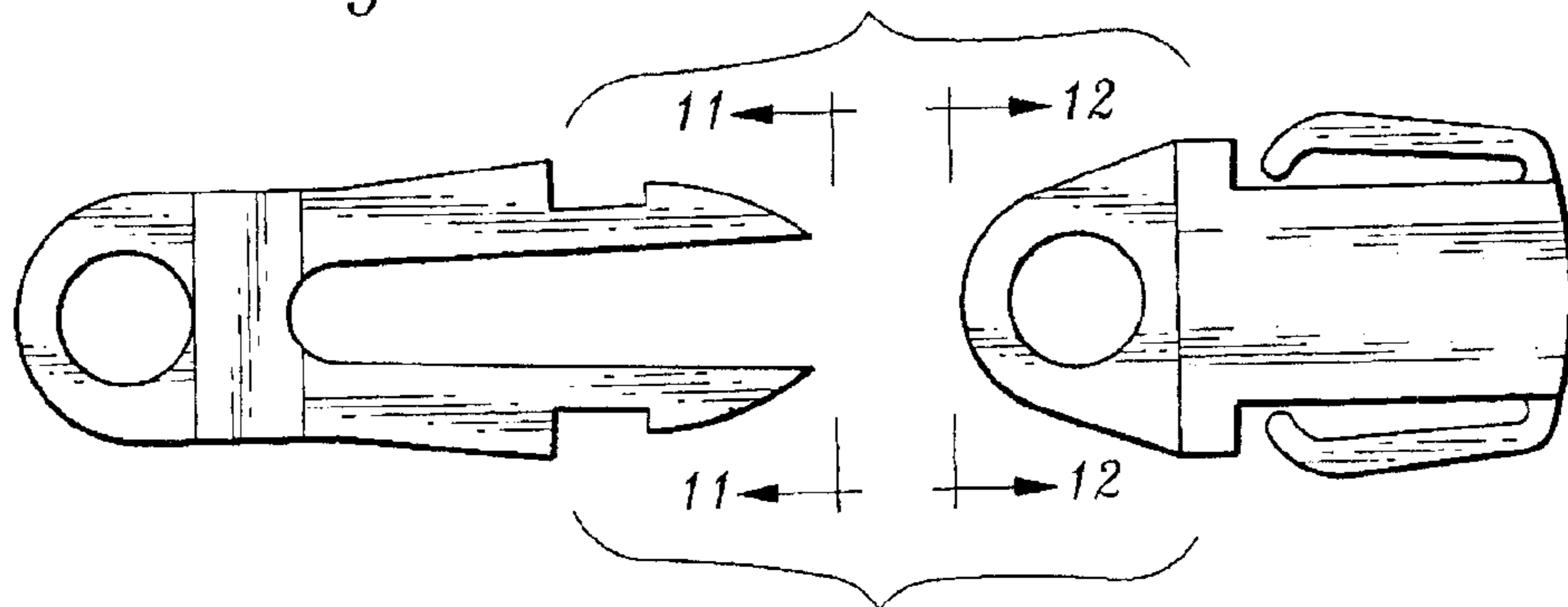


Fig. 8

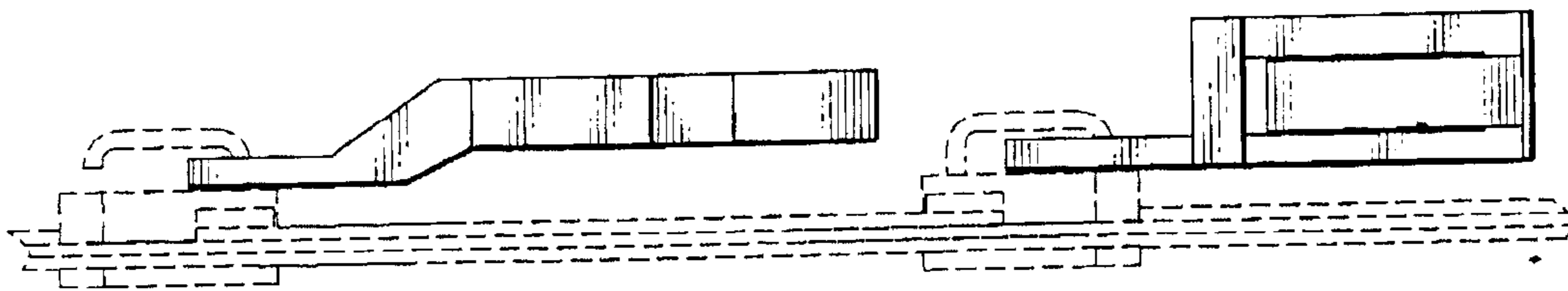


Fig. 9

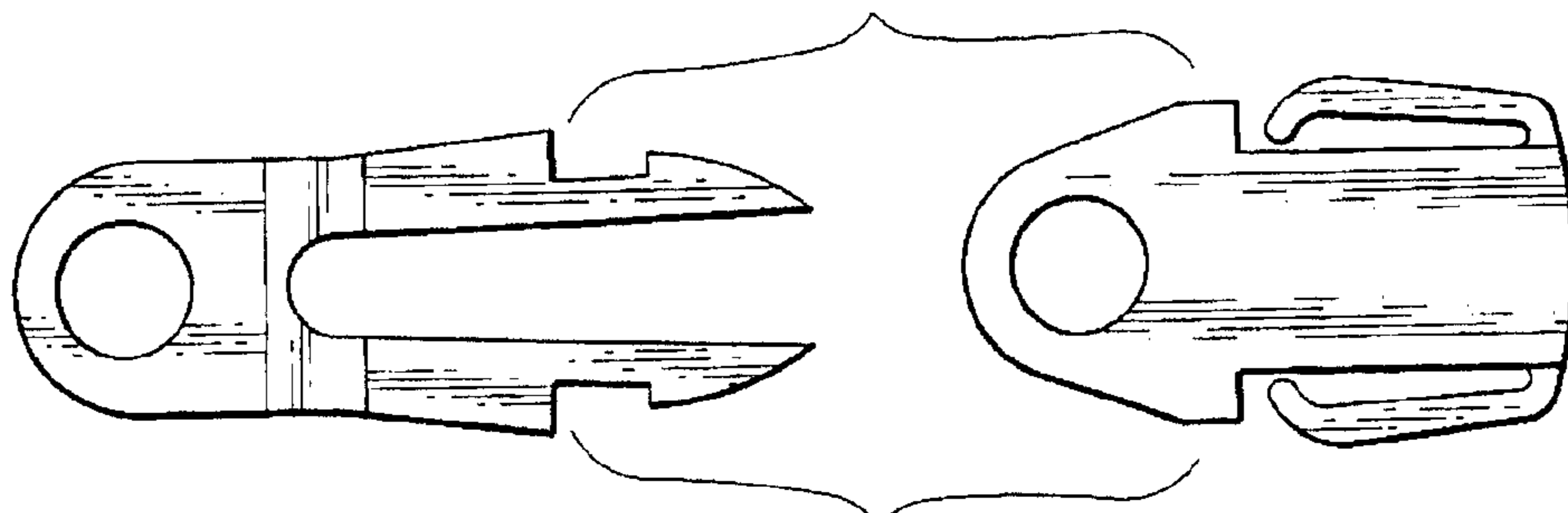


Fig. 10

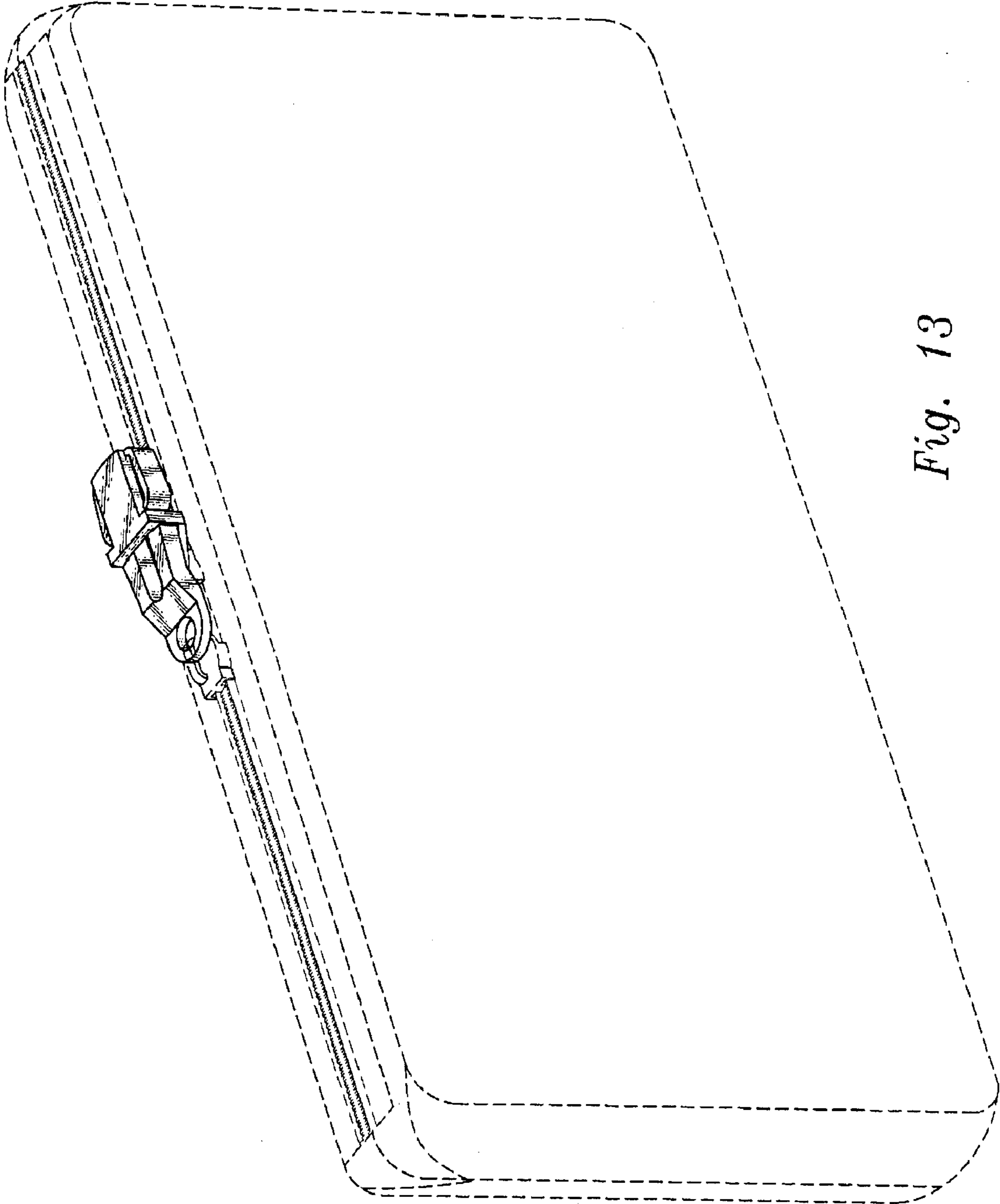


Fig. 13