

US00D526920S

(12) **United States Design Patent**
Kagan et al.

(10) **Patent No.:** **US D526,920 S**

(45) **Date of Patent:** **** Aug. 22, 2006**

(54) **ELECTRONIC METER**

(75) Inventors: **Erran Kagan**, Great Neck, NY (US);
Avi Cohen, Great Neck, NY (US)

(73) Assignee: **Electro Industries/Gauge Tech**,
Westbury, NY (US)

(**) Term: **14 Years**

(21) Appl. No.: **29/234,005**

(22) Filed: **Jul. 12, 2005**

(51) **LOC (8) Cl.** **10-04**

(52) **U.S. Cl.** **D10/99**

(58) **Field of Classification Search** D10/99,
D10/100; 324/74, 142; 340/870.02; 702/61

See application file for complete search history.

(56) **References Cited**

U.S. PATENT DOCUMENTS

D332,923 S * 2/1993 Polydoris et al. D10/100

* cited by examiner

Primary Examiner—Antoine D. Davis

(74) *Attorney, Agent, or Firm*—Michael J. Porco

(57) **CLAIM**

The ornamental design for an electronic meter, as shown and described.

DESCRIPTION

FIG. 1 is a perspective view of the electronic meter showing the new design;

FIG. 2 is a back view thereof;

FIG. 3 is a front view thereof;

FIG. 4 is a bottom view of thereof;

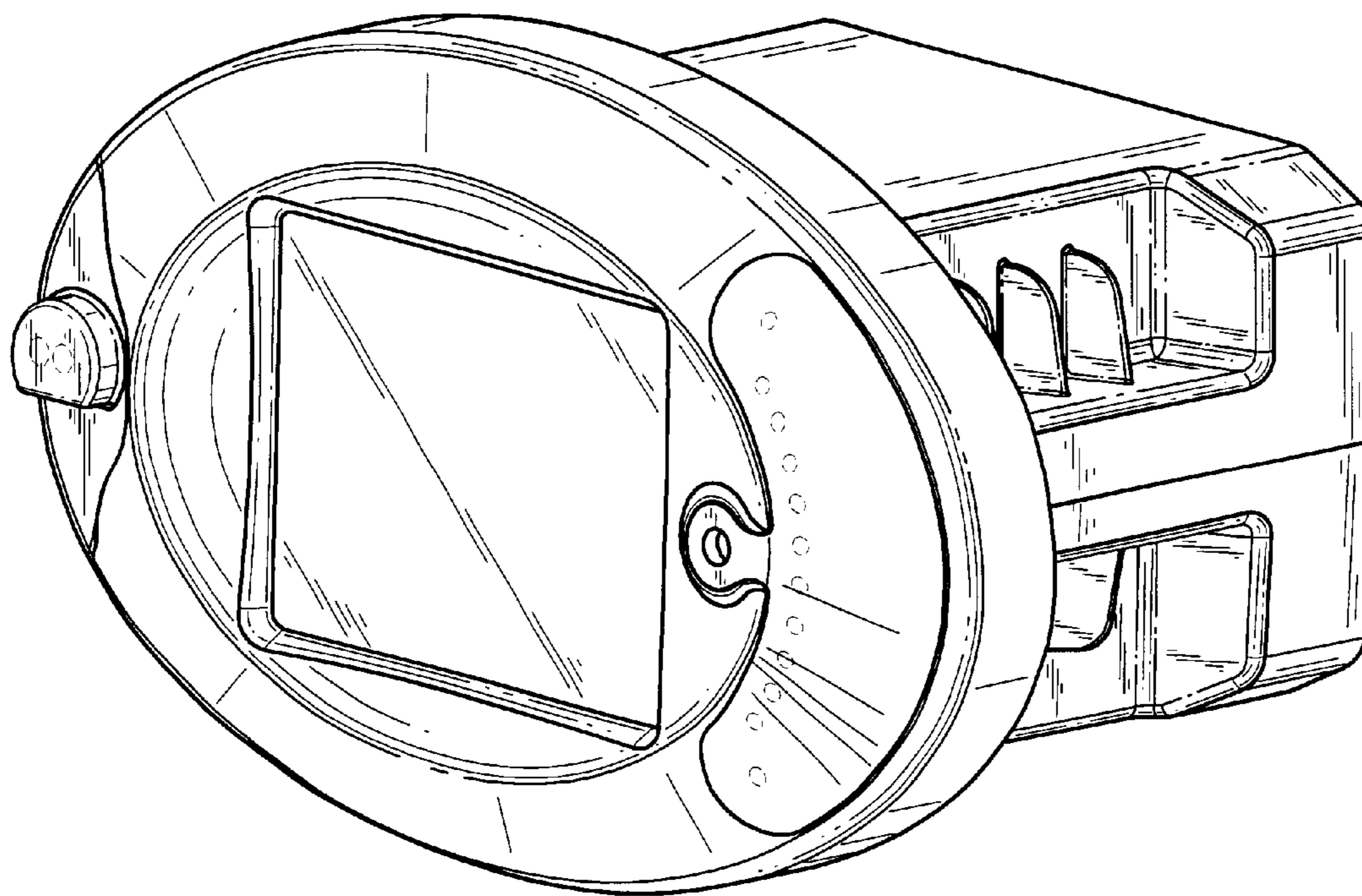
FIG. 5 is a top view of thereof;

FIG. 6 is a side view of one side thereof; and,

FIG. 7 is a side view of another side thereof.

The broken lines showing in FIGS. 1–7 are for illustrative purposes only and form no part of the claimed design.

1 Claim, 4 Drawing Sheets



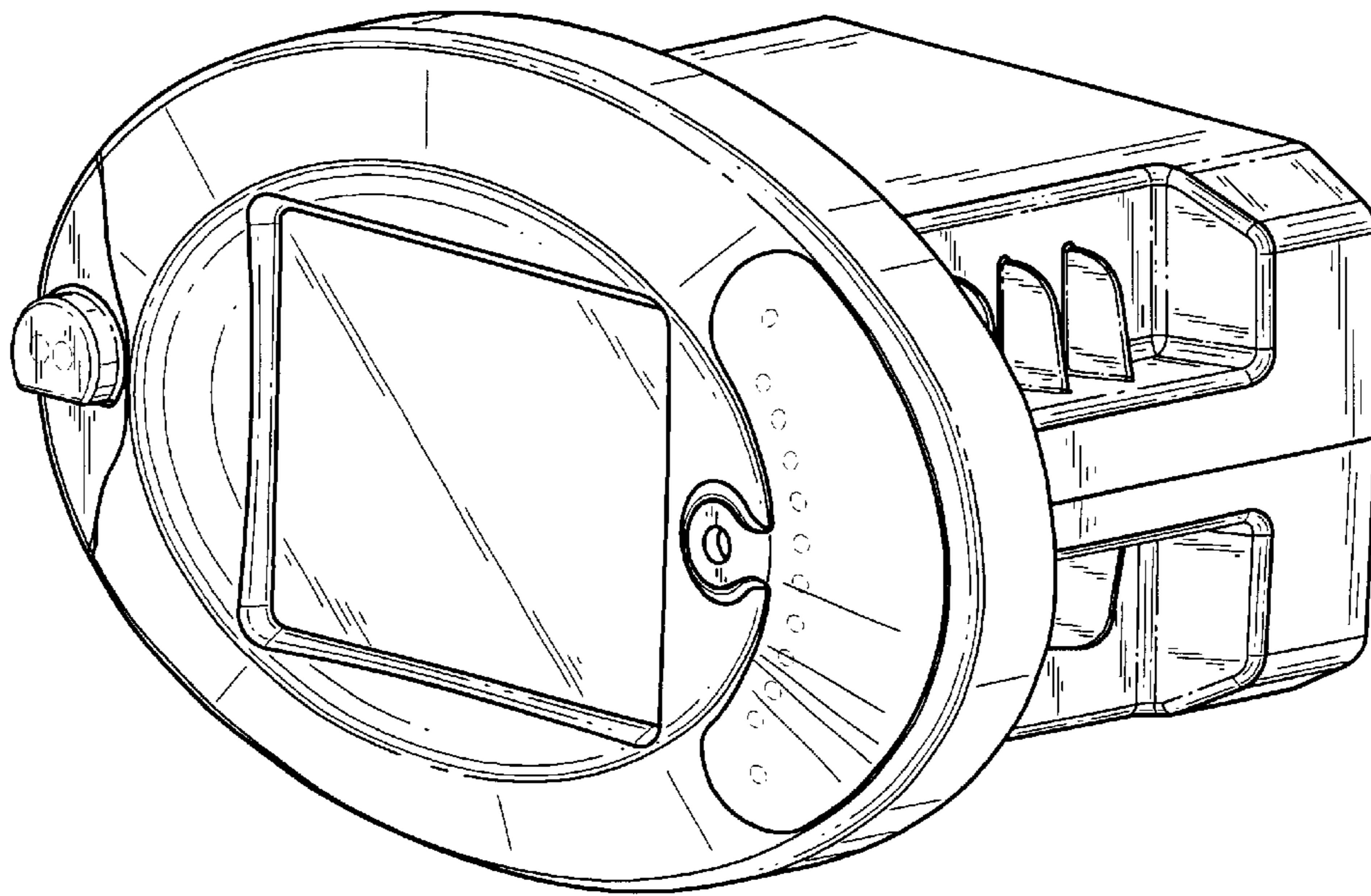


FIG. 1

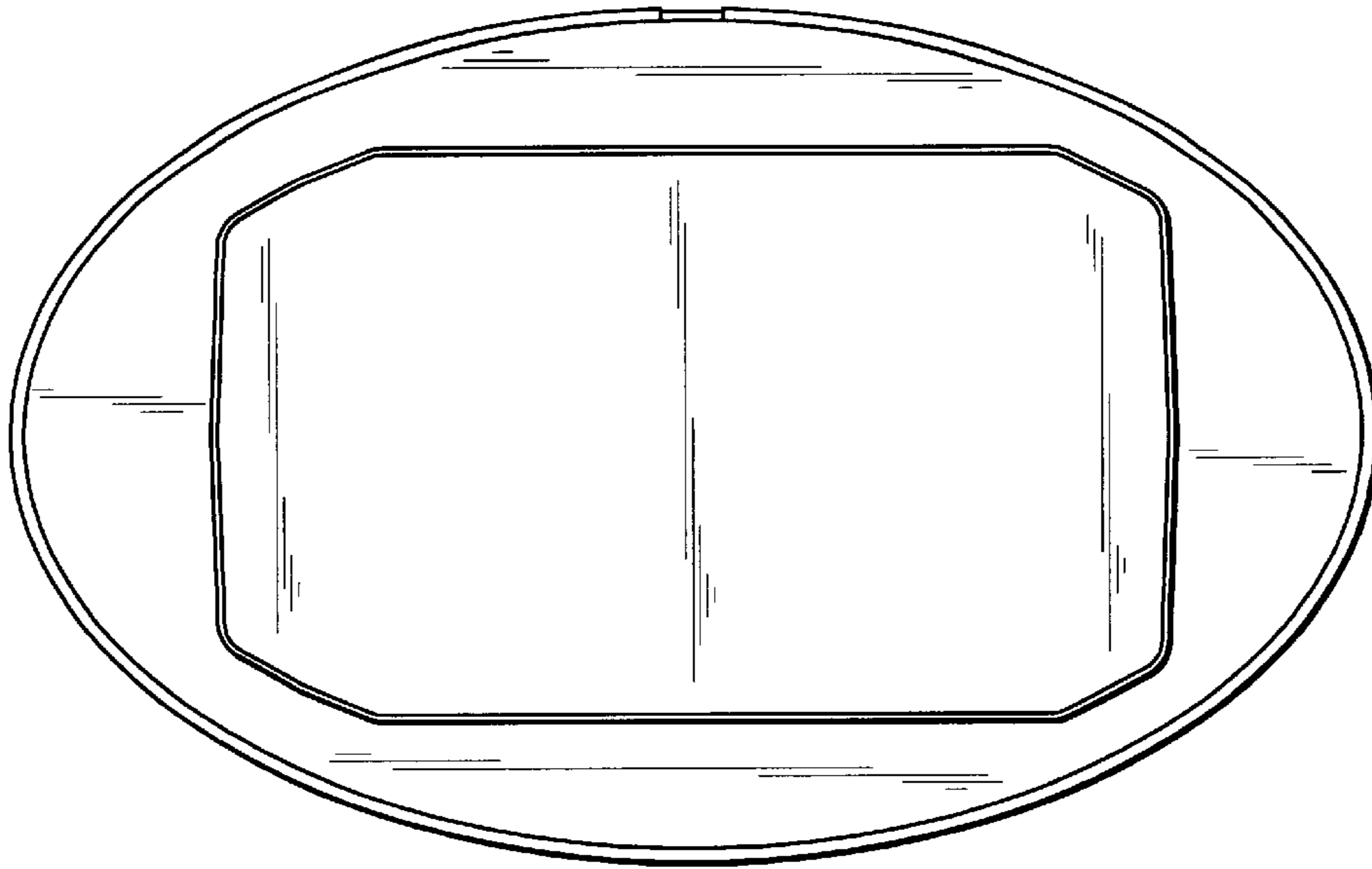


FIG. 2

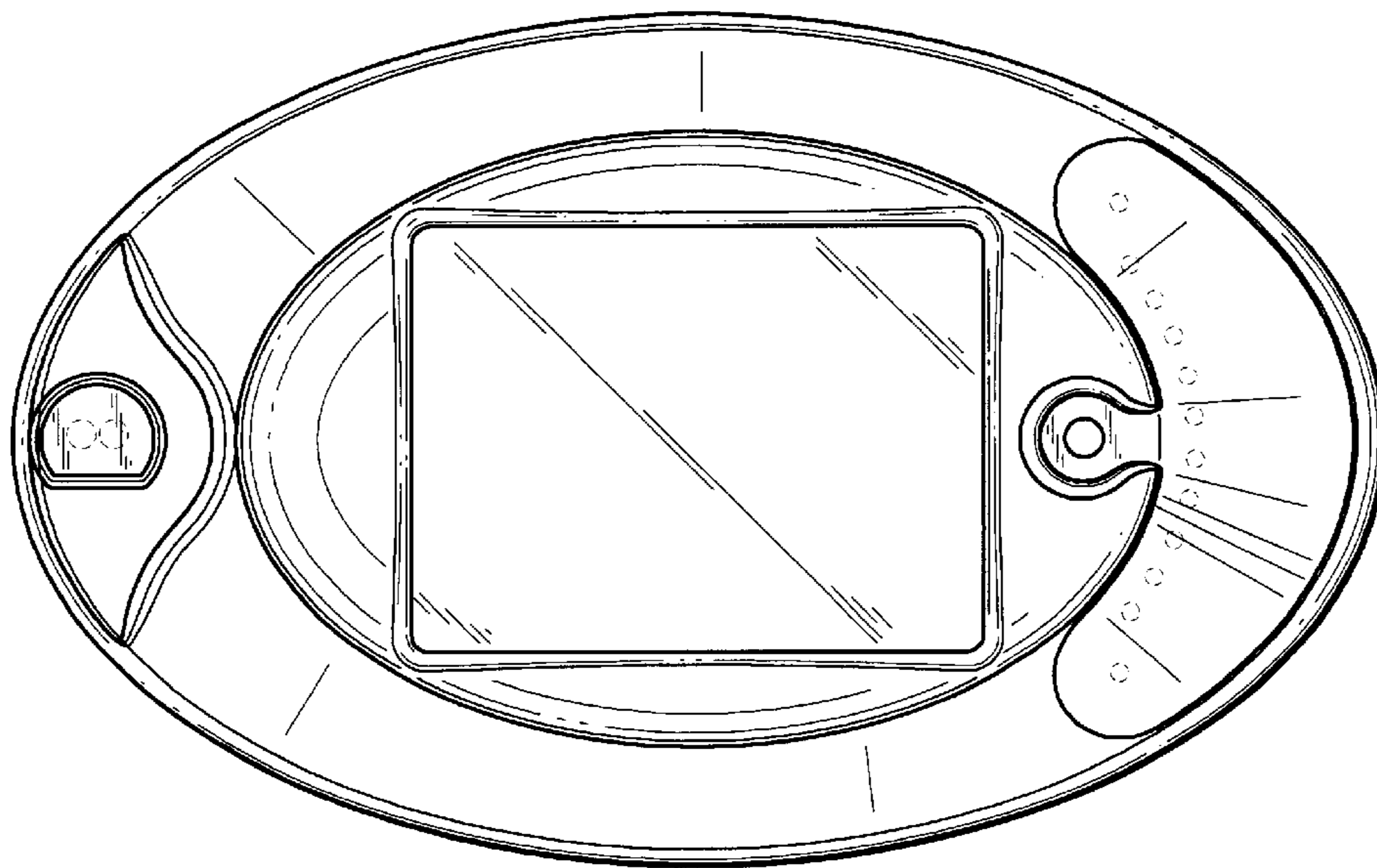


FIG. 3

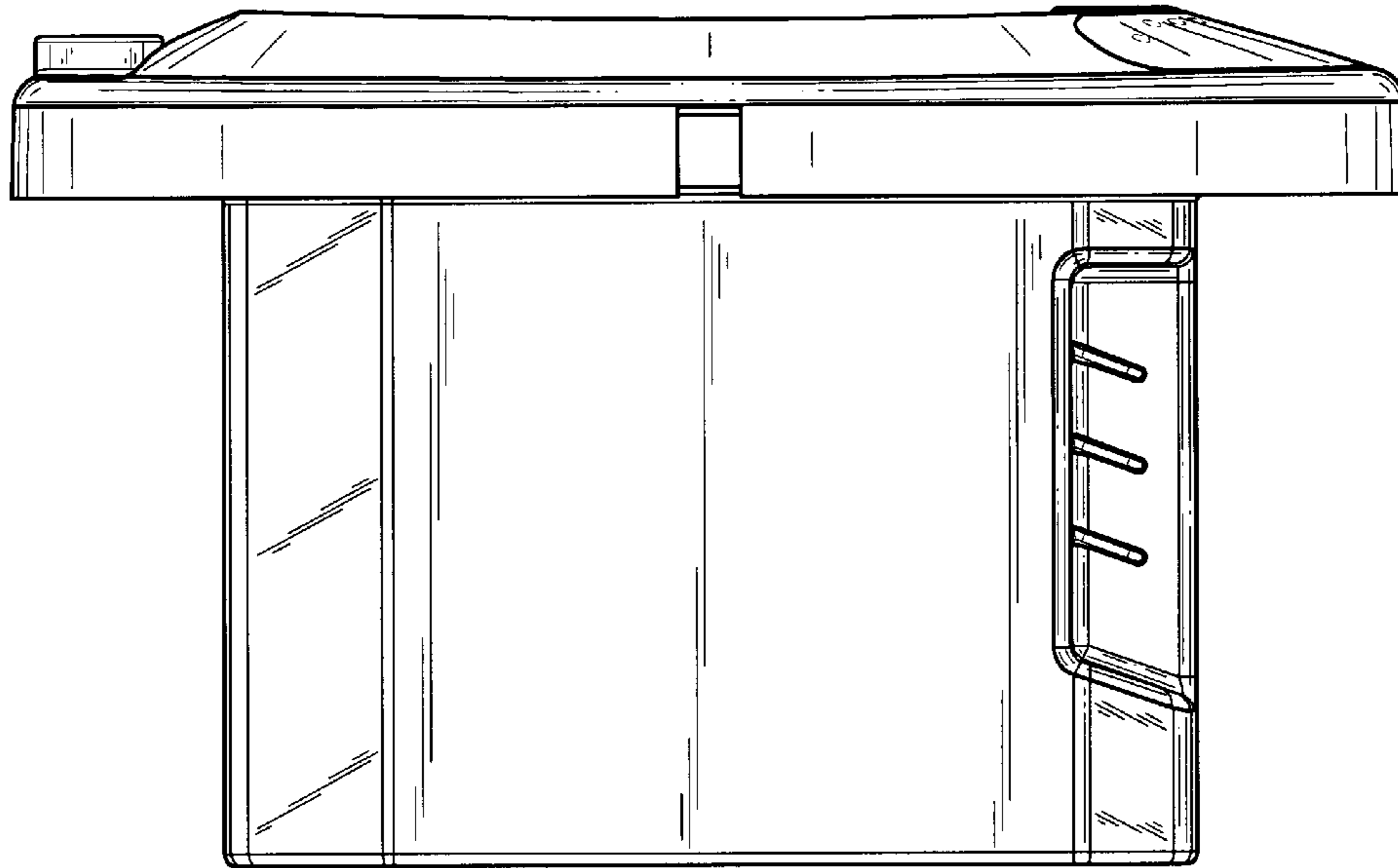


FIG. 4



FIG. 5

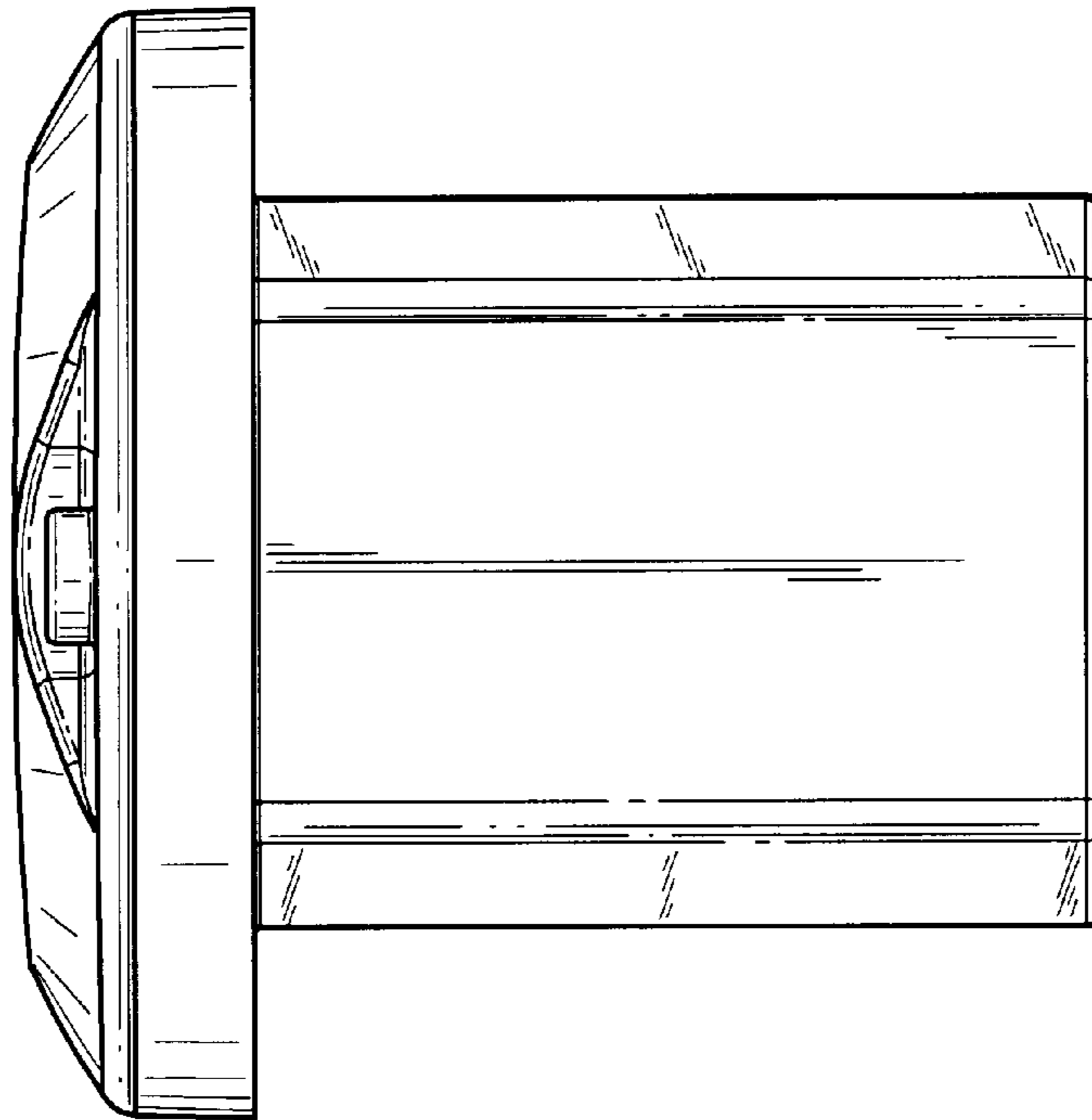


FIG. 6

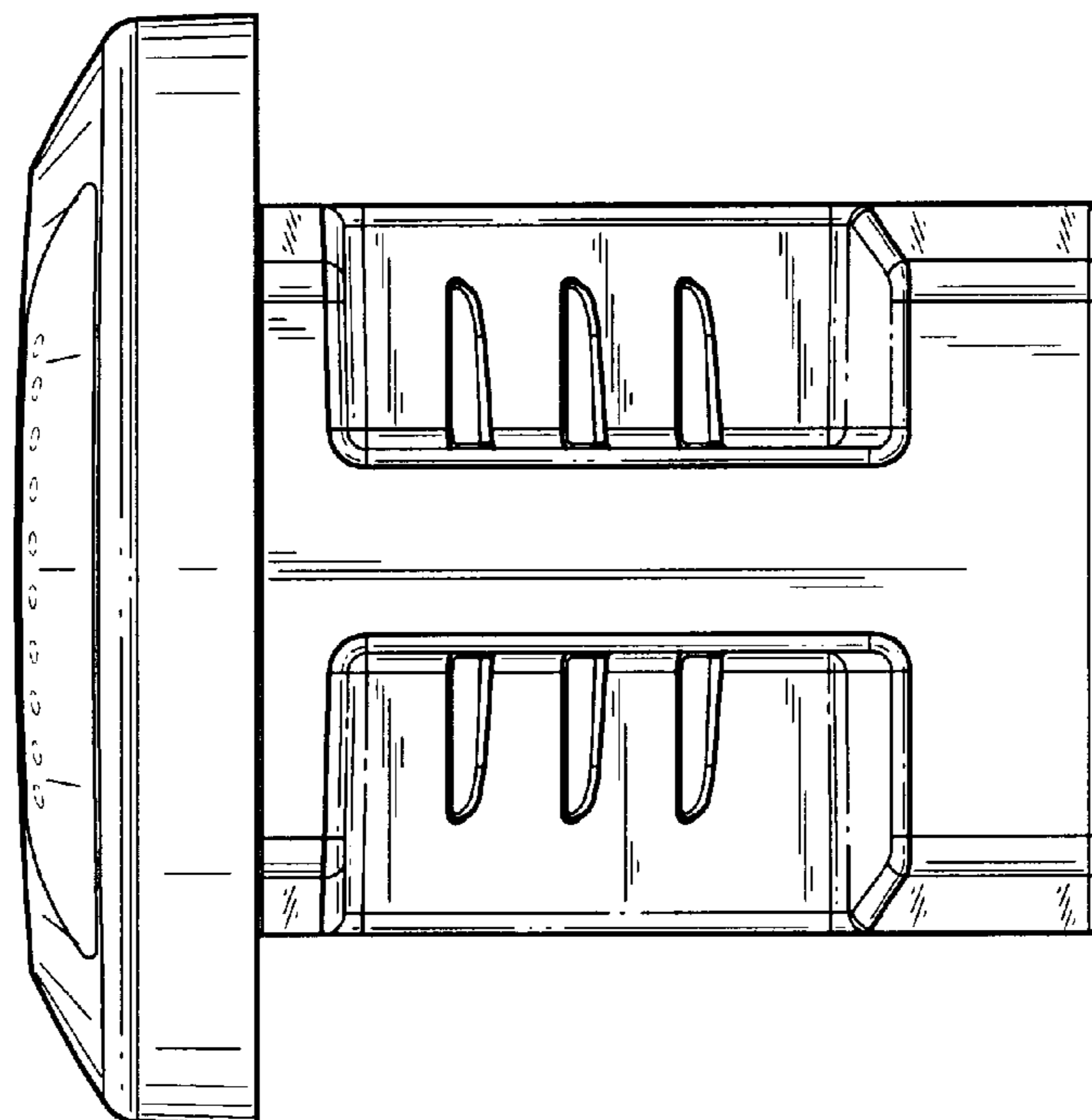


FIG. 7