



US00D526918S

(12) **United States Design Patent** (10) **Patent No.:** **US D526,918 S**
Barmes et al. (45) **Date of Patent:** **** Aug. 22, 2006**

(54) **SCALE**

(75) Inventors: **Gregory P. Barmes**, Vincennes, IN (US); **Dustin P. Barmes**, Vincennes, IN (US)

(73) Assignee: **Gregory P. Barmes et al.**, Vincennes, IN (US)

(**) Term: **14 Years**

(21) Appl. No.: **29/240,241**

(22) Filed: **Oct. 10, 2005**

(51) **LOC (8) Cl.** **10-04**

(52) **U.S. Cl.** **D10/89**

(58) **Field of Classification Search** D10/89;
177/131, 148, 232, 233, 235, 238, 243, 225,
177/25.13

See application file for complete search history.

(56) **References Cited**

U.S. PATENT DOCUMENTS

D409,106 S	*	5/1999	Stanfield et al.	D10/89
D475,308 S	*	6/2003	Muller et al.	D10/89
6,696,650 B1	*	2/2004	Muller et al.	177/148
6,854,975 B1		2/2005	Ranzinger		
D502,657 S	*	3/2005	Liao	D10/89

* cited by examiner

Primary Examiner—Antoine D. Davis

(74) *Attorney, Agent, or Firm*—Brinks Hofer Gilson Lione

(57) **CLAIM**

The ornamental design for a scale, as shown and described.

DESCRIPTION

FIG. 1 is a front elevation view of a scale of the present invention with a handle shown in a “closed” position.

FIG. 2 is a front elevation view of the scale shown in FIG. 1 with the handle in an “open” position.

FIG. 3 is a side elevation view of the scale as viewed from the left side of FIG. 1, the opposite side being a mirror image thereof.

FIG. 4 is a side elevation view of the scale taken from the left side of FIG. 2, the opposite side being a mirror image thereof.

FIG. 5 is a top plan view of the scale as seen from the top of FIGS. 1 or 2.

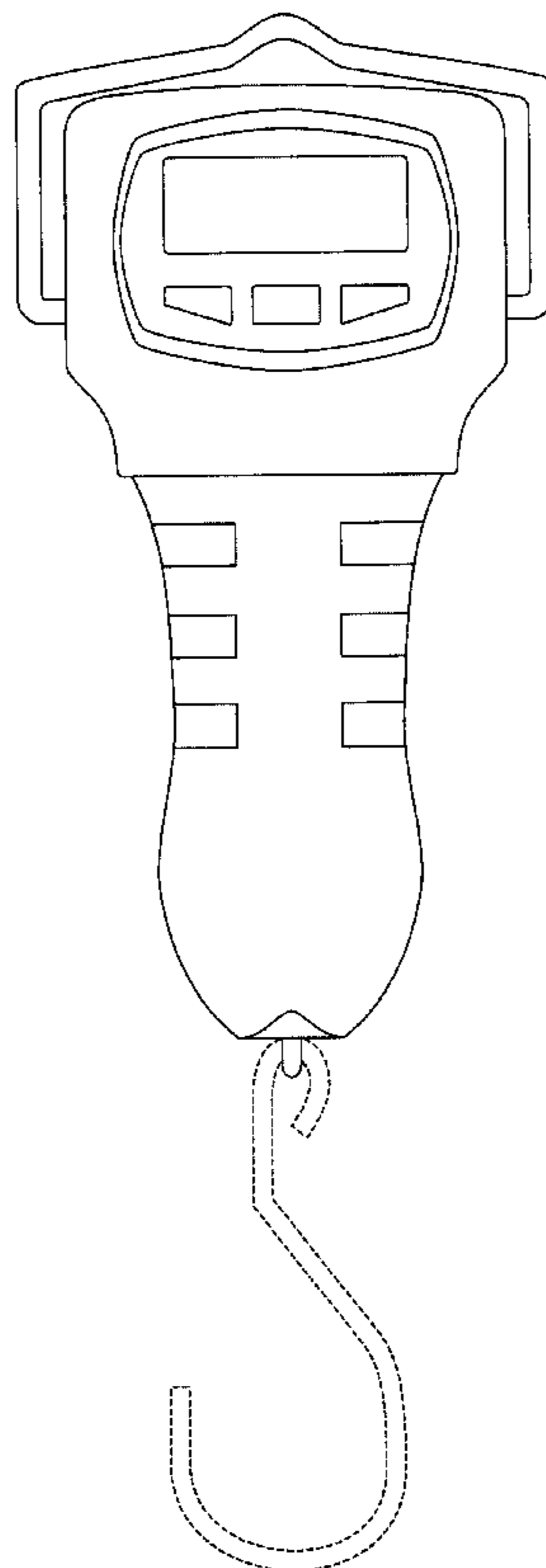
FIG. 6 is a bottom plan view of the scale as seen from the bottom of FIGS. 1 or 2.

FIG. 7 is a back elevation view of the scale as shown in FIG. 1 ; and,

FIG. 8 is a back elevation view of the scale as shown in FIG. 2.

The broken lines shown in the drawings are for illustrative purposes only and form no part of the claimed design.

1 Claim, 6 Drawing Sheets



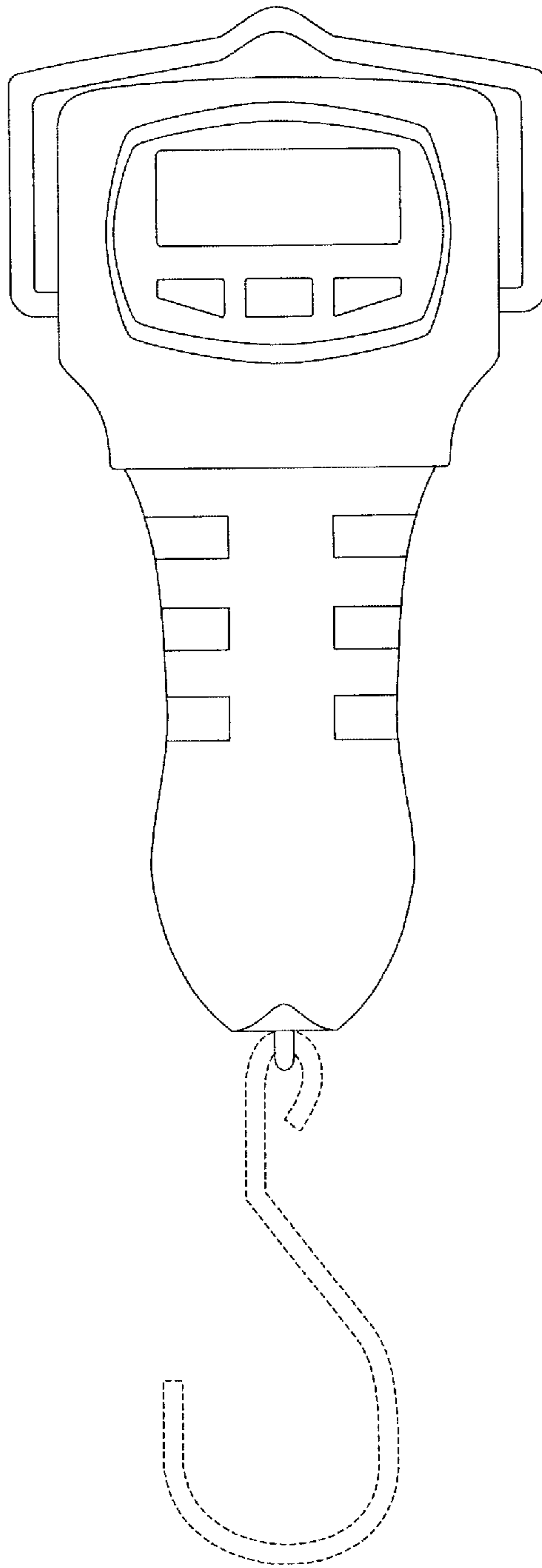


Fig. 1

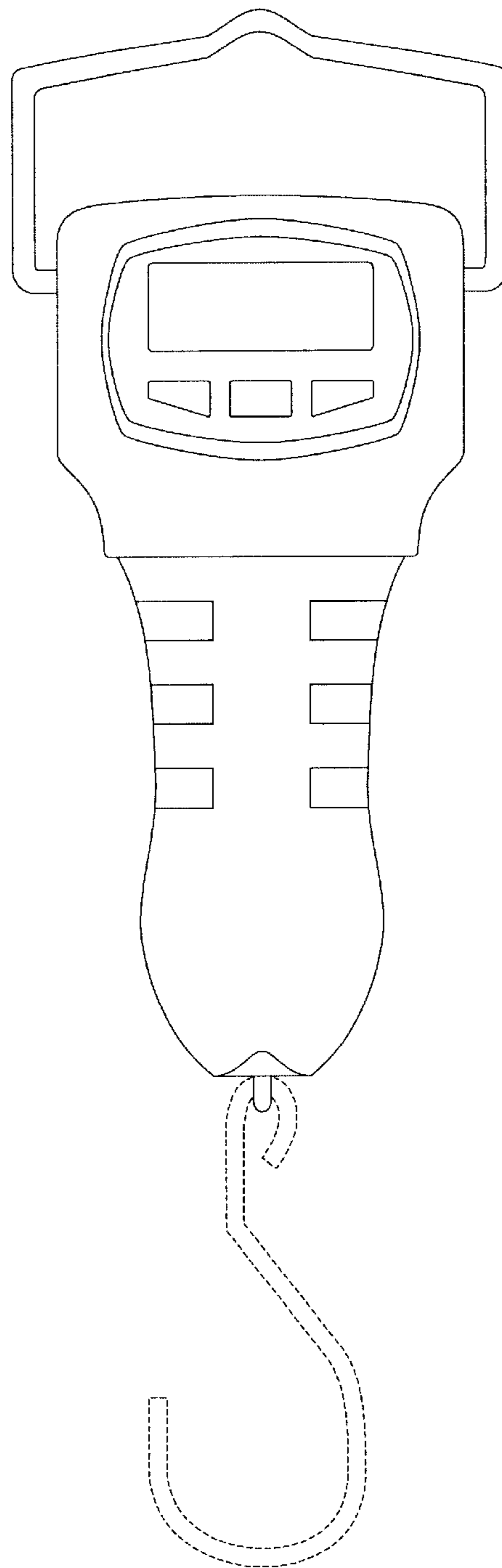


Fig. 2

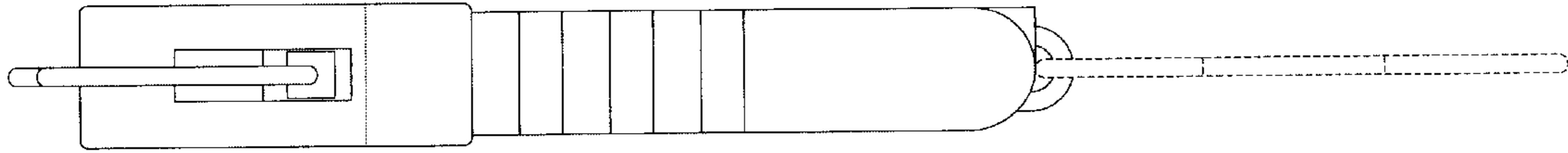


Fig. 3

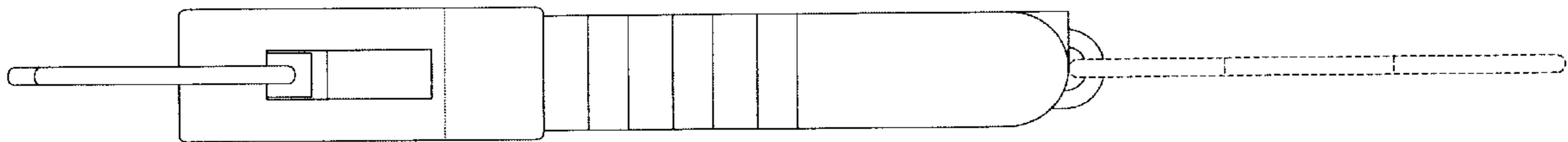


Fig. 4

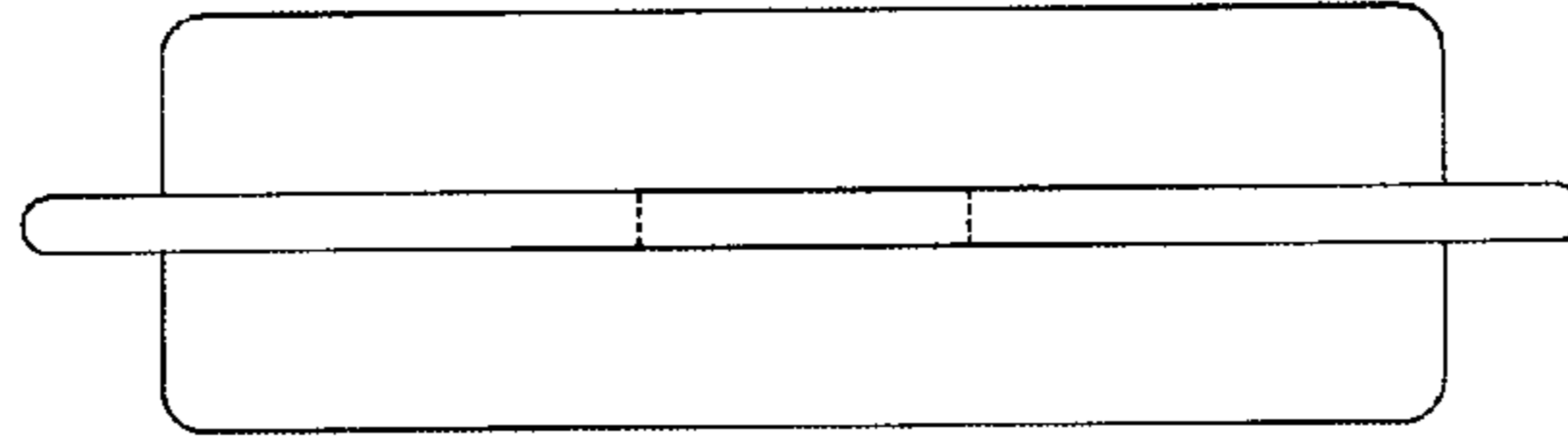


Fig. 5

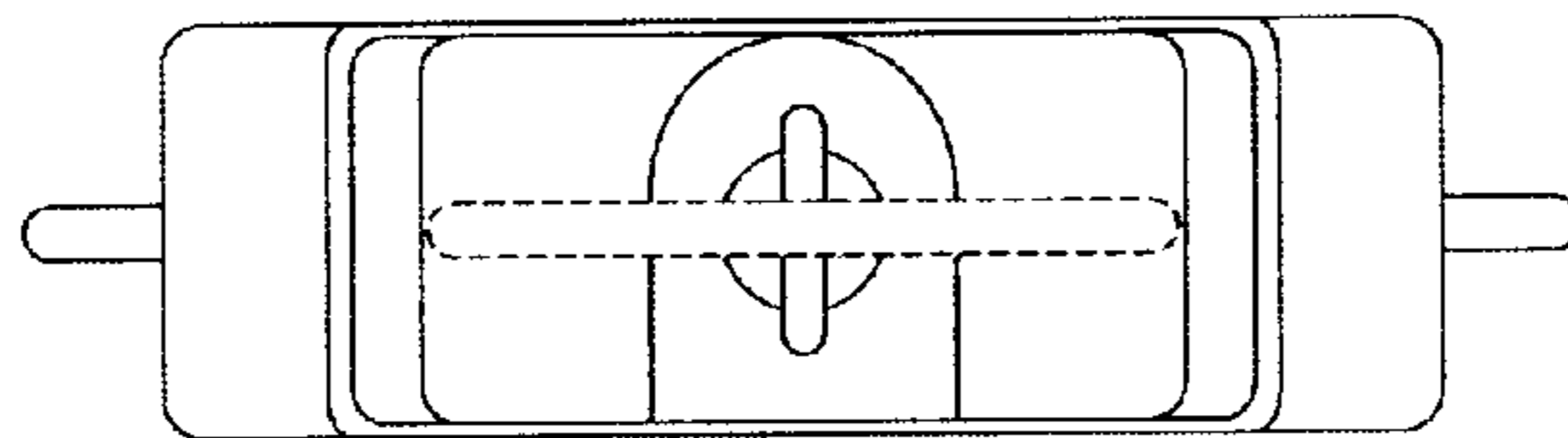


Fig. 6

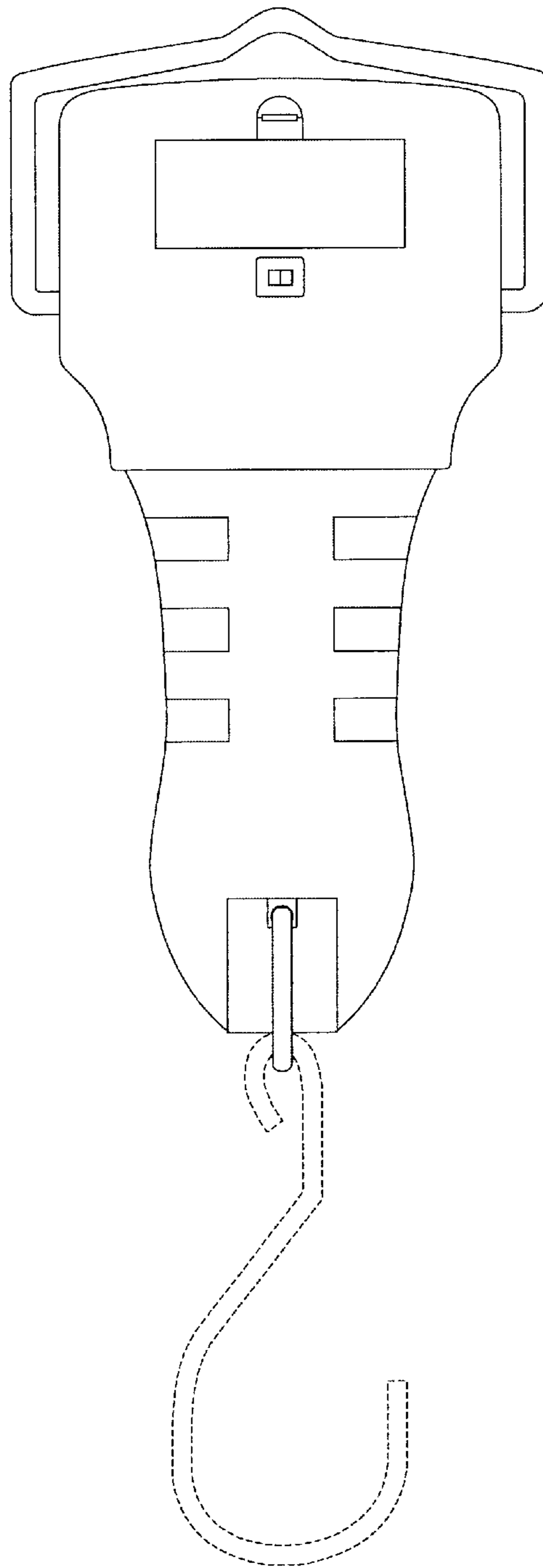


Fig. 7

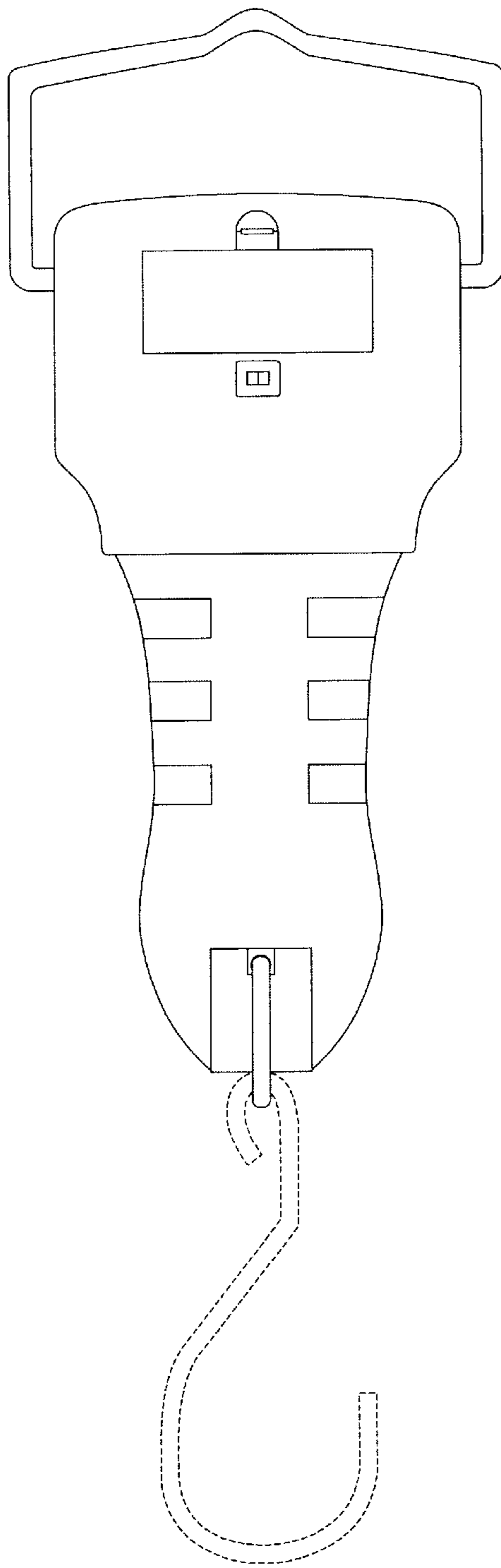


Fig. 8