



US00D526916S

(12) **United States Design Patent**  
**Oas**

(10) **Patent No.:** **US D526,916 S**

(45) **Date of Patent:** **\*\* Aug. 22, 2006**

(54) **PEDOMETER**

(76) **Inventor:** **Daniel Oas**, 6250 No. Irwindale Ave.,  
Irwindale, CA (US) 91702

(\*\*) **Term:** **14 Years**

(21) **Appl. No.:** **29/254,057**

(22) **Filed:** **Feb. 15, 2006**

(51) **LOC (8) Cl.** ..... **10-04**

(52) **U.S. Cl.** ..... **D10/70**

(58) **Field of Classification Search** ..... D10/70,  
D10/97, 98; 235/95 C, 105; 377/5, 24.2,  
377/26; 702/144, 160, 176

See application file for complete search history.

(56) **References Cited**

**U.S. PATENT DOCUMENTS**

6,836,524 B1 \* 12/2004 Lee ..... 377/24.2

\* cited by examiner

*Primary Examiner*—Antoine D. Davis

(74) *Attorney, Agent, or Firm*—Edgar W. Averill, Jr.;  
Kenneth L. Green

(57) **CLAIM**

The ornamental design for a pedometer, as shown.

**DESCRIPTION**

FIG. 1 is a perspective view showing the top and left side of the pedometer showing my new design.

FIG. 2 is a top view thereof.

FIG. 3 is a front view thereof.

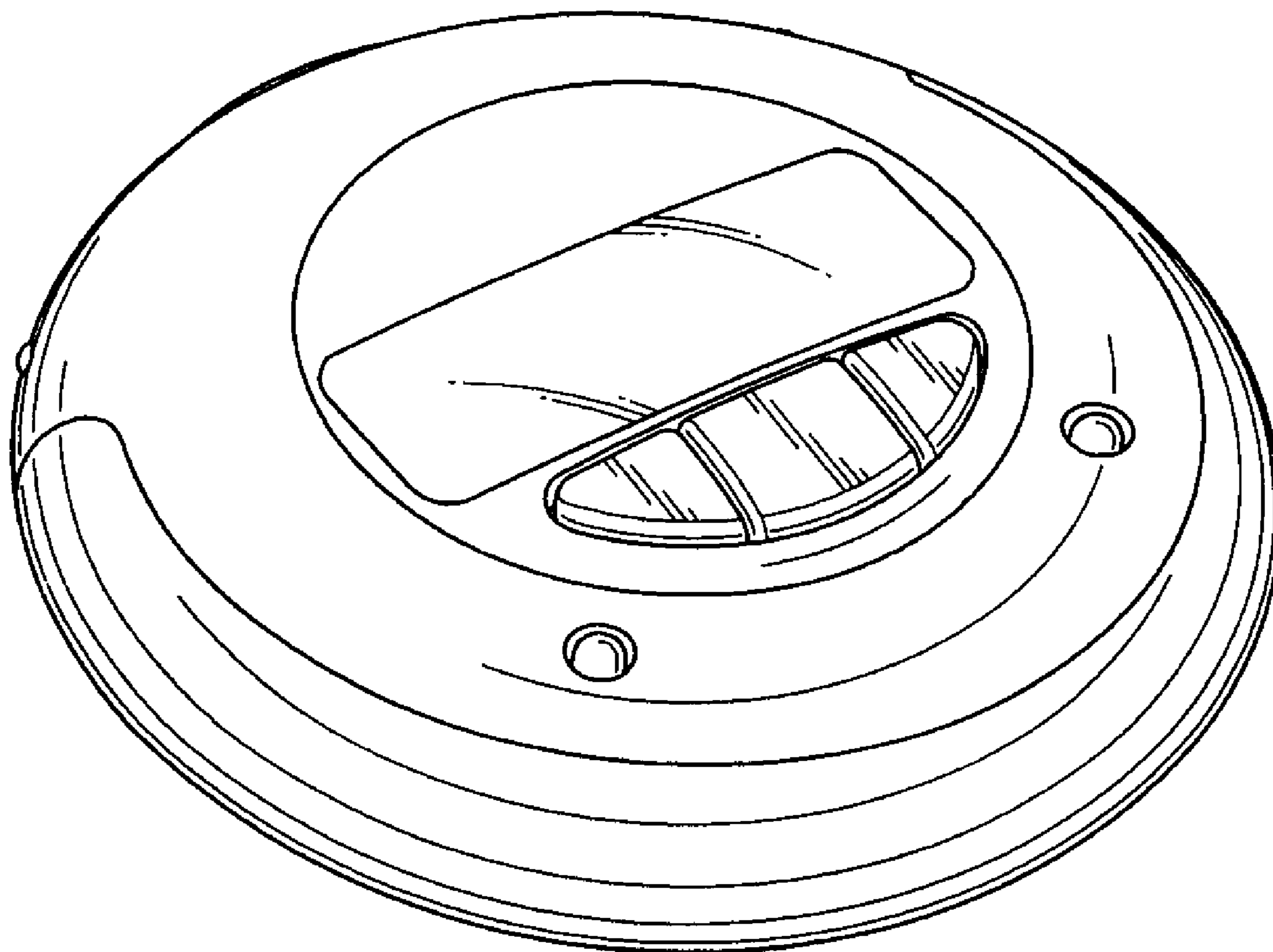
FIG. 4 is a left side view thereof.

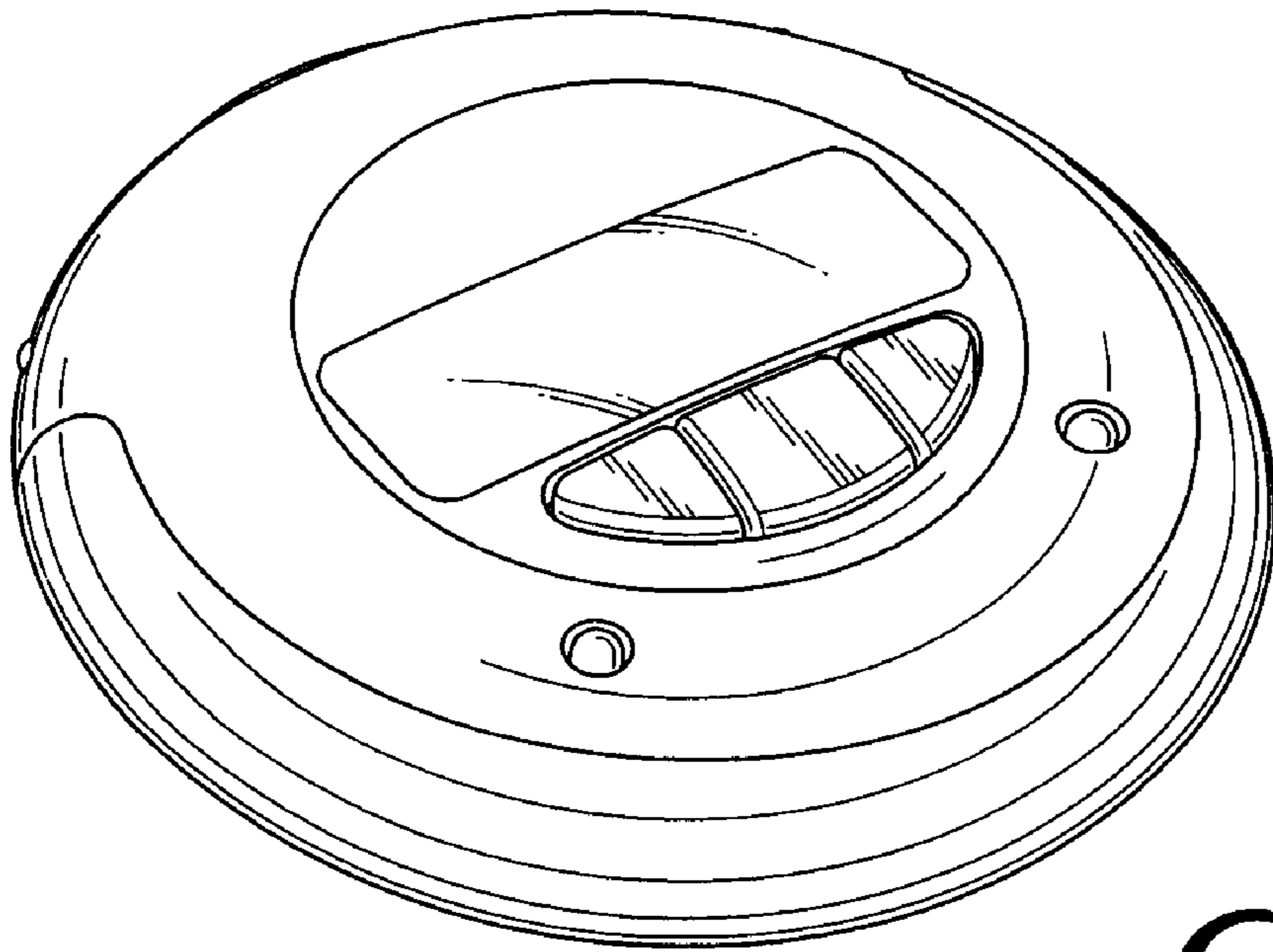
FIG. 5 is a right side view thereof.

FIG. 6 is a rear view thereof; and,

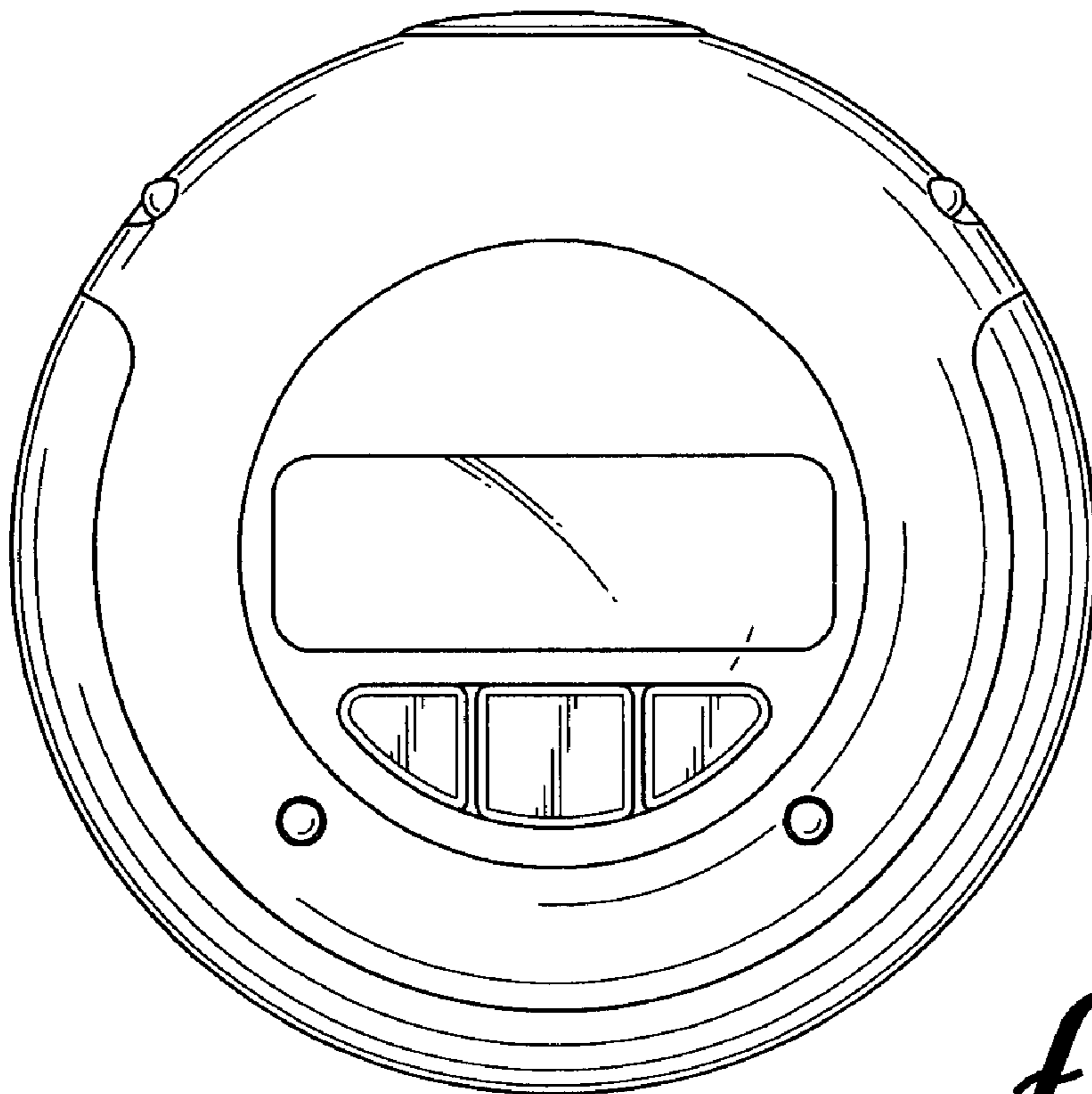
FIG. 7 is a bottom view thereof.

**1 Claim, 3 Drawing Sheets**

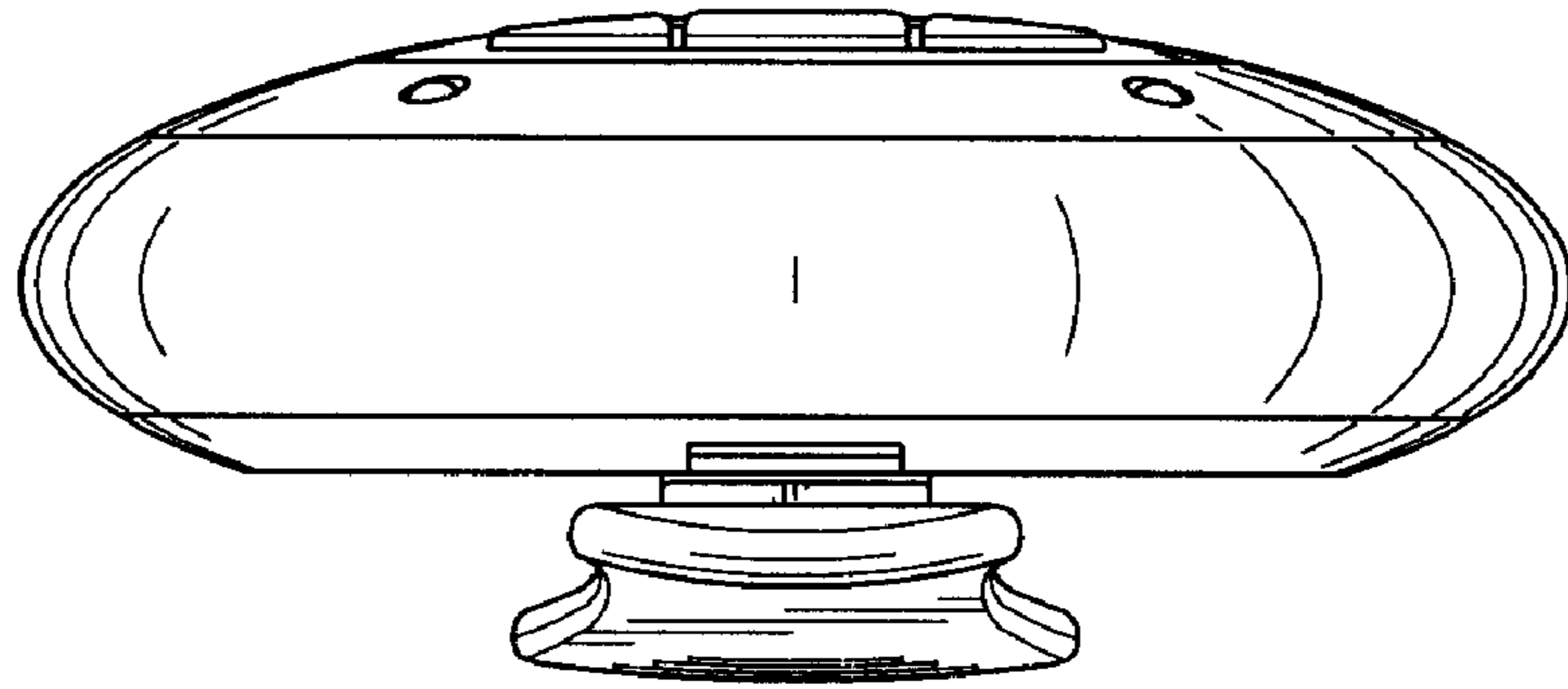




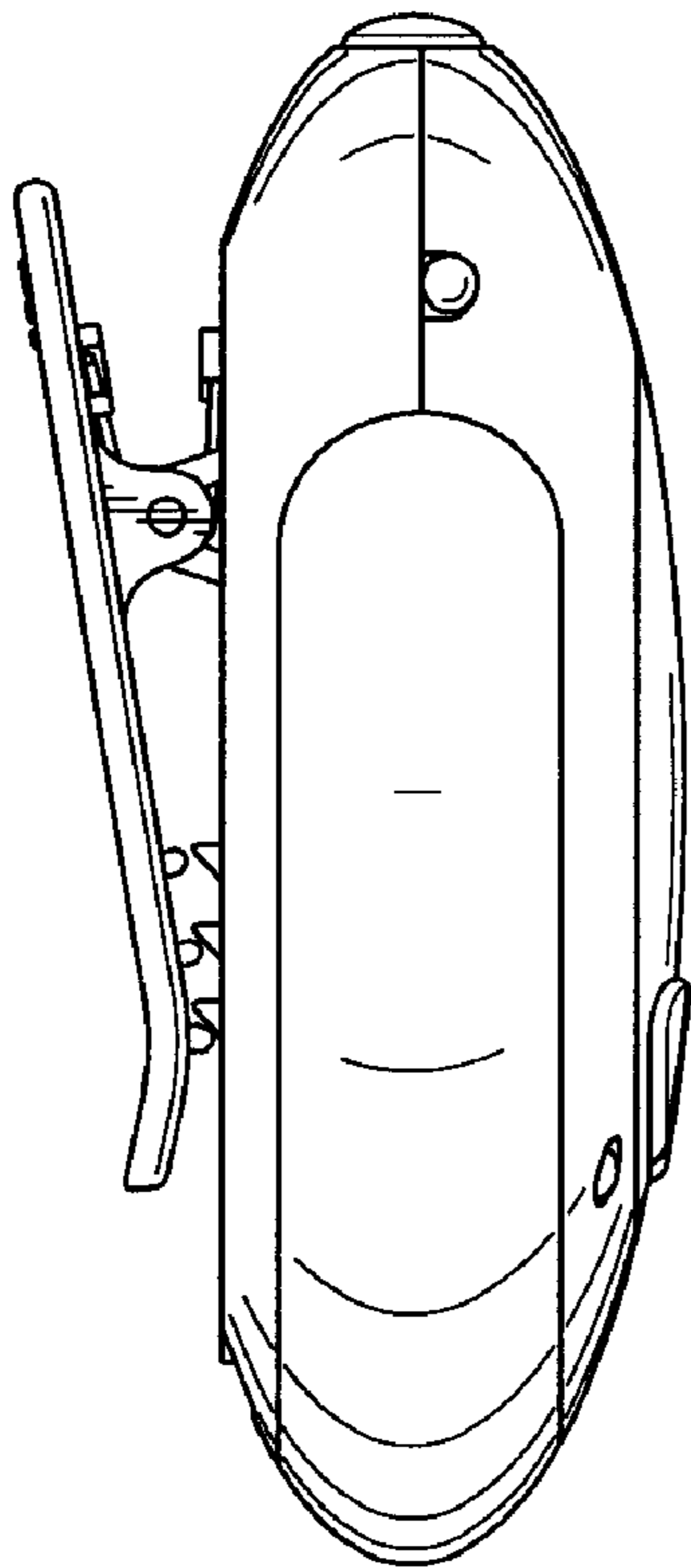
*FIG. 1*



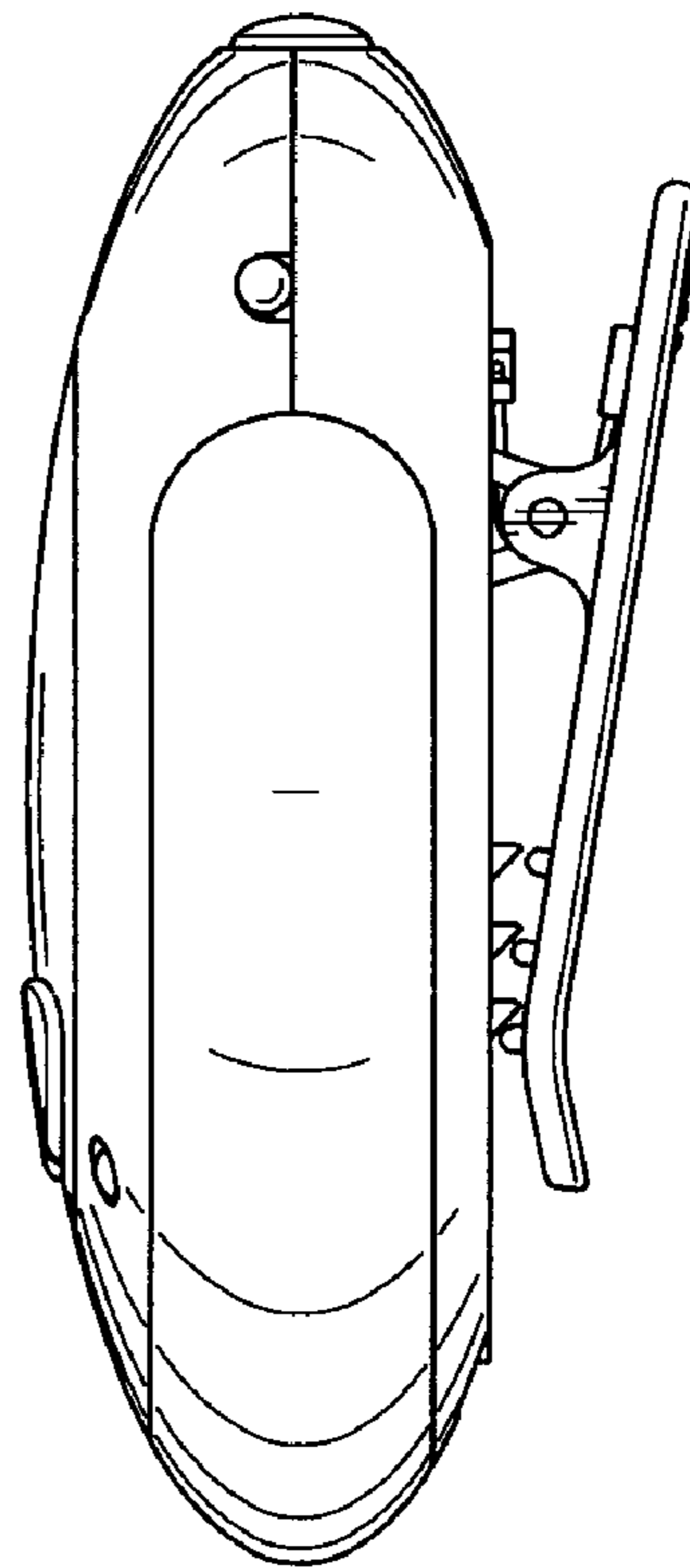
*FIG. 2*



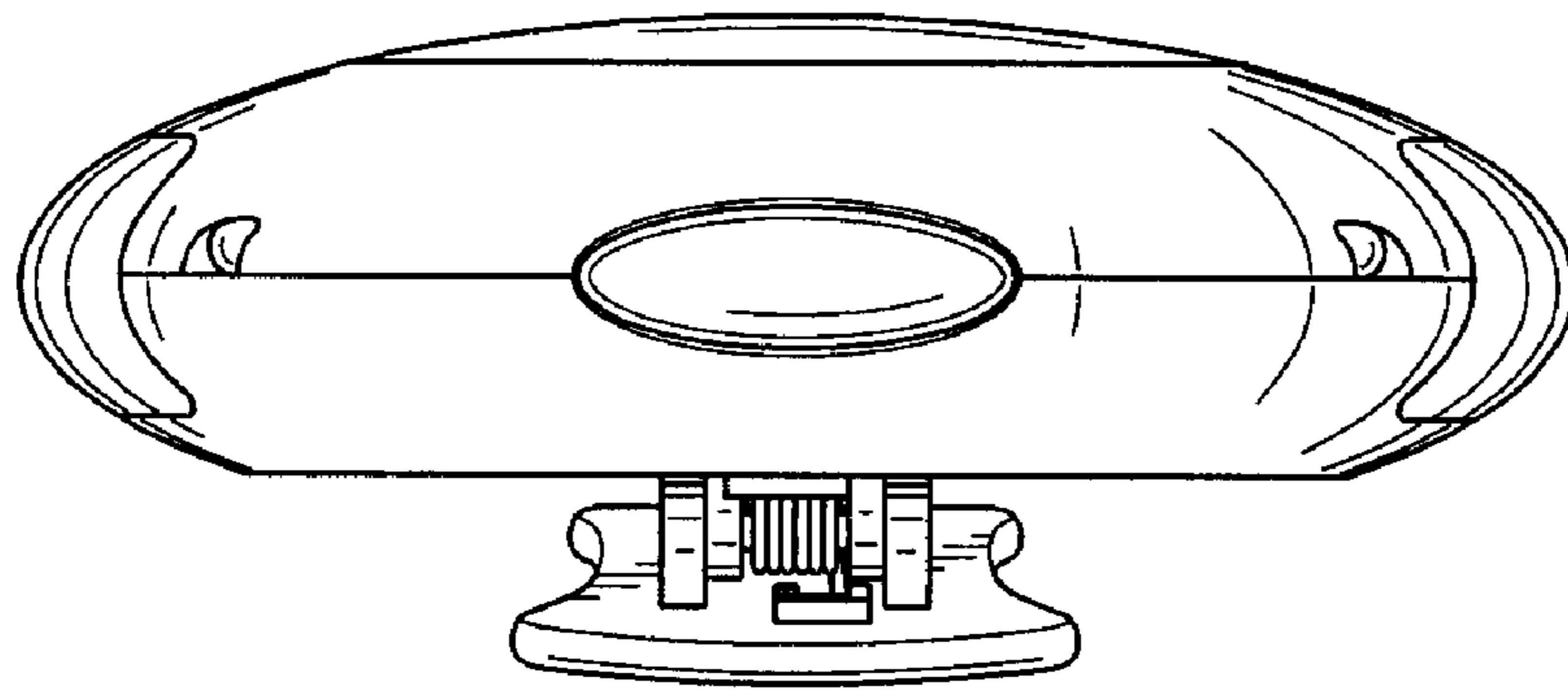
*FIG. 3*



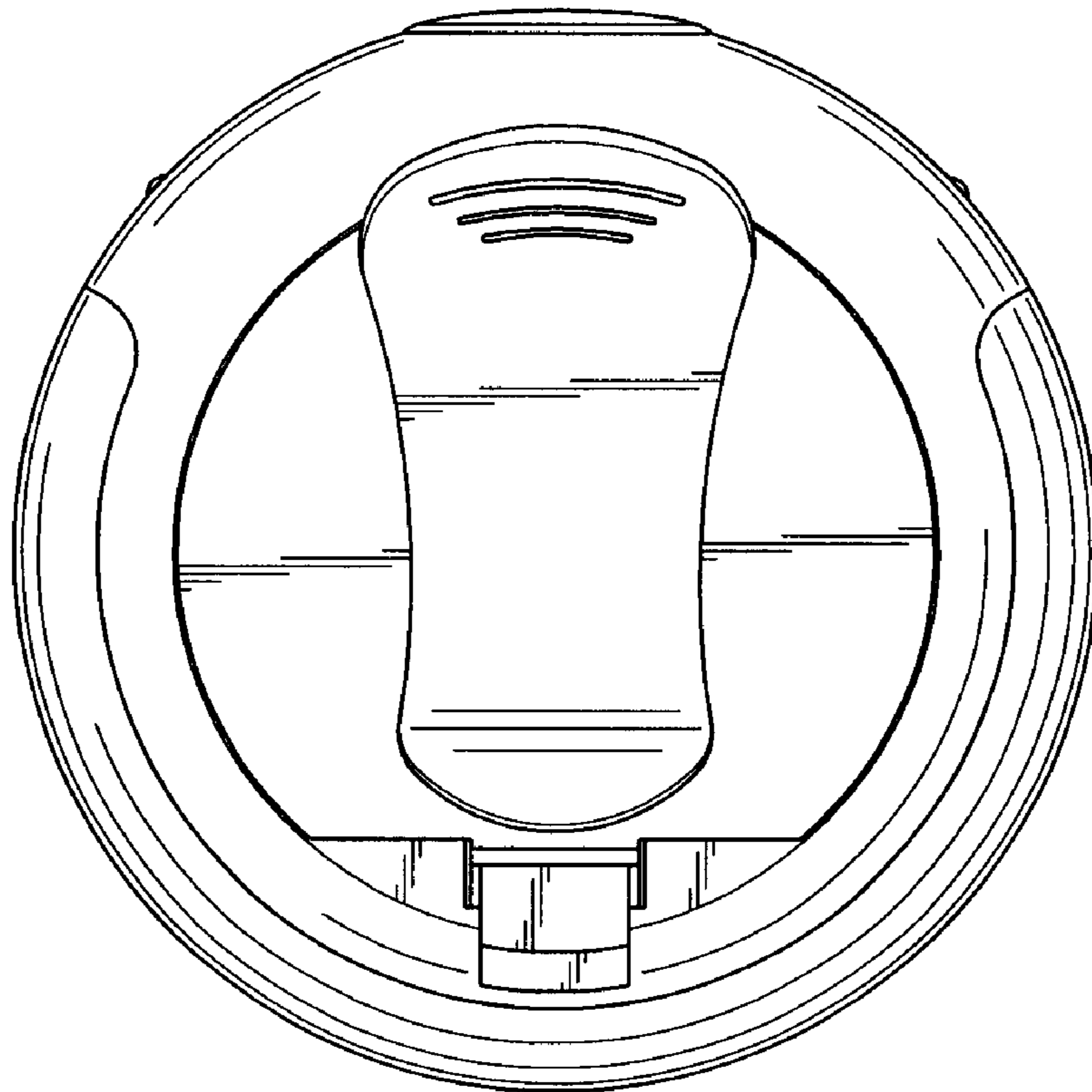
*FIG. 4*



*FIG. 5*



*FIG. 6*



*FIG. 7*