

US00D526914S

(12) **United States Design Patent**  
**Holbein**

(10) **Patent No.:** **US D526,914 S**

(45) **Date of Patent:** **\*\* Aug. 22, 2006**

(54) **SOIL METER**

D491,822 S \* 6/2004 Holbein ..... D10/56  
D511,697 S \* 11/2005 Wang ..... D10/56

(75) Inventor: **Larry L. Holbein**, Woodstock, IL (US)

\* cited by examiner

(73) Assignee: **Luster Leaf Products, Inc.**,  
Woodstock, IL (US)

*Primary Examiner*—Antoine D. Davis

(74) *Attorney, Agent, or Firm*—David I. Roche; Baker & McKenzie LLP

(\*\*) Term: **14 Years**

(57) **CLAIM**

(21) Appl. No.: **29/232,453**

The ornamental design for a soil meter, as shown and described above.

(22) Filed: **Jun. 20, 2005**

(51) **LOC (8) Cl.** ..... **10-04**

(52) **U.S. Cl.** ..... **D10/56**

(58) **Field of Classification Search** ..... D10/56;  
73/73; 324/694, 724; 340/604; 702/50  
See application file for complete search history.

**DESCRIPTION**

FIG. 1 is a perspective view of an embodiment of my invention;

FIG. 2 is a front view thereof;

FIG. 3 is a right side view thereof;

FIG. 4 is a rear view thereof;

FIG. 5 is a top view thereof; and,

FIG. 6 is a bottom view thereof.

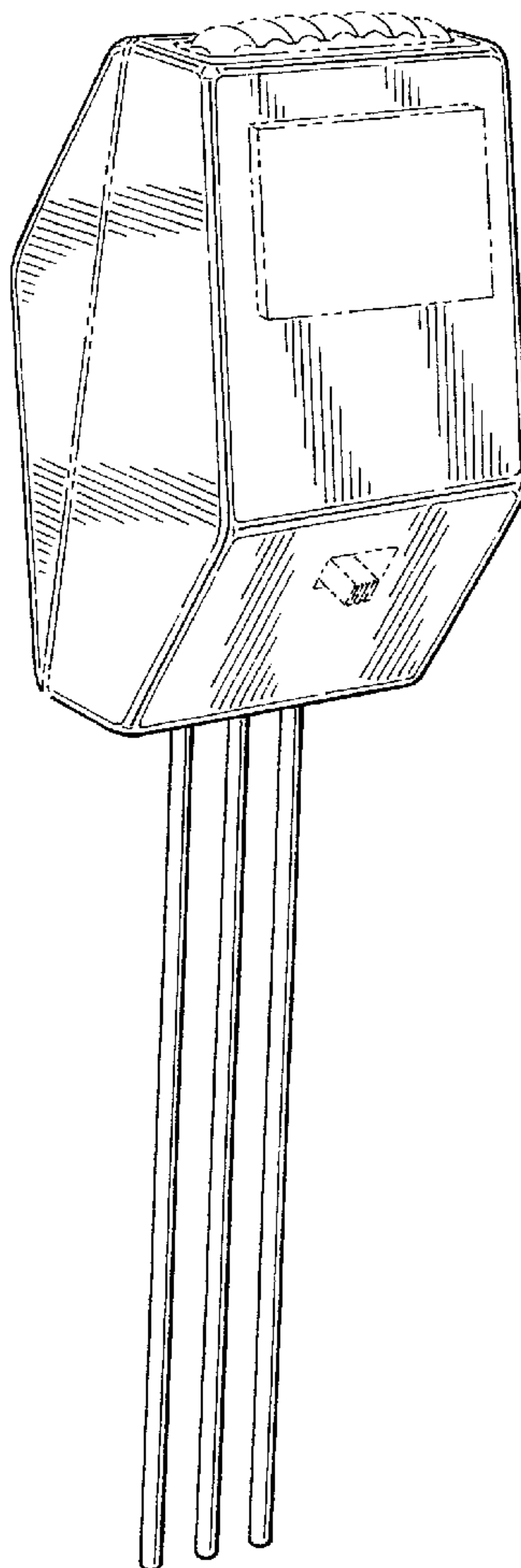
The broken line showing is for illustrative purposes only and forms no part of the claimed design.

(56) **References Cited**

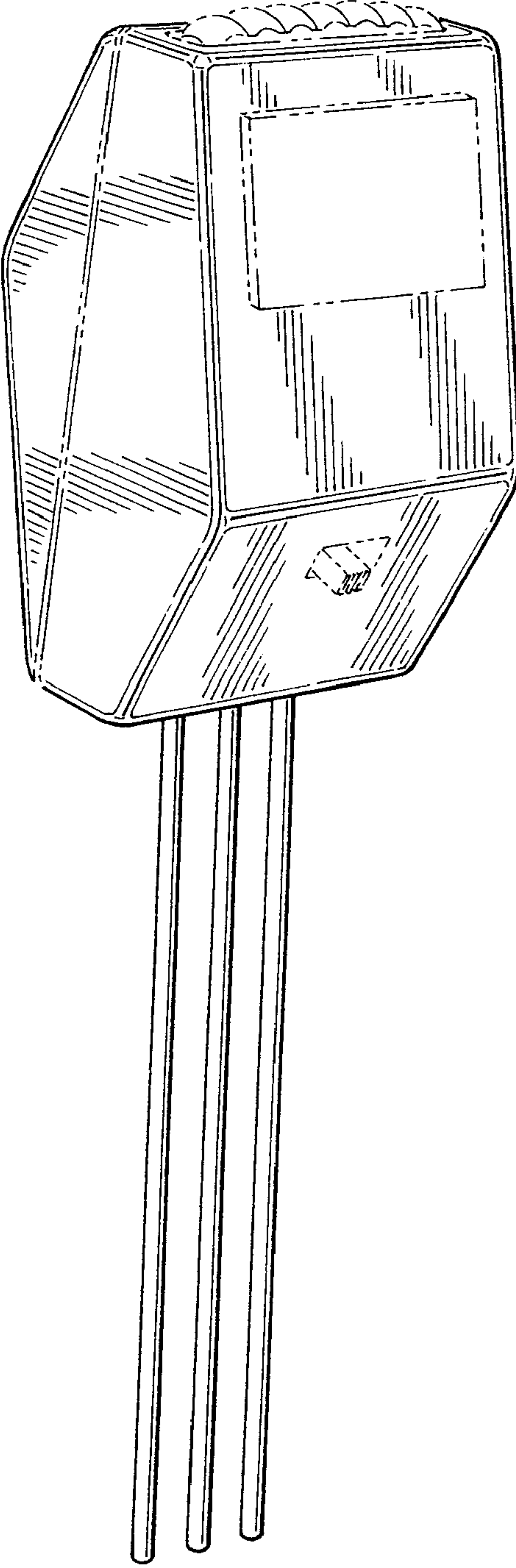
U.S. PATENT DOCUMENTS

D249,654 S \* 9/1978 Shaper ..... D10/56  
D374,182 S \* 10/1996 Lam ..... D10/56  
6,088,657 A 7/2000 McMahon  
6,637,259 B1 10/2003 McElhaney et al.

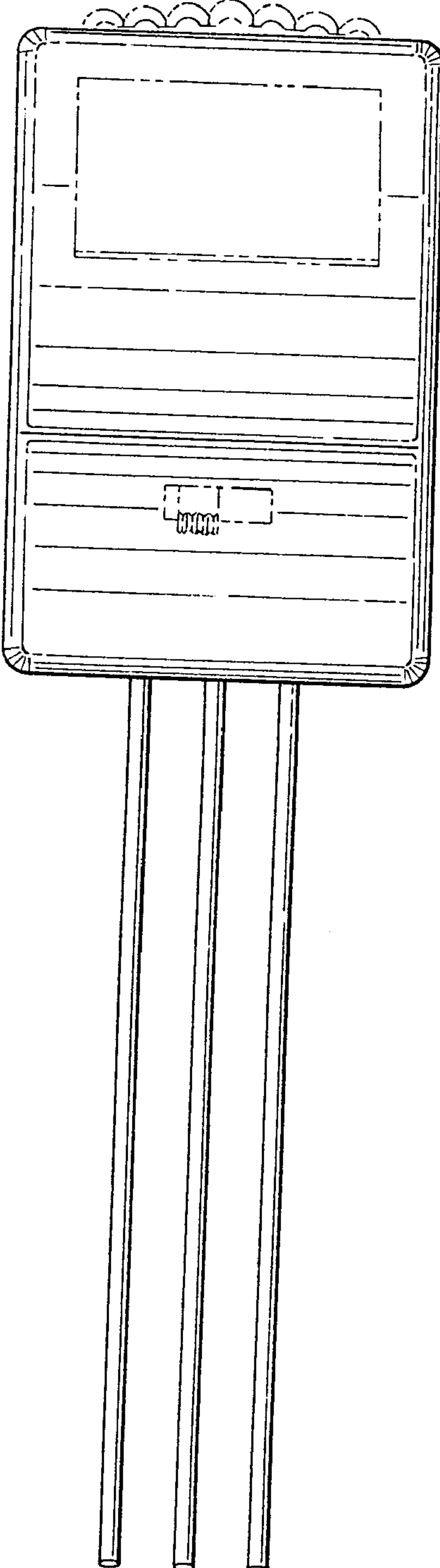
**1 Claim, 2 Drawing Sheets**

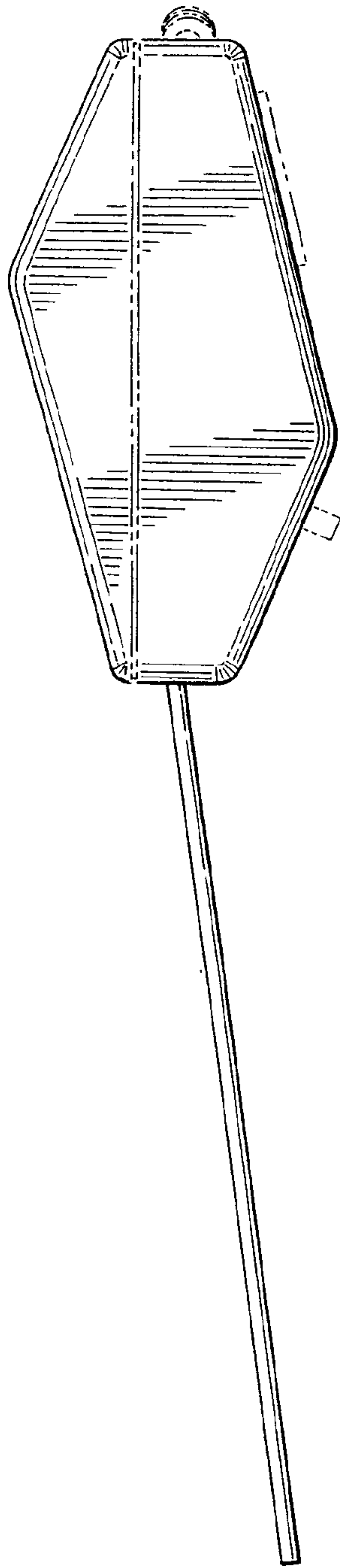


*FIG. 1*

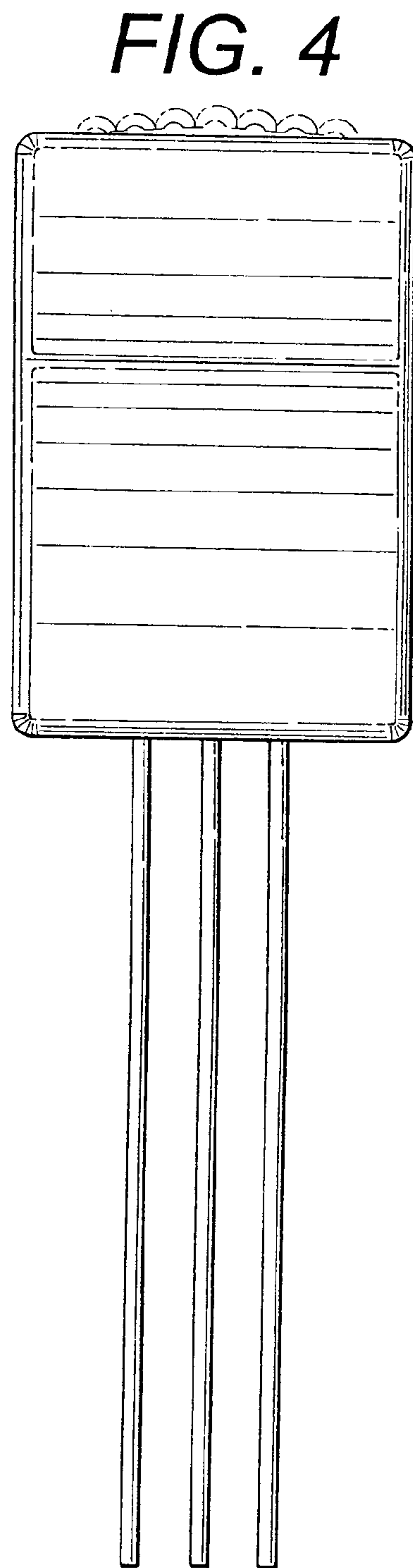


*FIG. 2*

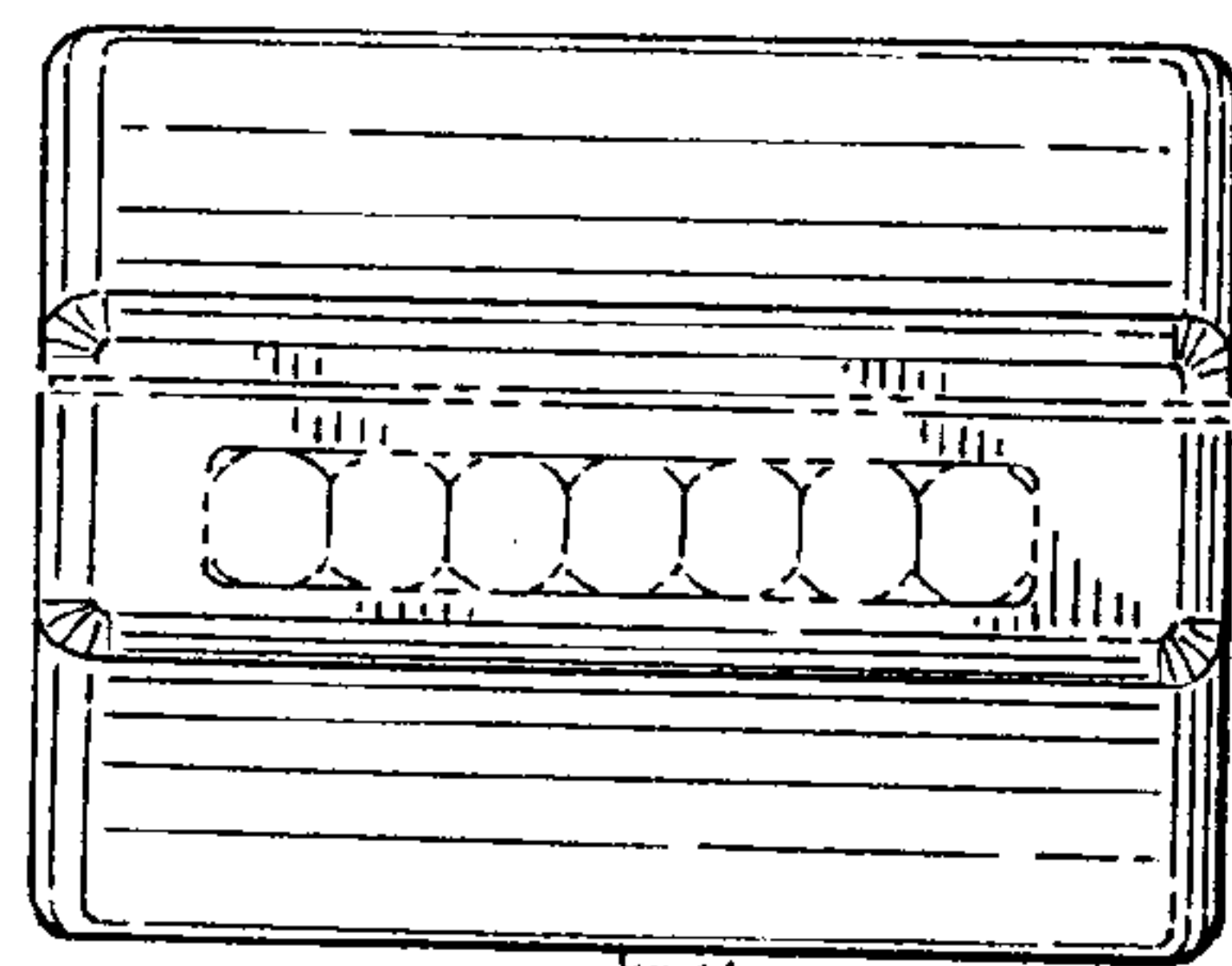




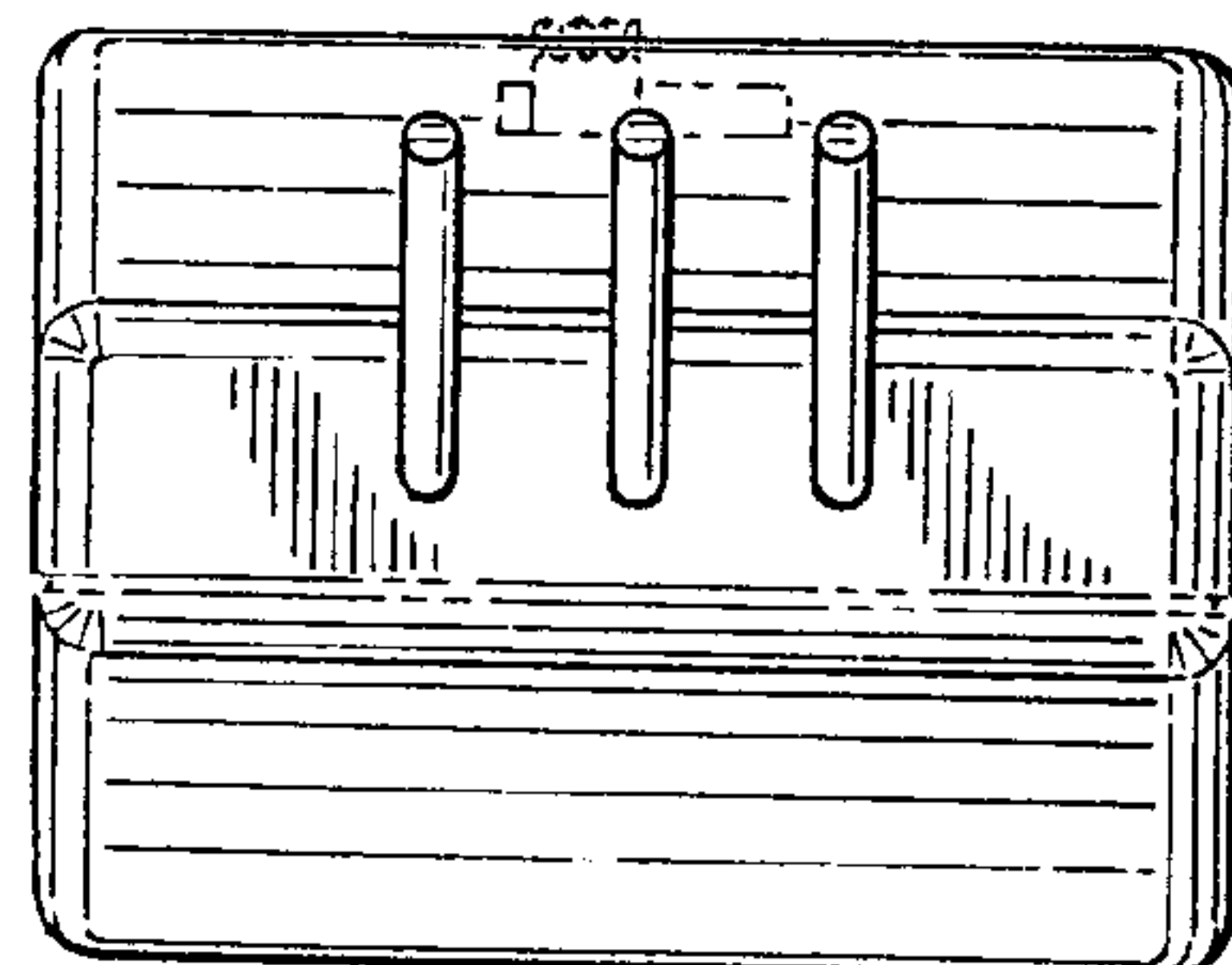
**FIG. 3**



**FIG. 4**



**FIG. 5**



**FIG. 6**