

US00D526901S

(12) **United States Design Patent**
Ruiz

(10) **Patent No.:** **US D526,901 S**

(45) **Date of Patent:** **** Aug. 22, 2006**

(54) **CONTAINER FOR LIQUID CANDY**

(75) **Inventor:** **Jaime Alejandro Okusono Ruiz,**
Nuevo Leon (MX)

(73) **Assignee:** **Mars Incorporated,** McLean, VA (US)

(**) **Term:** **14 Years**

(21) **Appl. No.:** **29/191,159**

(22) **Filed:** **Oct. 1, 2003**

(51) **LOC (8) Cl.** **09-01**

(52) **U.S. Cl.** **D9/503**

(58) **Field of Classification Search** D9/682,
D9/686-694, 718, 723-724, 500, 502-505,
D9/509, 511, 513, 515-516, 519-520, 521,
D9/529-530, 537-540, 545, 549, 556-558,
D9/571, 435, 443-446, 449, 454; D1/102-103,
D1/105, 130, 199; 215/12.1-12.2, 382-384;
220/4.27, 23.4, 23.83, 561, 761, 766, 770
See application file for complete search history.

(56) **References Cited**

U.S. PATENT DOCUMENTS

D25,057 S	*	1/1896	Held	D9/500
D36,493 S	*	8/1903	Alland	D9/505
1,582,681 A	*	4/1926	Hammer	215/43
2,029,997 A	*	2/1936	Gaddy	222/215
2,980,039 A	*	4/1961	Jolly	249/97

D205,248 S	*	7/1966	Zona	D9/504
4,992,283 A	*	2/1991	Shorey	426/132
D344,212 S	*	2/1994	Morgan	D7/608
D344,340 S	*	2/1994	Allegre	D24/197
D409,051 S	*	5/1999	Huang	D7/608
D451,806 S	*	12/2001	Stalder	D9/503
D466,401 S	*	12/2002	Cohen et al.	D9/504
D474,406 S	*	5/2003	Kaposi	D9/505
D488,385 S	*	4/2004	Ungrady	D9/544
D502,397 S	*	3/2005	Lopez-Villasenor	D9/503

* cited by examiner

Primary Examiner—Carol Rademaker

(74) *Attorney, Agent, or Firm*—Fitzpatrick, Cella, Harper & Scinto

(57) **CLAIM**

The ornamental design for a container for liquid candy, substantially as shown and described.

DESCRIPTION

FIG. 1 is a front perspective view of a container for liquid candy showing my new design;

FIG. 2 is a front elevation view thereof, the back and sides being the same;

FIG. 3 is a top plan view thereof; and,

FIG. 4 is a bottom plan view thereof.

The broken line shown in the drawings is for illustrative purposes only and form no part of the claimed design.

1 Claim, 1 Drawing Sheet

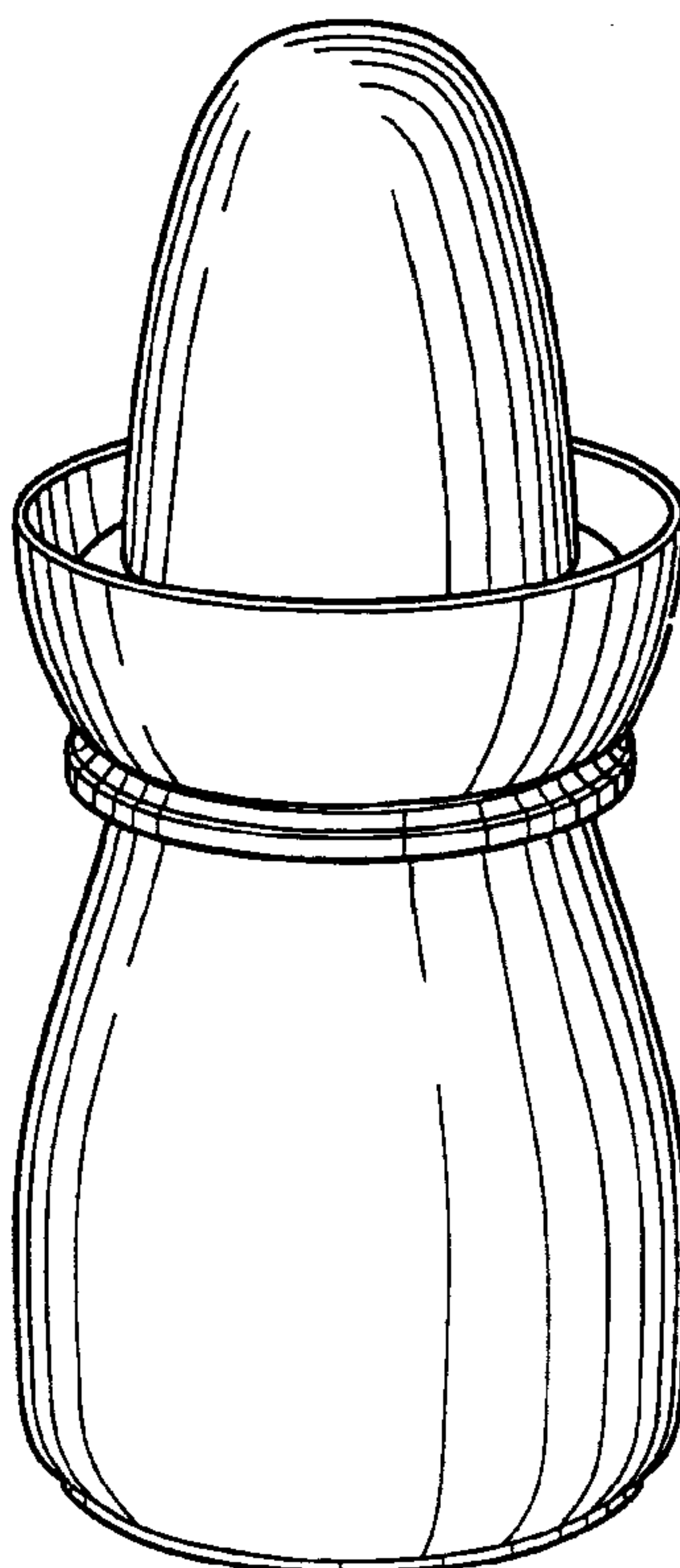


FIG. 1

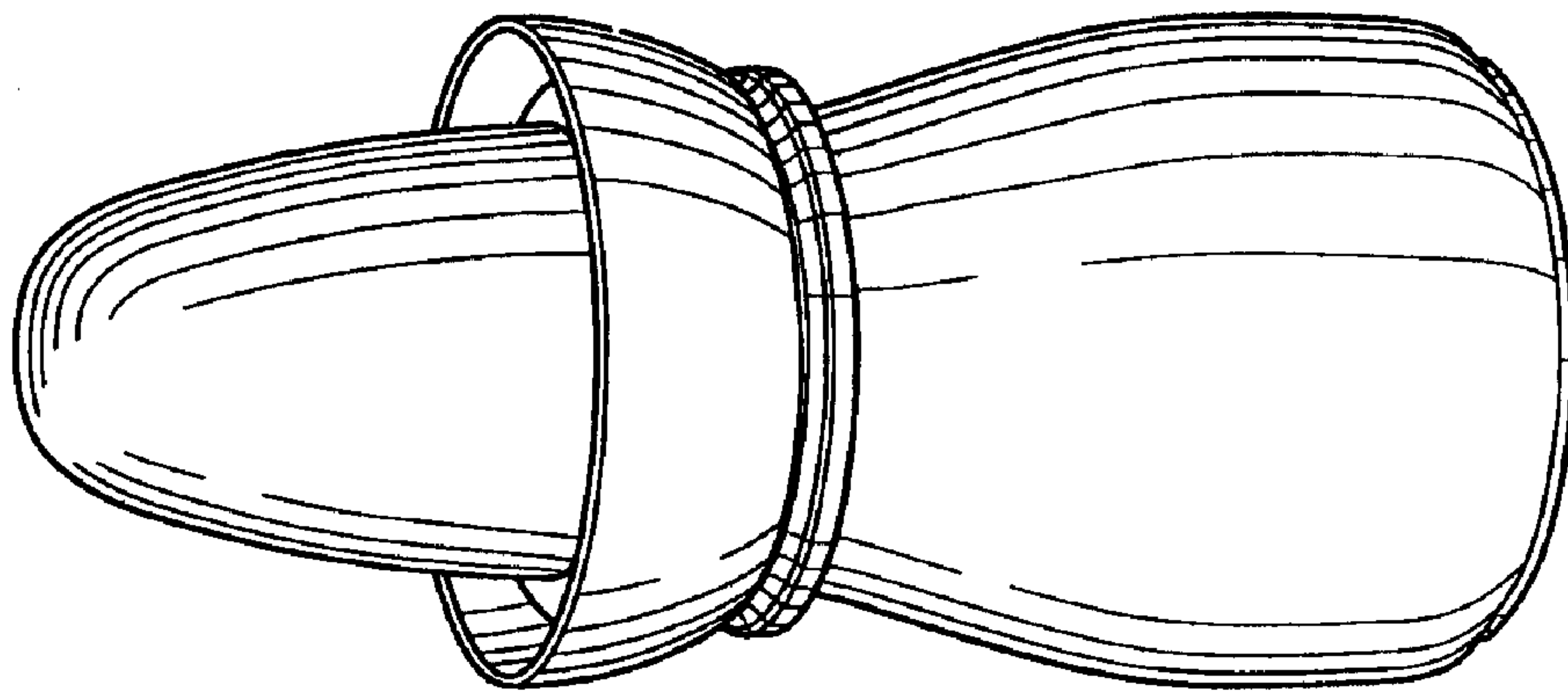


FIG. 2

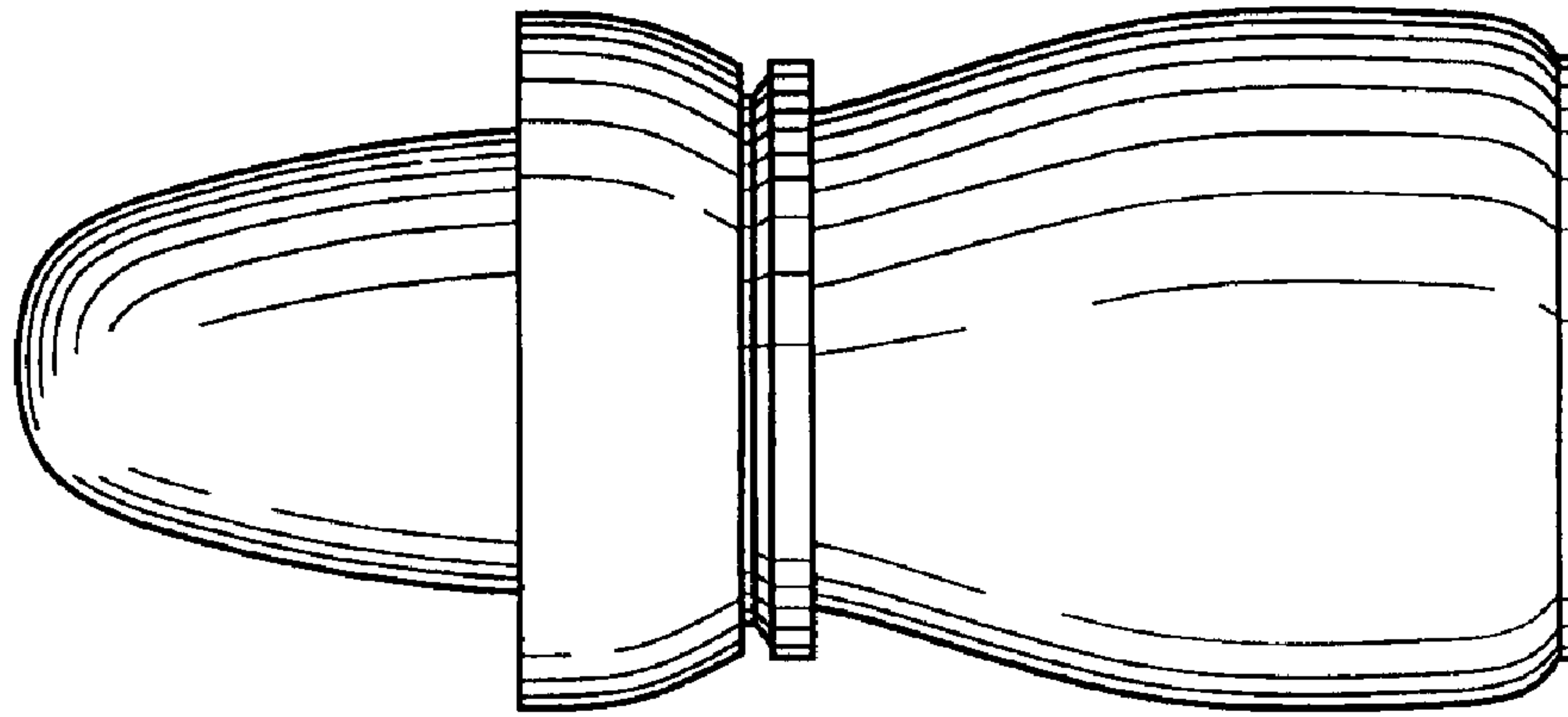


FIG. 3

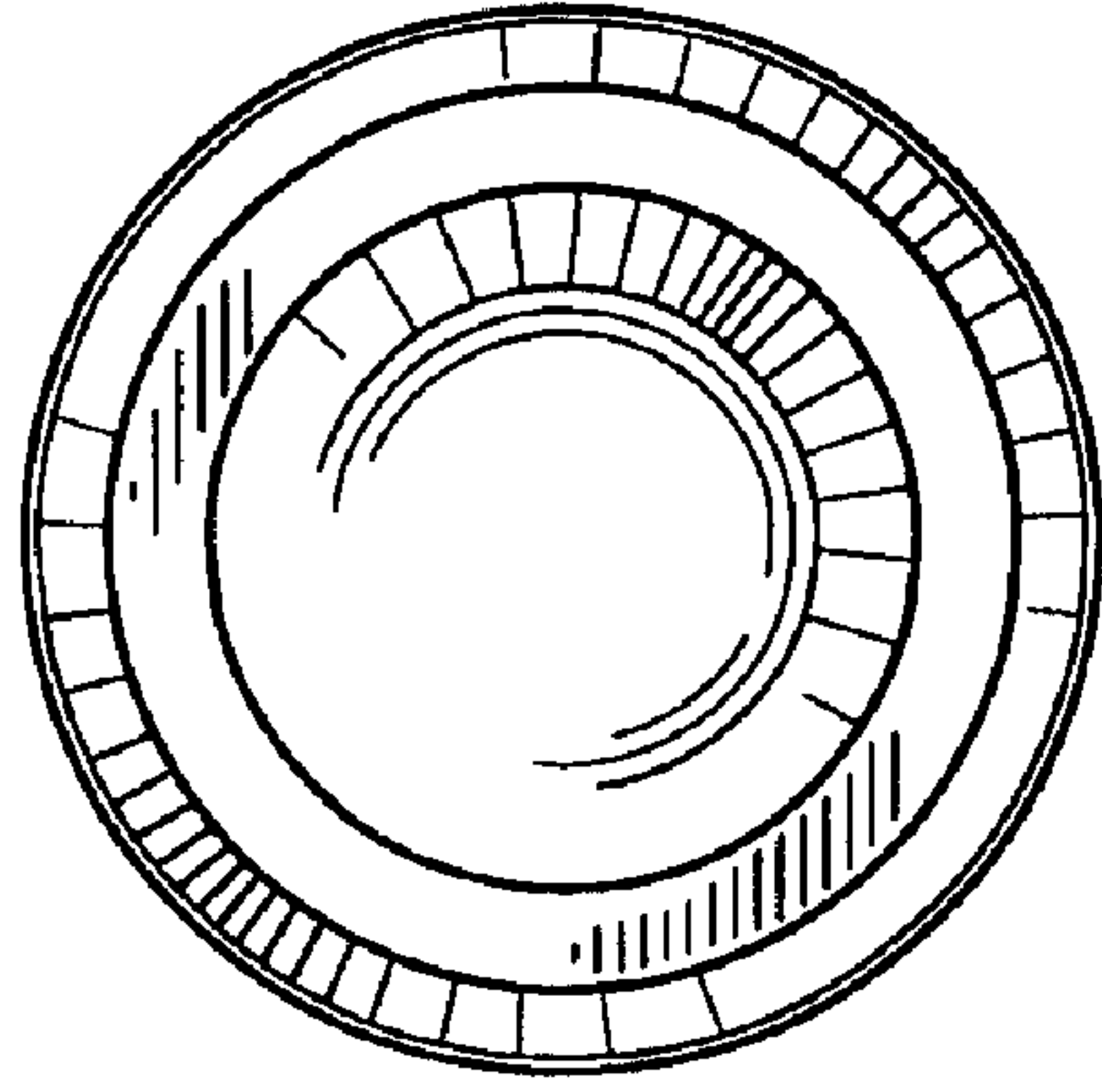


FIG. 4

