



US00D526900S

(12) **United States Design Patent**
Shieh et al.

(10) **Patent No.: US D526,900 S**

(45) **Date of Patent: ** Aug. 22, 2006**

(54) **ACTUATOR FOR AN AEROSOL CAN DEVICE**

(76) Inventors: **Doris S. Shieh**, 1221 Broadway, Oakland, CA (US) 94612; **Timothy J. Kennedy**, 1221 Broadway, Oakland, CA (US) 94612; **Ricardo Ruiz de Gopegui**, 1221 Broadway, Oakland, CA (US) 94612; **David T. Faubion**, 101 Oakley St., Evansville, IN (US) 47710; **William T. Nally**, 101 Oakley St., Evansville, IN (US) 47710

(**) Term: **14 Years**

(21) Appl. No.: **29/240,701**

(22) Filed: **Oct. 17, 2005**

(51) **LOC (8) Cl.** **09-07**

(52) **U.S. Cl.** **D9/445**

(58) **Field of Classification Search** D9/499, D9/455, 454, 447, 440, 435, 434, 444, 445, D9/686, 688, 690; D7/700, 624.1, 619.1; 215/390, 376, 10; 141/364, 319, 310; D6/466, D6/457, 400; D3/219, 206, 205

See application file for complete search history.

(56) **References Cited**

U.S. PATENT DOCUMENTS

D229,824 S * 1/1974 Erikson D9/434

4,051,974 A * 10/1977 Gentile 215/329
D423,307 S * 4/2000 Dittmann, Jr. D7/700
D432,916 S * 10/2000 Drinkwater et al. D9/435
D445,682 S * 7/2001 Michael et al. D9/445
D475,921 S * 6/2003 Smith D9/445
D480,639 S * 10/2003 Ciavarella et al. D9/434
D509,134 S * 9/2005 Maeno D9/434

* cited by examiner

Primary Examiner—Robert M. Spear

Assistant Examiner—Susan Bennett-Hattan

(74) *Attorney, Agent, or Firm*—Richard Niehuser

(57) **CLAIM**

The ornamental design for an actuator for an aerosol can device, as shown and described.

DESCRIPTION

The application relates to an actuator for use with an aerosol can device.

FIG. 1 is a perspective view of an actuator for an aerosol can device showing our new design;

FIG. 2 is a front view thereof;

FIG. 3 is a rear view thereof;

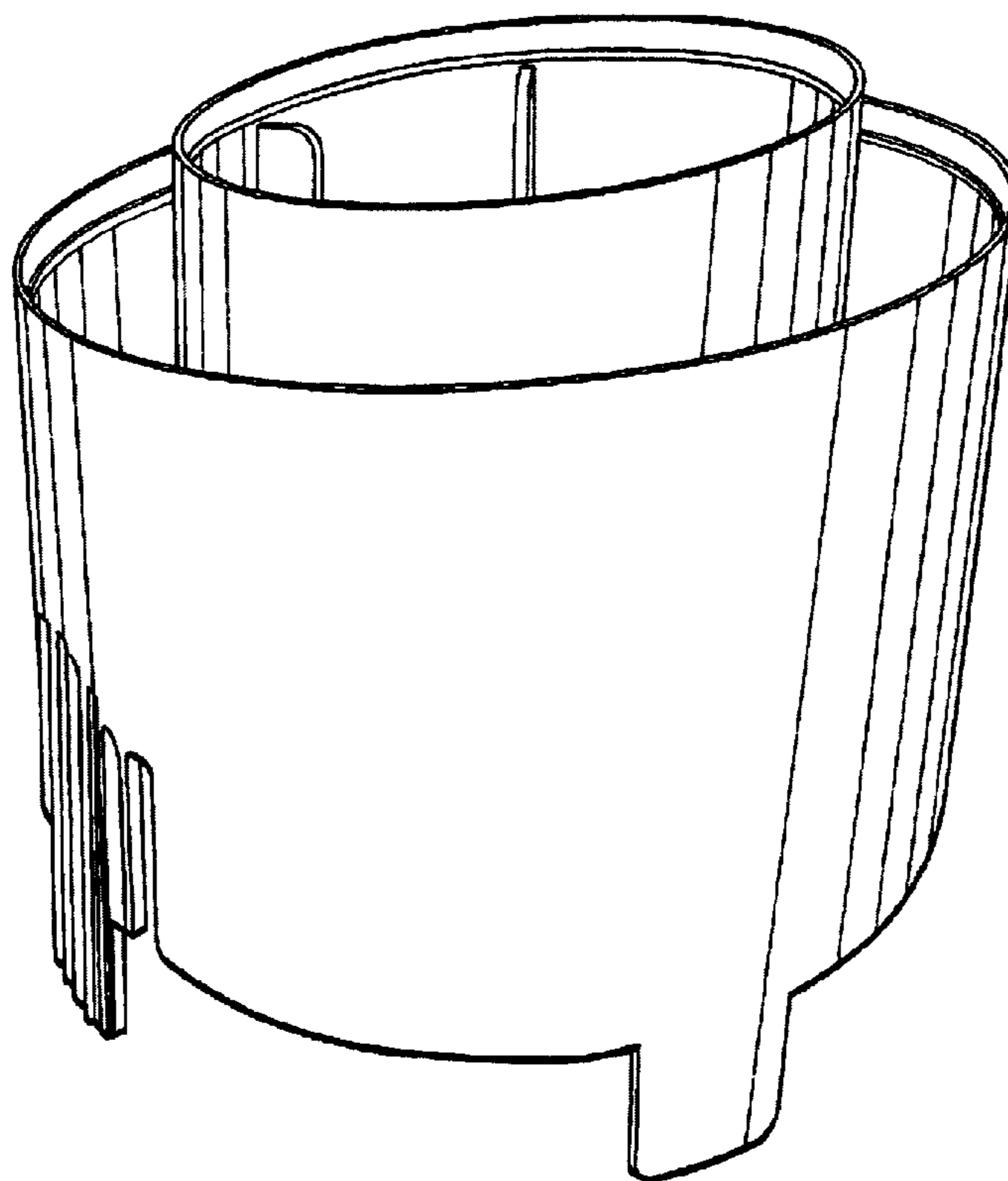
FIG. 4 is a right side view thereof;

FIG. 5 is a left side view thereof; and,

FIG. 6 is a top plan view thereof.

The broken lines in FIG. 6 define boundaries of the claimed design and form no part of the claimed design.

1 Claim, 4 Drawing Sheets



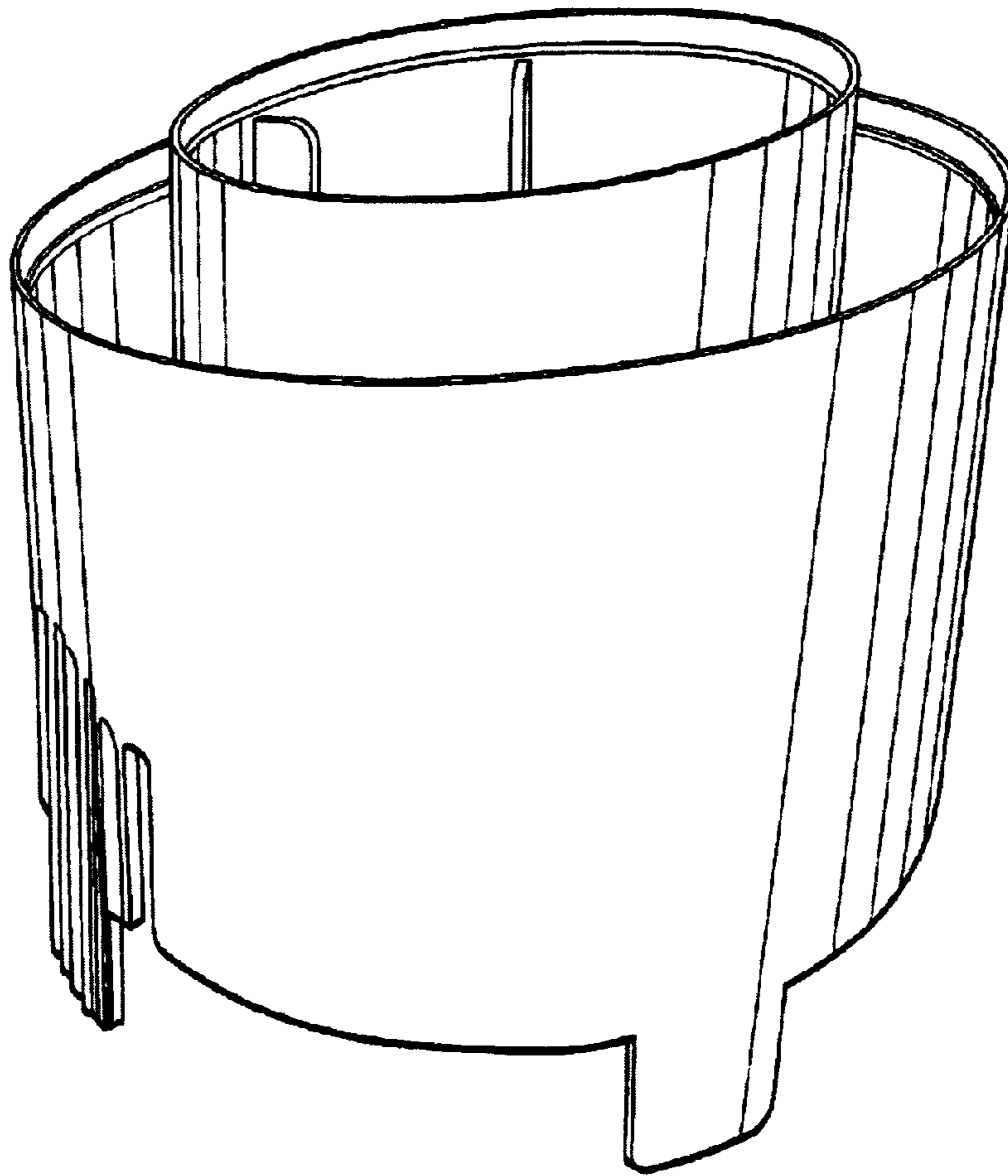


FIG.-1

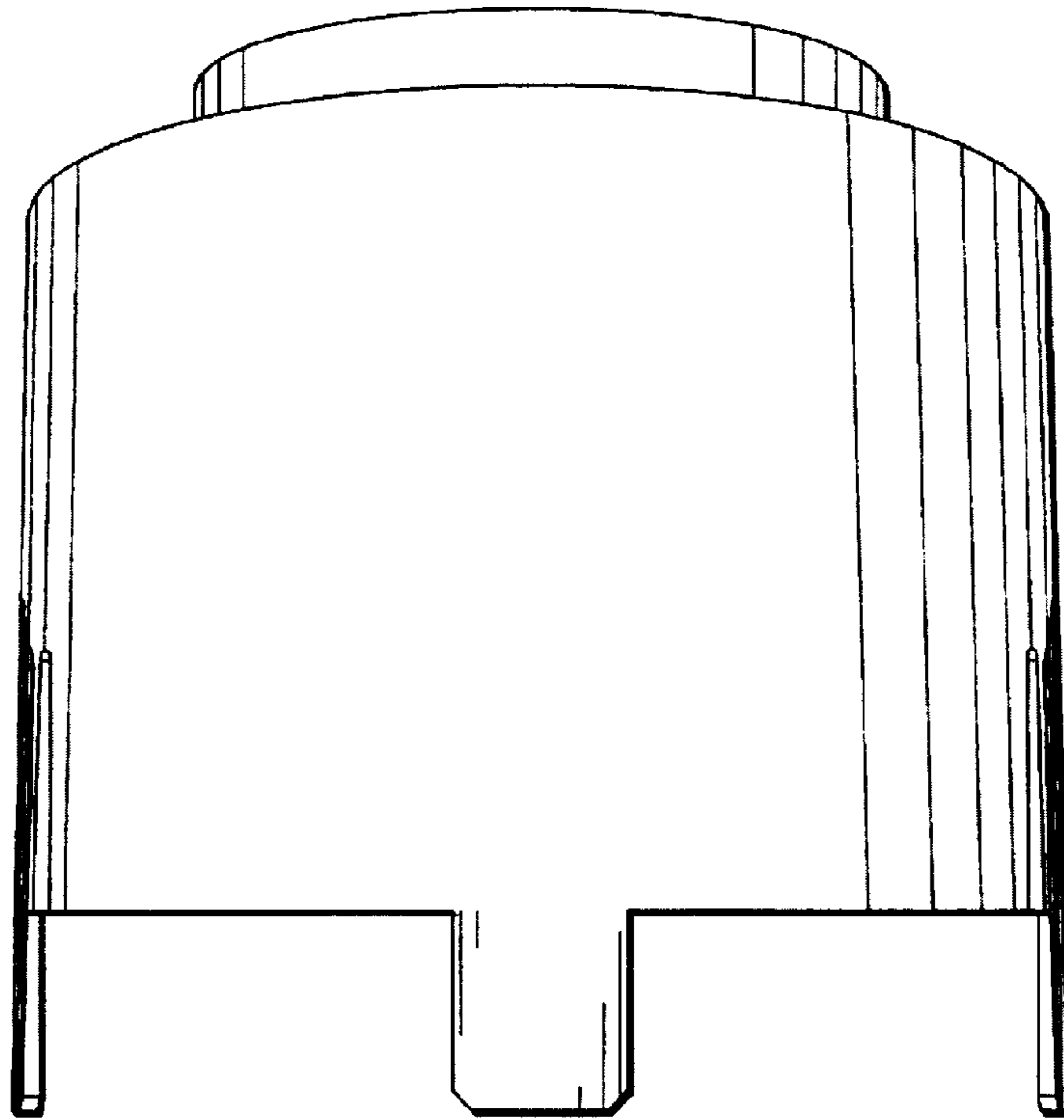


FIG. -2

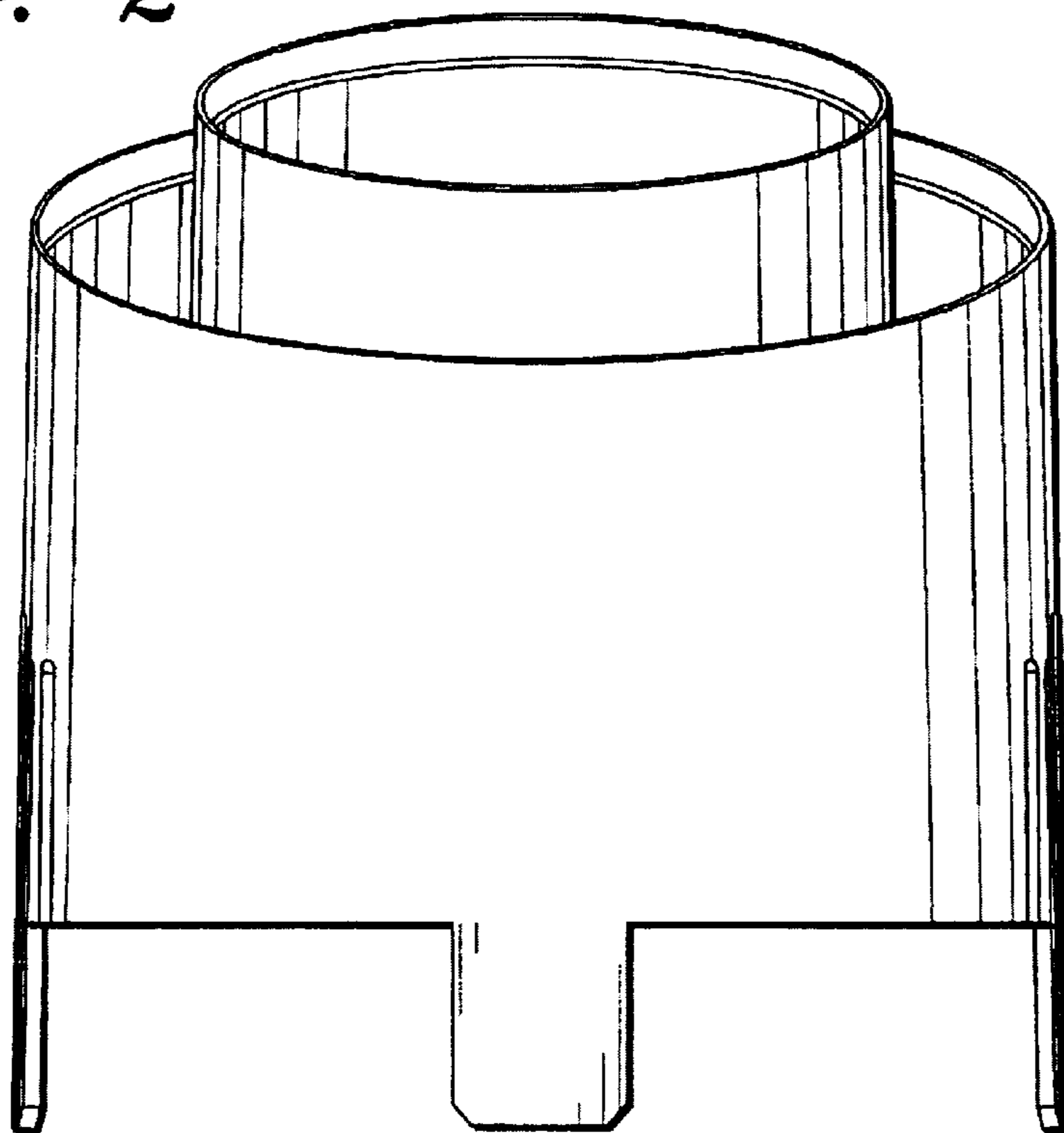


FIG. -3

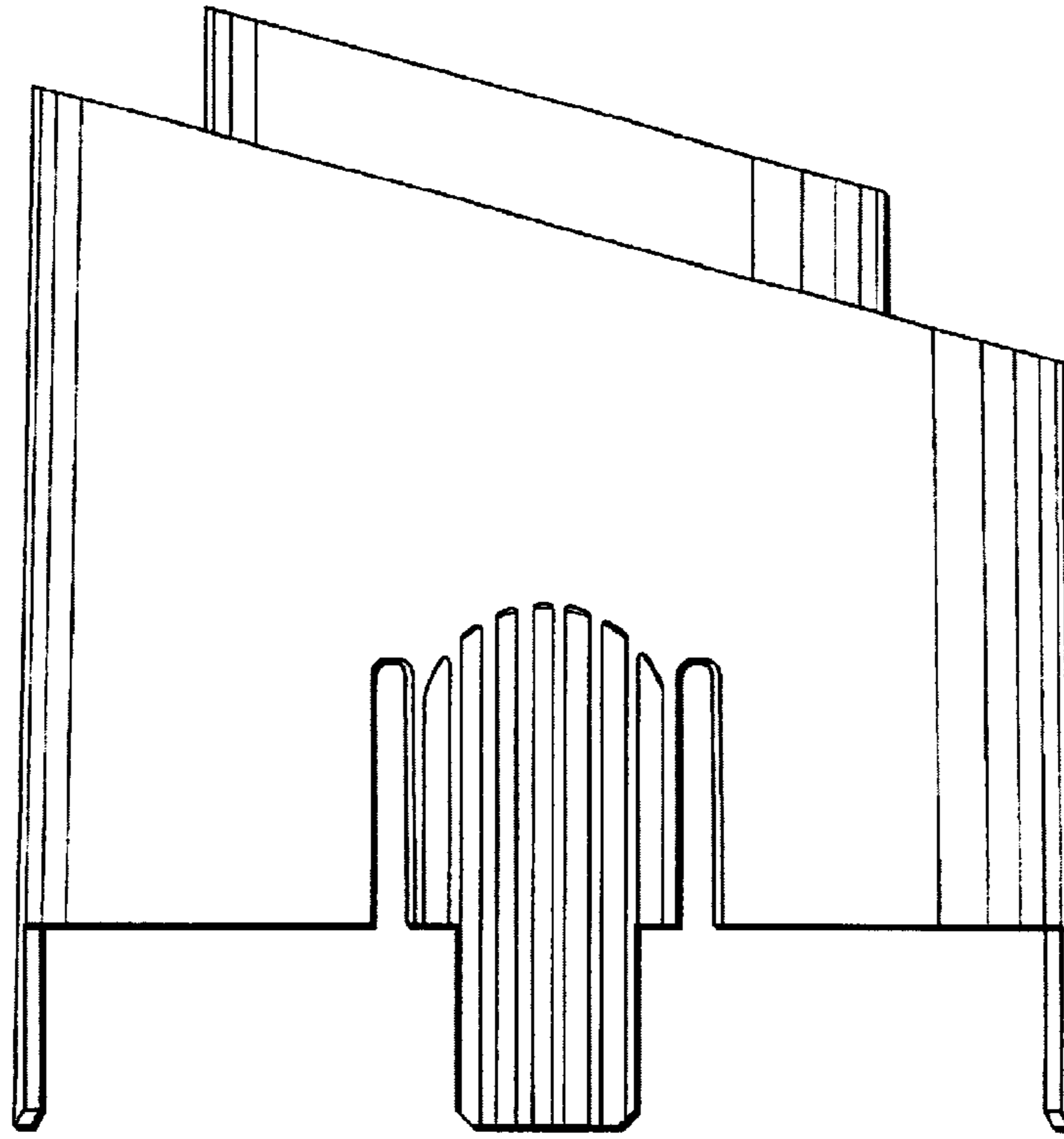


FIG.-4

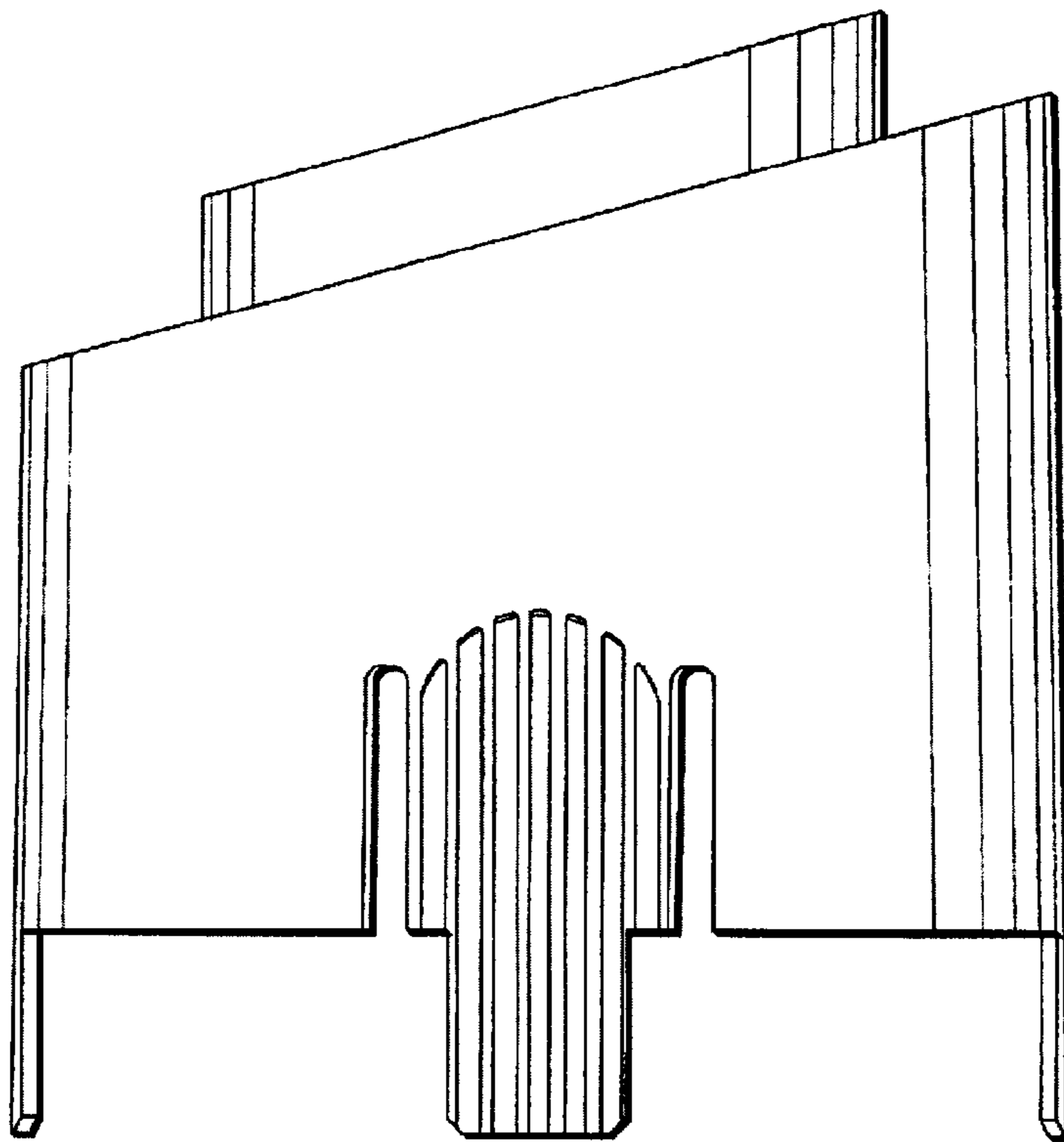


FIG.-5

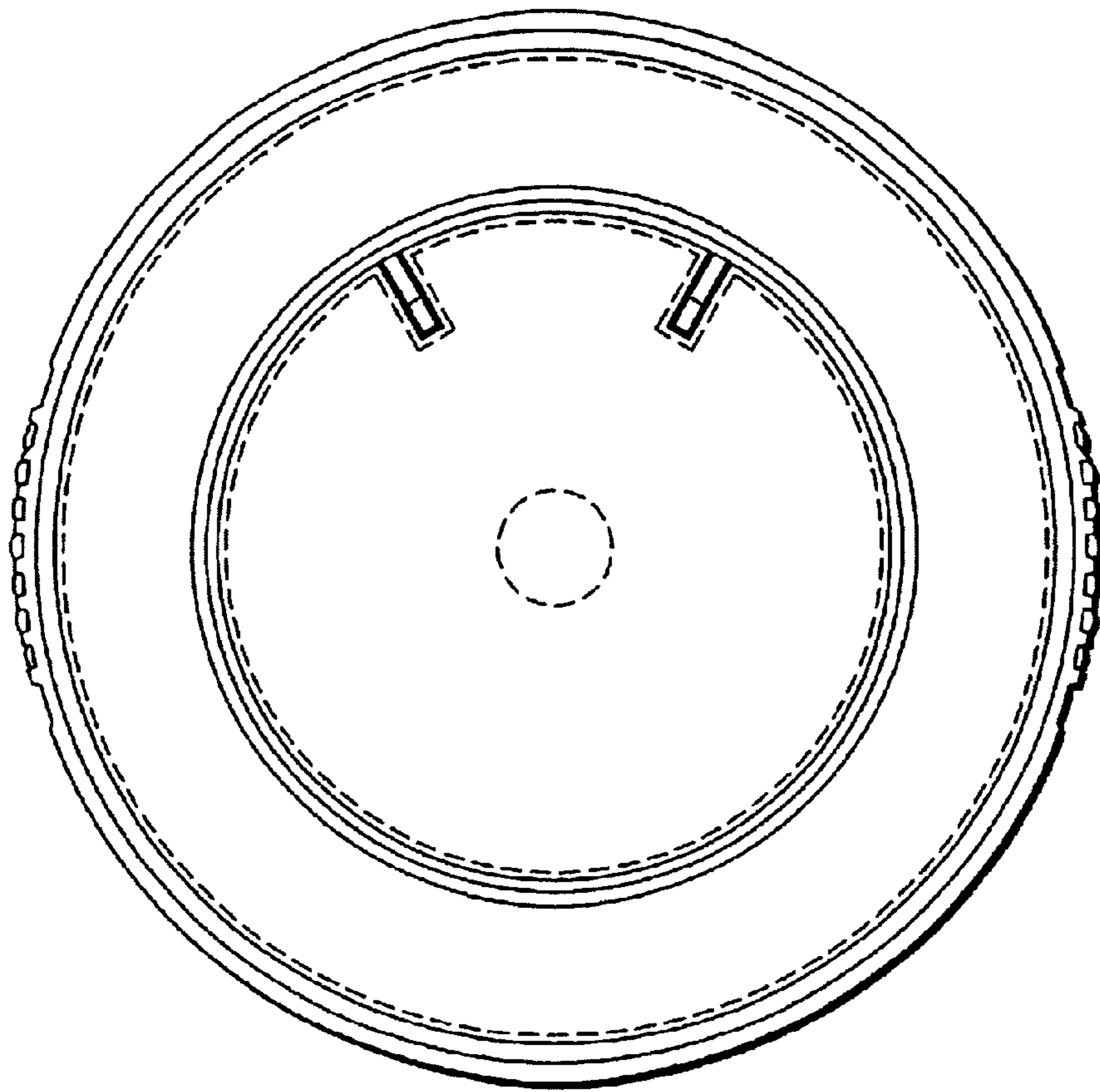


FIG.-6