



US00D526899S

(12) **United States Design Patent**
Mangin et al.

(10) **Patent No.:** **US D526,899 S**

(45) **Date of Patent:** **** Aug. 22, 2006**

(54) **BOTTLE TRANSITION PIECE**

(75) Inventors: **Raphael Louis Mangin**, Frascati (IT);
Guy Hubert Stephane Sylvain
Culeron, Rhode Saint Genese (BE)

(73) Assignee: **The Procter & Gamble Company**,
Cincinnati, OH (US)

(**) Term: **14 Years**

(21) Appl. No.: **29/233,282**

(22) Filed: **Jun. 30, 2005**

(51) **LOC (8) Cl.** **09-07**

(52) **U.S. Cl.** **D9/435; D9/444**

(58) **Field of Classification Search** D9/682,
D9/549, 529, 450, 449, 448, 447, 440, 435;
D7/587, 558, 555, 554.4, 554.2, 553.6, 553.1,
D7/550.1; D6/550, 542, 536; D23/254, 250,
D23/249; 222/562, 402.13, 402.1, 385, 383.1,
222/372, 321.7, 321.3, 320, 153.13

See application file for complete search history.

(56) **References Cited**

U.S. PATENT DOCUMENTS

- D110,902 S * 8/1938 Loesch D7/558
- D222,338 S * 10/1971 Desprez D9/529
- D241,624 S * 9/1976 Trott D9/447
- D348,509 S * 7/1994 Bollenbacher D6/550
- D353,773 S * 12/1994 Desgrippes D9/529

- D390,117 S * 2/1998 Kan et al. D9/529
- D468,404 S * 1/2003 Hunter D23/254
- D509,994 S * 9/2005 Hadland D7/587

* cited by examiner

Primary Examiner—Robert M. Spear

Assistant Examiner—Susan Bennett Hattan

(74) *Attorney, Agent, or Firm*—Jeffrey V. Bamber; Laura E. Grunzinger

(57) **CLAIM**

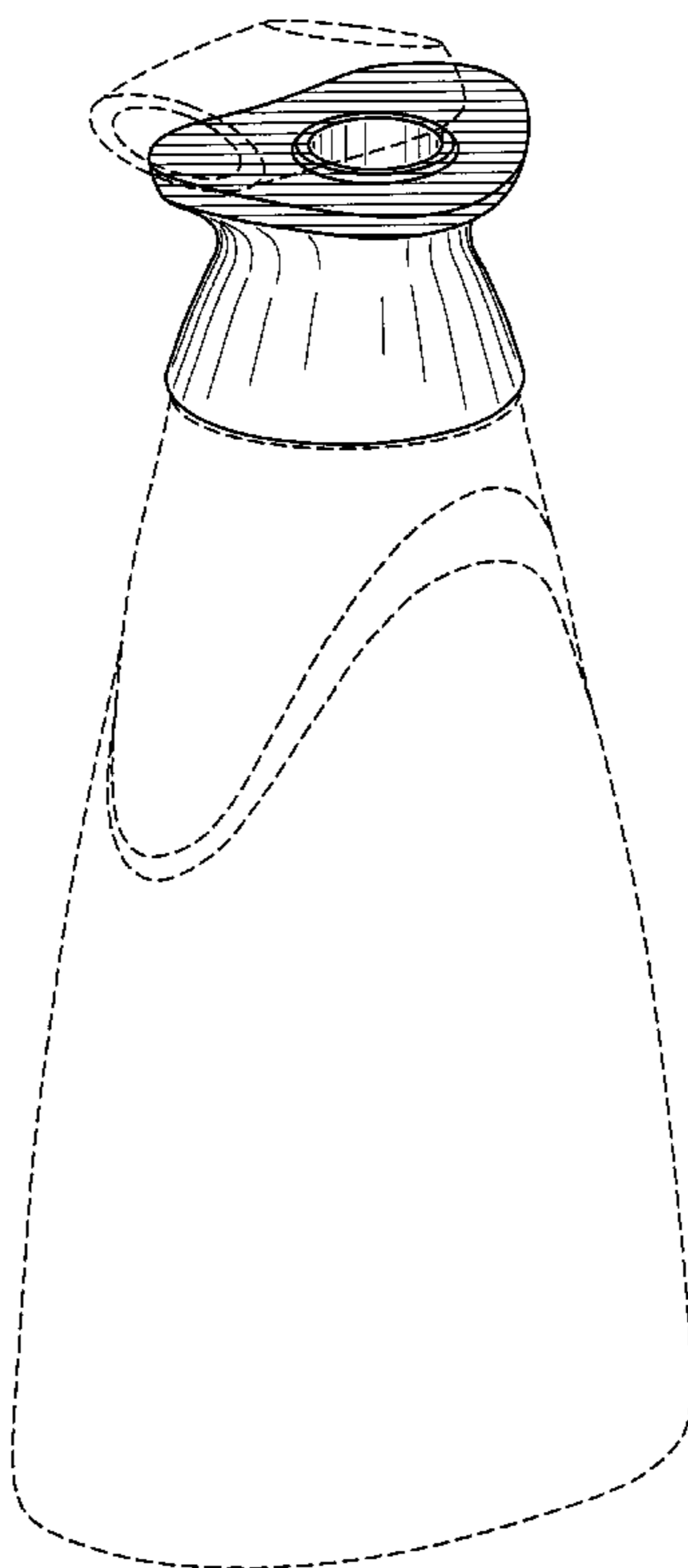
The ornamental design for a bottle transition piece, as shown and described.

DESCRIPTION

FIG. 1 is a perspective view of a bottle transition piece, embodying our new design, showing the upper rim portion of the transition piece being of a contrasting color (for example, a darker color) than the remainder of the transition piece. In one embodiment, the rim portion may be blue, and the remainder of the transition piece may be white. In other embodiments the rim portion may be red, or another color; FIG. 2 is a front view thereof; FIG. 3 is a back view thereof; FIG. 4 is a left side view thereof; FIG. 5 is a right side view thereof; and, FIG. 6 is a top plan view thereof.

The broken lines shown in the drawings are for illustrative purposes only and form no part of the claimed design.

1 Claim, 6 Drawing Sheets



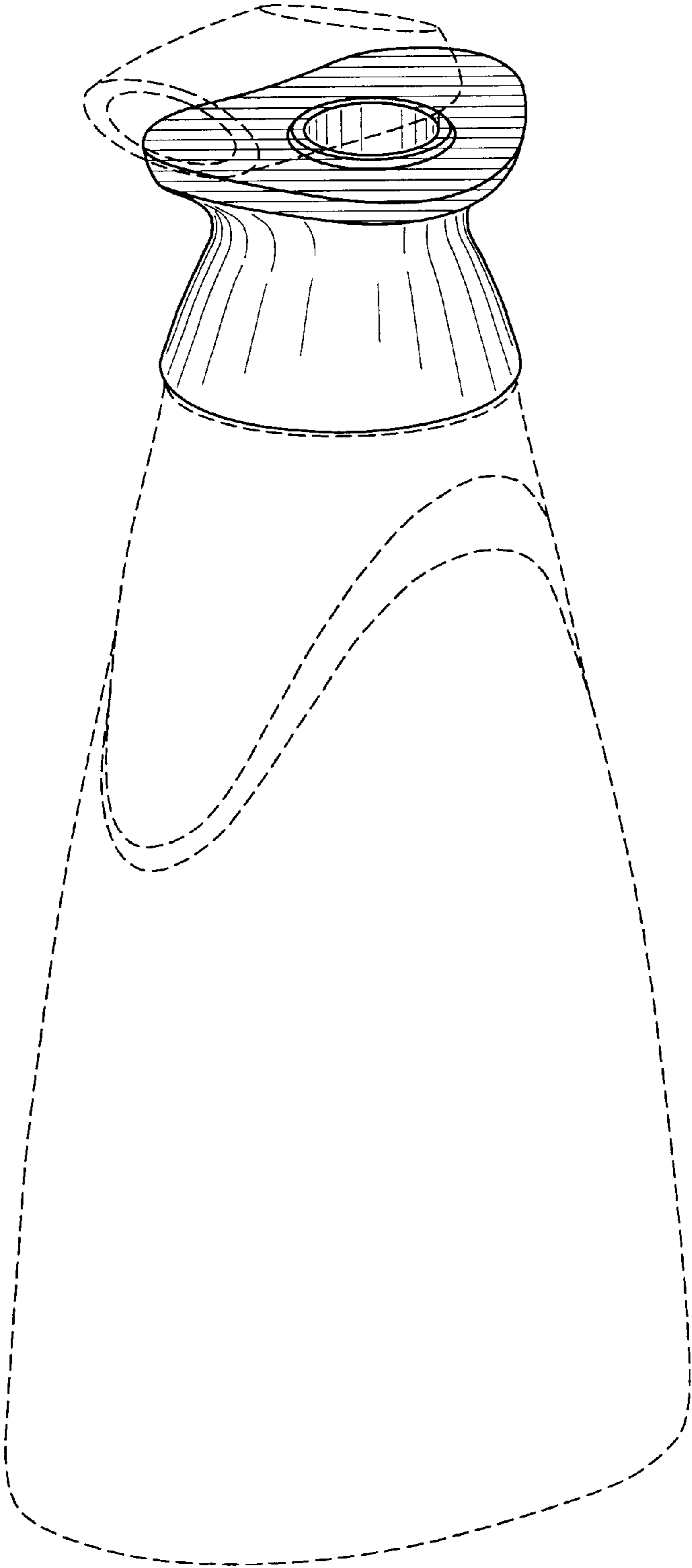


FIG. 1

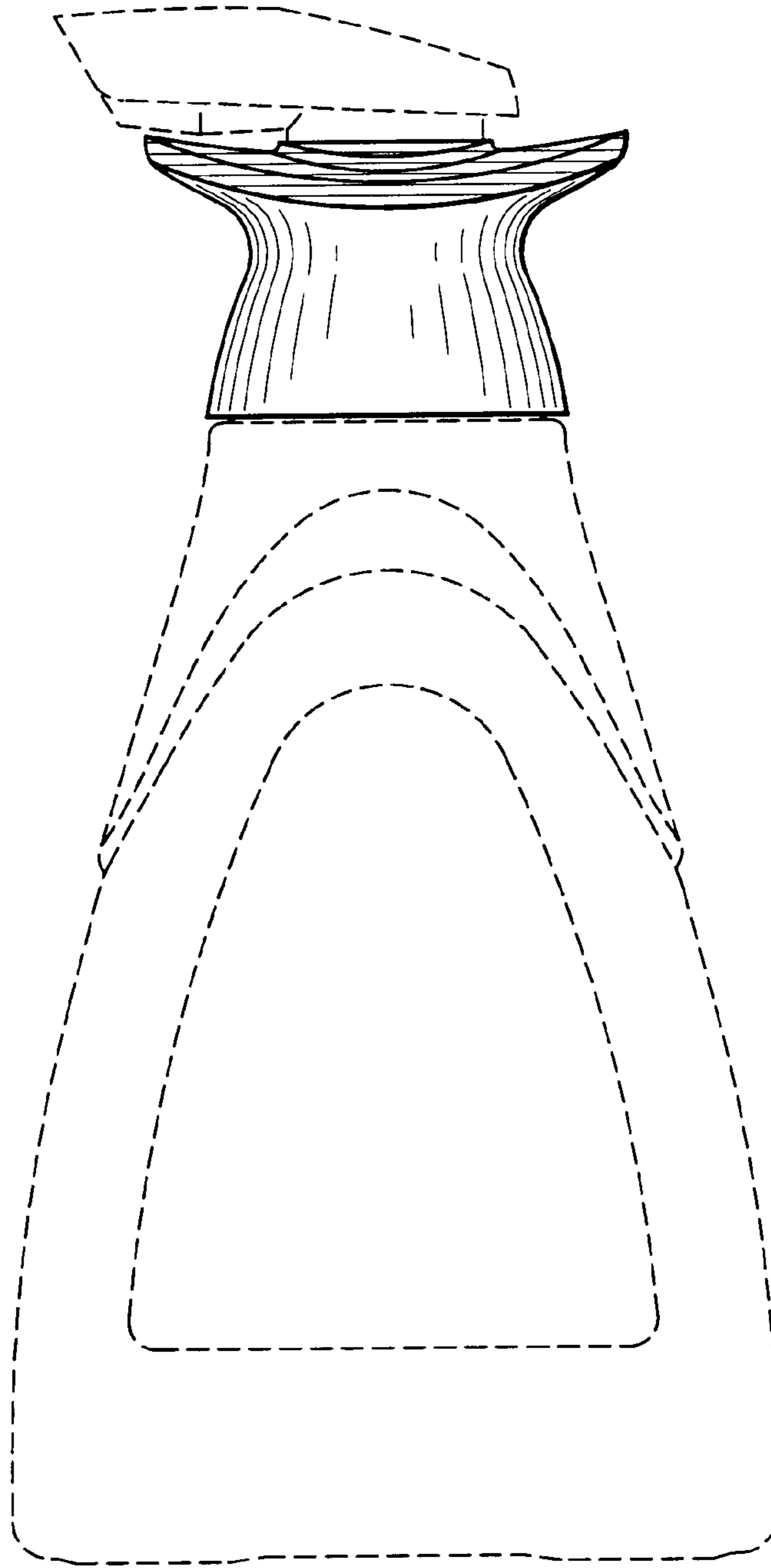


FIG. 2

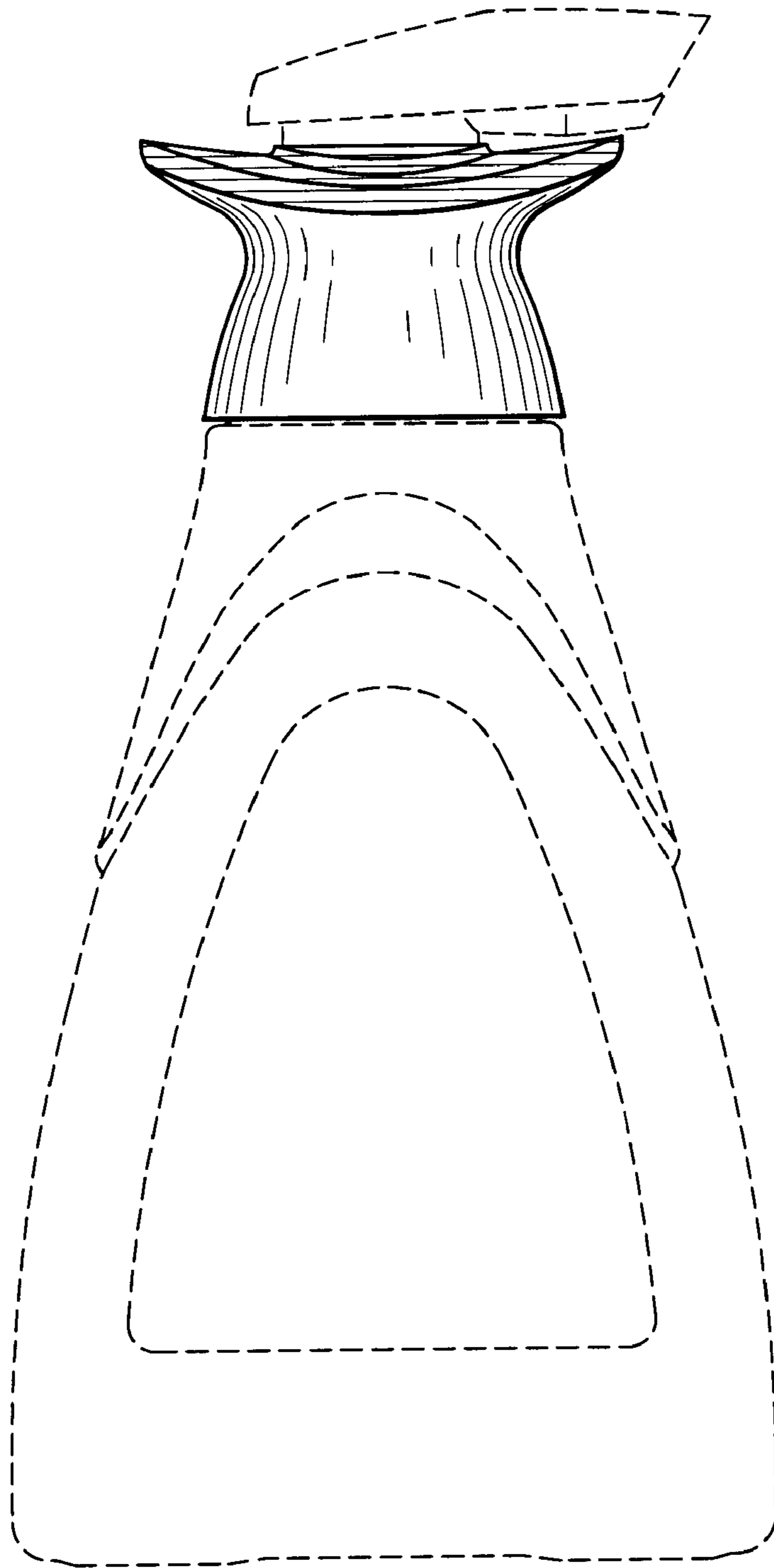


FIG. 3

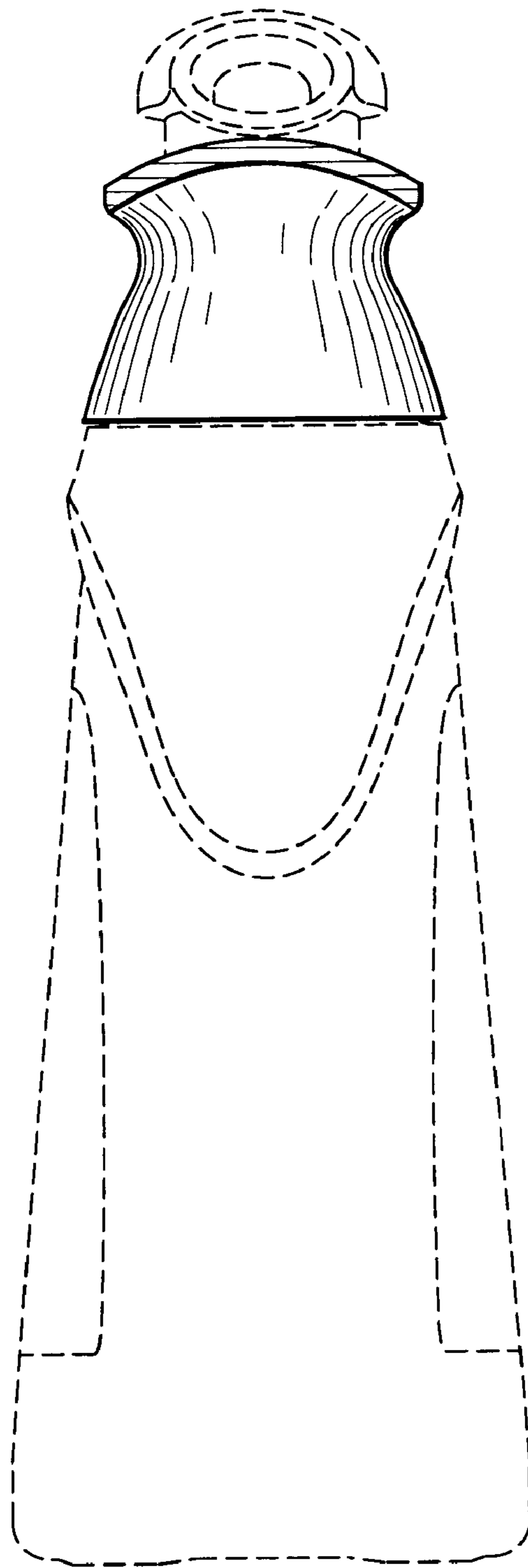


FIG. 4

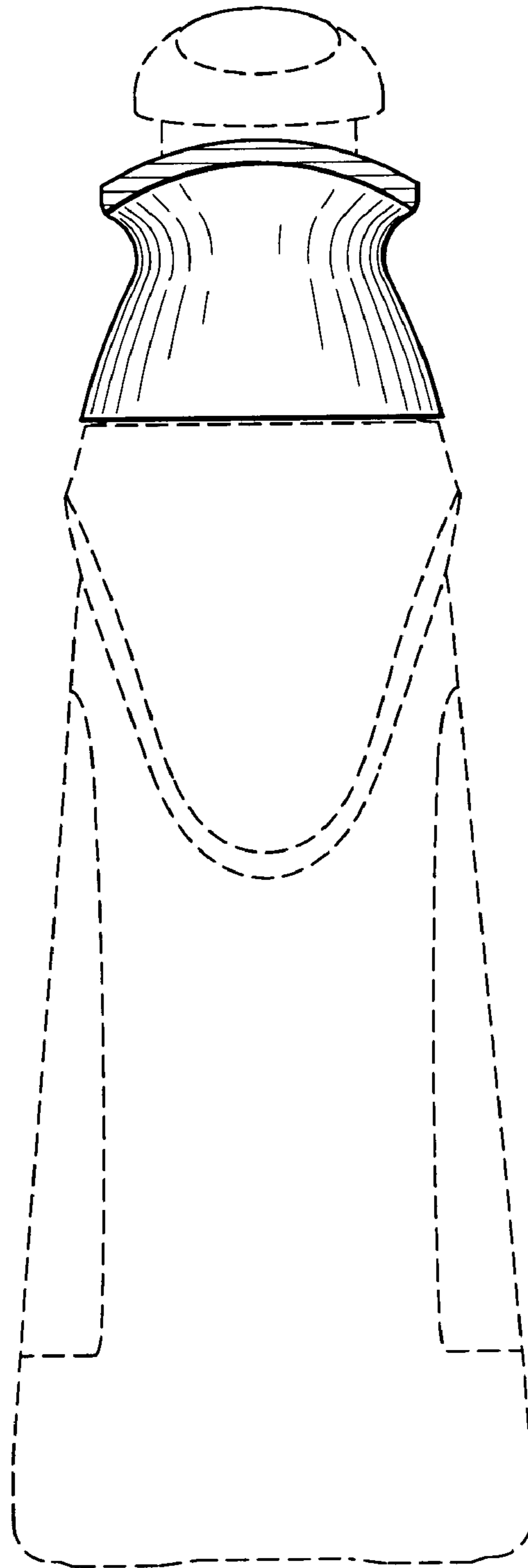


FIG. 5

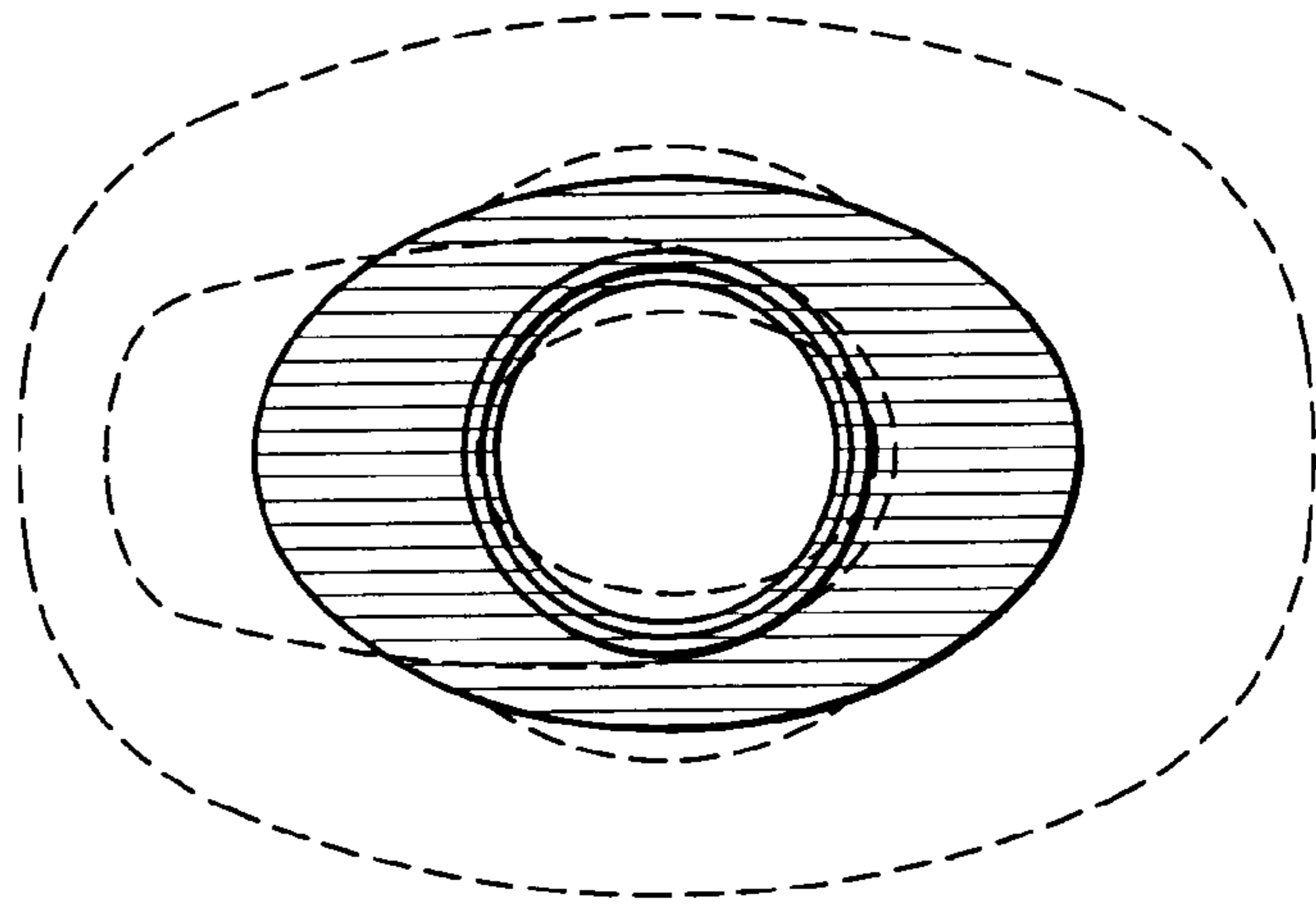


FIG. 6