



US00D526898S

(12) **United States Design Patent**
Isono et al.

(10) **Patent No.:** **US D526,898 S**

(45) **Date of Patent:** **** Aug. 22, 2006**

(54) **BOTTLE TRANSITION PIECE**

(75) Inventors: **Makoto Isono**, Ashiya (JP); **Nobuyuki Kitamura**, Yawata (JP); **Shinsuke Nomura**, Kyoto (JP)

(73) Assignee: **The Procter & Gamble Company**, Cincinnati, OH (US)

(**) Term: **14 Years**

(21) Appl. No.: **29/227,798**

(22) Filed: **Apr. 15, 2005**

(30) **Foreign Application Priority Data**

Oct. 21, 2004 (GB) 3019180

(51) **LOC (8) Cl.** **09-07**

(52) **U.S. Cl.** **D9/435; D9/444**

(58) **Field of Classification Search** D9/682, D9/549, 529, 450, 449, 448, 447, 440, 435; D7/587, 558, 555, 554.4, 554.2, 553.6, 553.1, D7/550.1; D6/550, 542, 536; D23/254, 250, D23/249; 222/562, 402.13, 402.1, 385, 383.1, 222/372, 321.7, 321.3, 320, 153.13
See application file for complete search history.

(56) **References Cited**

U.S. PATENT DOCUMENTS

D110,902 S * 8/1938 Loesch D7/558

D222,338 S * 10/1971 Desprez D9/529
D241,624 S * 9/1976 Trott D9/447
D348,509 S * 7/1994 Bollenbacher D6/550
D353,773 S * 12/1994 Desgrippes D9/529
D390,117 S * 2/1998 Kan et al. D9/529
D468,404 S * 1/2003 Hunter D23/254
D509,994 S * 9/2005 Hadland D7/587

* cited by examiner

Primary Examiner—Robert M. Spear

Assistant Examiner—Susan Bennett Hattan

(74) *Attorney, Agent, or Firm*—Jeffrey V. Bamber; Laura R. Grunzinger

(57) **CLAIM**

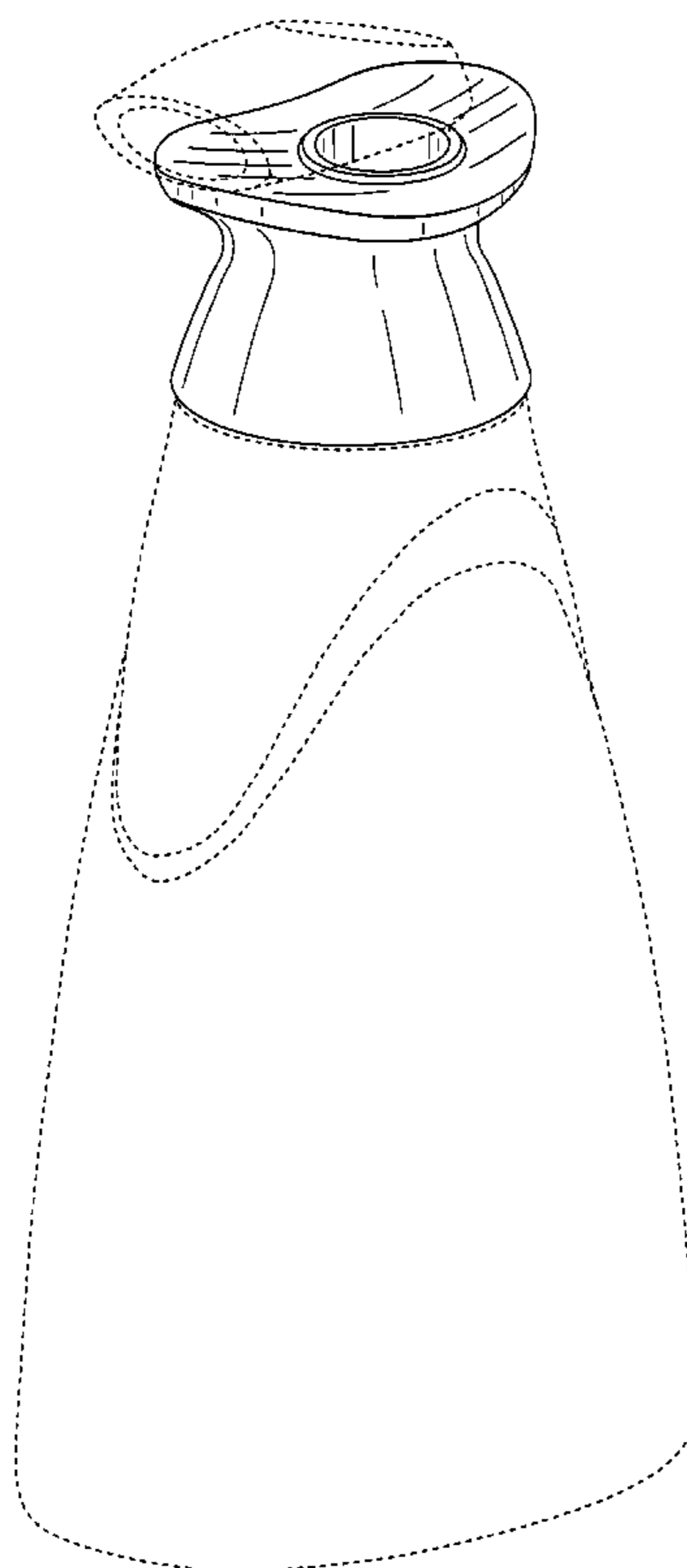
The ornamental design for a bottle transition piece, as shown and described.

DESCRIPTION

FIG. 1 is a perspective view of a bottle transition piece, embodying our new design;
FIG. 2 is a front view thereof;
FIG. 3 is a back view thereof,
FIG. 4 is a left side view thereof,
FIG. 5 is a right side view thereof; and,
FIG. 6 is a top plan view thereof.

The broken lines in the drawings are for illustrative purposes only and form no part of the claimed design.

1 Claim, 4 Drawing Sheets



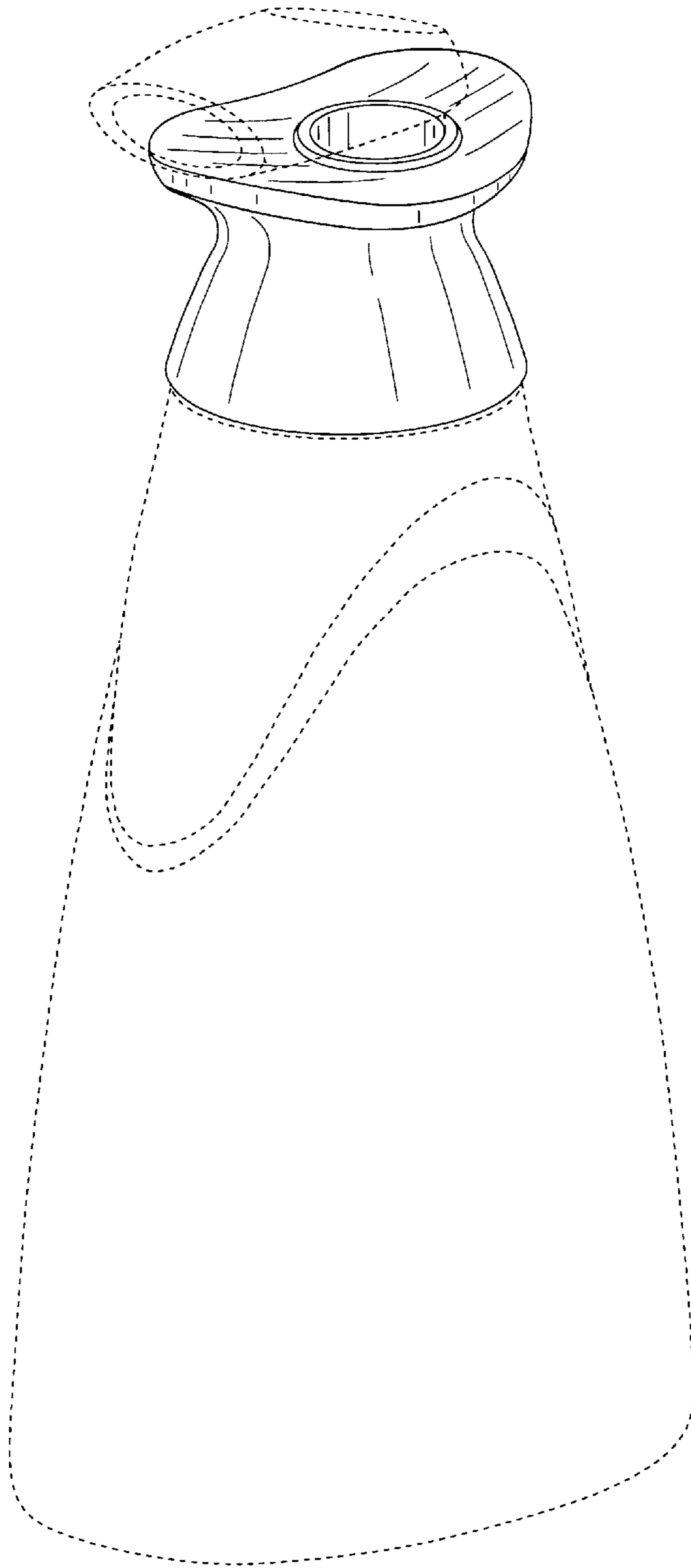


Fig. 1

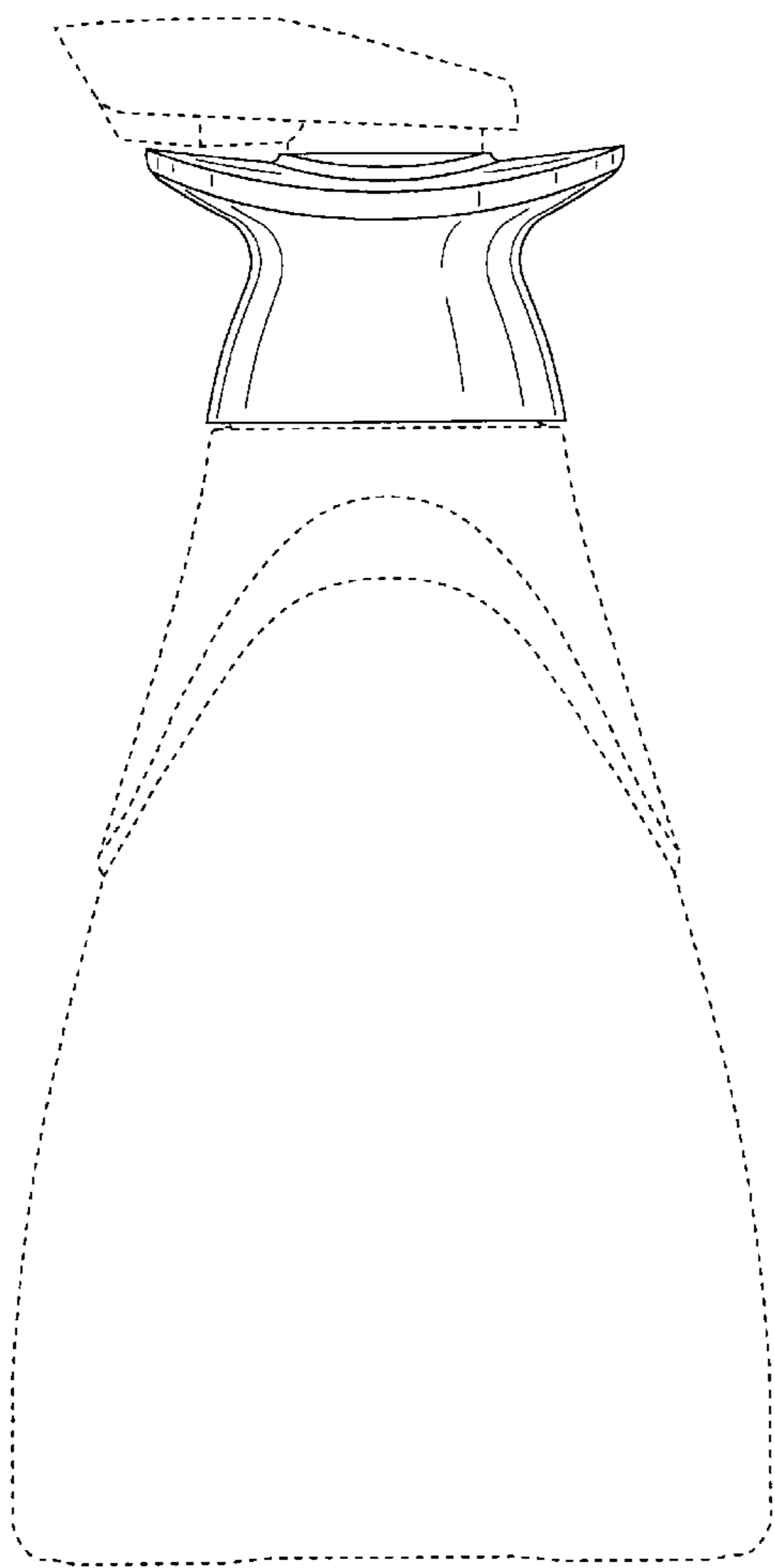


Fig. 2

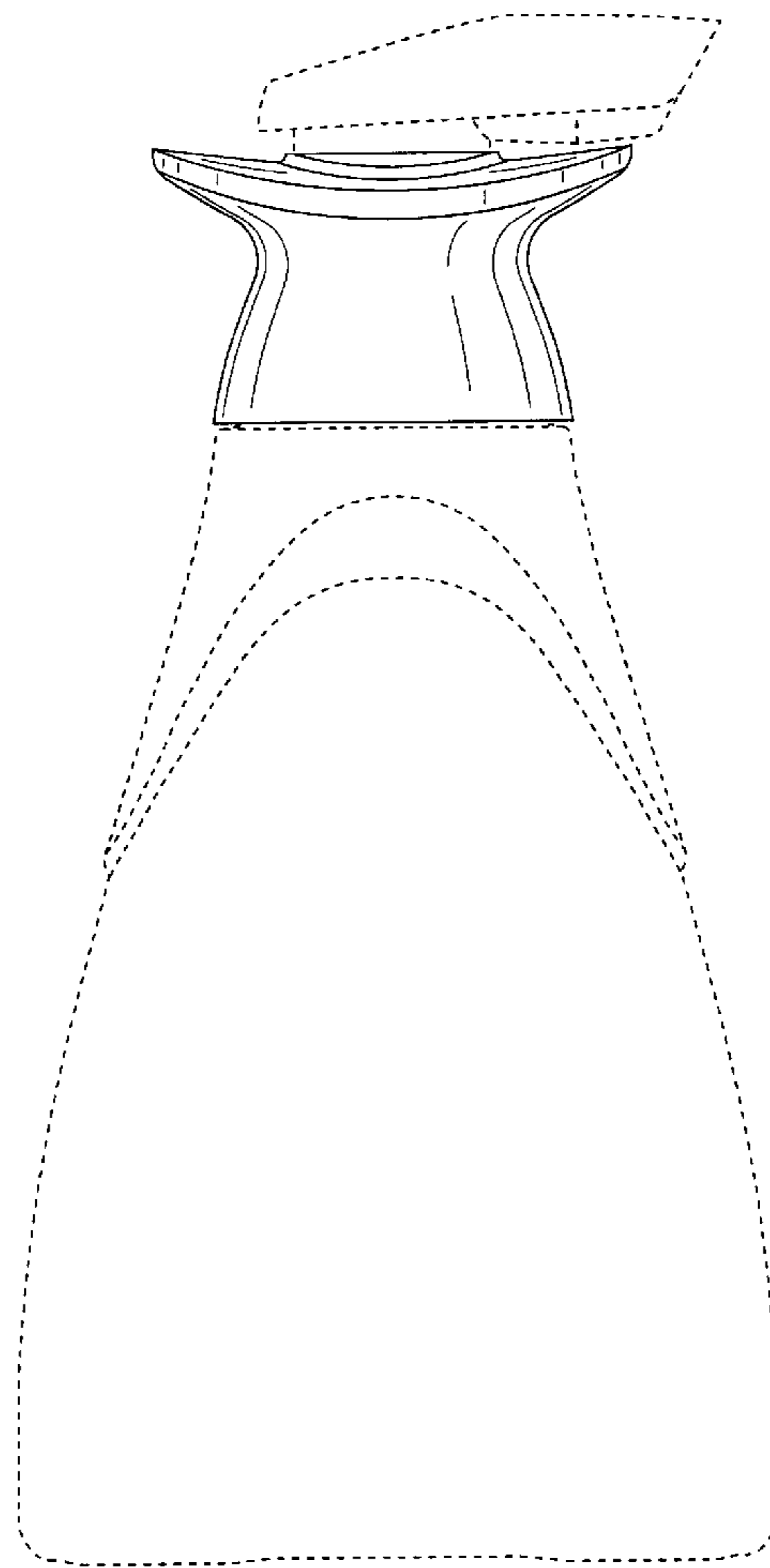


Fig. 3

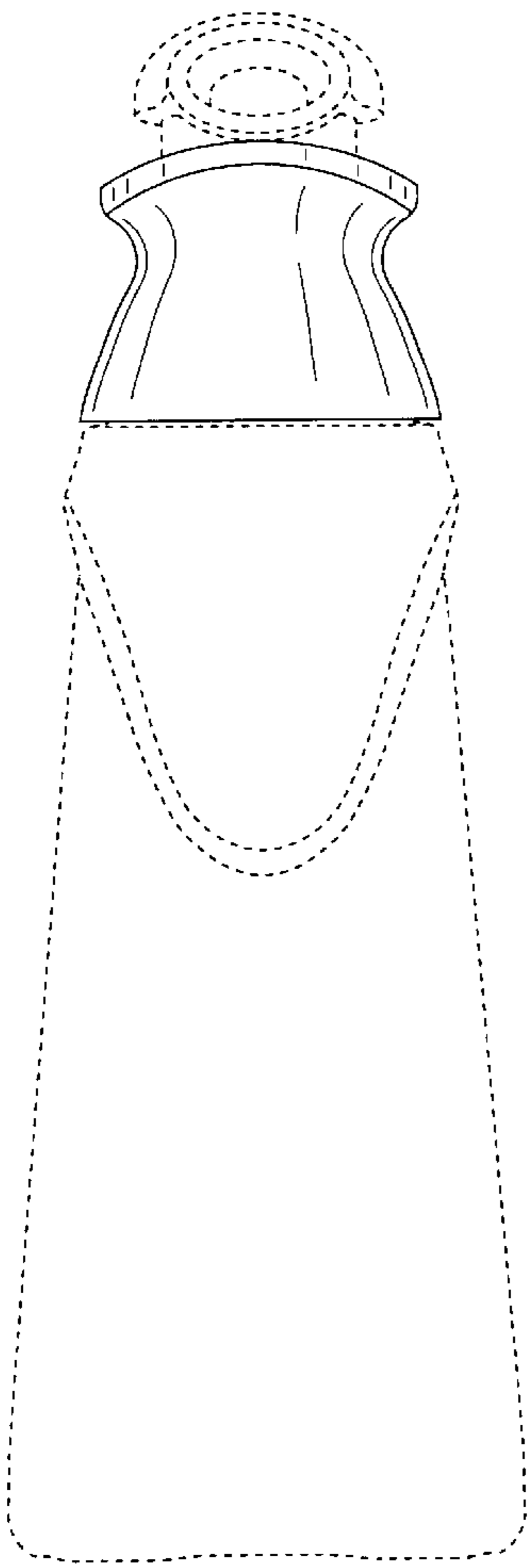


Fig. 4

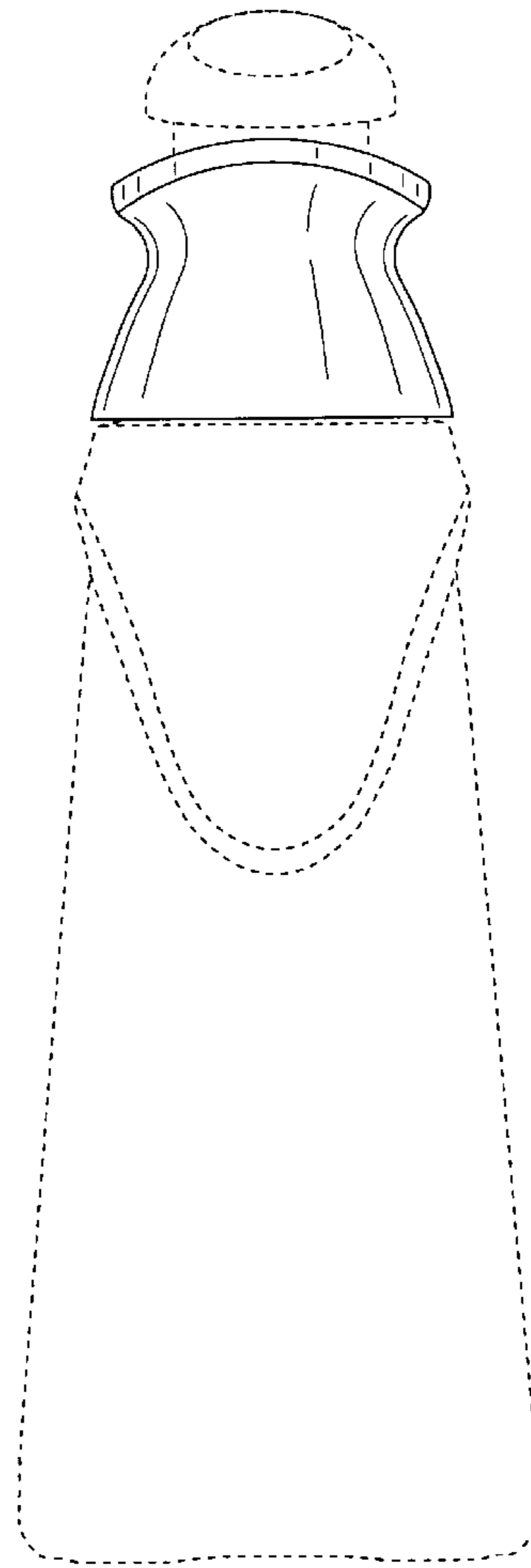


Fig. 5

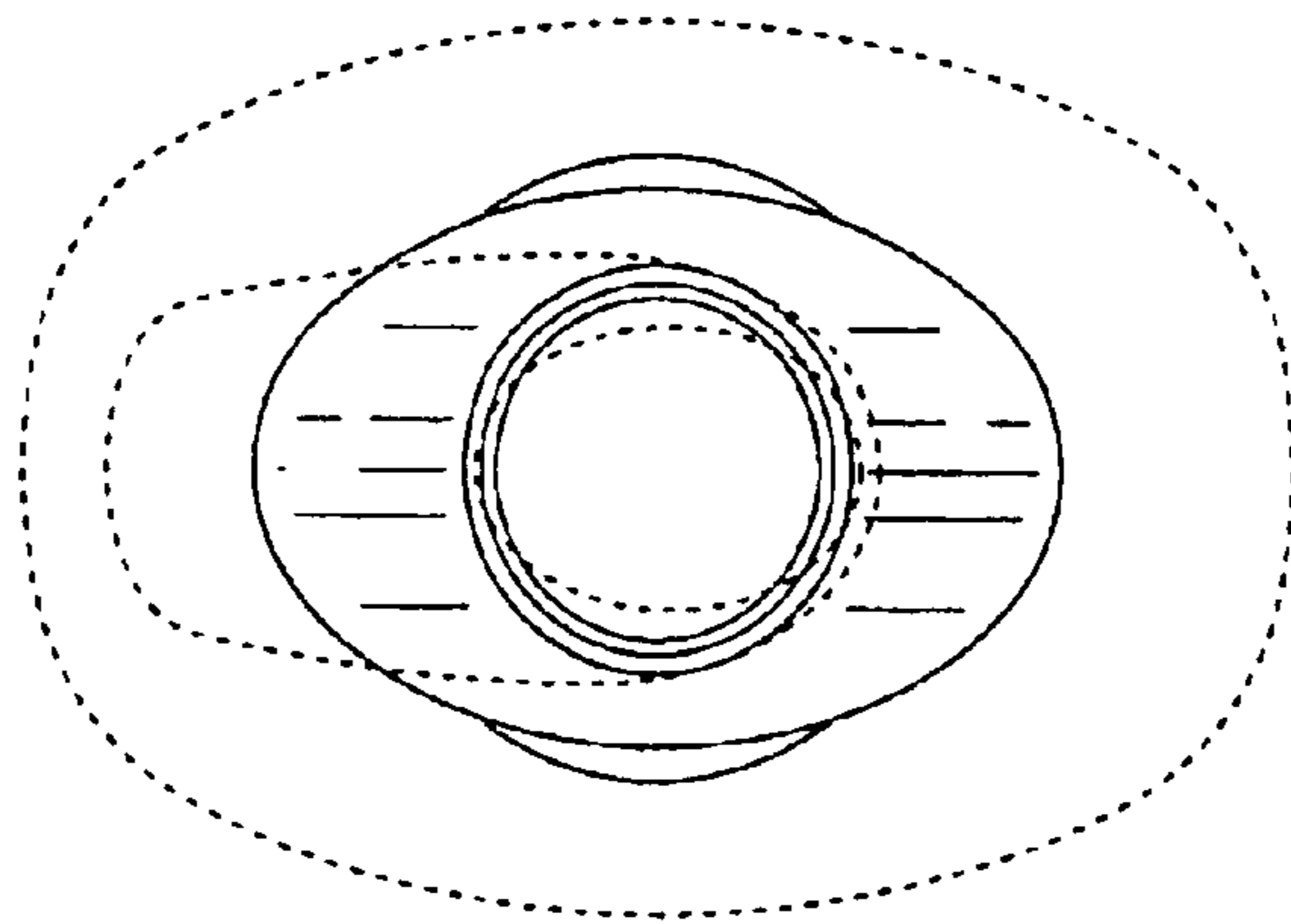


Fig. 6