

US00D526887S

(12) **United States Design Patent** (10) **Patent No.:** **US D526,887 S**
Remmers et al. (45) **Date of Patent:** **** Aug. 22, 2006**

(54) **TRACK FOR A SHELVING SYSTEM**

5,027,959 A 7/1991 Luukkonen
5,050,832 A 9/1991 Lee et al.

(75) Inventors: **Lee E. Remmers**, Ocala, FL (US);
John Richard Nawrocki, Ocala, FL
(US)

(Continued)

FOREIGN PATENT DOCUMENTS

(73) Assignee: **Clairson, Inc.**, Newark, DE (US)

CA 2245809 8/1998

(**) Term: **14 Years**

OTHER PUBLICATIONS

(21) Appl. No.: **29/239,195**

U.S. Appl. No. 60/434,470, filed Dec. 18, 2002, Costa et al.

(22) Filed: **Sep. 27, 2005**

Primary Examiner—Holly Baynham

(74) *Attorney, Agent, or Firm*—Harness, Dickey & Pierce,
P.L.C.

Related U.S. Application Data

(57) **CLAIM**

(63) Continuation of application No. 11/231,381, filed on Sep. 21, 2005, which is a continuation-in-part of application No. 11/194,849, filed on Aug. 1, 2005, which is a division of application No. 10/657,855, filed on Sep. 9, 2003, now Pat. No. 6,953,176, and a continuation of application No. 09/436,363, filed on Nov. 9, 1999, now Pat. No. 6,669,154.

The ornamental design for a track for a shelving system, as shown and described.

DESCRIPTION

(51) **LOC (8) Cl.** **08-05**
(52) **U.S. Cl.** **D8/373; D8/380**
(58) **Field of Classification Search** D8/349,
D8/354, 377; D25/119-125; 248/225.01,
248/243; 211/94.01

FIG. 1 is a front perspective view of a track for a shelving system, showing our new design;
FIG. 2 is a back perspective view of the track for a shelving system shown in FIG. 1;
FIG. 3 is a left side elevation view of the track for a shelving system shown in FIG. 1;
FIG. 4 is a right side elevation view of the track for a shelving system shown in FIG. 1;
FIG. 5 is a front elevation view of the track for a shelving system shown in FIG. 1;
FIG. 6 is a back elevation view of the track for a shelving system shown in FIG. 1;
FIG. 7 is a bottom plan view of the track for a shelving system shown in FIG. 1;
FIG. 8 is a top plan view of the track for a shelving system shown in FIG. 1; and,
FIG. 9 is a reduced scale perspective view of the track for a shelving system shown in FIG. 1 being used to support a standard.

See application file for complete search history.

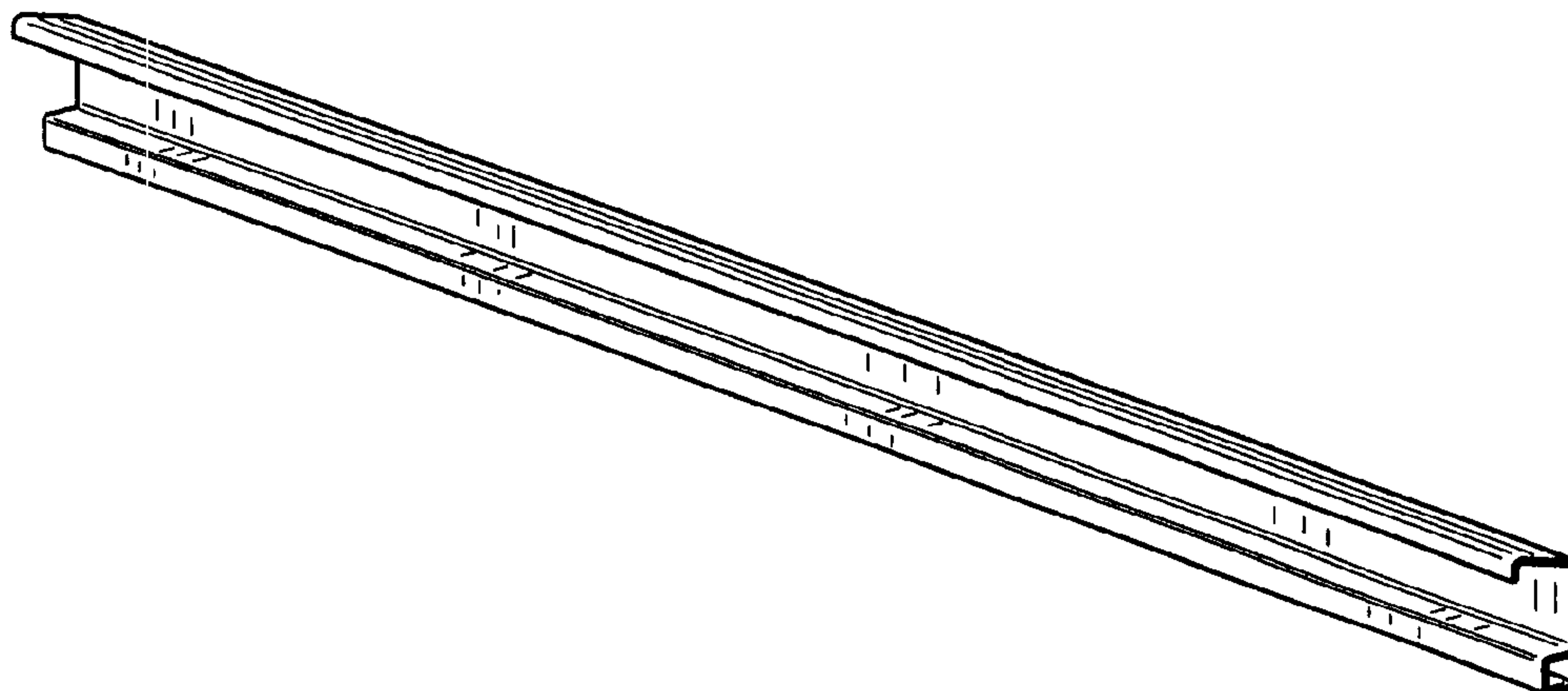
The broken line showing is for illustrative purposes only and forms no part of the claimed design.

(56) **References Cited**

U.S. PATENT DOCUMENTS

3,208,406 A 9/1965 Maslow
3,225,720 A 12/1965 Maslow
3,540,561 A * 11/1970 Heptner et al. 193/35 R
3,717,258 A 2/1973 McKinnon
3,763,794 A 10/1973 Fleck
4,004,526 A 1/1977 King
4,311,295 A 1/1982 Jamar, Jr.
4,403,761 A 9/1983 Jamar
D275,434 S 9/1984 Taub
D286,495 S 11/1986 Blomdahl
4,666,201 A 5/1987 Chap
4,678,151 A 7/1987 Radek
4,694,966 A 9/1987 Sorenson et al.
4,843,977 A 7/1989 Bridges

1 Claim, 2 Drawing Sheets



U.S. PATENT DOCUMENTS

| | | | | | |
|---------------|---------|------------------------------|-----------------|---------|------------------|
| 5,101,989 A | 4/1992 | Jones | 6,135,298 A | 10/2000 | Lechman |
| 5,110,080 A | 5/1992 | Rieman | 6,290,075 B1 | 9/2001 | Cheimets et al. |
| 5,135,194 A | 8/1992 | Laughon et al. | 6,460,469 B1 | 10/2002 | Dickinson et al. |
| 5,185,971 A | 2/1993 | Johnson, Jr. | 6,520,355 B1 | 2/2003 | Pritchard et al. |
| 5,377,813 A * | 1/1995 | Markin et al. 198/465.1 | 6,575,315 B1 | 6/2003 | Zidek |
| 5,513,908 A | 5/1996 | Williams | 6,659,295 B1 | 12/2003 | De Land et al. |
| 5,549,379 A | 8/1996 | Jun et al. | 6,666,153 B1 | 12/2003 | Dickinson et al. |
| 5,638,644 A | 6/1997 | Bastian | 6,669,154 B1 | 12/2003 | Remmers |
| 5,725,110 A | 3/1998 | Kluge et al. | 6,758,355 B1 | 7/2004 | Zidek |
| 5,819,958 A | 10/1998 | Dement | 6,953,176 B1 | 10/2005 | Remmers |
| 5,897,002 A | 4/1999 | Carlino | 2004/0007549 A1 | 1/2004 | Klein et al. |
| 6,050,426 A | 4/2000 | Leurdijk | 2004/0045919 A1 | 3/2004 | Remmers |
| D425,734 S | 5/2000 | Bauer | 2005/0011420 A1 | 1/2005 | Costa et al. |
| 6,119,878 A | 9/2000 | Zen | 2005/0145588 A1 | 7/2005 | Stitchick et al. |

* cited by examiner

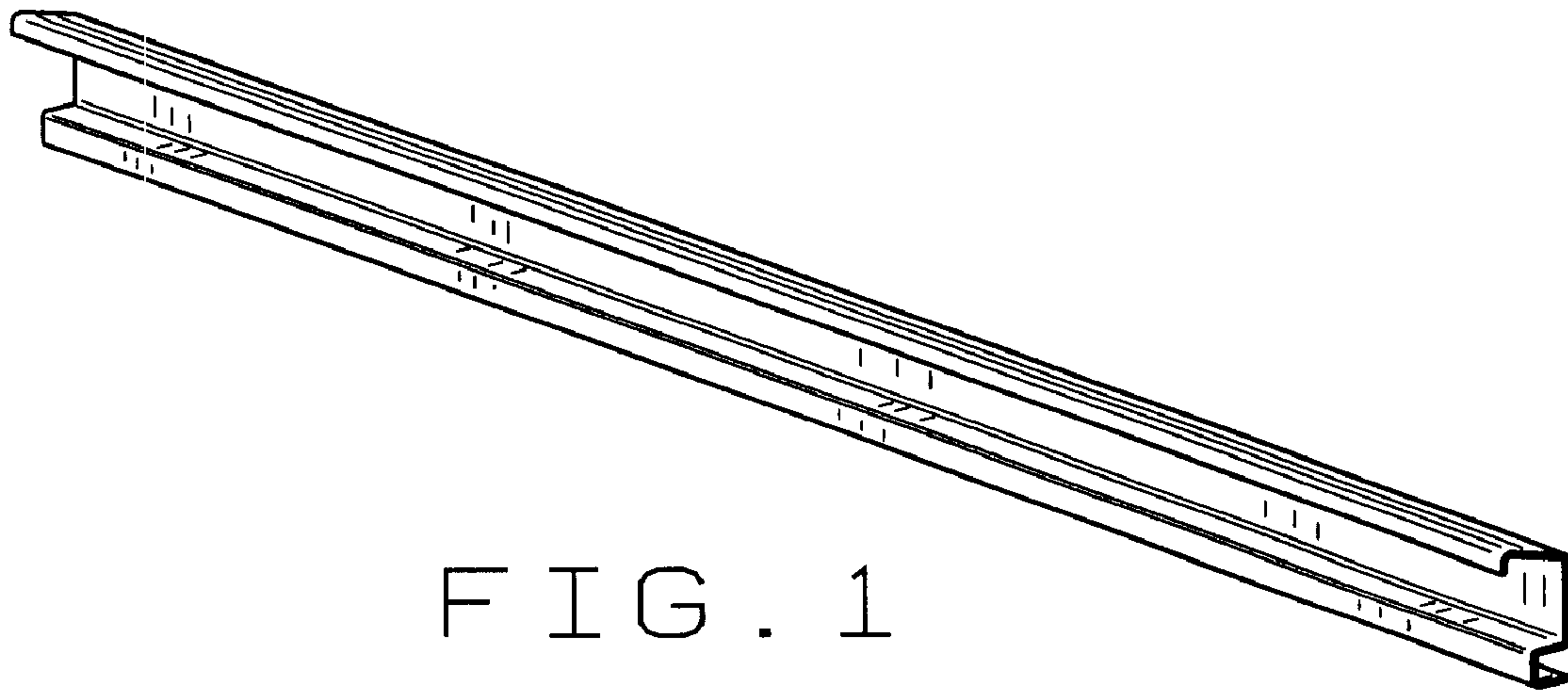


FIG. 1

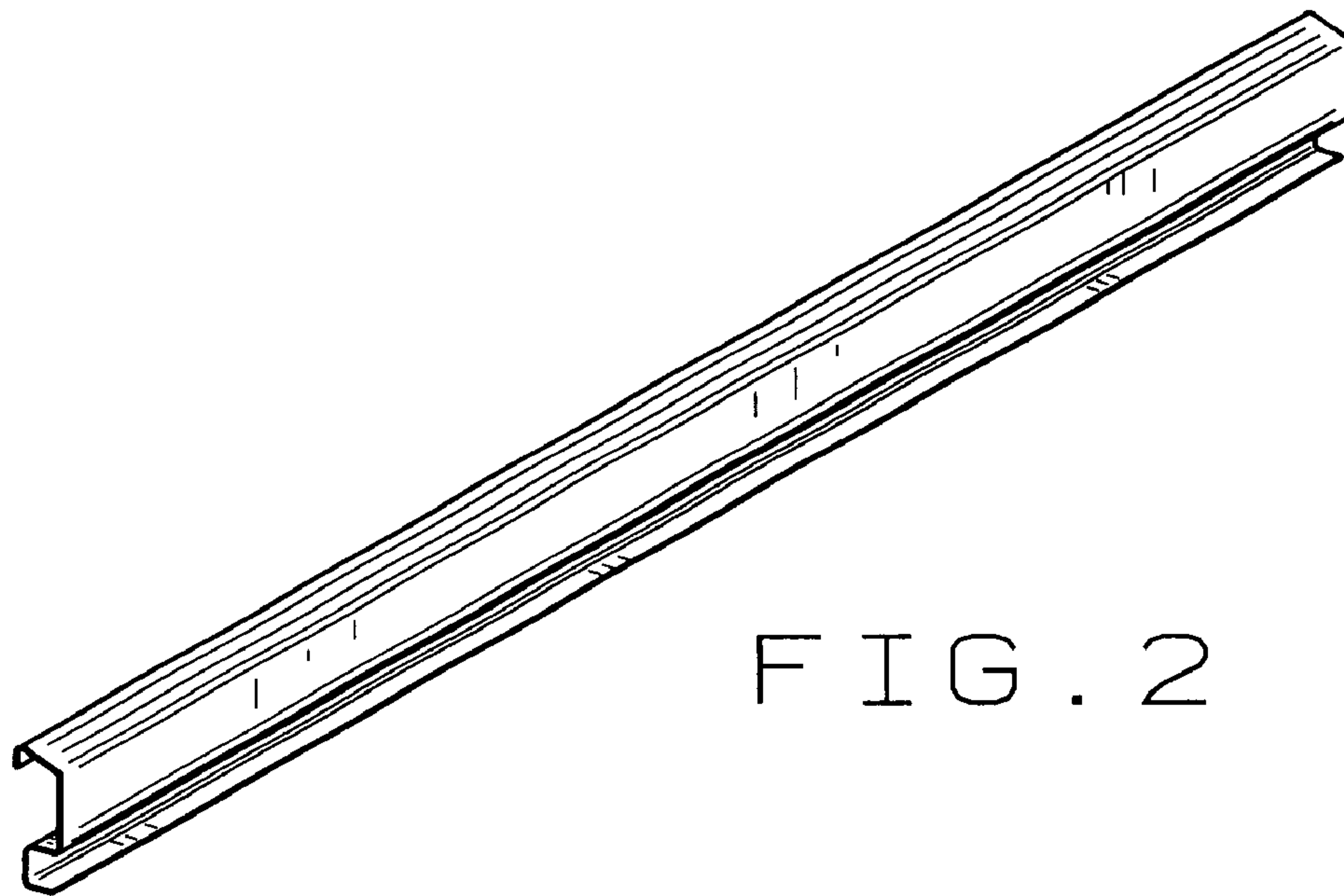


FIG. 2

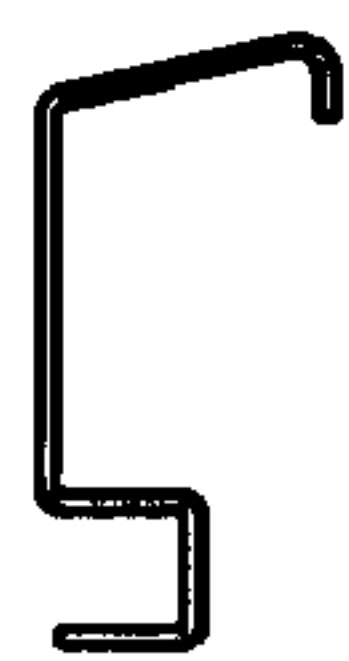


FIG. 3



FIG. 4

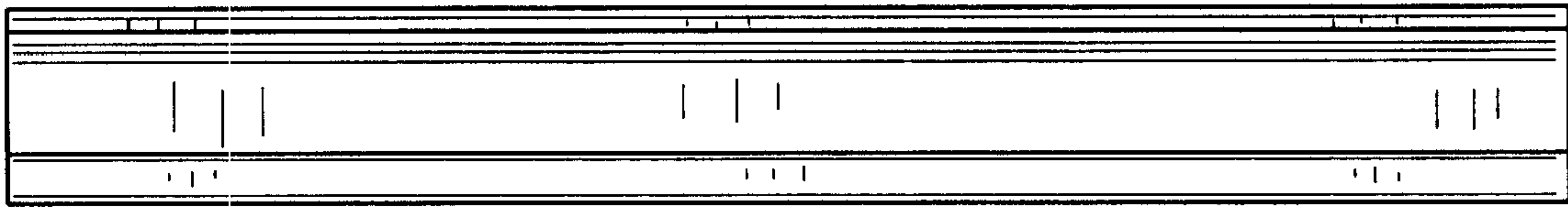


FIG. 5

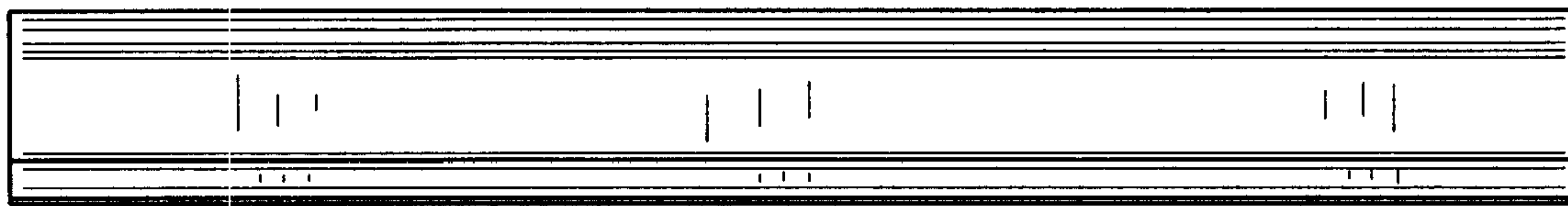


FIG. 6

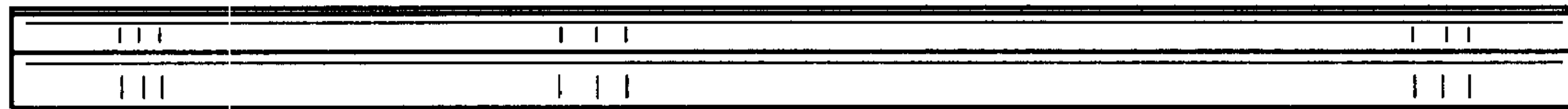


FIG. 7

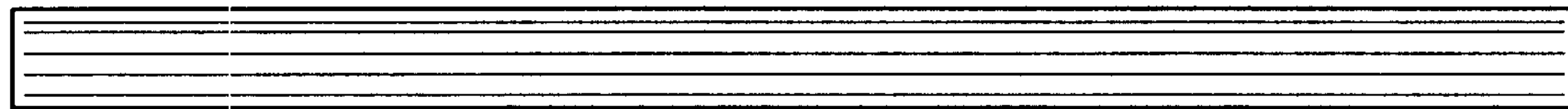


FIG. 8

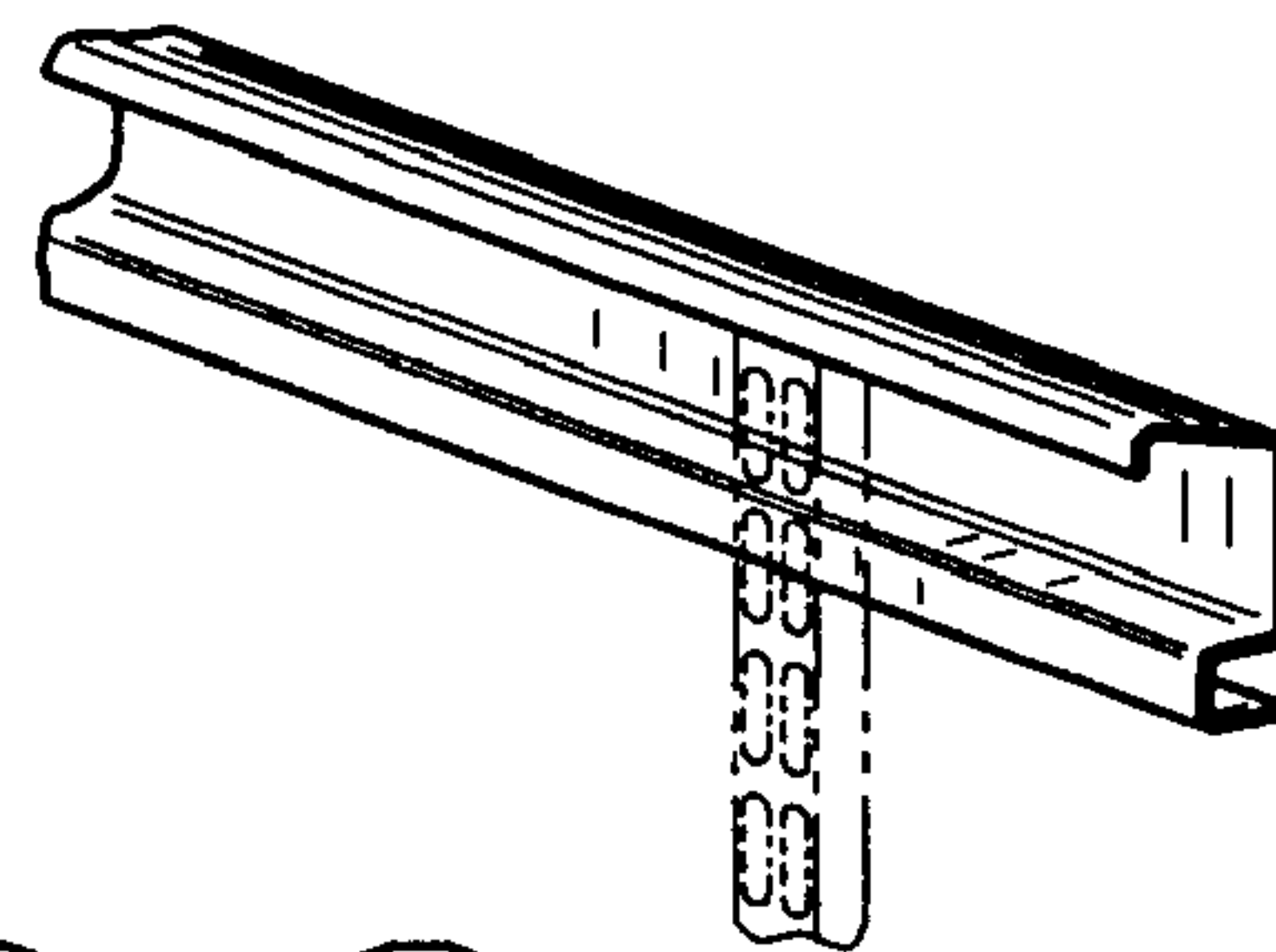


FIG. 9