



US00D526885S

(12) **United States Design Patent**  
**Kelleghan**

(10) **Patent No.:** **US D526,885 S**

(45) **Date of Patent:** **\*\* Aug. 22, 2006**

(54) **HEXAGON SHAPED CARABINER**

(75) Inventor: **Brian James Kelleghan**, Longmont,  
CO (US)

(73) Assignee: **Bison Design, LLC**, Longmont, CO  
(US)

(\*\*) Term: **14 Years**

(21) Appl. No.: **29/218,708**

(22) Filed: **Dec. 7, 2004**

(51) **LOC (8) Cl.** ..... **08-05**

(52) **U.S. Cl.** ..... **D8/356**

(58) **Field of Classification Search** ..... D8/356,  
D8/397; D11/4, 14, 25, 30; 24/573.5, 599.1,  
24/599.5

See application file for complete search history.

(56) **References Cited**

**U.S. PATENT DOCUMENTS**

D30,898 S	*	5/1899	Paine	.....	D8/397
1,335,613 A	*	3/1920	Selle	.....	411/368
2,148,959 A	*	2/1939	Pavlecka	.....	411/302
D140,317 S	*	2/1945	Allen	.....	D8/397
D186,858 S	*	12/1959	Reiner	.....	D8/397
D261,854 S		11/1981	Nielsen		
D281,051 S		10/1985	Nielsen		
D289,364 S		4/1987	Bass		
6,089,131 A	*	7/2000	Taimiot	.....	81/186
D441,638 S		5/2001	Kelleghan		
D442,449 S		5/2001	McQuillan		
D447,680 S		9/2001	Kelleghan		
D447,933 S		9/2001	Kelleghan		
D454,054 S		3/2002	Kelleghan		
D456,693 S		5/2002	Kelleghan		

D457,304 S	5/2002	Yuen
D465,995 S	11/2002	Kelleghan
D467,157 S	12/2002	Kelleghan
D470,393 S	2/2003	Kelleghan
D473,781 S	4/2003	Kelleghan
D475,604 S	6/2003	Kelleghan
D480,944 S	10/2003	Kelleghan
D482,251 S	11/2003	Kelleghan
D486,377 S	2/2004	Kelleghan
D488,706 S	4/2004	Shalljian
D491,047 S	6/2004	Kelleghan
D491,790 S	6/2004	Kelleghan

\* cited by examiner

*Primary Examiner*—Holly Baynham

(74) *Attorney, Agent, or Firm*—Margaret Polson; Patent  
Law Office of Rick Martin, PC

(57) **CLAIM**

The ornamental design for a hexagon shaped carabiner, as  
shown and described.

**DESCRIPTION**

FIG. 1 is a top or bottom plan view, which are mirror images,  
of my new design for a hexagon shaped carabiner.

FIG. 2 is a right elevation view of the hexagon shaped  
carabiner shown in FIG. 1.

FIG. 3 is a left side elevation view of the hexagon shaped  
carabiner shown in FIG. 1.

FIG. 4 is a front side elevation view of the hexagon shaped  
carabiner shown in FIG. 1.

FIG. 5 is a rear side elevation view of the hexagon shaped  
carabiner shown in FIG. 1; and,

FIG. 6 is a top perspective view of the hexagon shaped  
carabiner shown in FIG. 1.

**1 Claim, 1 Drawing Sheet**

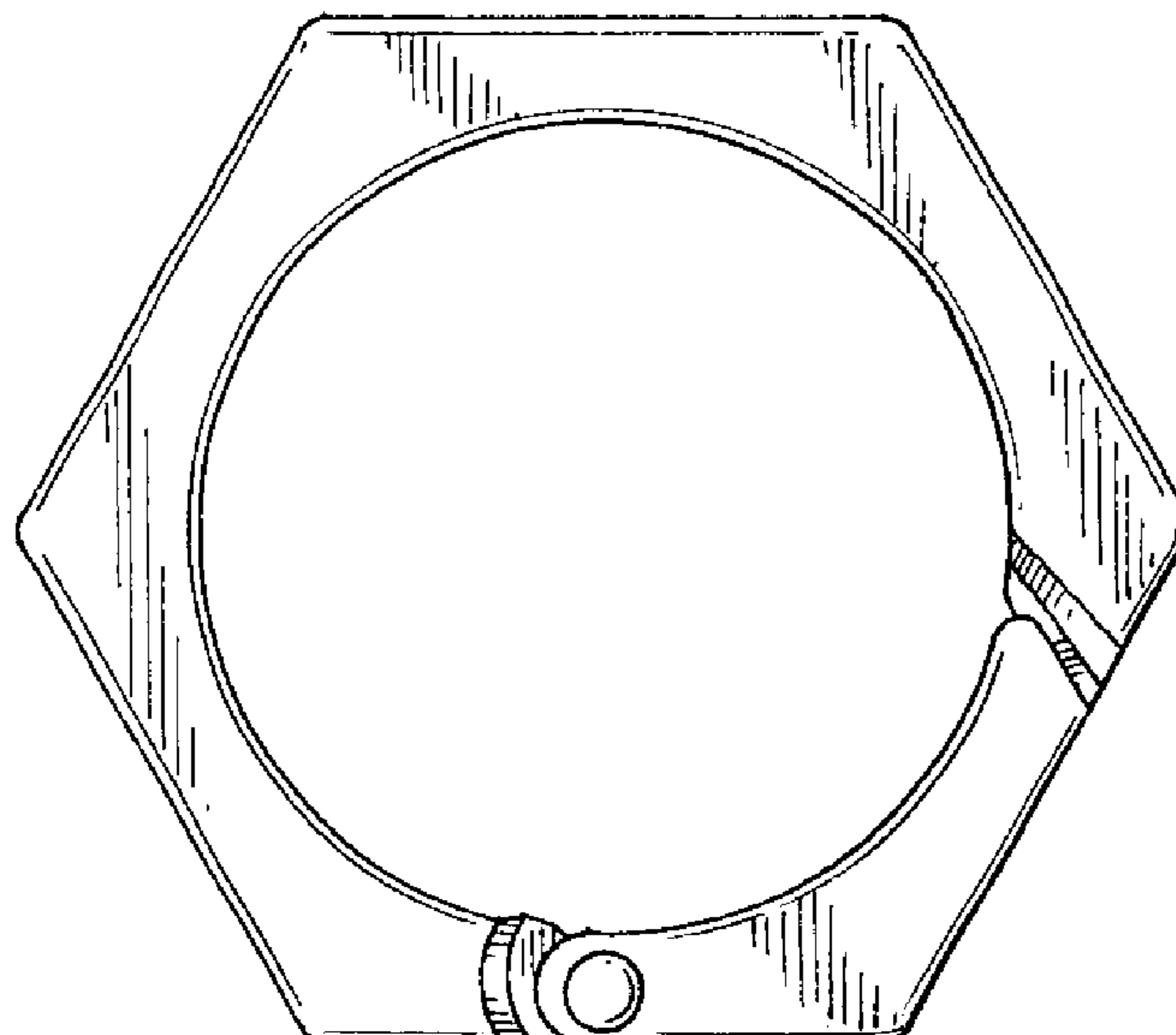




FIG. 4

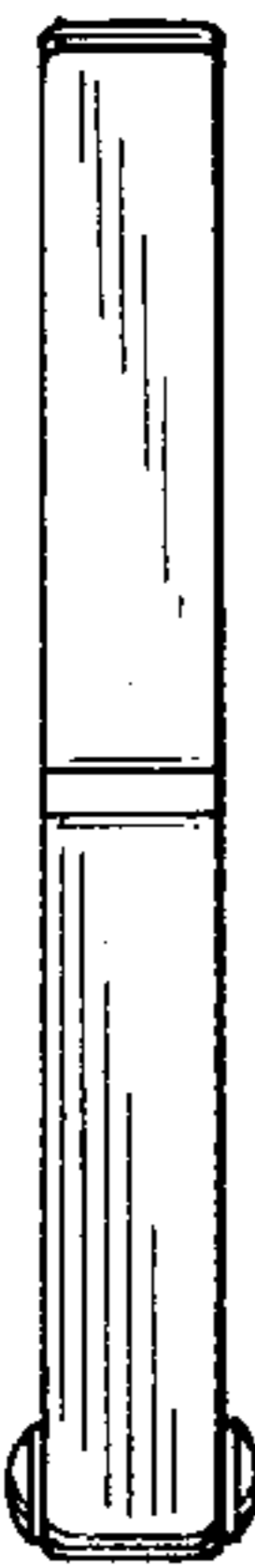


FIG. 2

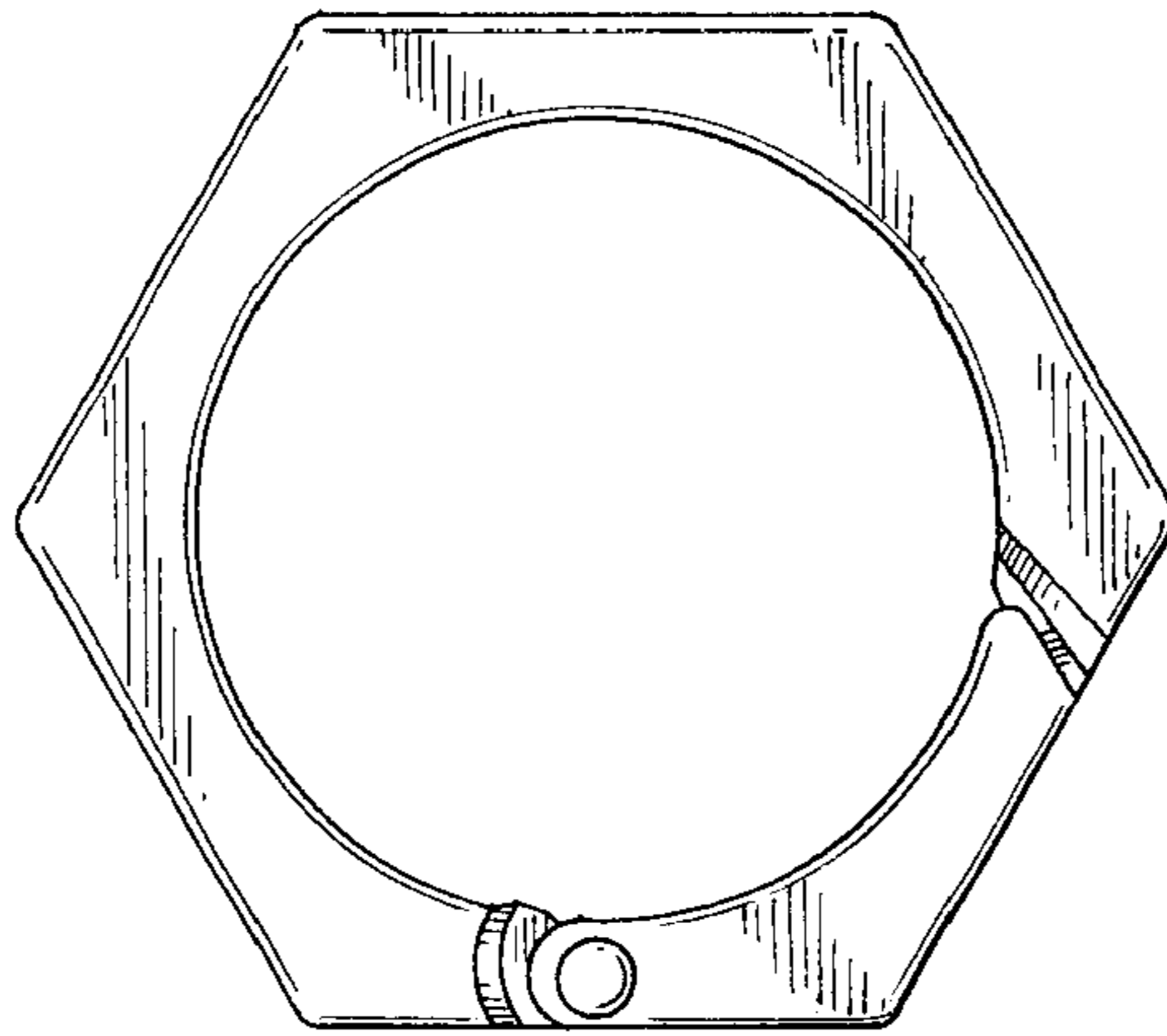


FIG. 1

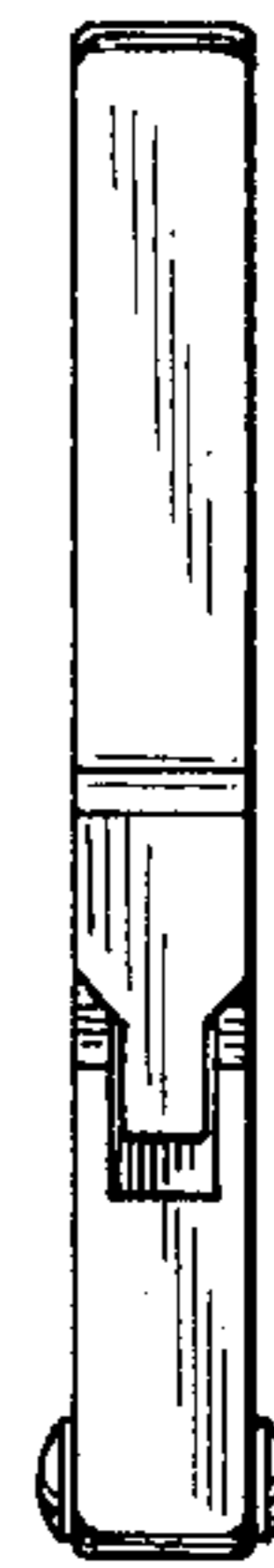


FIG. 3

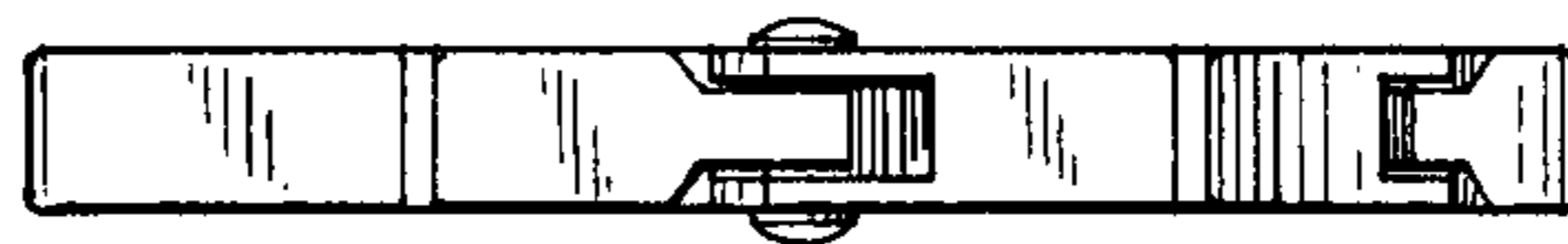


FIG. 5

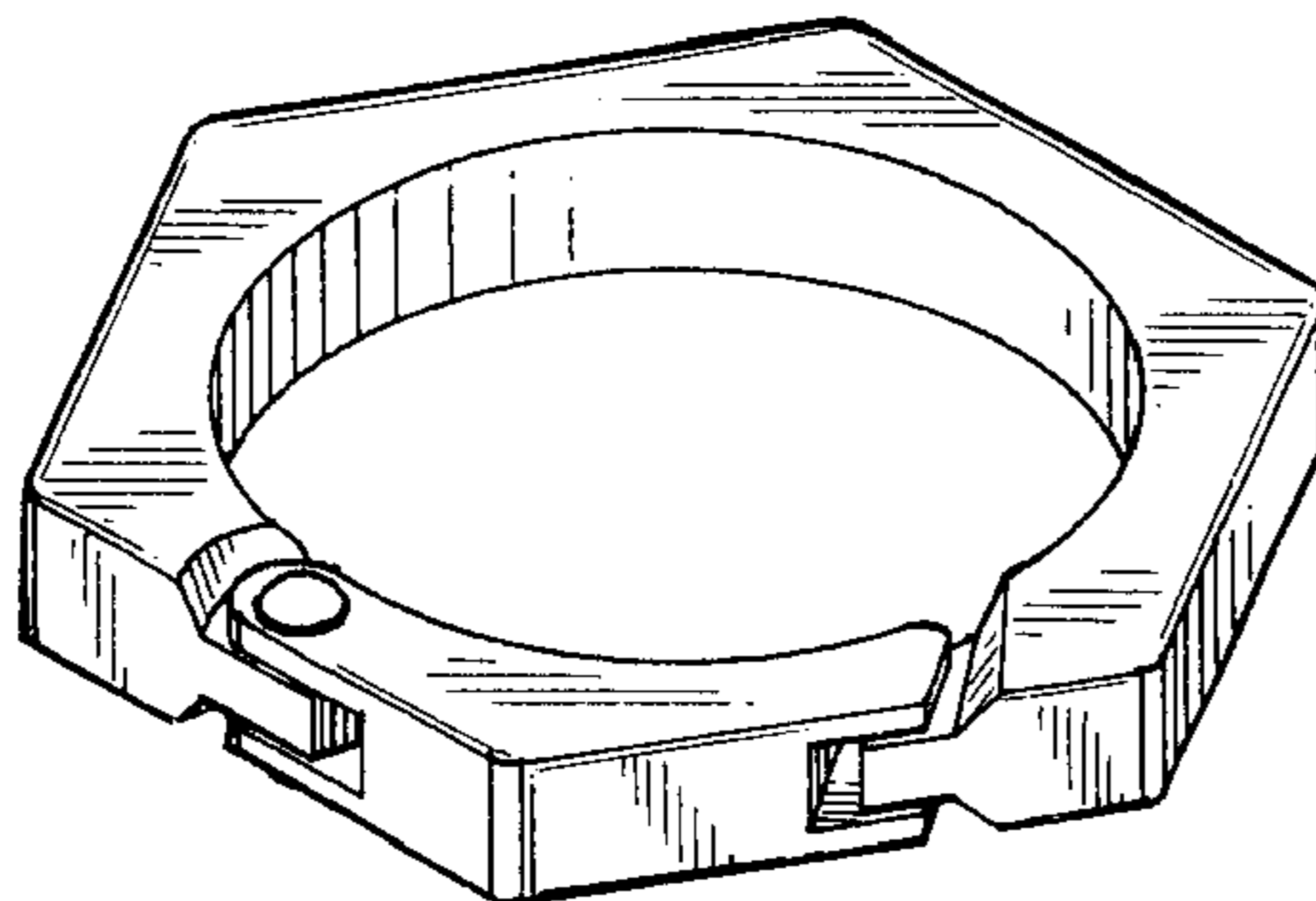


FIG. 6