

US00D526884S

(12) **United States Design Patent**
White et al.

(10) **Patent No.:** **US D526,884 S**

(45) **Date of Patent:** **** Aug. 22, 2006**

(54) **DECORATIVE COVER FOR A PULL OUT WAND HANDLE**

D468,404 S * 1/2003 Hunter D23/249
D473,287 S * 4/2003 Hsu D23/223
6,553,796 B1 * 4/2003 Finch 70/208

(75) Inventors: **Kevin P. White**, Des Plaines, IL (US);
Steven R. Edwards, Lake Bluff, IL (US)

* cited by examiner

Primary Examiner—Paula A. Greene

(73) Assignee: **Jing Mei Industrial Holdings LTD**,
Raratonga (CK)

(74) *Attorney, Agent, or Firm*—Donald E. Egan

(**) Term: **14 Years**

(57) **CLAIM**

The ornamental design for a decorative cover for a pull out wand handle, as shown and described.

(21) Appl. No.: **29/223,510**

DESCRIPTION

(22) Filed: **Feb. 15, 2005**

(51) **LOC (8) Cl.** **08-06**

(52) **U.S. Cl.** **D8/321**

(58) **Field of Classification Search** D8/300,
D8/321, 331, 338, 352, 336, 354; D23/249,
D23/254, 255, 347, 213, 352, 223, 238–243;
70/174, 208, 224; 239/282, 283, 273, 525–527
See application file for complete search history.

FIG. 1 is a perspective view of a decorative cover for a pull out wand handle, showing my new design;
FIG. 2 is a top view of the decorative cover;
FIG. 3 is a side view of the decorative cover;
FIG. 4 is a perspective view of the decorative cover, showing the decorative cover positioned in a pull out wand handle;
FIG. 5 is a top view of the decorative cover positioned in a pull out wand handle;
FIG. 6 is a side view of the decorative cover positioned in a pull out wand handle; and,
FIG. 7 is an end view the decorative cover positioned in a pull out wand handle.

(56) **References Cited**

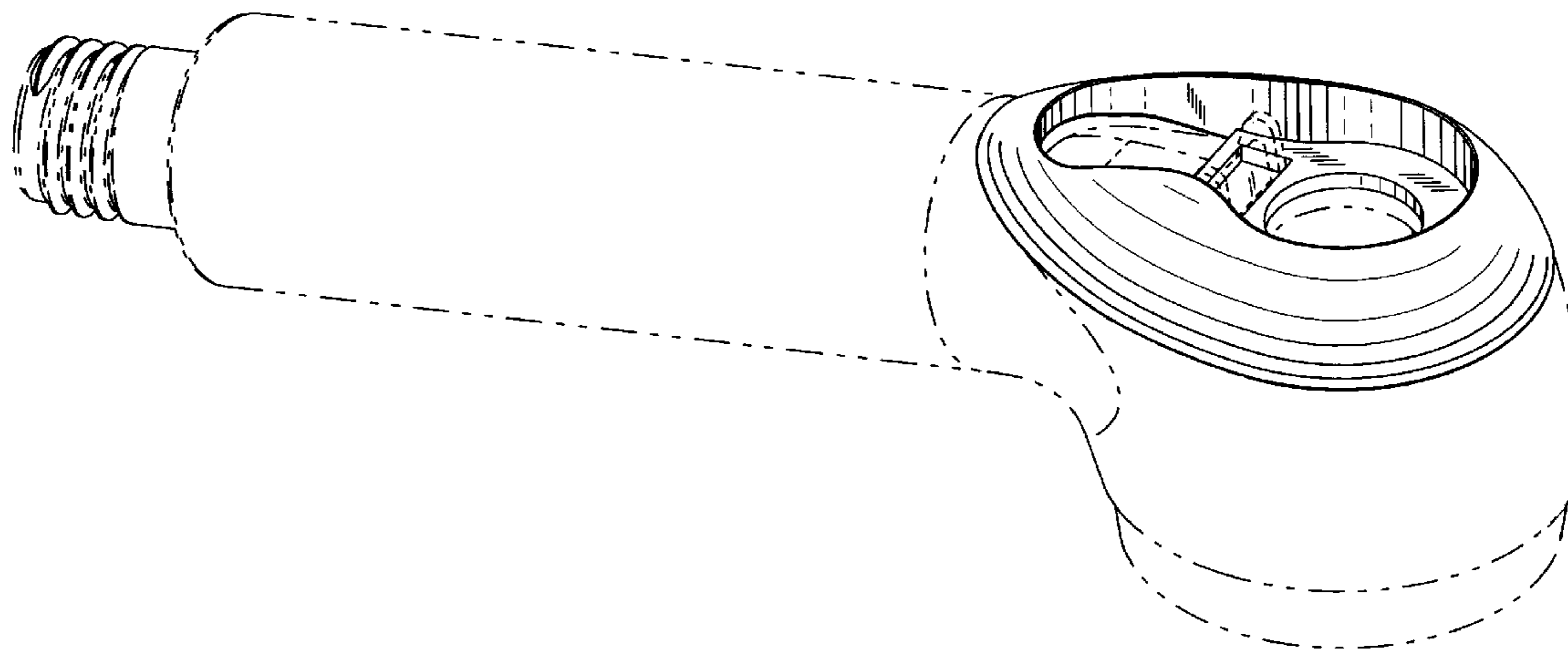
U.S. PATENT DOCUMENTS

D321,468 S * 11/1991 Reid D8/352
D352,766 S * 11/1994 Hill et al. D23/213
D415,826 S * 10/1999 Costello et al. D23/255
D432,623 S * 10/2000 Sawhney et al. D23/223
D433,487 S * 11/2000 Milrud et al. D23/254
6,412,319 B1 * 7/2002 Adelmeyer et al. 70/224

The bottom of the decorative cover, not shown, is substantially unadorned.

The broken lines in FIGS. 4, 5, 6, and 7 are for illustrative purposes only and forms no part of the claimed design.

1 Claim, 3 Drawing Sheets



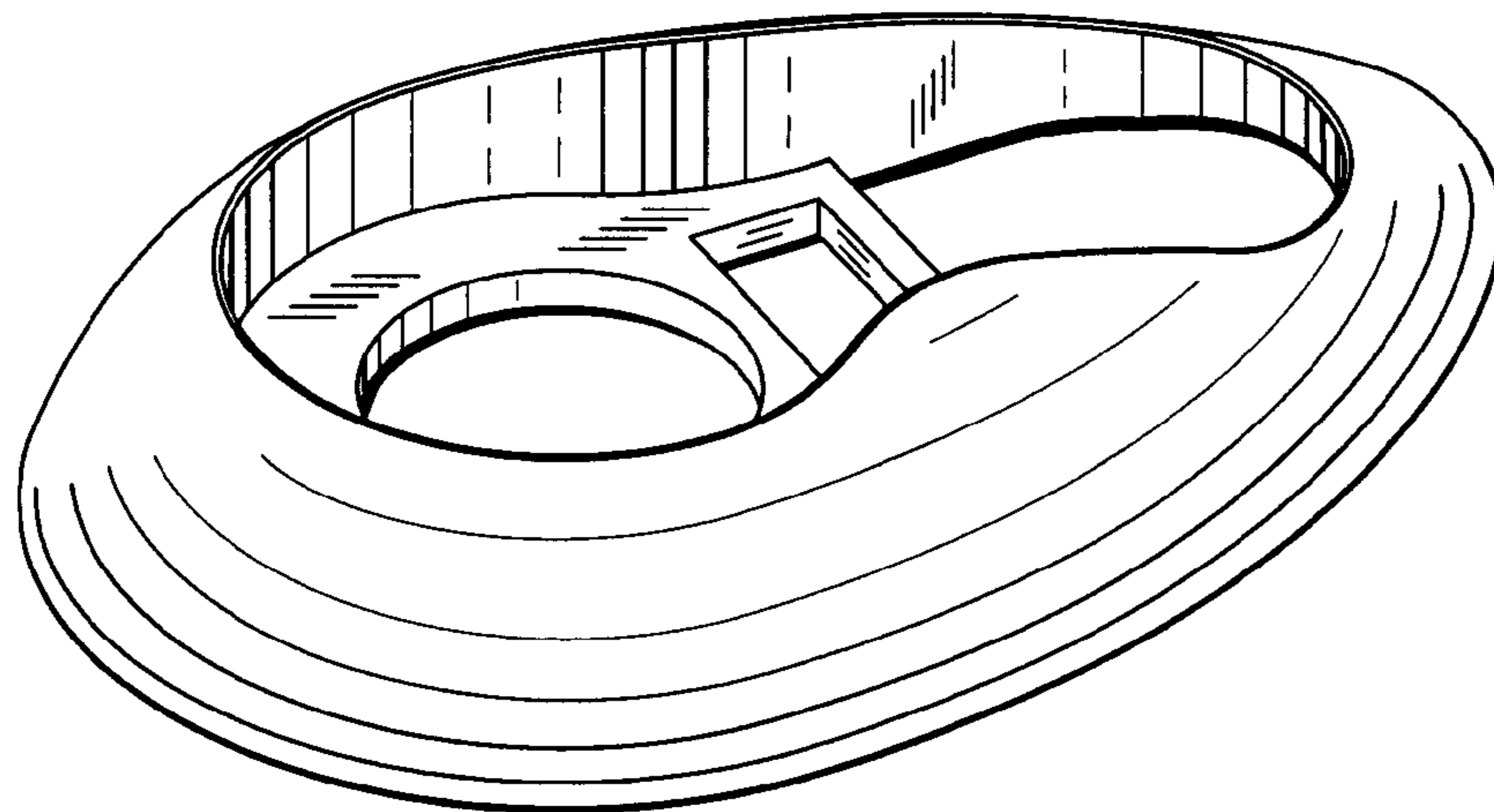


FIG. 1

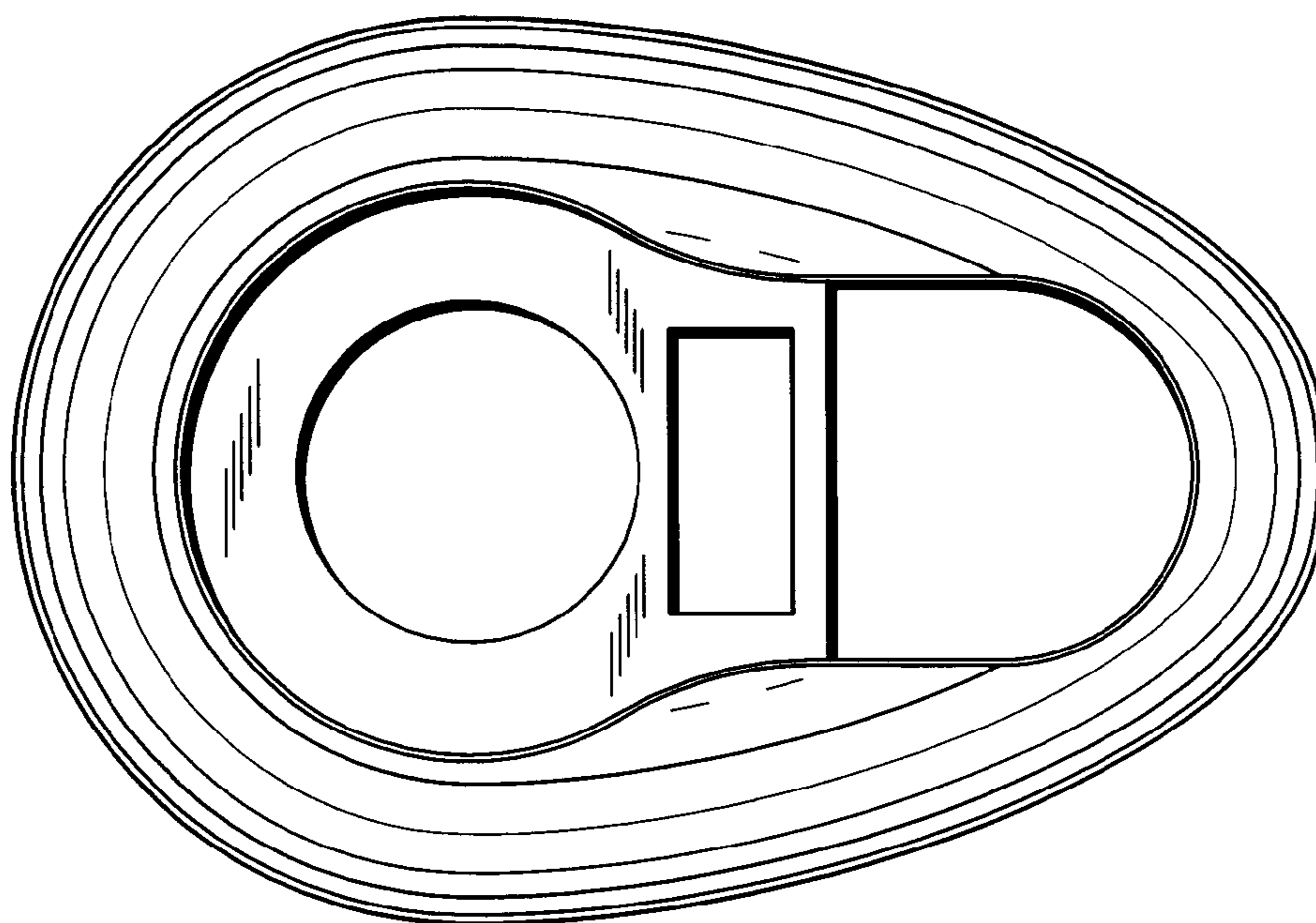


FIG. 2

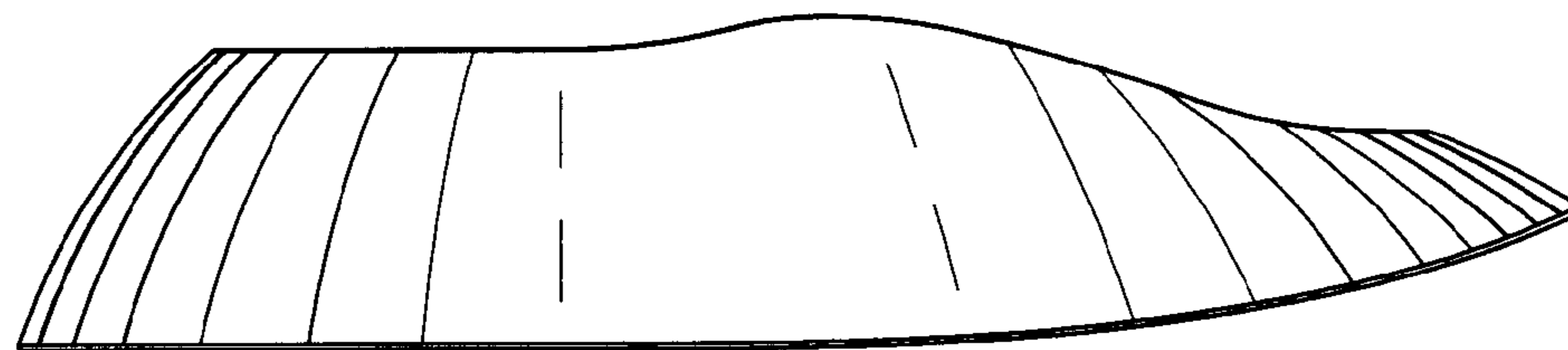


FIG. 3

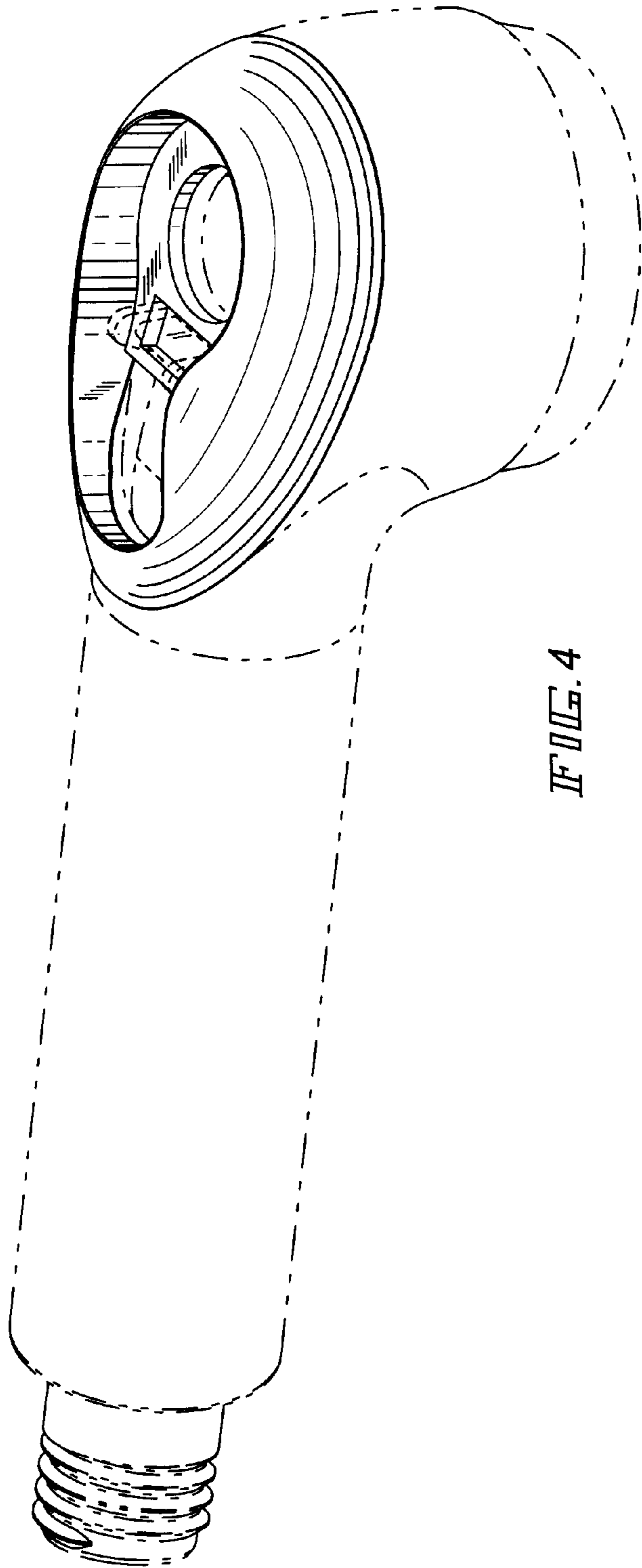


FIG. 4

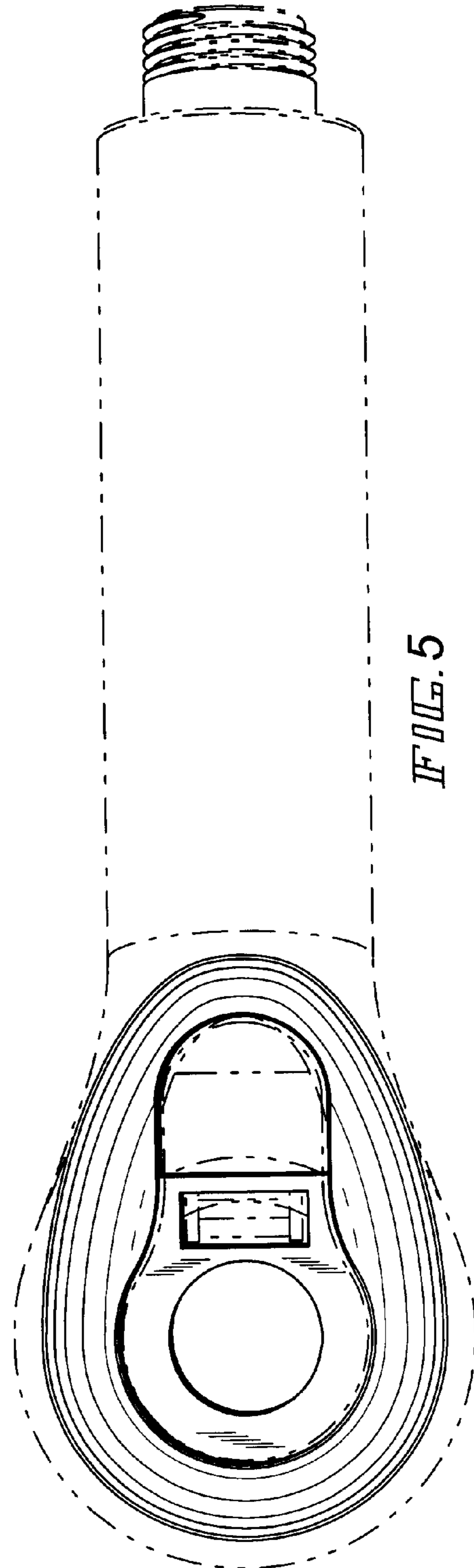


FIG. 5

