

US00D526883S

(12) **United States Design Patent**  
**Gilbert**

(10) **Patent No.:** **US D526,883 S**

(45) **Date of Patent:** **\*\* Aug. 22, 2006**

- (54) **KNOB**
- (75) Inventor: **Christopher Jon Gilbert**, Moreland Hills, OH (US)
- (73) Assignee: **Moen Incorporated**, North Olmsted, OH (US)
- (\*\*) Term: **14 Years**
- (21) Appl. No.: **29/221,130**
- (22) Filed: **Jan. 12, 2005**
- (51) **LOC (8) Cl.** ..... **08-06**
- (52) **U.S. Cl.** ..... **D8/312; D8/307**
- (58) **Field of Classification Search** ..... D8/300, D8/307, 308, 309, 310, 311, 312, DIG. 2; D6/457; 16/441; 174/165; D23/250-252  
See application file for complete search history.

- D96,625 S 8/1935 Robinovitz
- D96,691 S 8/1935 Nelson
- D96,839 S 9/1935 Johnston
- 2,096,602 A 10/1937 Weingarten
- D114,200 S 4/1939 Sedlon et al.
- D117,697 S 11/1939 Mortimer
- D126,074 S 3/1941 Judell et al.
- D140,693 S 3/1945 Judell
- D143,737 S 2/1946 Klein
- D153,907 S 5/1949 Smolensky
- D157,018 S 1/1950 Young
- D162,273 S 2/1951 Young
- D168,078 S 7/1951 Young
- 2,654,390 A 10/1953 Archer et al.
- D178,997 S 10/1956 Graff
- D191,295 S 9/1961 Chapman
- D220,101 S 3/1971 Brown et al.
- D260,088 S 8/1981 Murphy
- D274,690 S \* 7/1984 Cesaroni ..... D8/310
- D280,009 S 8/1985 Miller et al.
- D280,543 S 9/1985 Paul
- D284,687 S 7/1986 Doman et al.
- D287,269 S 12/1986 Piesco
- D287,395 S 12/1986 Piesco
- 4,678,002 A 7/1987 Valley
- D291,475 S 8/1987 Gregory
- D298,564 S 11/1988 Paul
- D303,284 S 9/1989 Paul
- D342,119 S 12/1993 Shieh
- D349,037 S 7/1994 Carsello
- D397,983 S 9/1998 Pingel et al.
- D405,162 S 2/1999 Doughty et al.
- D429,521 S 8/2000 Doughty et al.
- D440,281 S 4/2001 Fleischmann
- 6,317,905 B1 11/2001 Slothower
- D455,195 S 4/2002 McKeone
- D461,530 S 8/2002 Moll
- D462,418 S 9/2002 Smith
- D465,557 S 11/2002 Antonello et al.
- D468,405 S 1/2003 McKeone
- D478,371 S 8/2003 Ouyoung

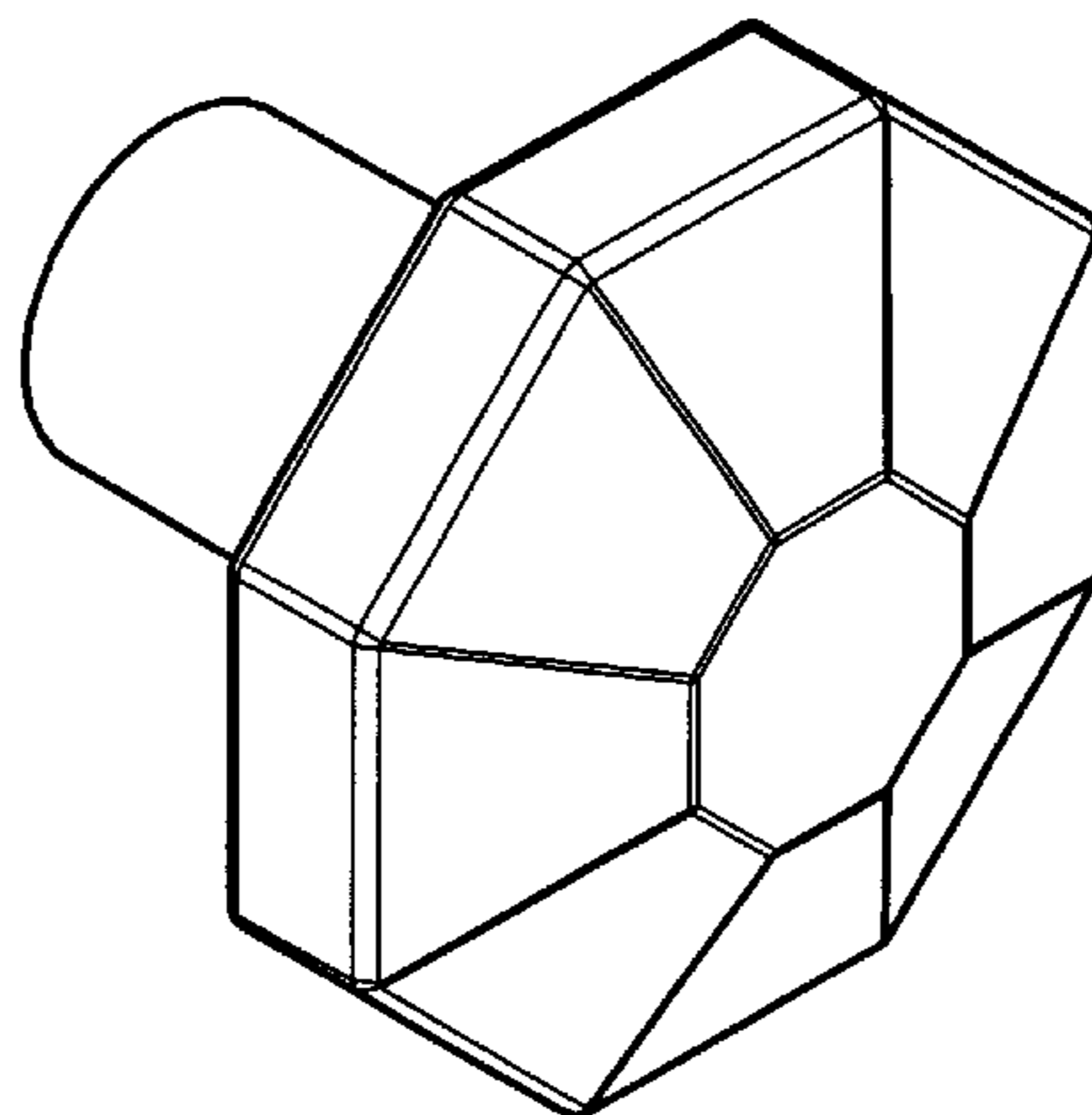
(56) **References Cited**

**U.S. PATENT DOCUMENTS**

- D29,734 S 11/1898 Glauber
- D30,893 S 5/1899 Levy
- D31,467 S 8/1899 Levy
- D33,860 S 1/1901 Glauber
- D47,069 S \* 3/1915 Burns ..... D8/307
- D69,726 S 3/1926 Steinberger
- D72,772 S 5/1927 Kipper
- 1,639,159 A \* 8/1927 Anderson ..... 16/441
- D76,713 S 10/1928 Smith
- D76,714 S 10/1928 Smith
- D76,925 S 11/1928 Frankenberger
- D77,334 S 12/1928 Thompson
- D77,377 S 1/1929 Thompson
- D78,619 S 5/1929 Frankenberger
- D78,721 S 6/1929 Young
- D79,565 S 10/1929 Nash
- D82,360 S 10/1930 Albert
- D84,462 S 6/1931 Clemmons
- D87,757 S 9/1932 Pope
- D87,830 S 9/1932 Ferguson
- D90,353 S 7/1933 Balton
- D90,679 S 9/1933 Polcer
- D92,845 S 7/1934 Grogan

\* cited by examiner

*Primary Examiner*—Paula A. Greene  
(74) *Attorney, Agent, or Firm*—Calfee, Halter & Griswold LLP



(57)

**CLAIM**

The ornamental design for a knob, as shown and described.

**DESCRIPTION**

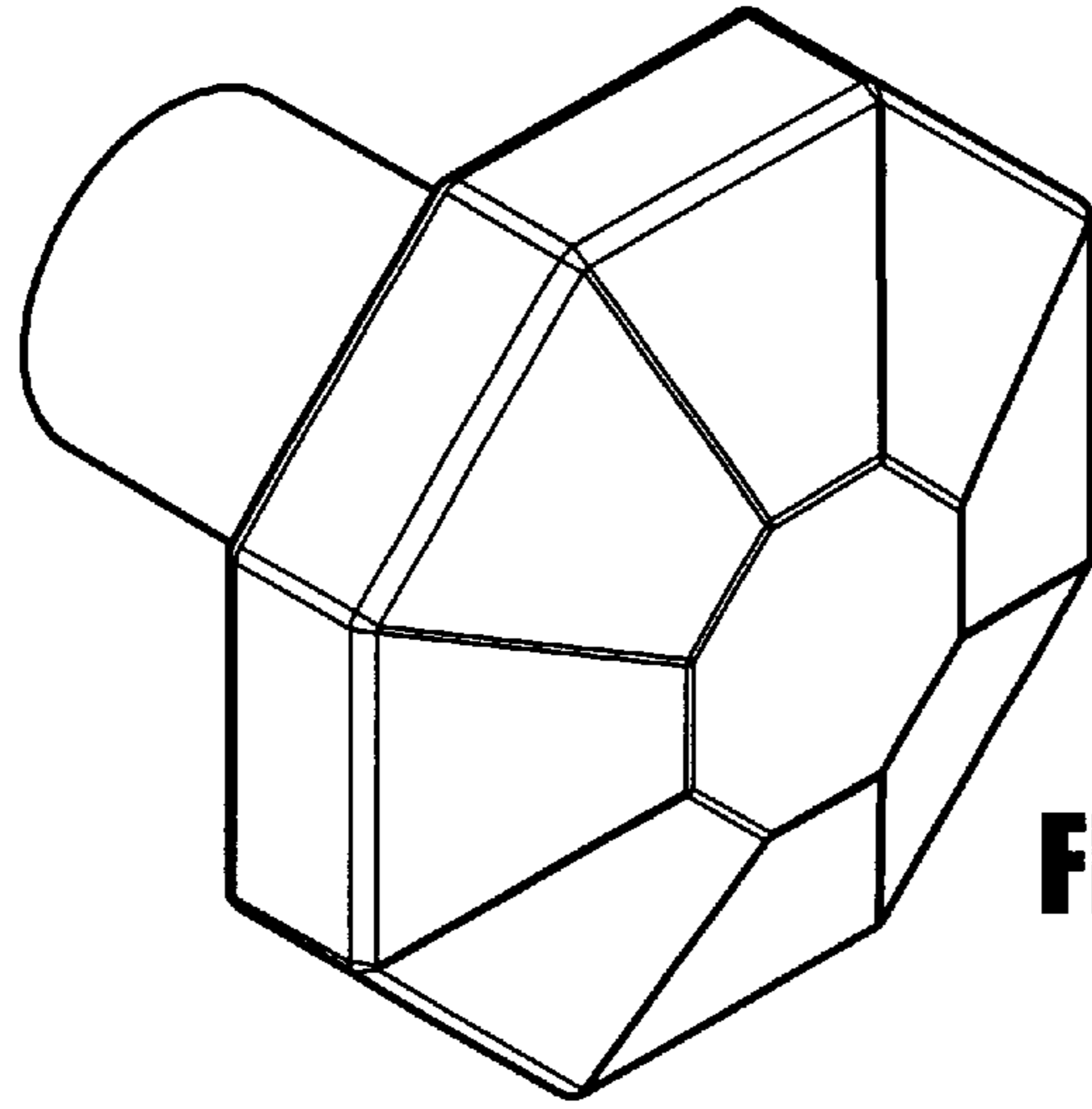
FIG. 1 is a perspective view of a knob of the new design;  
FIG. 2 is a front elevational view of the knob of FIG. 1;  
FIG. 3 is a rear elevational view of the knob of FIG. 1;  
FIG. 4 is a left side elevational view of the knob of FIG. 1;  
FIG. 5 is a right side elevational view of the knob of FIG. 1;

FIG. 6 is top plan view of the knob of FIG. 1; and,

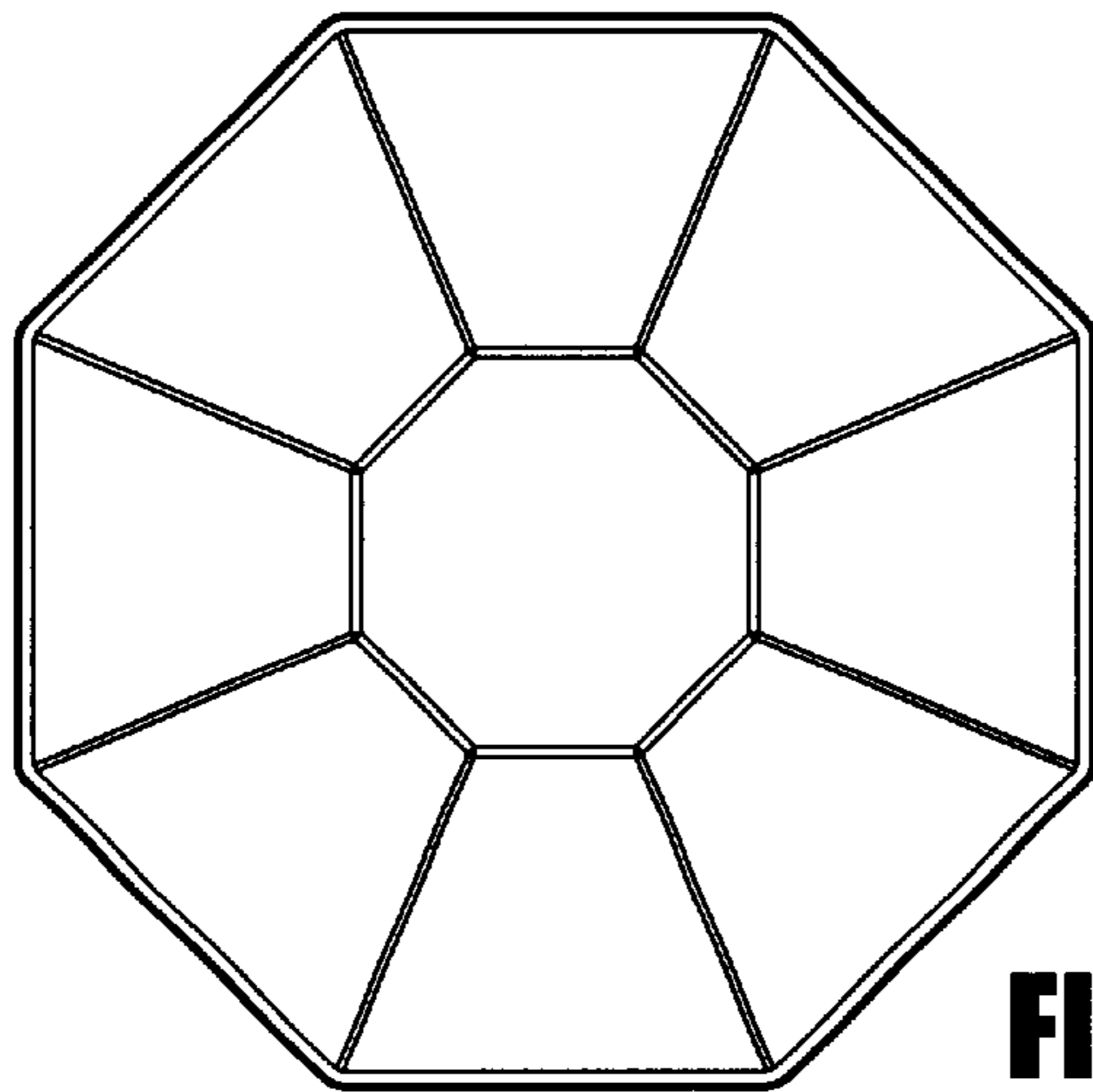
FIG. 7 is a bottom plan view of the knob of FIG. 1.

The portions of the Figures shown in broken lines are not part of the claimed design but are for illustration only.

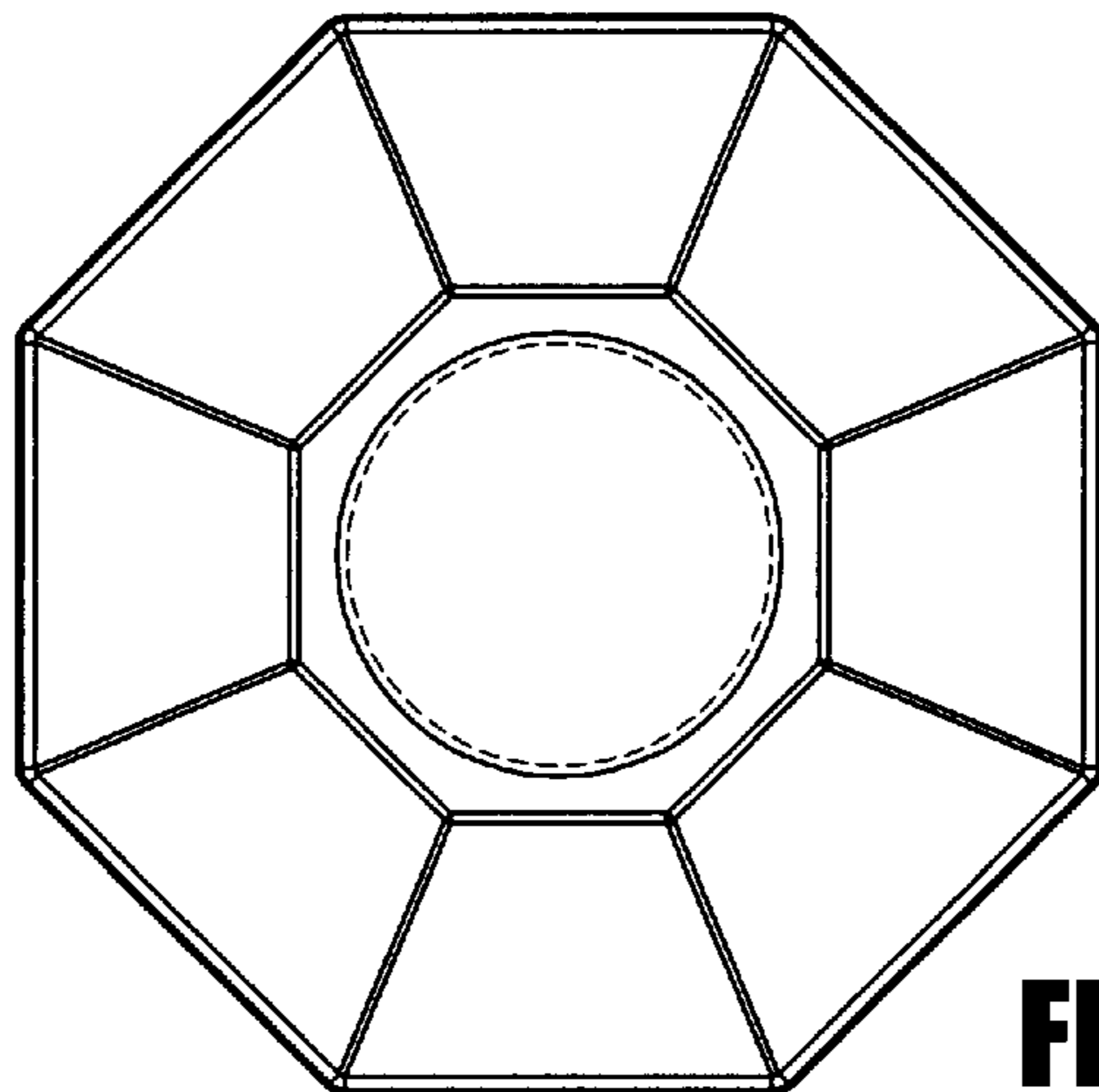
**1 Claim, 2 Drawing Sheets**



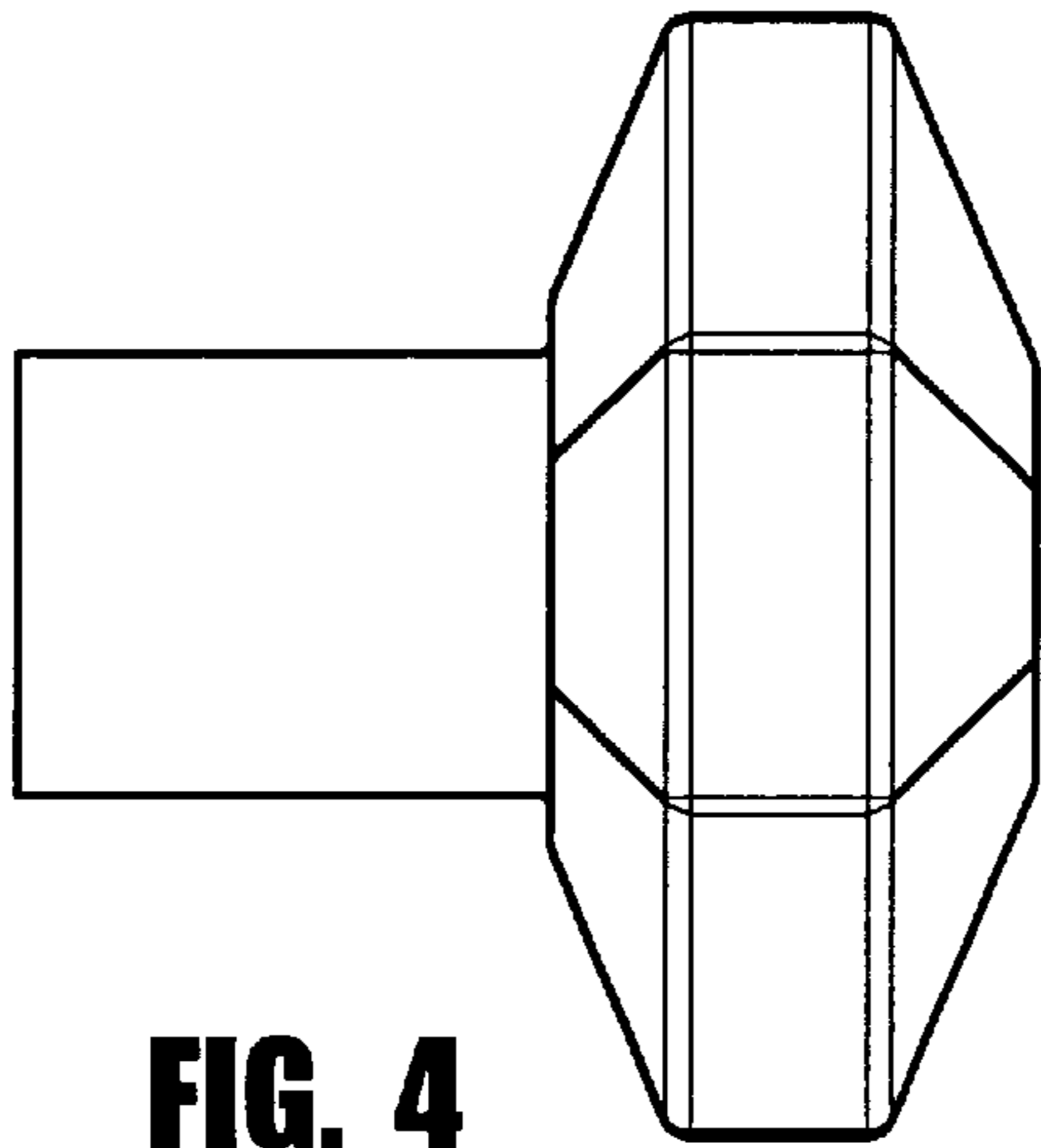
**FIG. 1**



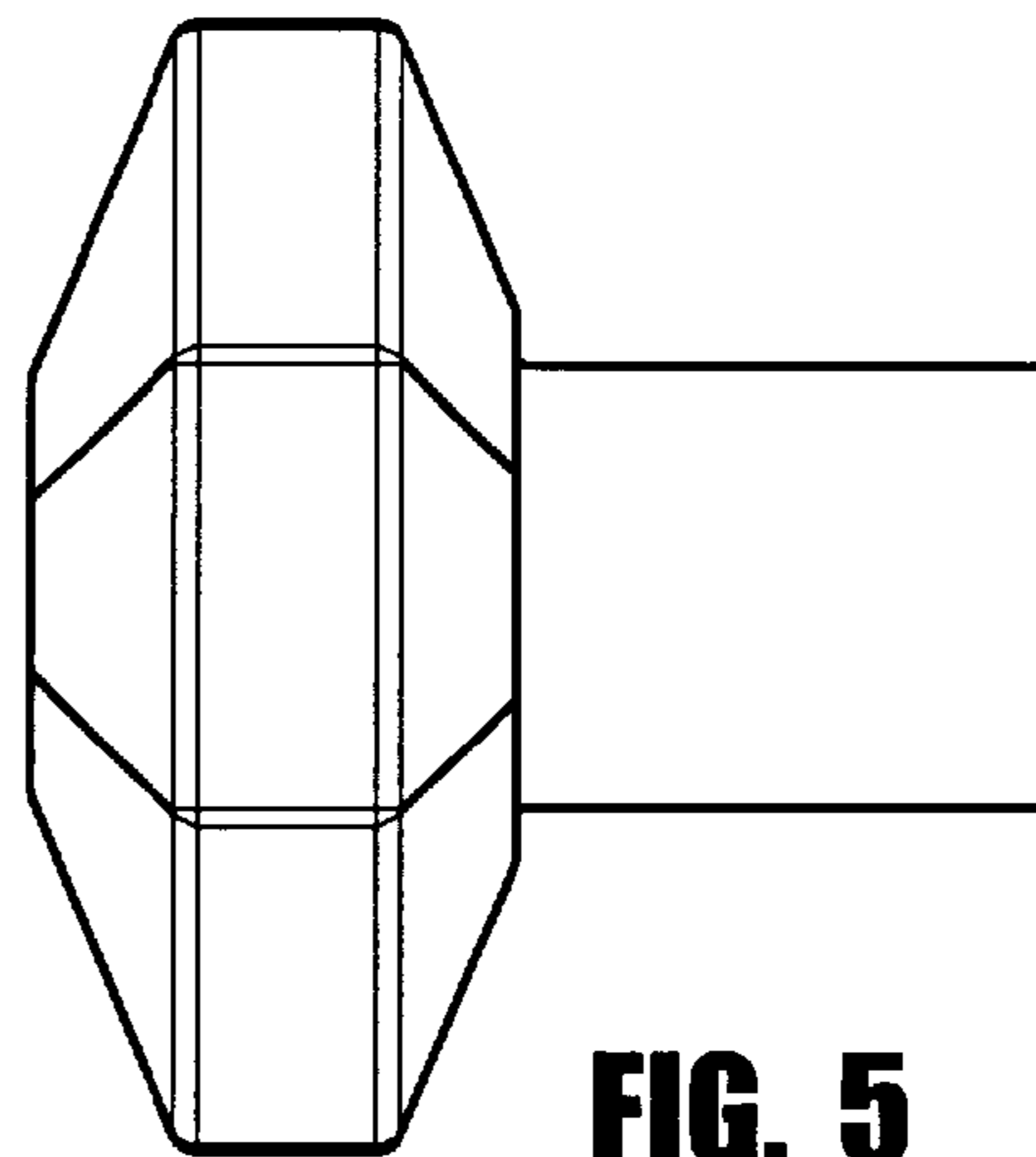
**FIG. 2**



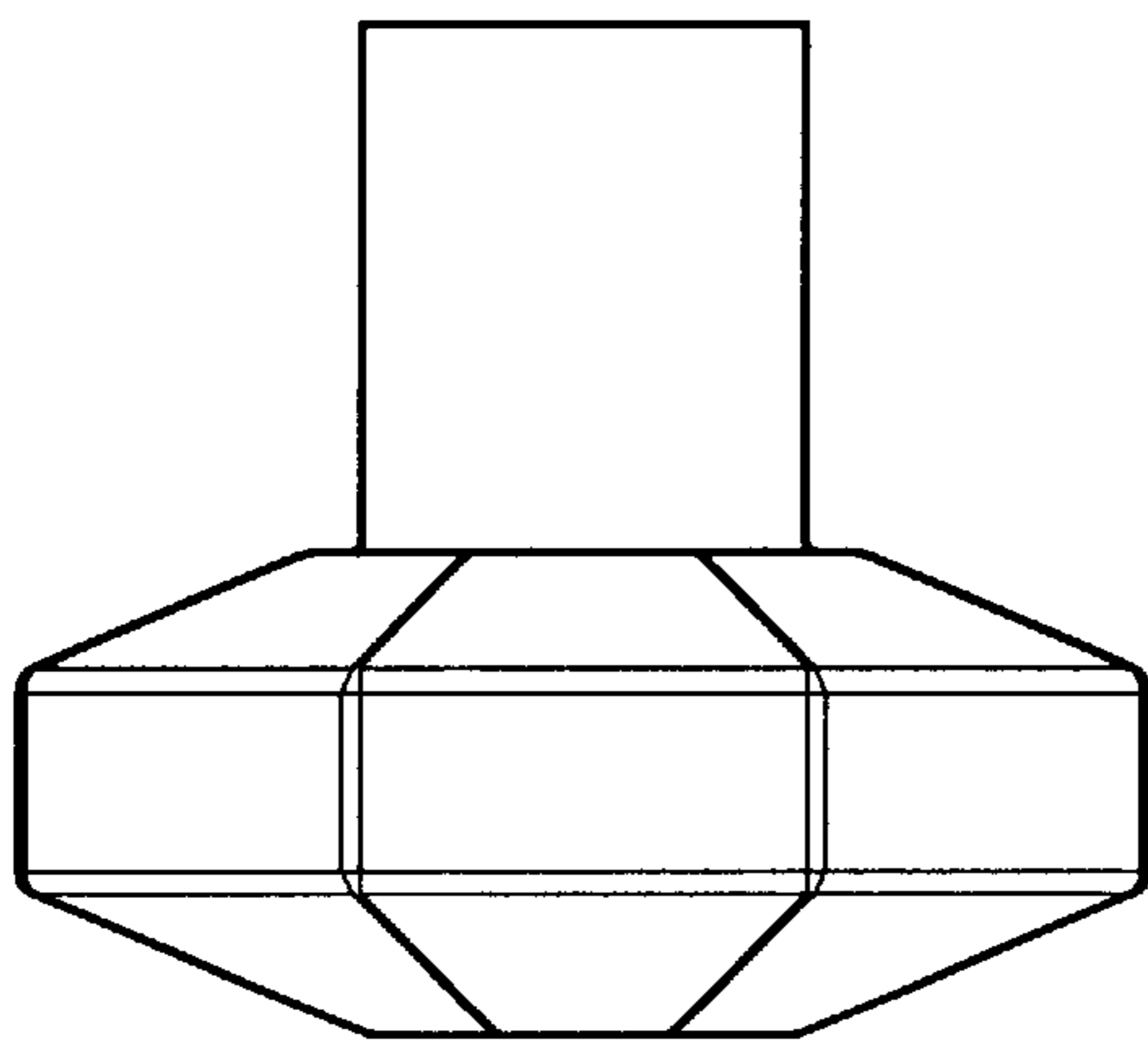
**FIG. 3**



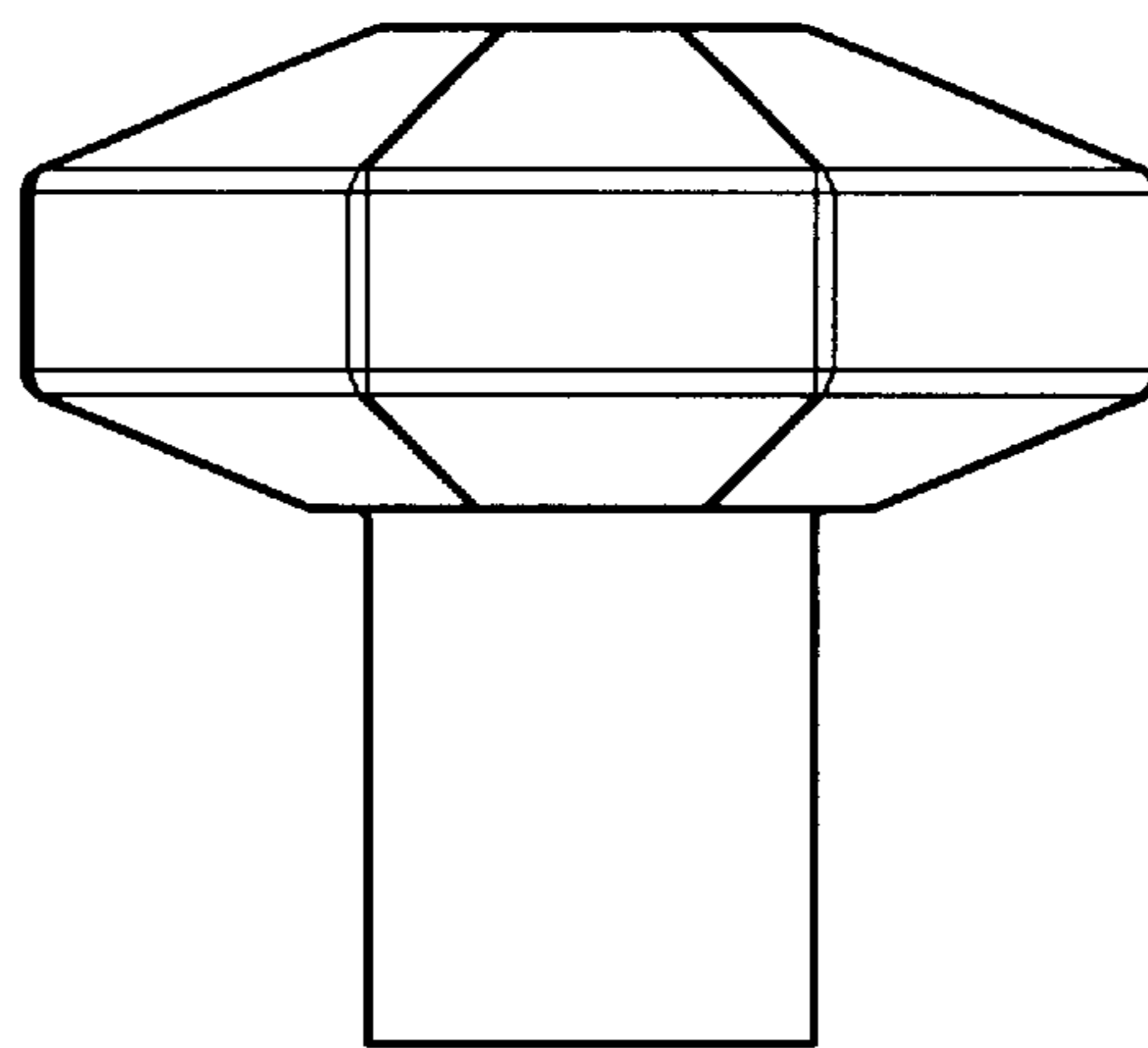
**FIG. 4**



**FIG. 5**



**FIG. 6**



**FIG. 7**