

US00D526882S

(12) **United States Design Patent** (10) **Patent No.:** **US D526,882 S**  
**Veltz** (45) **Date of Patent:** **\*\* Aug. 22, 2006**

(54) **DOORKNOB**  
(75) Inventor: **Jason D. Veltz**, Laguna Hills, CA (US)  
(73) Assignee: **Newfrey LLC**, Newark, DE (US)  
(\*\*) Term: **14 Years**

(21) Appl. No.: **29/211,993**  
(22) Filed: **Aug. 25, 2004**

(51) **LOC (8) Cl.** ..... **08-06**  
(52) **U.S. Cl.** ..... **D8/307**  
(58) **Field of Classification Search** ..... D8/301,  
D8/302, DIG. 2, 307, 310, 338, 350, 352,  
D8/379; D23/250, 251, 254; 292/347, 357;  
16/402, 412, 414, 417, 433, 441, 442, DIG. 30,  
16/691

See application file for complete search history.

(56) **References Cited**

**U.S. PATENT DOCUMENTS**

211,853 A	2/1879	Kinzer	
234,058 A	11/1880	Peacock	
653,693 A	7/1900	Parker	
897,802 A	9/1908	Voight et al.	
924,801 A	6/1909	Lockwood	
1,005,099 A	10/1911	Bishop	
D43,534 S	* 2/1913	Hawley	D8/310
1,112,485 A	10/1914	Snyder	
1,501,988 A	7/1924	Fredrickson	
1,724,630 A	8/1929	Wilson	
1,803,375 A	5/1931	Adams	
1,858,604 A	5/1932	Teich	
1,942,525 A	1/1934	Weller	
D105,146 S	* 6/1937	Sinko	D8/310
2,175,791 A	10/1939	Brauning	
D118,119 S	12/1939	Jones	
2,655,398 A	10/1953	Birbaum	
2,676,049 A	4/1954	Wurzel	
D173,850 S	* 1/1955	Ohno	D8/310
D176,714 S	1/1956	Fitzgerald	
D179,220 S	* 11/1956	Russell	D8/310
D179,458 S	* 12/1956	Ohno	D8/310
D179,679 S	* 2/1957	Ellis	D8/310

D182,623 S	* 4/1958	Russell	D8/321
D186,083 S	* 9/1959	Mair	D8/310
D192,496 S	4/1962	Sunberg et al.	
D199,922 S	* 12/1964	Schlage	D8/310
D203,031 S	11/1965	Carsello	
D208,690 S	9/1967	Morgan	
3,452,584 A	7/1969	Hallgren	
D218,619 S	9/1970	Young	
D218,770 S	9/1970	Kelly	
D219,702 S	1/1971	Korol	
3,677,593 A	7/1972	Wahlberg	
D225,393 S	* 12/1972	Giandomenico	D8/310
D239,798 S	5/1976	Vrignaud	
D257,476 S	11/1980	Sirois	
D261,856 S	11/1981	Meisner	
D262,601 S	1/1982	Peppard	

(Continued)

**OTHER PUBLICATIONS**

Kitchen & Bath Source Book, 1996/97., McGraw-Hill Publishers, New York, NY, p. 20.\*

*Primary Examiner*—Prabhakar Deshmukh  
*Assistant Examiner*—Jean E. McCormick  
(74) *Attorney, Agent, or Firm*—Richard J. Veltman; John D. DelPonti

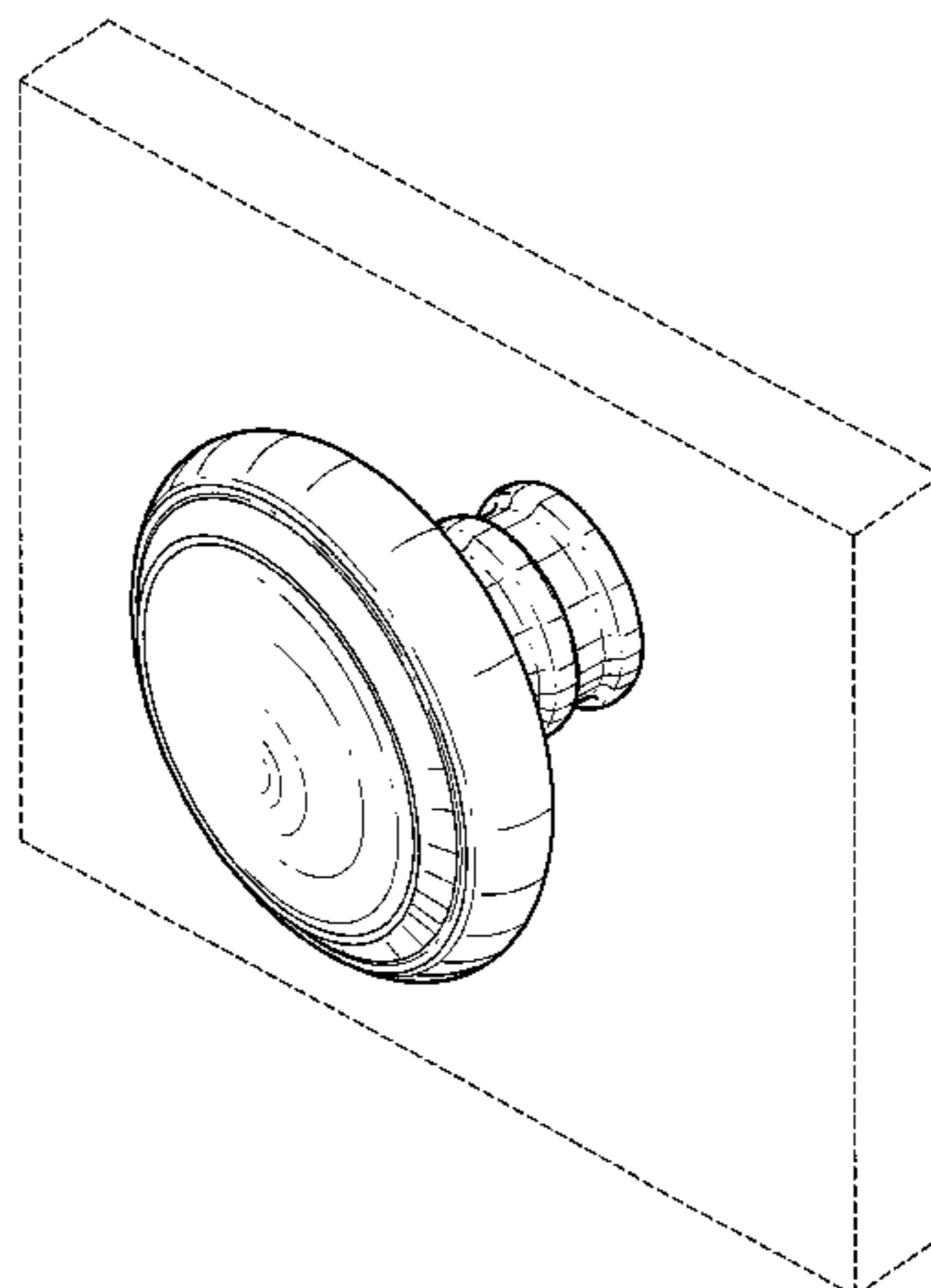
(57) **CLAIM**

The ornamental design for a doorknob, as shown and described.

**DESCRIPTION**

FIG. 1 is a perspective view of the new design for a doorknob;  
FIG. 2 is a front elevational view of the new design for a doorknob;  
FIG. 3 is a top plan view of the new design for a doorknob, the bottom plan view and the left and right side elevational views being mirror images; and,  
FIG. 4 is a back elevational view of the new design for a doorknob.  
The broken lines in the Figures are for illustrative purposes only and form no part of the claimed design.

**1 Claim, 4 Drawing Sheets**



# US D526,882 S

Page 2

## U.S. PATENT DOCUMENTS

D269,942 S	8/1983	Coppola	D351,981 S	11/1994	Susani et al.
D280,073 S	8/1985	Wildgen	D381,253 S	7/1997	Guidotti
D290,336 S	6/1987	Paul	D387,650 S	12/1997	Lutzker
D292,063 S	9/1987	Hill	D390,774 S	2/1998	Lutzker
D297,507 S	9/1988	Yandek et al.	D393,994 S	5/1998	Hankel et al.
D298,733 S	11/1988	Pool	D400,776 S	11/1998	Prevot et al.
D300,115 S	3/1989	Halsted et al.	5,835,980 A	11/1998	Houssian
D300,299 S	3/1989	Bellini	5,837,932 A	11/1998	Carswell et al.
4,873,853 A	10/1989	Foshee	5,881,433 A	3/1999	Mutone et al.
D311,855 S	11/1990	Jans	D423,326 S	4/2000	Moon et al.
D313,542 S	1/1991	Fayerman	D427,291 S	6/2000	Milrud et al.
D315,087 S	3/1991	Jans	D431,444 S	10/2000	Short
D315,488 S	3/1991	Tremonti	D431,445 S	10/2000	Short
D319,963 S	9/1991	Britz et al.	D444,694 S	7/2001	Alvarado
D334,881 S	4/1993	Sentschak, II et al.	D454,049 S *	3/2002	LaPlume et al. .... D8/301
5,219,192 A	6/1993	Berger	D455,199 S	4/2002	Lenart et al.
D338,608 S	8/1993	Martin et al.	D455,633 S	4/2002	Jospe
D339,280 S	9/1993	Bray et al.	D466,788 S	12/2002	Baskauskas et al.
D343,107 S	1/1994	Fulton	D469,329 S	1/2003	Martin
D346,105 S	4/1994	Shaanan	D487,388 S	3/2004	Gundlach et al.
D350,890 S	9/1994	Boeri	D492,887 S *	7/2004	Wu ..... D8/310
D351,099 S	10/1994	Flasz			

\* cited by examiner

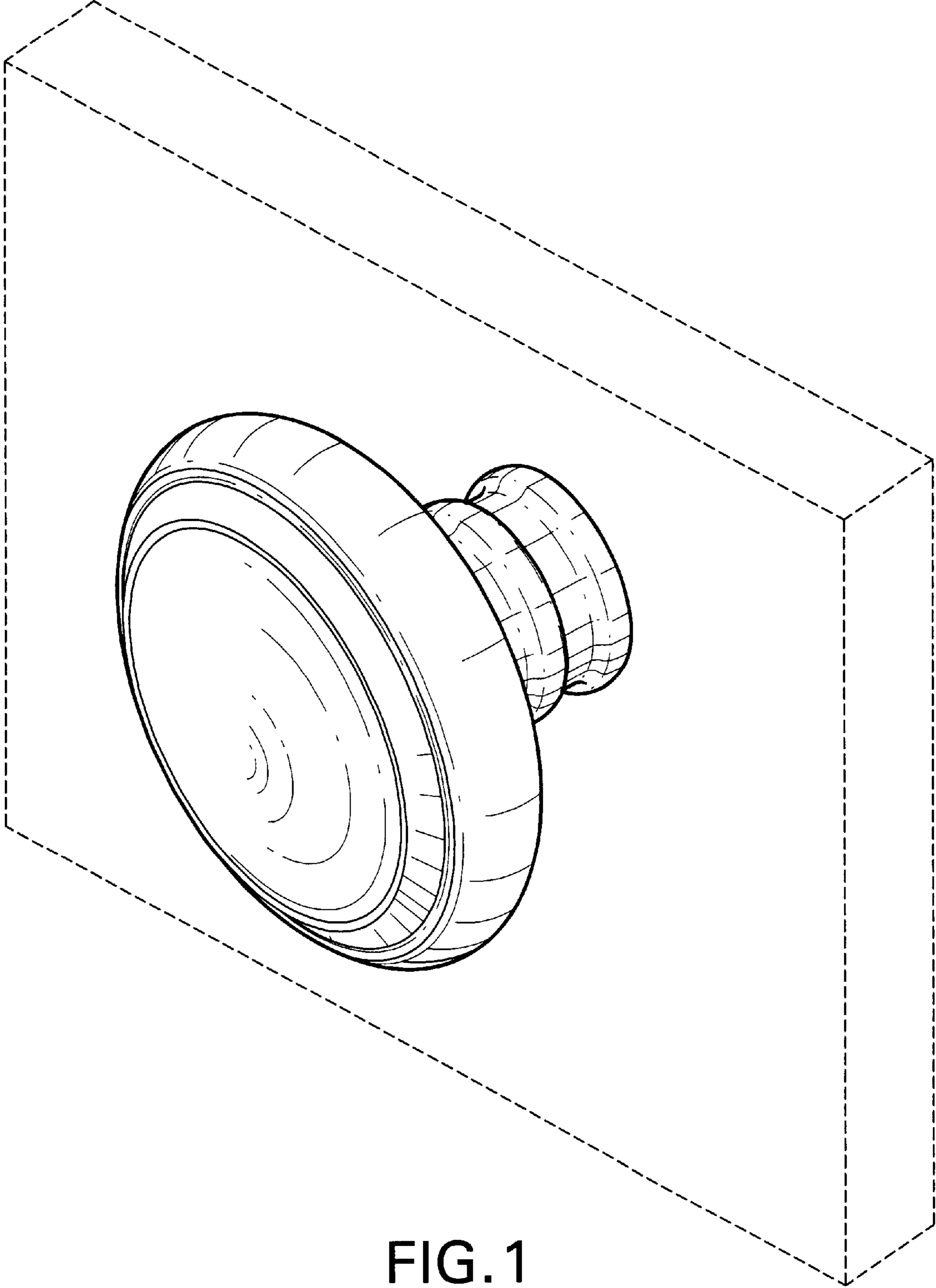


FIG. 1

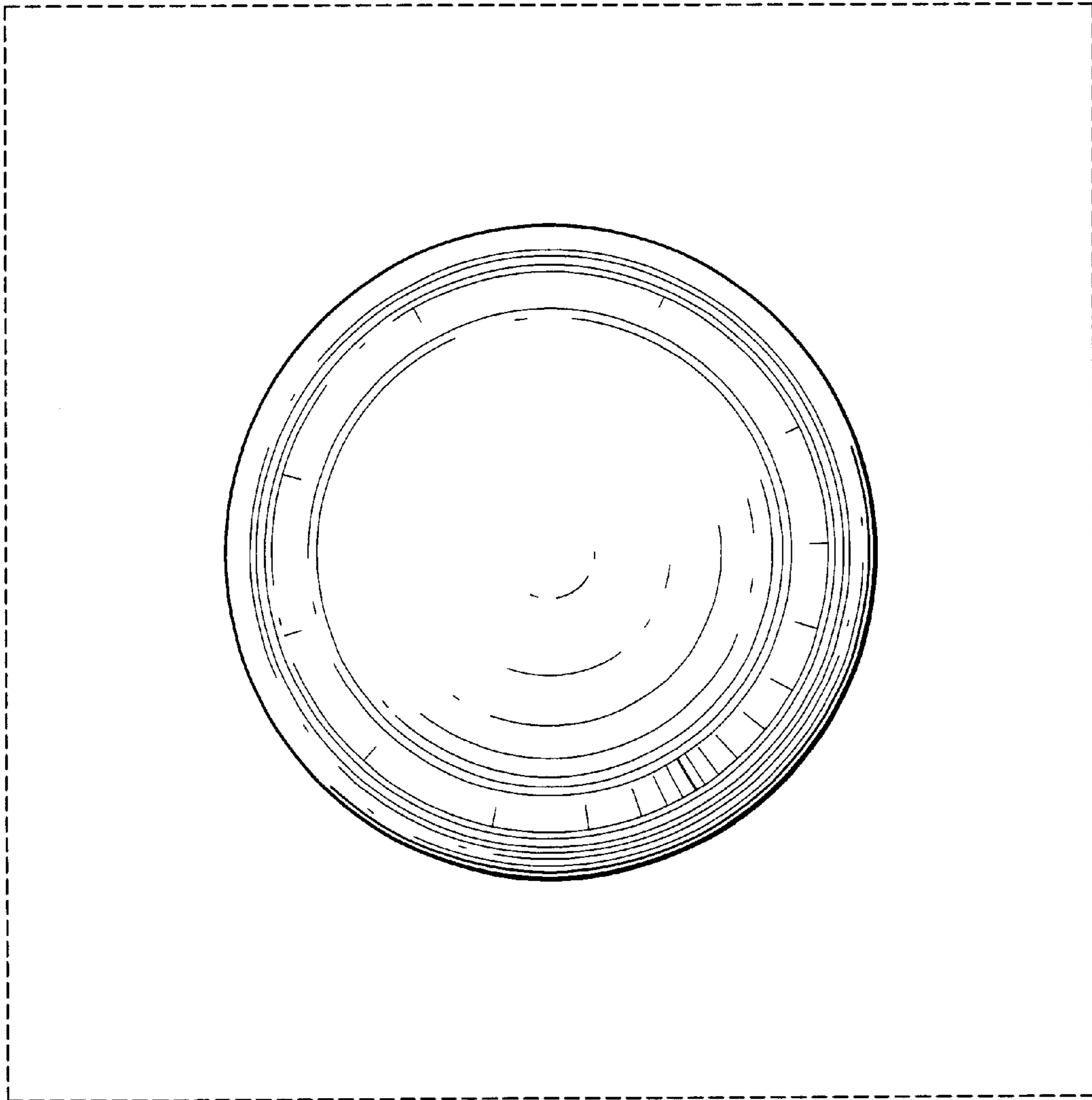


FIG. 2

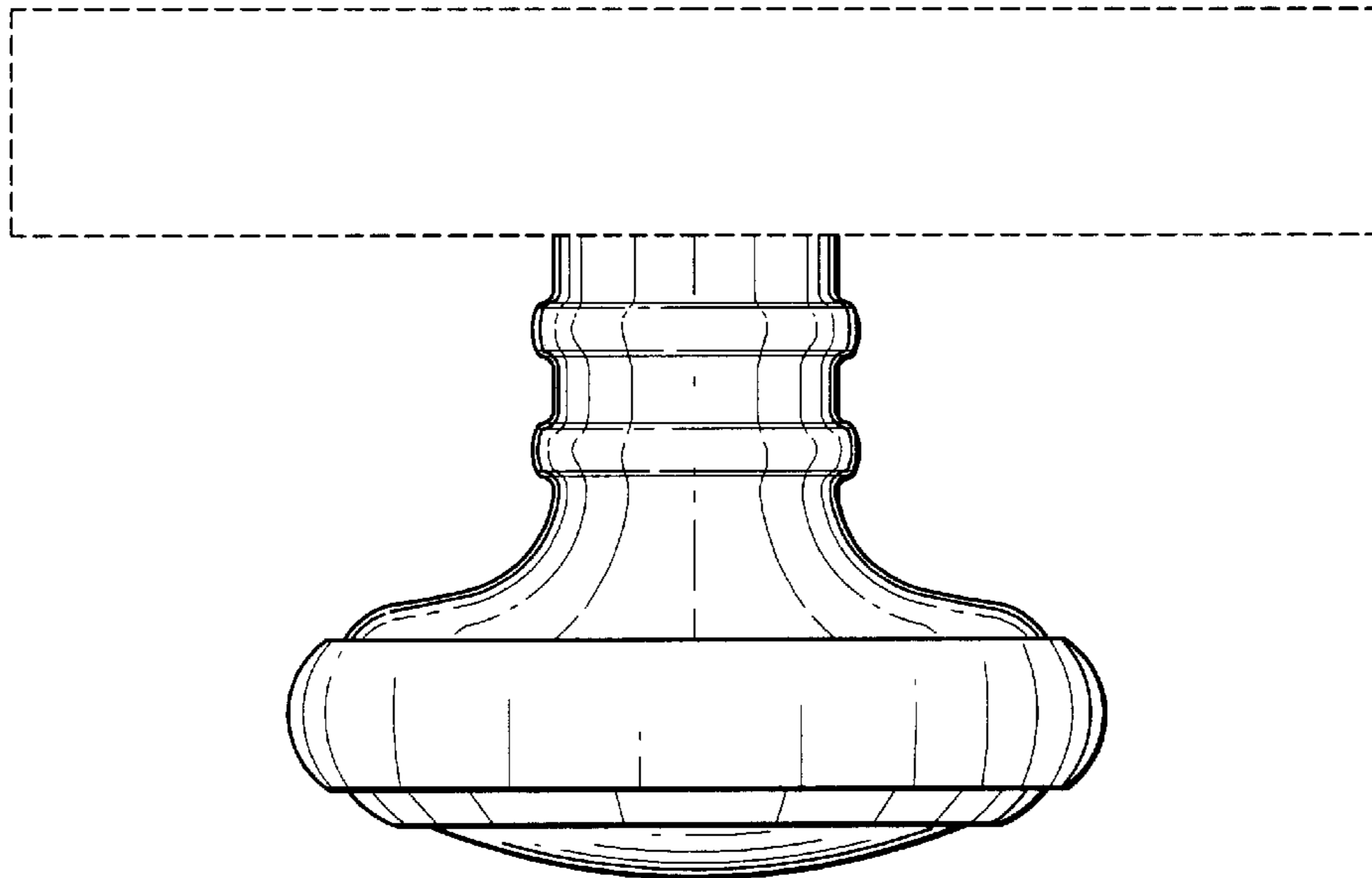


FIG. 3

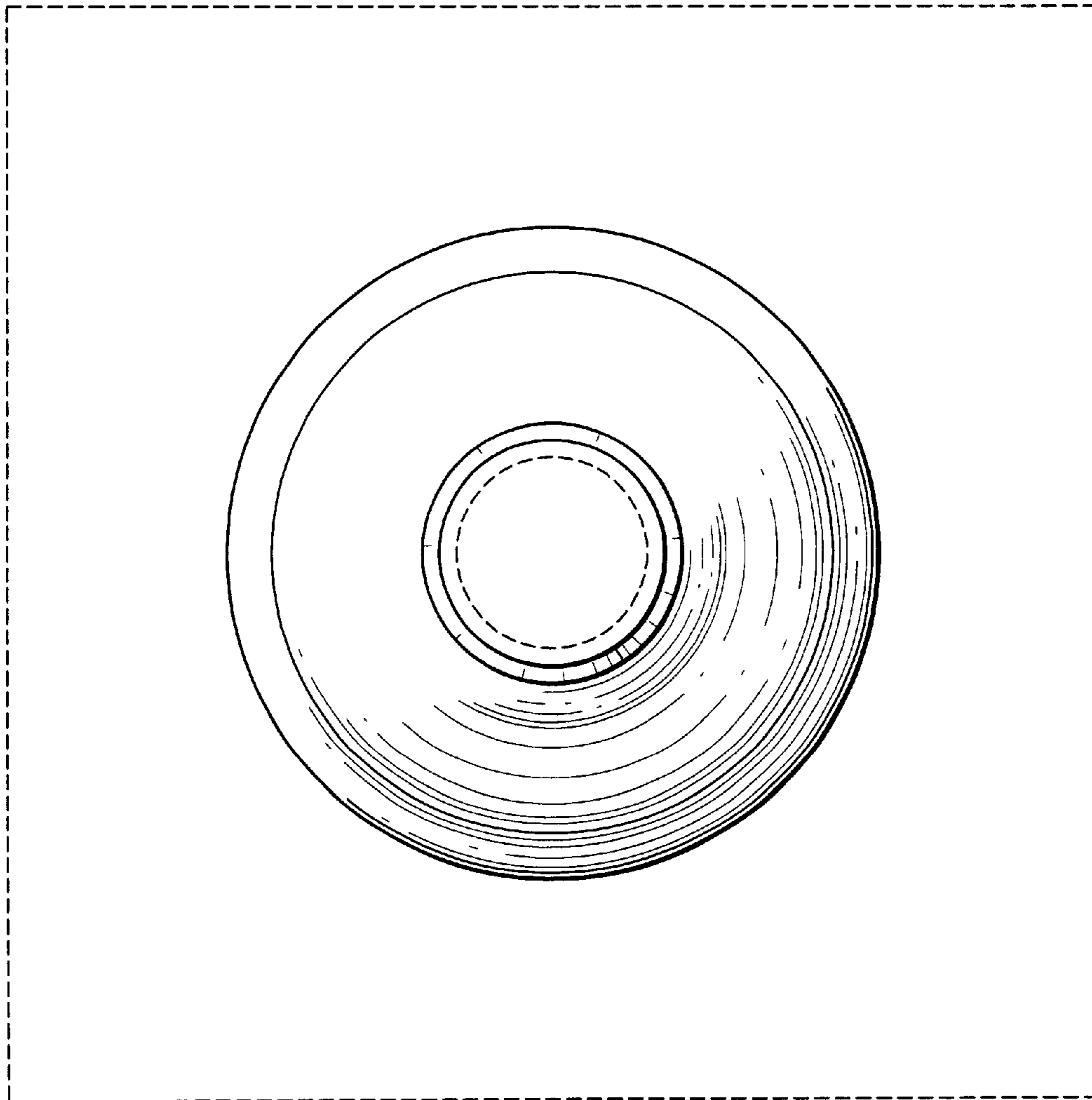


FIG.4