



US00D526878S

(12) **United States Design Patent**  
**Ping**

(10) **Patent No.:** **US D526,878 S**

(45) **Date of Patent:** **\*\* Aug. 22, 2006**

(54) **KNIFE**  
(75) Inventor: **Qiu Jian Ping**, Hangzhou (CN)  
(73) Assignee: **Great Neck Saw Manufacturers, Inc.**,  
Mineola, NY (US)  
(\*\*) Term: **14 Years**

4,261,104 A 4/1981 Cuscovitch  
4,347,665 A 9/1982 Glesser  
4,442,600 A 4/1984 Felix-Salichow  
4,570,341 A 2/1986 Konneker  
4,604,805 A 8/1986 Krieger  
4,665,615 A 5/1987 Martinez  
4,669,188 A 6/1987 Evrell  
4,719,700 A 1/1988 Taylor, Jr.  
4,805,303 A 2/1989 Gibbs  
4,811,486 A 3/1989 Cunningham  
4,920,644 A 5/1990 LaGattuta

(21) Appl. No.: **29/218,161**  
(22) Filed: **Nov. 29, 2004**

(Continued)

(51) **LOC (8) Cl.** ..... **08-03**  
(52) **U.S. Cl.** ..... **D8/99**  
(58) **Field of Classification Search** ..... D8/90,  
D8/98, 107, 105; 30/154, 155, 156, 157,  
30/159, 158, 161, 162, 330  
See application file for complete search history.

FOREIGN PATENT DOCUMENTS

CN 200420008852.7 3/2004  
CN 200420008854.6 3/2004  
CN 200420020589.3 3/2004  
CN 200420020590.6 3/2004  
CN 200420020591.0 3/2004  
WO WO90086633 8/1990

(56) **References Cited**  
U.S. PATENT DOCUMENTS

97,154 A 11/1869 Barnard  
493,075 A 3/1893 Evertz  
515,045 A 2/1894 Bultzingslowen  
584,077 A 6/1897 Jackson  
596,096 A 12/1897 Watts  
988,068 A 3/1911 Beardsley  
1,362,142 A 12/1920 Rohrer  
1,444,324 A 2/1923 Brooks  
1,706,251 A 3/1929 Perry  
1,750,517 A 3/1930 DeBracht  
1,750,577 A 3/1930 DeBracht  
2,134,973 A 11/1938 Harwell  
2,265,775 A 12/1941 McNamara  
2,284,128 A 5/1942 Bush  
2,523,575 A 9/1950 Kassel  
2,914,850 A 12/1959 Kuhn  
2,980,996 A 4/1961 Beran  
3,306,297 A 2/1967 Voorhees  
3,568,315 A 3/1971 Smith  
3,593,417 A 7/1971 West  
3,872,591 A 3/1975 Quenot  
4,017,969 A 4/1977 Stonebraker  
4,040,181 A 8/1977 Johnson

Primary Examiner—Philip S. Hyder  
(74) Attorney, Agent, or Firm—Joseph J. Previto

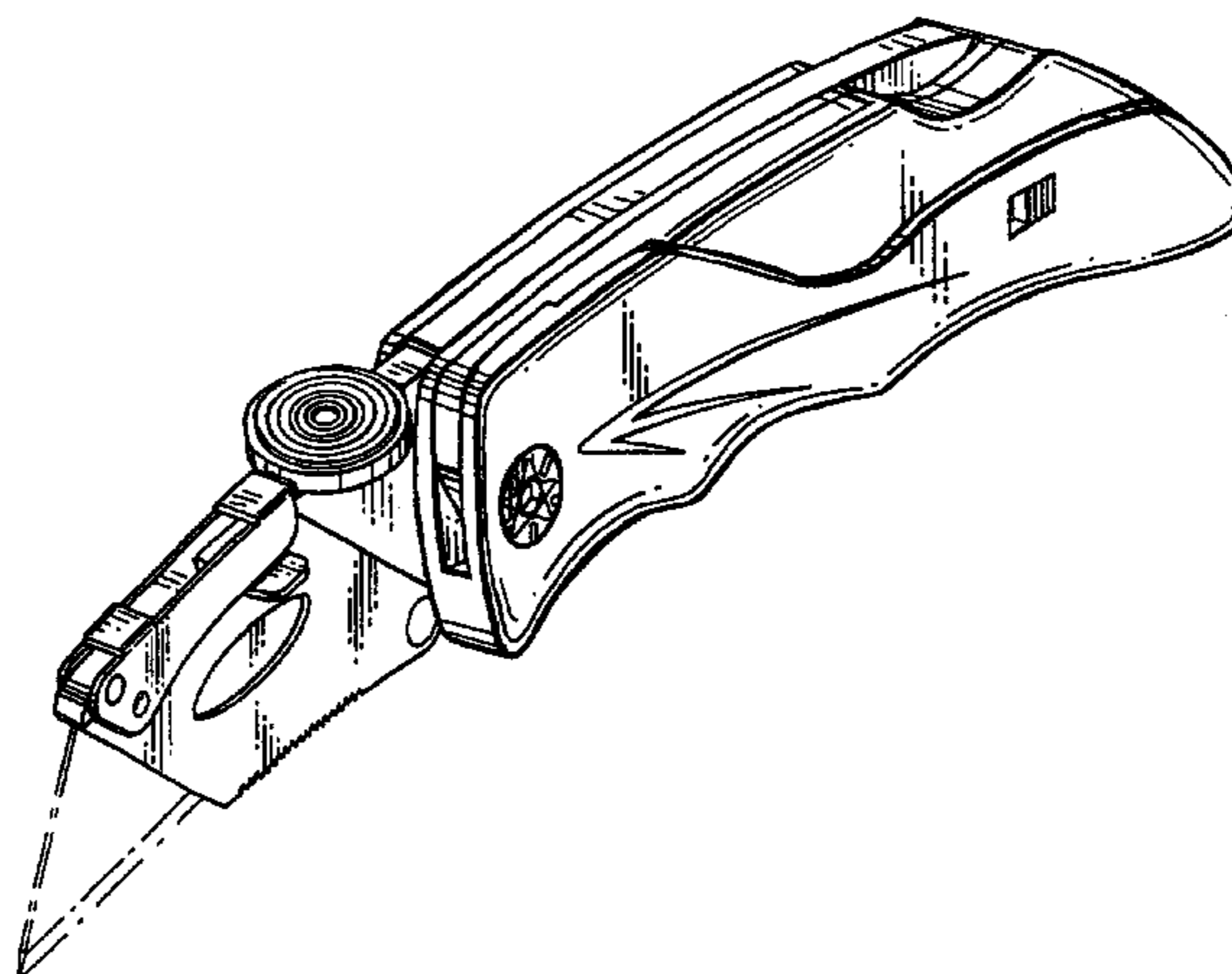
(57) **CLAIM**

The ornamental design for a knife, as shown and described.

**DESCRIPTION**

FIG. 1 is a perspective view of my new design.  
FIG. 2 is a top view thereof.  
FIG. 3 is a side view thereof.  
FIG. 4 is a front view thereof.  
FIG. 5 is a rear view thereof.  
FIG. 6 is another side view thereof.  
FIG. 7 is a bottom view of my new design.  
FIG. 8 is a side view showing the knife in a partially folded position; and,  
FIG. 9 is a side view showing the handle in a fully folded position.  
The broken line showings of the blade are for illustrative purposes only and form no part of the claimed design.

**1 Claim, 4 Drawing Sheets**



# US D526,878 S

Page 2

---

U.S. PATENT DOCUMENTS					
			6,256,888 B1	7/2001	Shuen
			6,263,581 B1	7/2001	Forte
4,936,014 A	6/1990	Shaanan et al.	6,354,007 B1	3/2002	Scarla
5,044,079 A	9/1991	Gibbs	6,370,778 B1	4/2002	Conable
5,095,624 A	3/1992	Ennis	6,446,341 B1	9/2002	Wang
5,125,157 A	6/1992	Howard	6,487,740 B1	12/2002	Seber
5,400,509 A	3/1995	Collins	6,574,868 B1	6/2003	Overholt
5,511,310 A	4/1996	Sessions	6,688,003 B1	2/2004	Scarla
5,769,094 A	6/1998	Jenkins, Jr.	D494,437 S *	8/2004	Scarla ..... D8/99
5,815,927 A	10/1998	Collins	D495,939 S	9/2004	Ping
5,826,340 A	10/1998	Hull	D501,782 S	2/2005	Ping
5,909,930 A	6/1999	Ragland	2002/0059730 A1	5/2002	Flavigny
5,966,816 A	10/1999	Roberson	2004/0020057 A1	2/2004	Hughes
5,979,059 A	11/1999	Leatherman	2004/0045171 A1	3/2004	Moizis
6,170,104 B1	1/2001	Seber	2004/0103541 A1	6/2004	Scarla
6,170,158 B1	1/2001	Daily			
6,256,887 B1	7/2001	Osborne			

\* cited by examiner

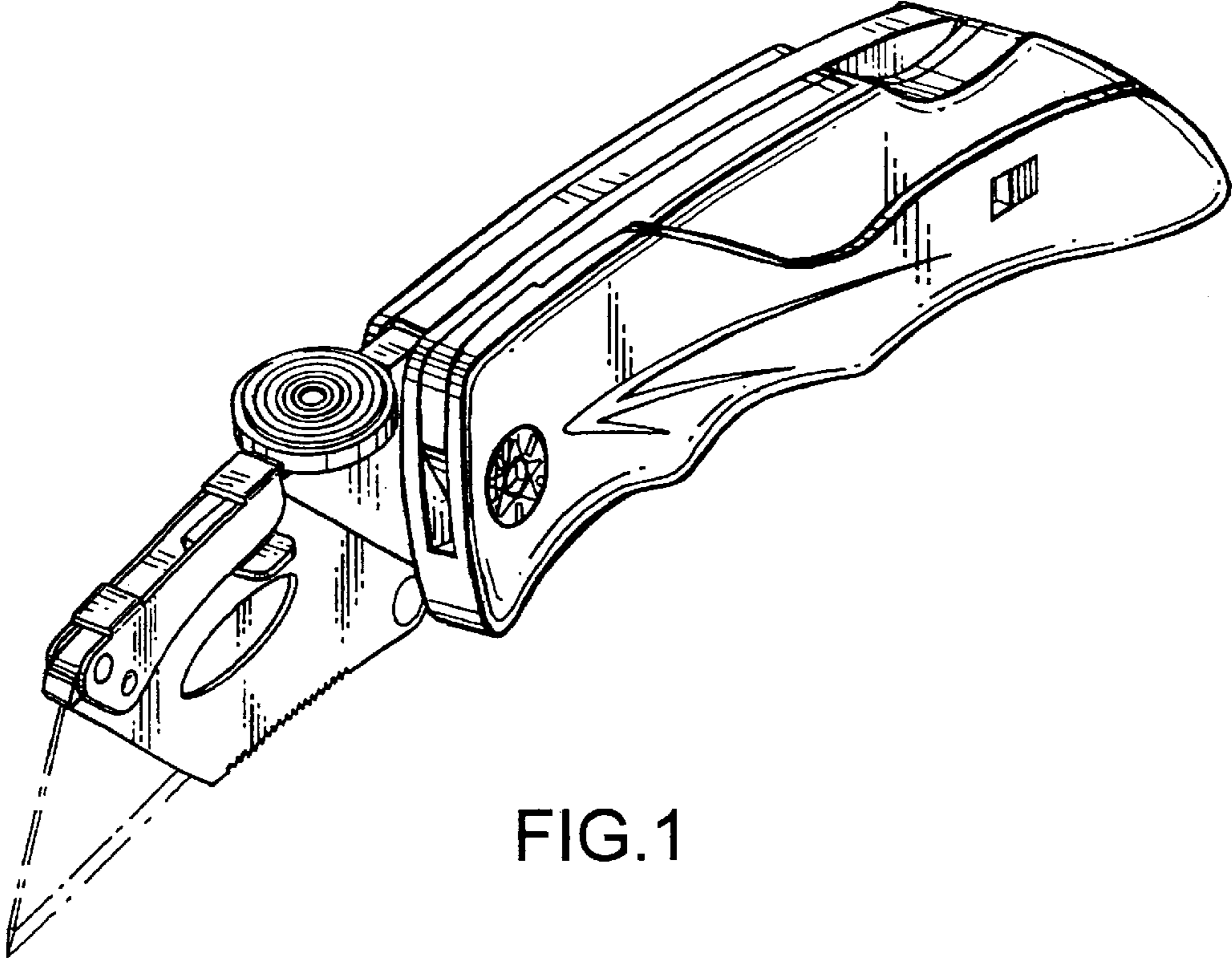


FIG.1

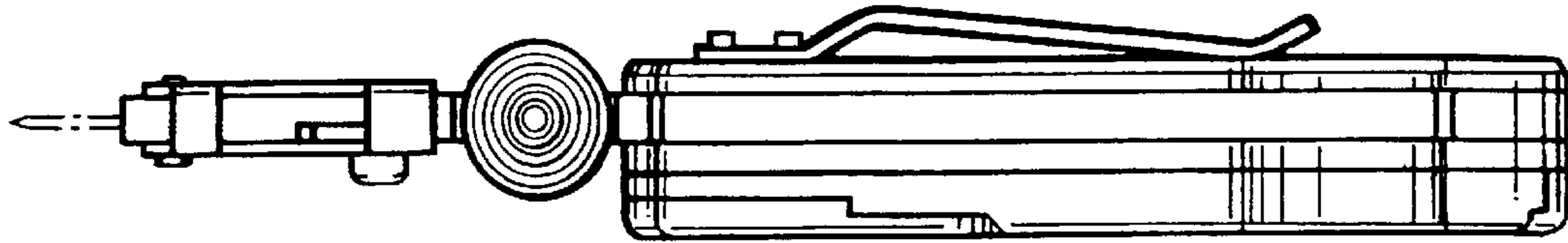


FIG. 2

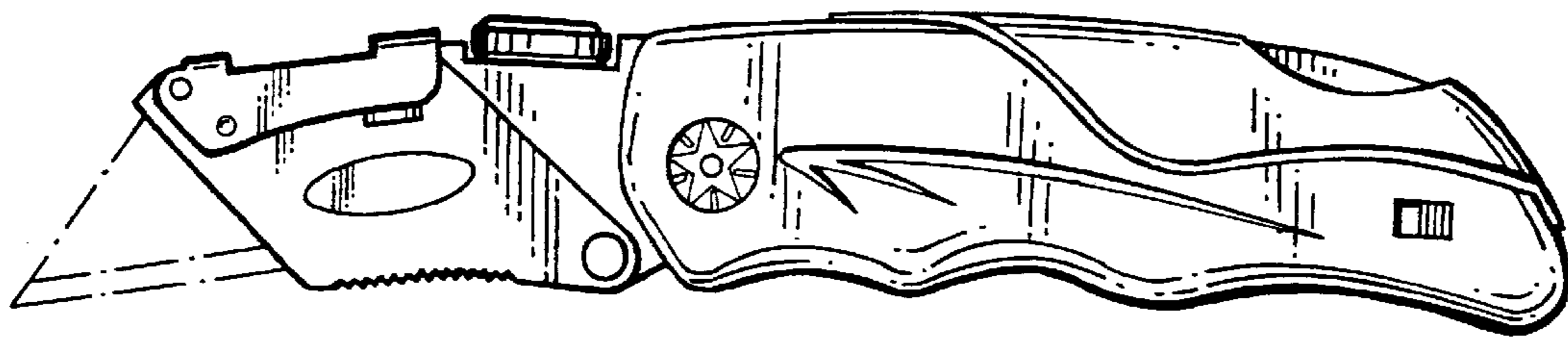


FIG. 3

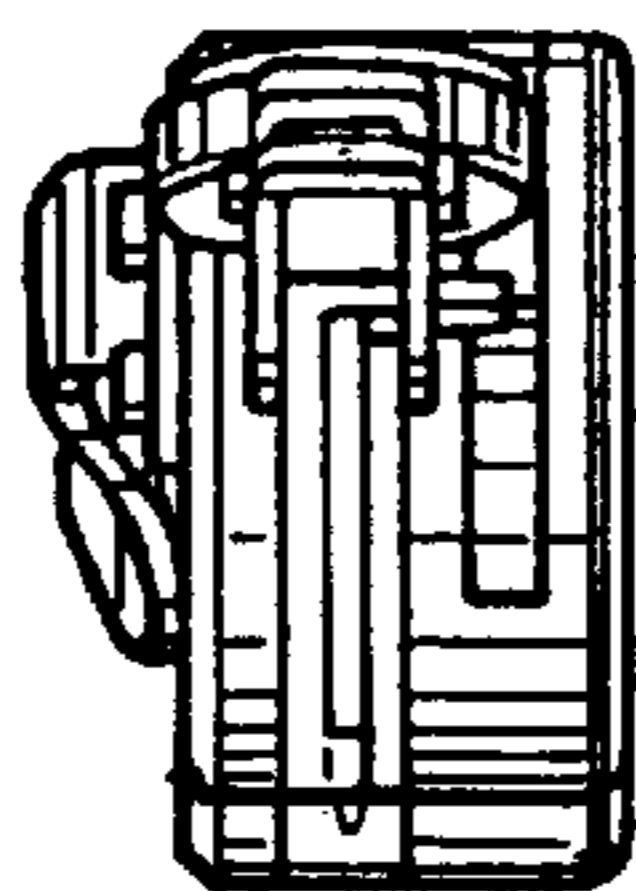


FIG. 4

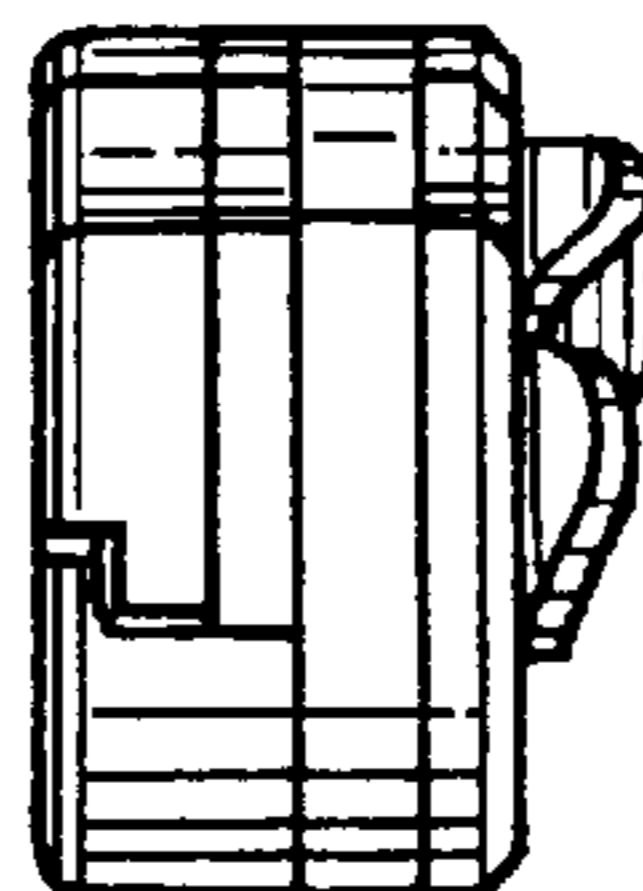


FIG. 5

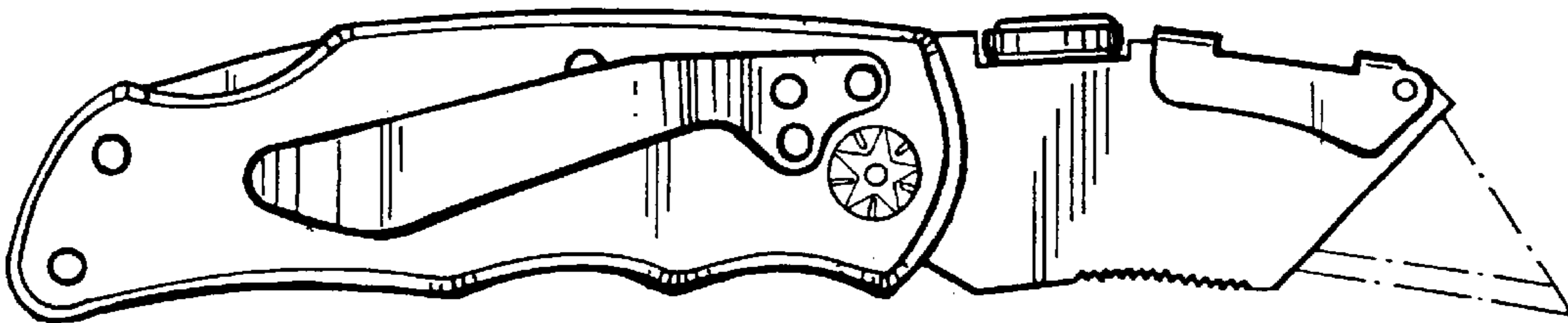


FIG. 6

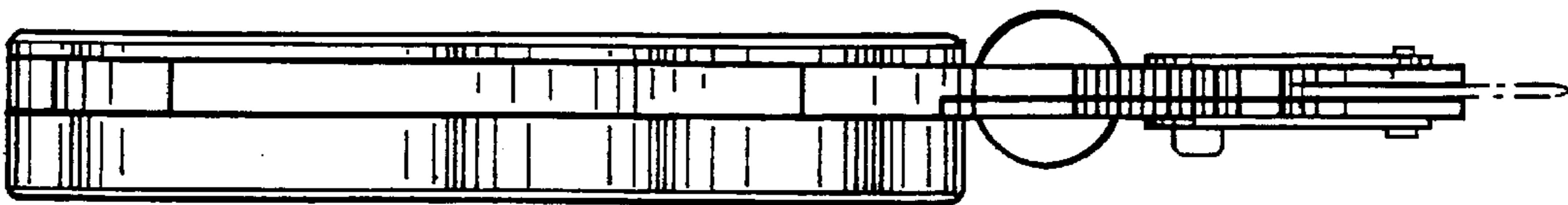


FIG. 7



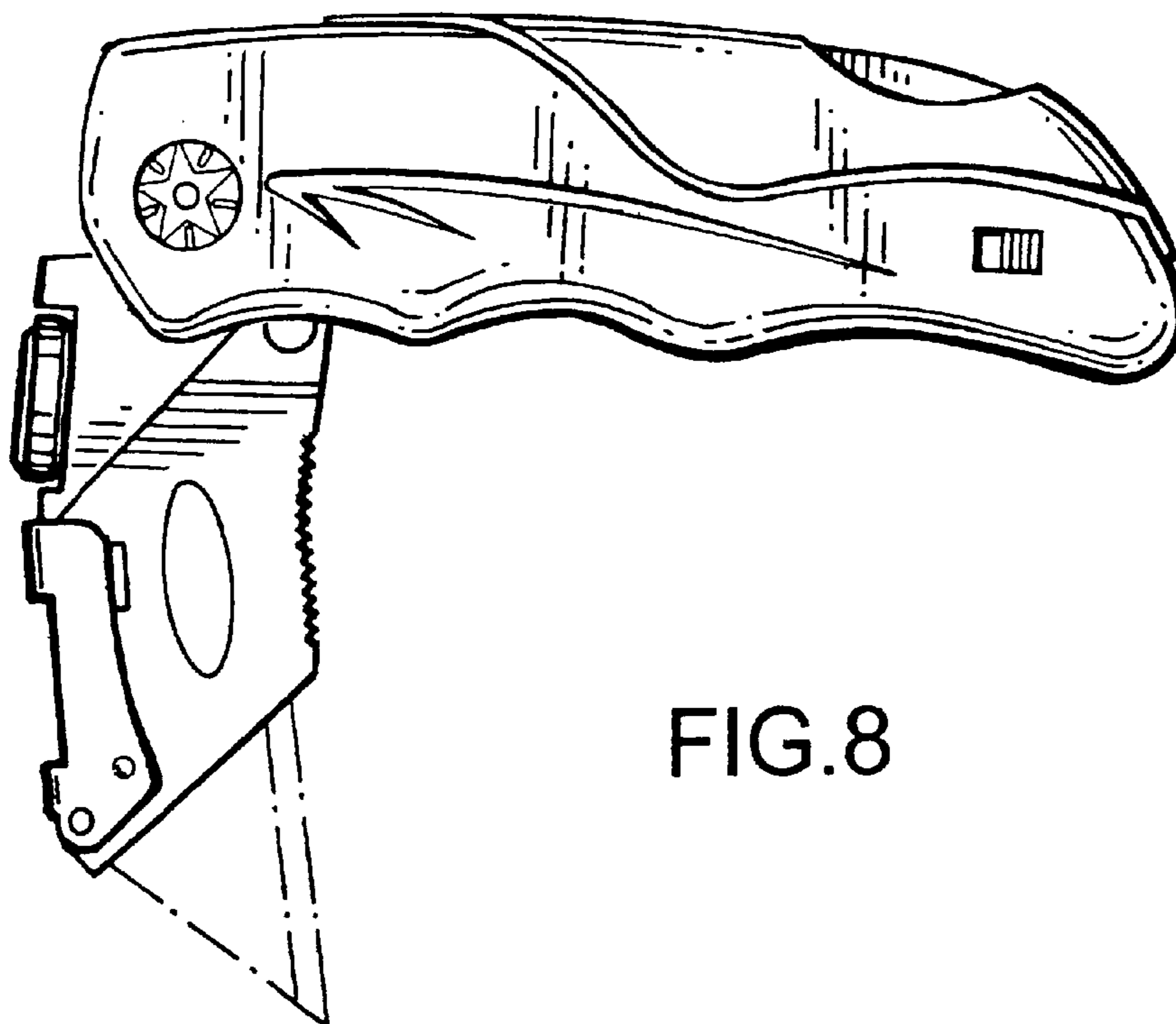


FIG. 8

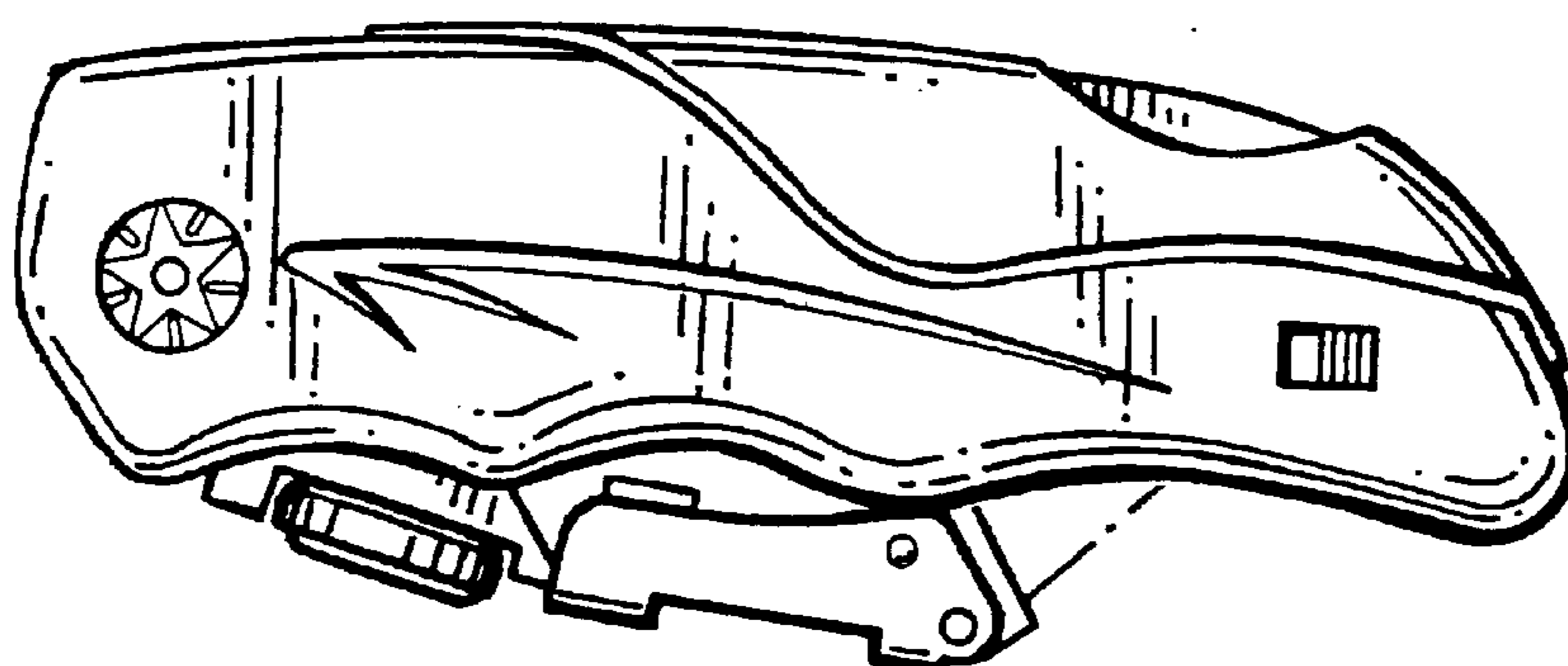


FIG. 9