



US00D526877S

(12) **United States Design Patent**  
**Ping**

(10) **Patent No.:** **US D526,877 S**

(45) **Date of Patent:** **\*\* Aug. 22, 2006**

- (54) **FOLDING UTILITY KNIFE**
- (75) Inventor: **Qiu Jian Ping**, Hangzhou (CN)
- (73) Assignee: **Great Neck Saw Manufacturers, Inc.**,  
Mineola, NY (US)
- (\*\*) Term: **14 Years**

- 4,040,181 A 8/1977 Johnson
- 4,261,104 A 4/1981 Cuscovitch
- 4,347,665 A 9/1982 Glesser
- 4,442,600 A 4/1984 Felix-Salichow
- 4,570,341 A 2/1986 Konneker
- 4,604,805 A 8/1986 Krieger
- 4,665,615 A 5/1987 Martinez
- 4,669,188 A 6/1987 Evrell

(Continued)

- (21) Appl. No.: **29/210,497**
- (22) Filed: **Aug. 2, 2004**

**FOREIGN PATENT DOCUMENTS**

(30) **Foreign Application Priority Data**

Mar. 19, 2004 (CN) ..... 2004200088546

CN	02-2-88379.7	12/2002
CN	200420008852.7	3/2004
CN	200420020589.3	3/2004
CN	200420020590.6	3/2004

- (51) **LOC (8) Cl.** ..... **08-03**
- (52) **U.S. Cl.** ..... **D8/99**
- (58) **Field of Classification Search** ..... D8/98,  
D8/99, 107; D22/117; 30/154, 155, 156,  
30/157, 158, 159, 160, 161, 162, 330  
See application file for complete search history.

*Primary Examiner*—Philip S. Hyder  
(74) *Attorney, Agent, or Firm*—Joseph J. Previto

(57) **CLAIM**

The ornamental design for a folding utility knife, as shown and described.

(56) **References Cited**

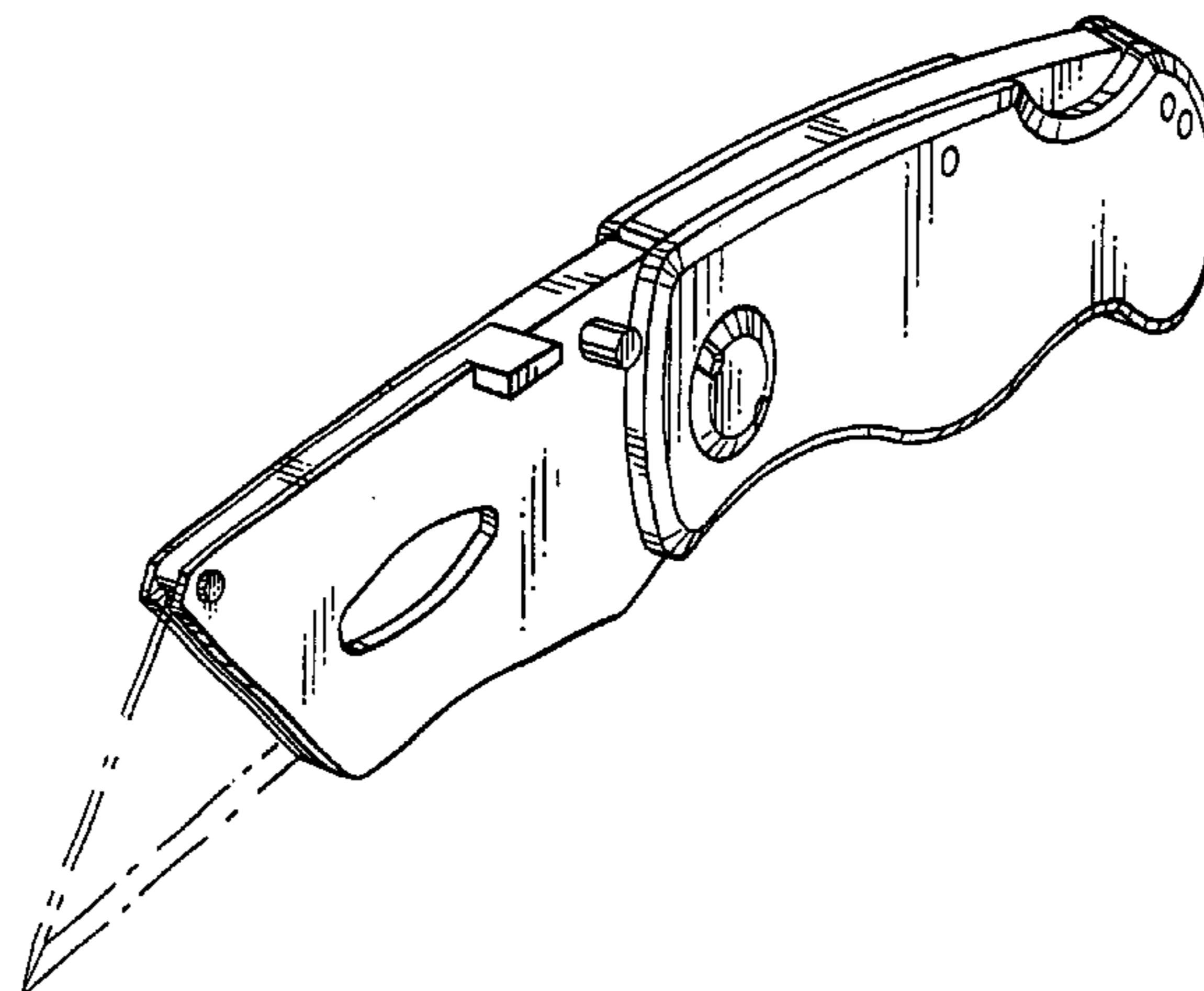
**U.S. PATENT DOCUMENTS**

97,154 A	11/1869	Barnard
493,075 A	3/1893	Evertz
515,045 A	2/1894	Bultzingslowen
584,077 A	6/1897	Jackson
596,096 A	12/1897	Watts
988,068 A	3/1911	Beardsley
1,362,142 A	12/1920	Rohrer
1,444,324 A	2/1923	Brooks
1,706,251 A	3/1929	Perry
1,750,577 A	3/1930	DeBracht
2,134,973 A	11/1938	Harwell
2,265,775 A	12/1941	McNamara
2,284,128 A	5/1942	Bush
2,523,575 A	9/1950	Kassel
2,914,850 A	12/1959	Kuhnl
2,980,996 A	4/1961	Beran
3,306,297 A	2/1967	Voorhees
3,568,315 A	3/1971	Smith
3,593,417 A	7/1971	West
3,872,591 A	3/1975	Quenot
4,017,969 A	4/1977	Stonebraker

**DESCRIPTION**

FIG. 1 is a perspective view of my new design.  
 FIG. 2 is a top view thereof.  
 FIG. 3 is a side view thereof.  
 FIG. 4 is a front view thereof.  
 FIG. 5 is a rear view thereof.  
 FIG. 6 is a bottom view thereof.  
 FIG. 7 is another side view thereof.  
 FIG. 8 is a side view thereof showing it in a partially folded position; and,  
 FIG. 9 is a side view thereof showing it in a folded position.  
 The broken line showing the blade is for illustrative purposes only and forms no part of the claimed design.

**1 Claim, 4 Drawing Sheets**



# US D526,877 S

Page 2

## U.S. PATENT DOCUMENTS

4,719,700	A	1/1988	Taylor, Jr.				
4,805,303	A	2/1989	Gibbs				
4,811,486	A	3/1989	Cunningham				
4,920,644	A	5/1990	LaGattuta				
4,936,014	A	6/1990	Shaanan et al.				
5,044,079	A	9/1991	Gibbs				
5,095,624	A	3/1992	Ennis				
5,125,157	A	6/1992	Howard				
5,400,509	A	3/1995	Collins				
5,511,310	A	4/1996	Sessions				
5,769,094	A	* 6/1998	Jenkins et al.	.....	30/161		
5,815,927	A	10/1998	Collins				
5,826,340	A	10/1998	Hull				
5,909,930	A	6/1999	Ragland				
5,966,816	A	10/1999	Roberson				
5,979,059	A	11/1999	Leatherman				
6,170,104	B1	1/2001	Seber				
6,170,158	B1	1/2001	Daily				
6,256,887	B1	7/2001	Osborne				
6,256,888	B1	7/2001	Shuen				
				6,263,581	B1	7/2001	Forte
				6,354,007	B1	* 3/2002	Scarla ..... 30/156
				6,370,778	B1	4/2002	Conable
				6,446,341	B1	9/2002	Wang
				6,487,740	B1	12/2002	Seber
				D474,669	S	* 5/2003	Onion ..... D8/99
				6,574,868	B1	* 6/2003	Overholt ..... 30/155
				6,688,003	B1	2/2004	Scarla
				D494,437	S	* 8/2004	Scarla ..... D8/99
				D495,939	S	* 9/2004	Ping ..... D8/99
				D501,782	S	* 2/2005	Ping ..... D8/99
				2002/0059730	A1	5/2002	Flavigny
				2004/0020057	A1	2/2004	Hughes
				2004/0045171	A1	3/2004	Moizis
				2004/0103541	A1	6/2004	Scarla

## FOREIGN PATENT DOCUMENTS

CN	200420020591.0	3/2004
WO	WO90086633	8/1990

\* cited by examiner

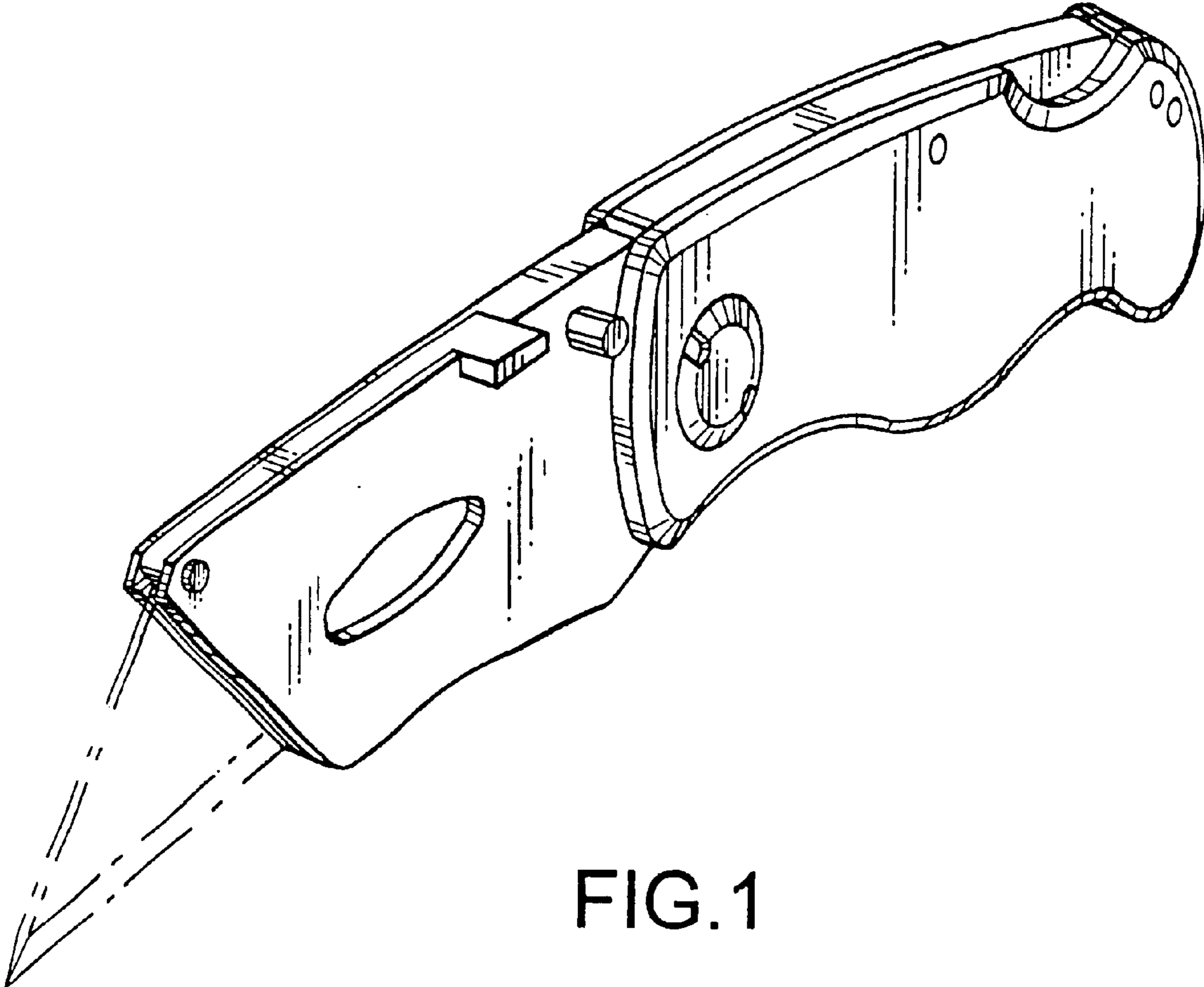


FIG. 1

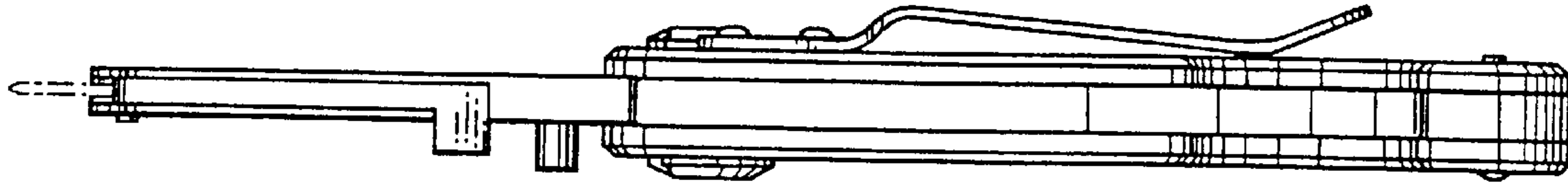


FIG. 2

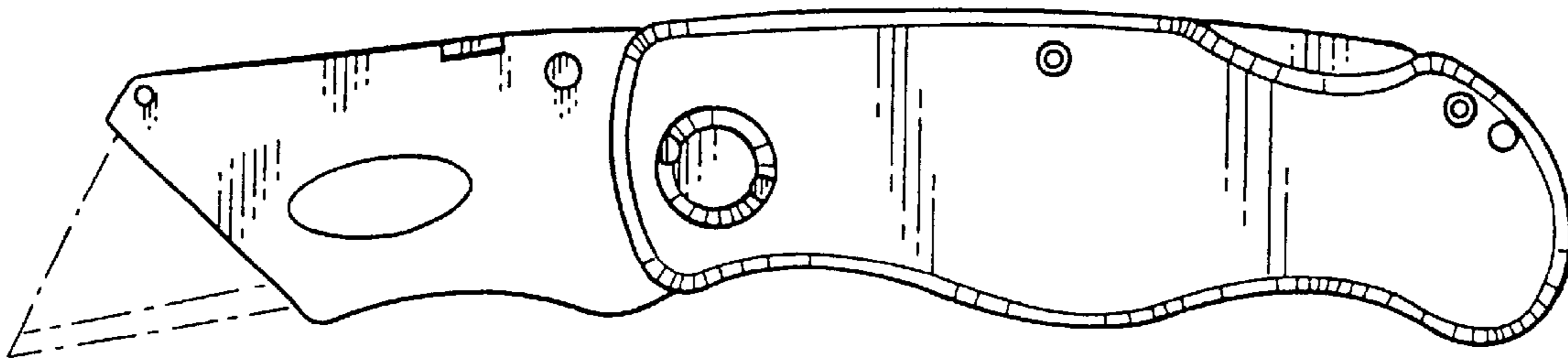


FIG. 3

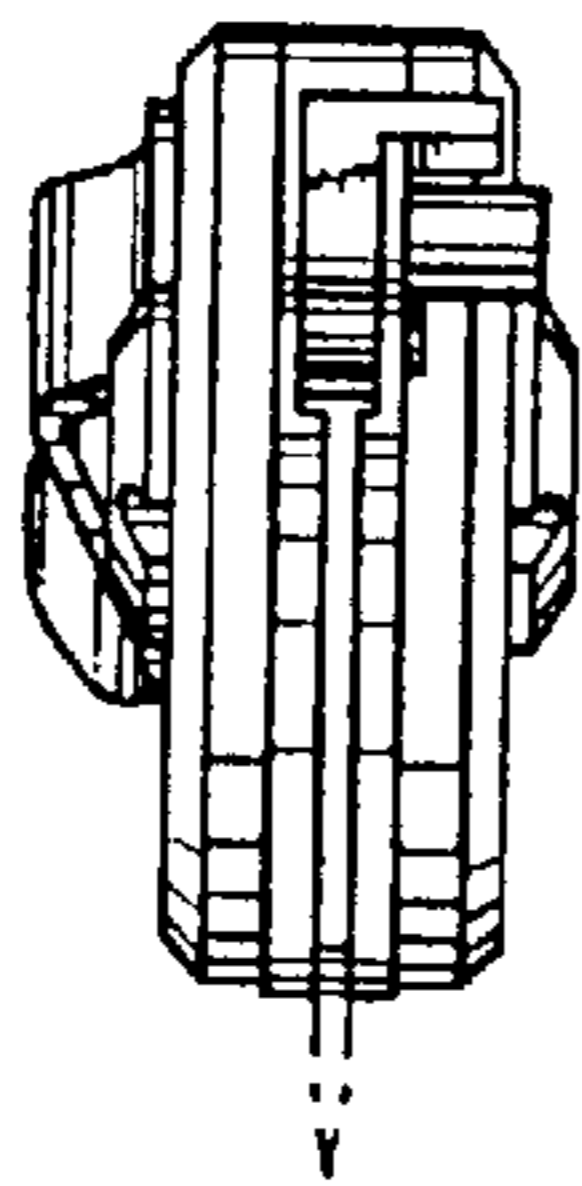


FIG. 4

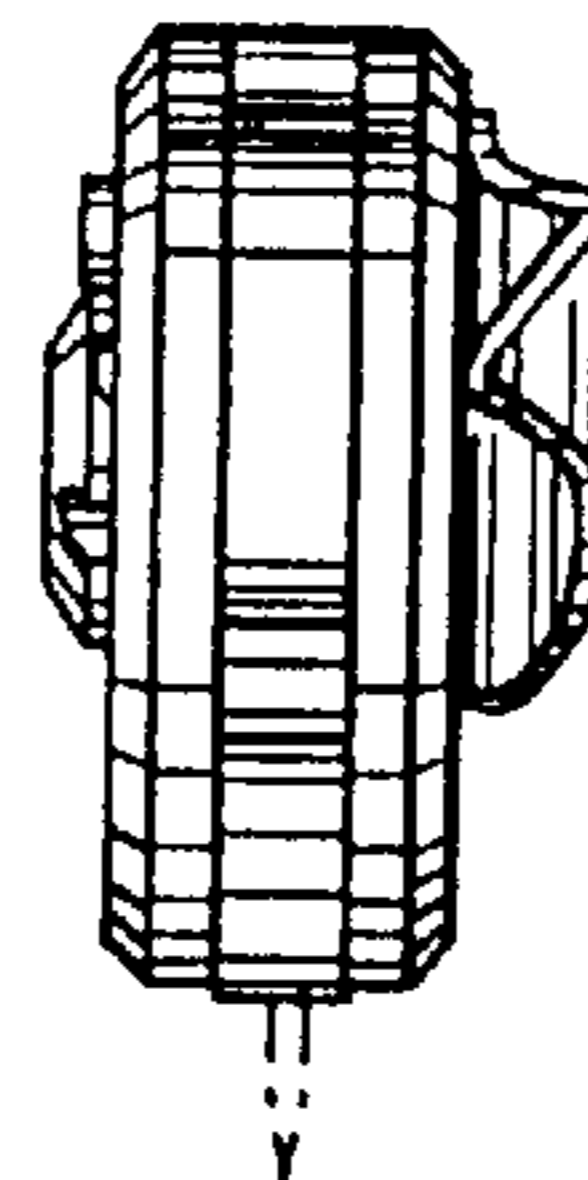


FIG. 5

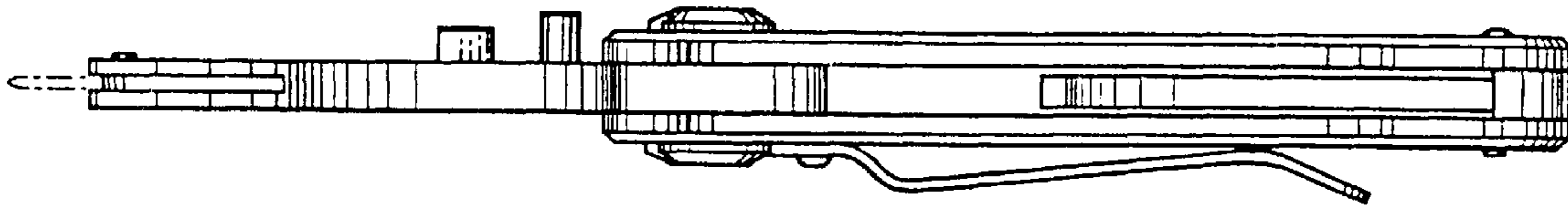


FIG. 6

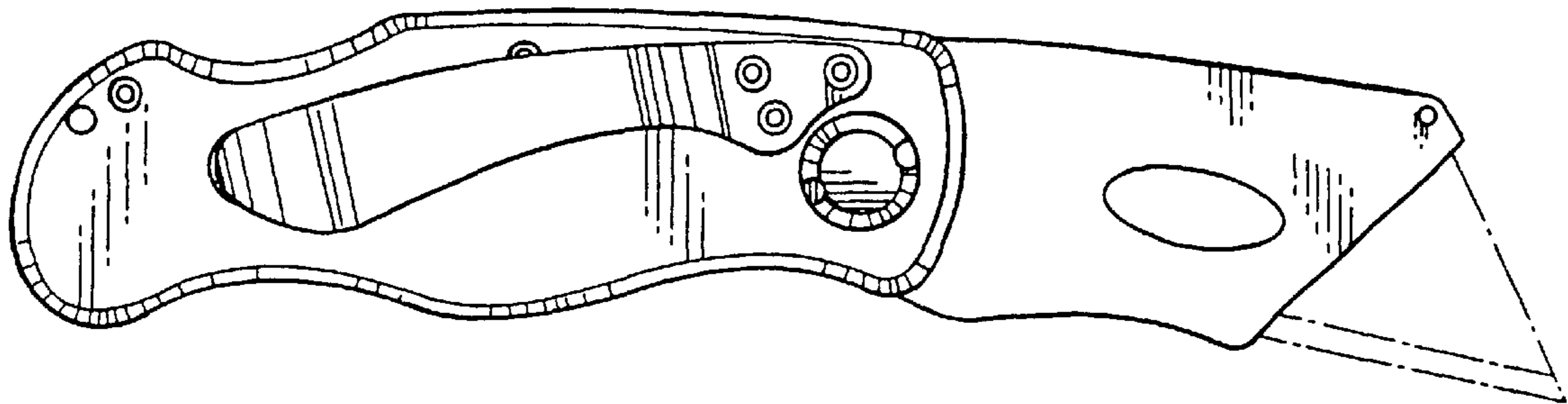


FIG. 7

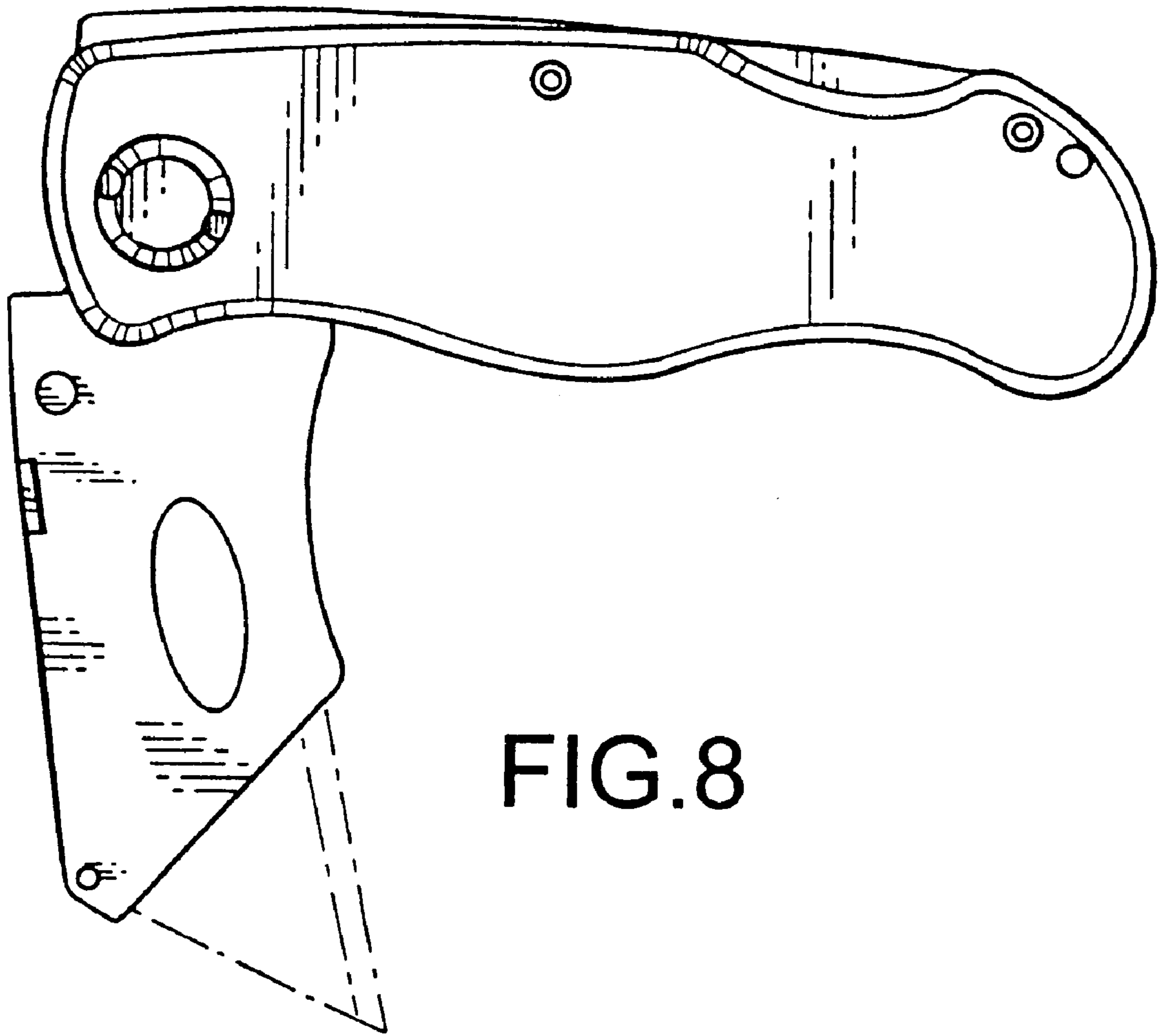


FIG. 8

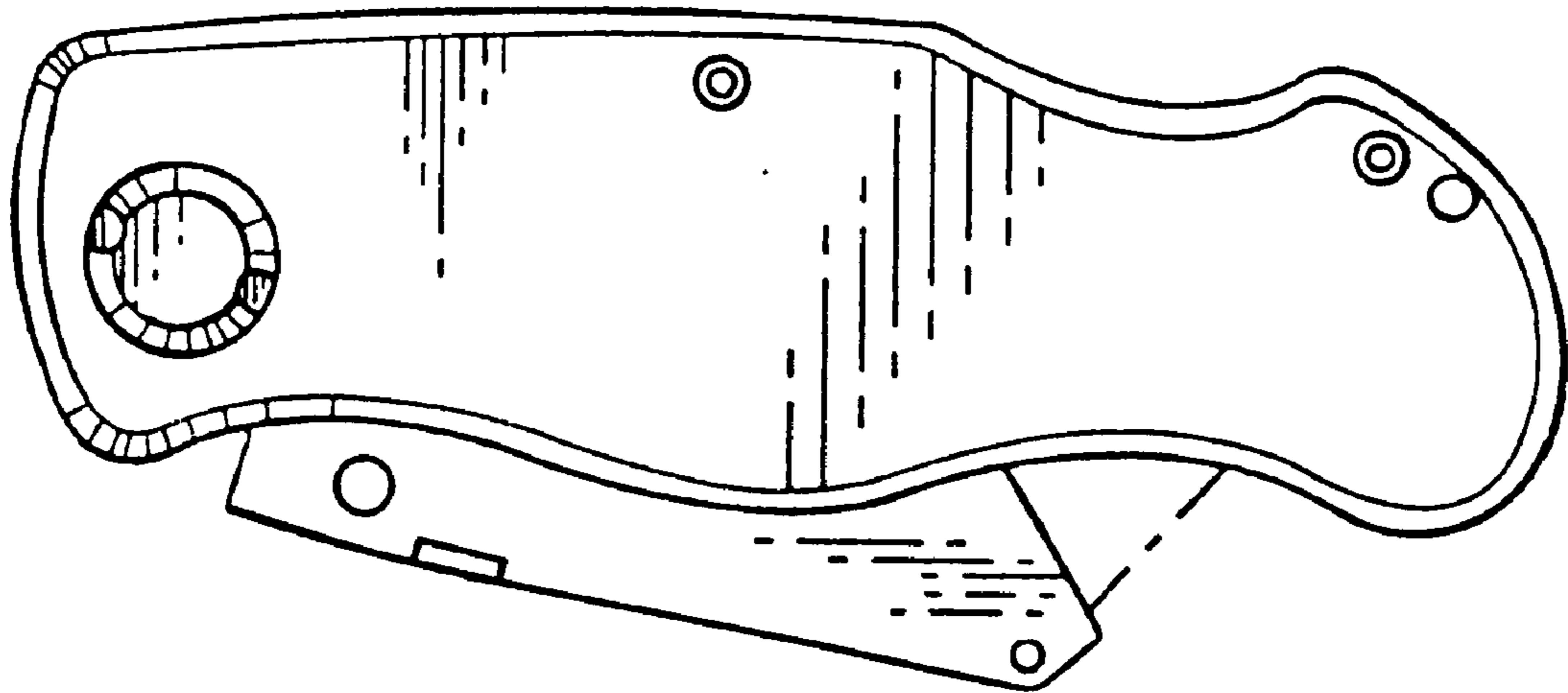


FIG. 9