

US00D526876S

(12) **United States Design Patent**
Smith

(10) **Patent No.:** **US D526,876 S**

(45) **Date of Patent:** **** Aug. 22, 2006**

(54) **KNIFE AND SCISSORS SHARPENER**

(75) Inventor: **Richard S. Smith**, Hot Springs, AR
(US)

(73) Assignee: **Smith Abrasives, Inc.**, Hot Springs, AR
(US)

(**) Term: **14 Years**

(21) Appl. No.: **29/225,567**

(22) Filed: **Mar. 14, 2005**

(51) **LOC (8) Cl.** **08-05**

(52) **U.S. Cl.** **D8/93**

(58) **Field of Classification Search** D8/91,
D8/93; 76/82, 82.2, 84, 86, 88; 451/461,
451/540, 552, 557-559

See application file for complete search history.

(56) **References Cited**

U.S. PATENT DOCUMENTS

D145,803 S	*	10/1946	Jones	D8/93
D173,204 S	*	10/1954	Hussar	D8/93
D183,530 S	*	9/1958	Lamb	D8/93
D299,308 S	*	1/1989	Prindle	D8/93
D308,018 S	*	5/1990	Linden et al.	D8/93
D309,415 S	*	7/1990	Shimizu	D8/93
D315,663 S	*	3/1991	Dolbosco	D8/93
D323,450 S	*	1/1992	Shimizu	D8/93
5,163,251 A	*	11/1992	Lee	451/555
D357,395 S	*	4/1995	Friel	D8/93
5,404,679 A	*	4/1995	Friel et al.	451/312
D368,217 S	*	3/1996	Friel	D8/93
D372,181 S	*	7/1996	Kelley	D8/93

D375,241 S	*	11/1996	Pigott	D8/93
D388,304 S	*	12/1997	Friel	D8/93
D392,869 S	*	3/1998	Rieser	D8/93
D402,523 S	*	12/1998	Thomas	D8/93
D410,185 S	*	5/1999	Huber	D8/93
D470,382 S	*	2/2003	Kurz	D8/93
D500,439 S	*	1/2005	Rosenthal	D8/93

* cited by examiner

Primary Examiner—Philip S. Hyder

Assistant Examiner—RoseLynne (Ulm) Cody

(74) *Attorney, Agent, or Firm*—Edward D. Gilhooly

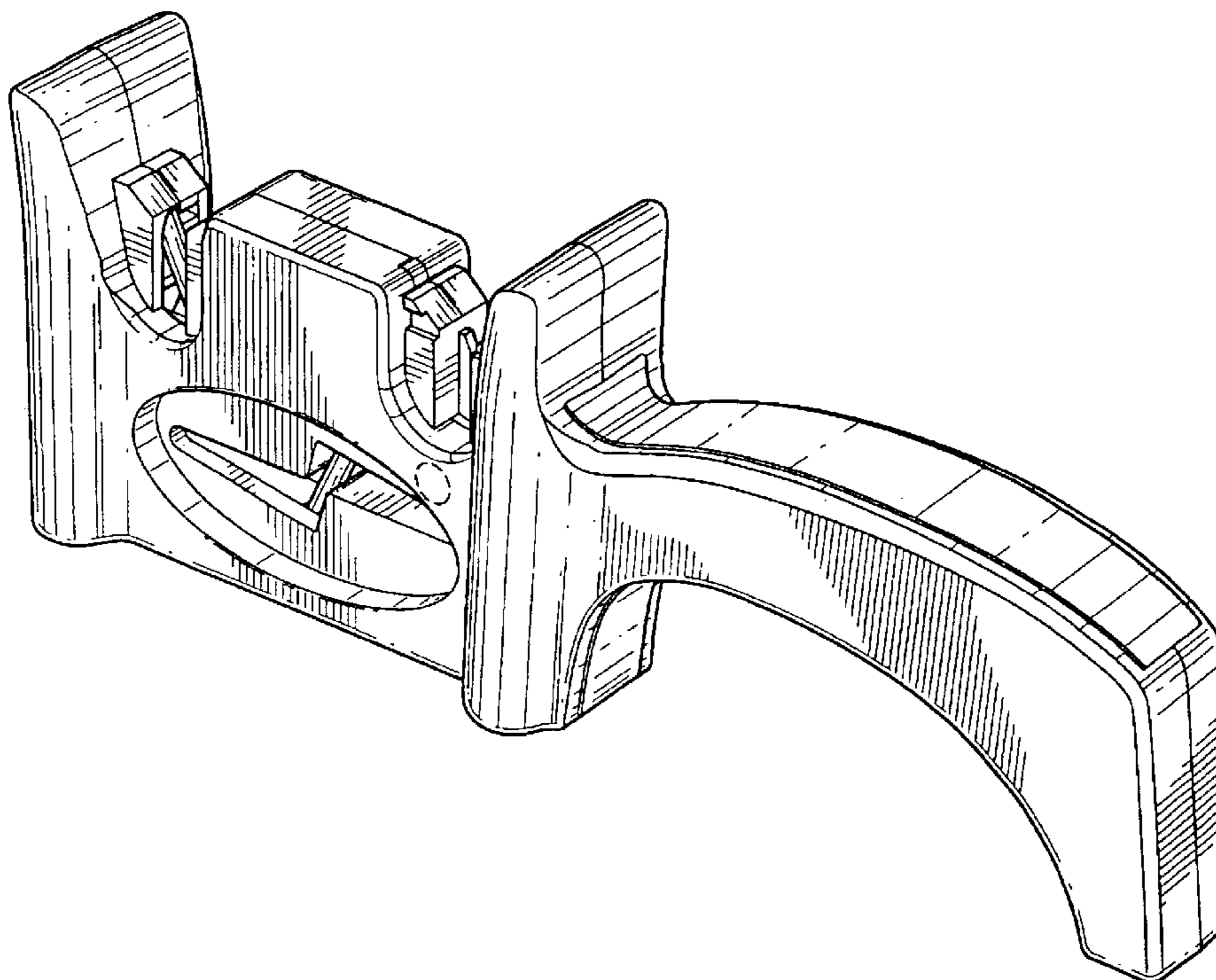
(57) **CLAIM**

The ornamental design for a knife and scissors sharpener, as shown and described.

DESCRIPTION

FIG. 1 is a front perspective view of the ornamental design for knife and scissors sharpener of the invention; FIG. 2 is a rear elevational view, of the ornamental design for knife and scissors sharpener of FIG. 1; FIG. 3 is a front elevational view of the ornamental design for knife and scissors sharpener of FIG. 1; FIG. 4 is a right side elevational view of the ornamental design for knife and scissors sharpener of FIG. 1; FIG. 5 is a left side elevational view of the ornamental design for knife and scissors sharpener of FIG. 1; FIG. 6 is a top plan view of the ornamental design for knife and scissors sharpener of FIG. 1; and, FIG. 7 is a bottom plan view of the ornamental design for knife and scissors sharpener of FIG. 1.

1 Claim, 5 Drawing Sheets



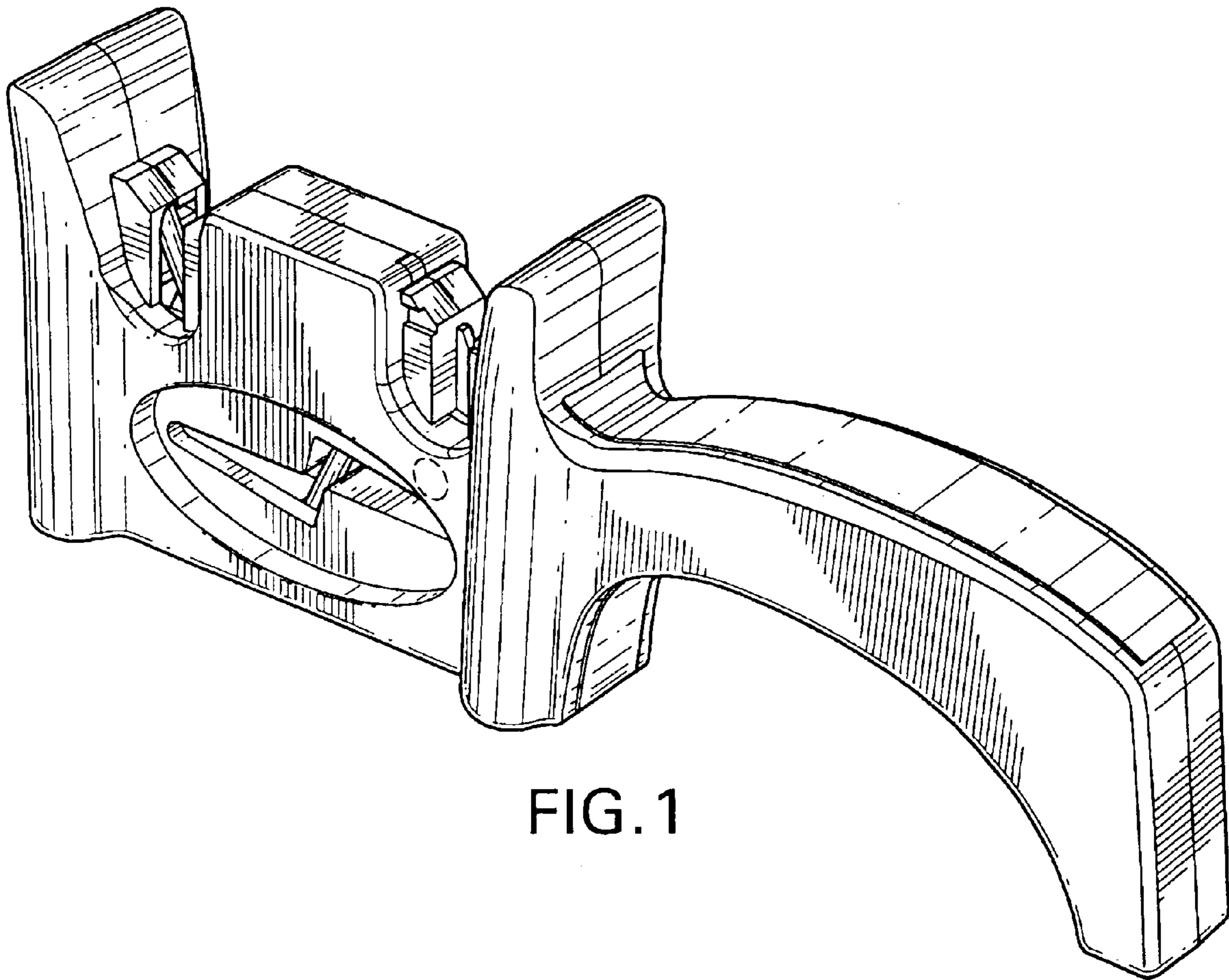


FIG. 1

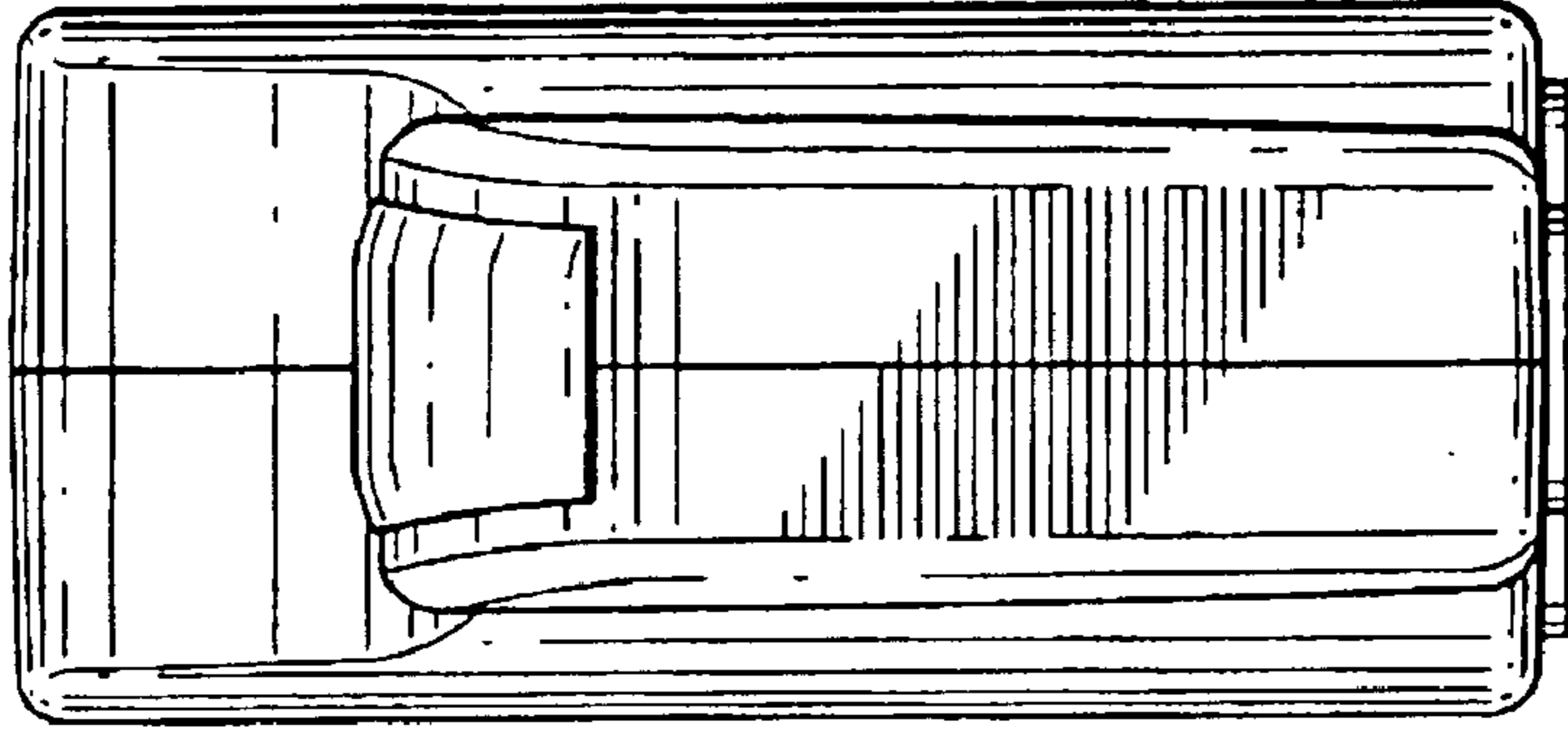


FIG. 3

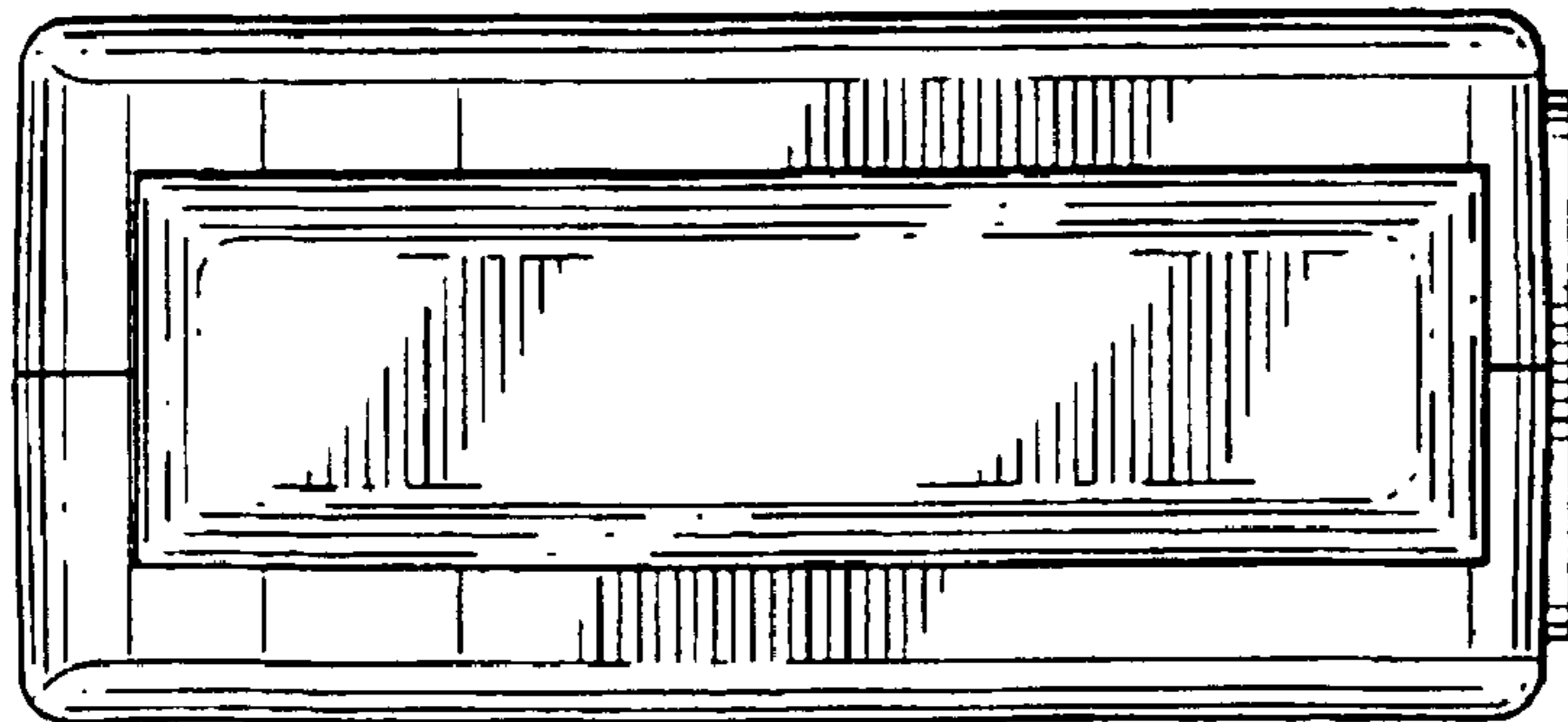


FIG. 2

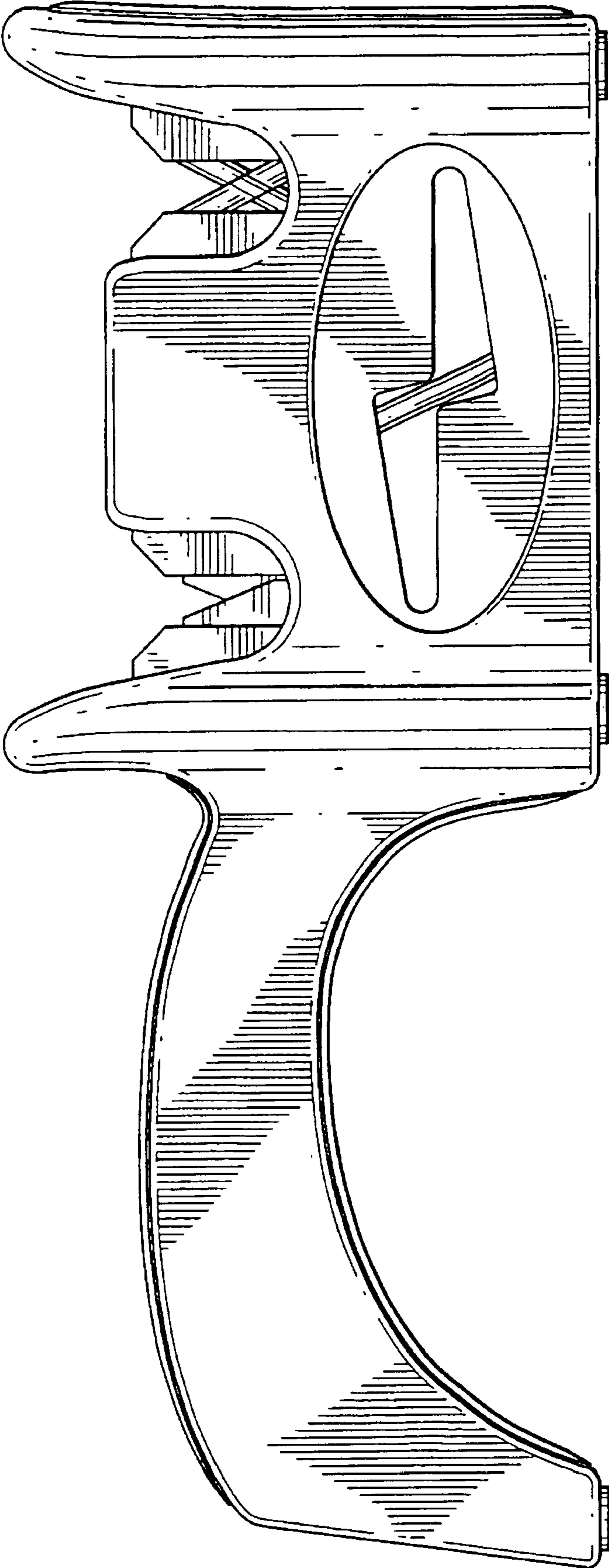


FIG. 4

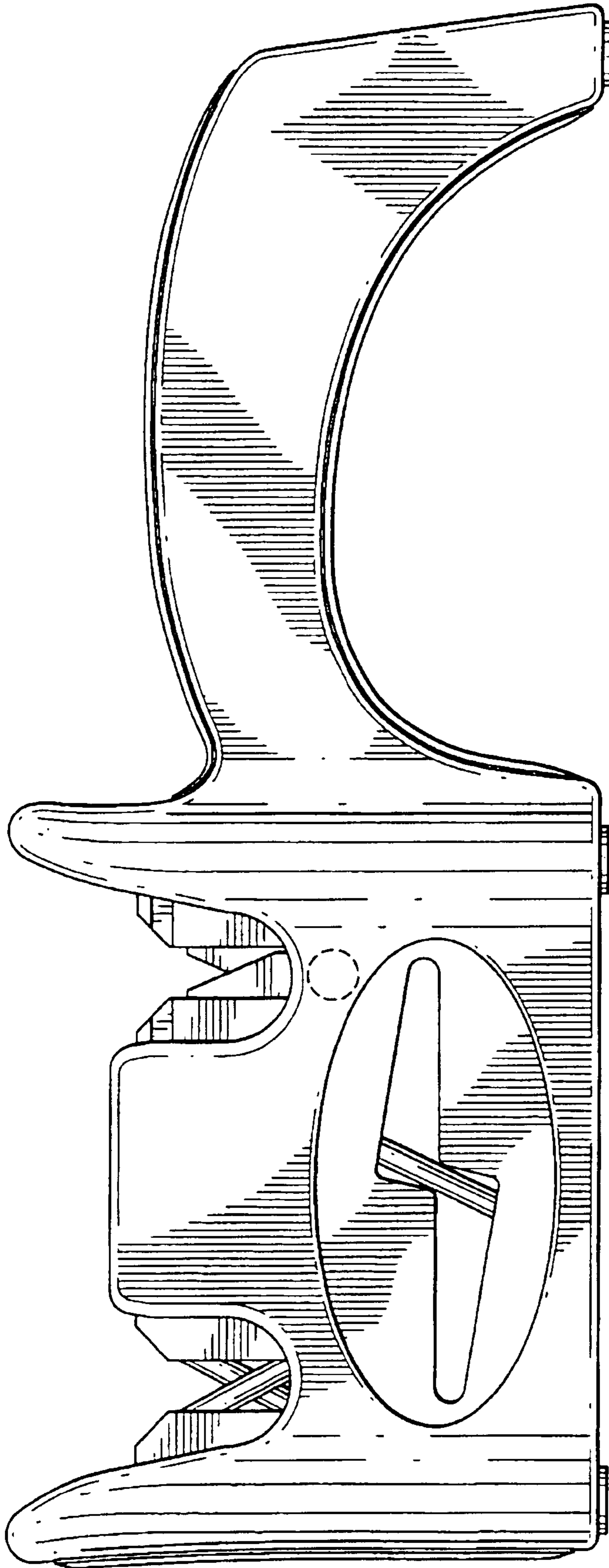


FIG. 5

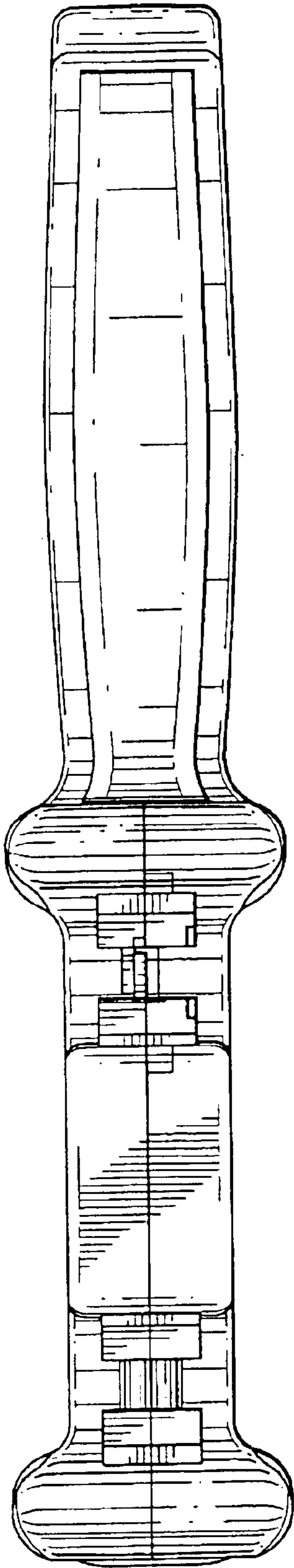


FIG. 6

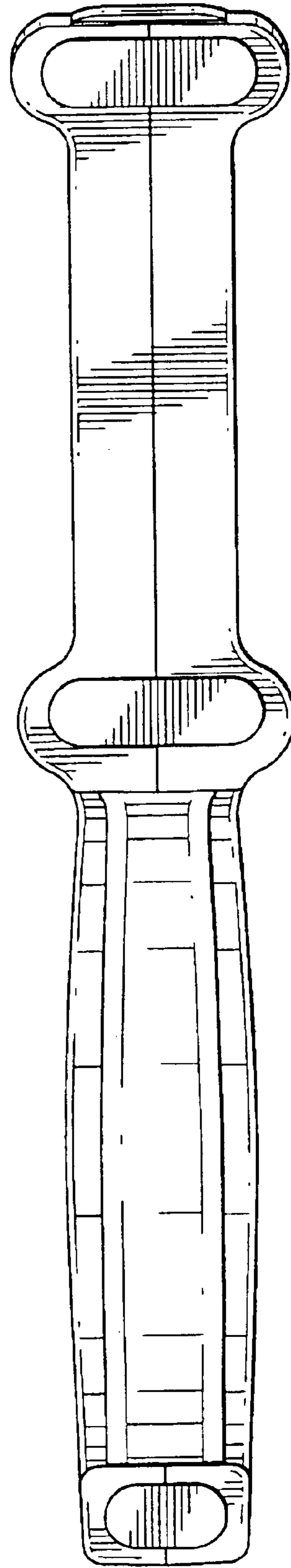


FIG. 7