



US00D526871S

(12) **United States Design Patent**
Andriolo

(10) **Patent No.:** **US D526,871 S**

(45) **Date of Patent:** **** Aug. 22, 2006**

(54) **SANDER**

(75) Inventor: **Paolo Andriolo**, Vicenza (IT)

(73) Assignee: **Positec Power Tools (Suzhou) Co., Ltd.**, Jiangsu Province (CN)

(**) Term: **14 Years**

(21) Appl. No.: **29/236,475**

(22) Filed: **Aug. 17, 2005**

(30) **Foreign Application Priority Data**

Feb. 21, 2005 (CN) 200530080897

(51) **LOC (8) Cl.** **08-01**

(52) **U.S. Cl.** **D8/62**

(58) **Field of Classification Search** D8/67,
D8/62, 61; D32/15, 17, 19; D4/102; 451/456,
451/451, 359, 358, 357, 356, 355, 354, 353,
451/351, 344

See application file for complete search history.

(56) **References Cited**

U.S. PATENT DOCUMENTS

D170,198 S * 8/1953 Harris D32/19
D283,590 S * 4/1986 Ibaraki D8/62
D332,734 S * 1/1993 Fushiya et al. D4/102
D347,561 S * 6/1994 Huber et al. D8/62
D354,425 S * 1/1995 Izumisawa D8/62

D356,017 S * 3/1995 Izumisawa D8/62
D386,376 S * 11/1997 Kaneko et al. D8/62
D416,112 S * 11/1999 Holliday et al. D32/19
D469,933 S * 2/2003 Liang-Ming D32/15
D476,543 S * 7/2003 Wu D8/62
D478,488 S * 8/2003 Bruno et al. D8/62
D488,365 S * 4/2004 Liu D8/62
2005/0170763 A1 * 8/2005 Sun et al. 451/359
2005/0245182 A1 * 11/2005 Deshpande et al. 451/357
2005/0245183 A1 * 11/2005 Deshpande et al. 451/357

* cited by examiner

Primary Examiner—Cathron C. Brooks

Assistant Examiner—Austin Murphy

(74) *Attorney, Agent, or Firm*—Marshall, Gerstein & Borun LLP

(57) **CLAIM**

The ornamental design for a sander, as shown.

DESCRIPTION

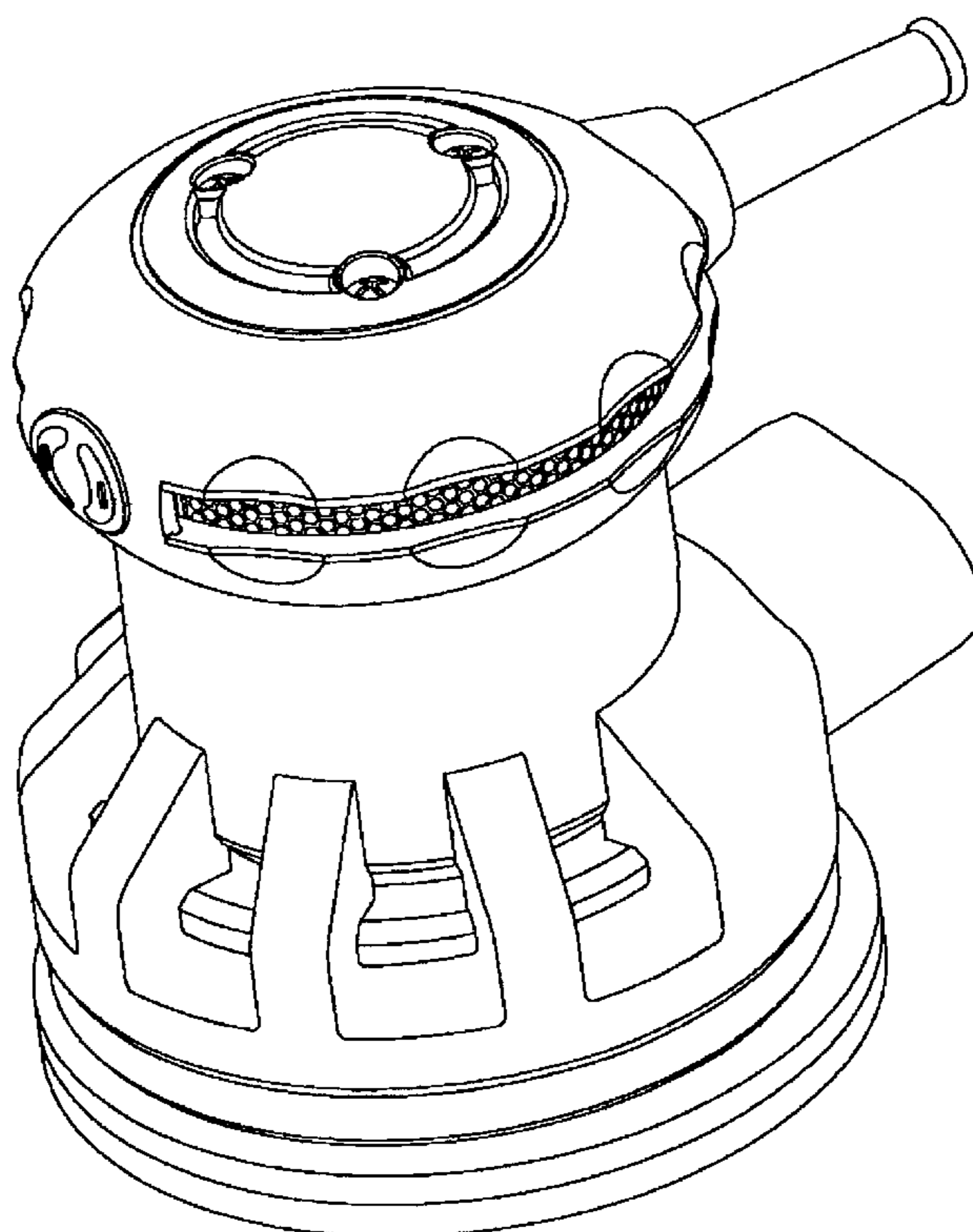
FIG. 1 is a perspective view of a sander in accordance the present invention.

FIGS. 2 and 3 are opposite elevational side views of the sander seen in FIG. 1.

FIGS. 4 and 5 are elevational front and back views of the sander; and,

FIGS. 6 and 7 are top and bottom plan views of the sander.

1 Claim, 7 Drawing Sheets



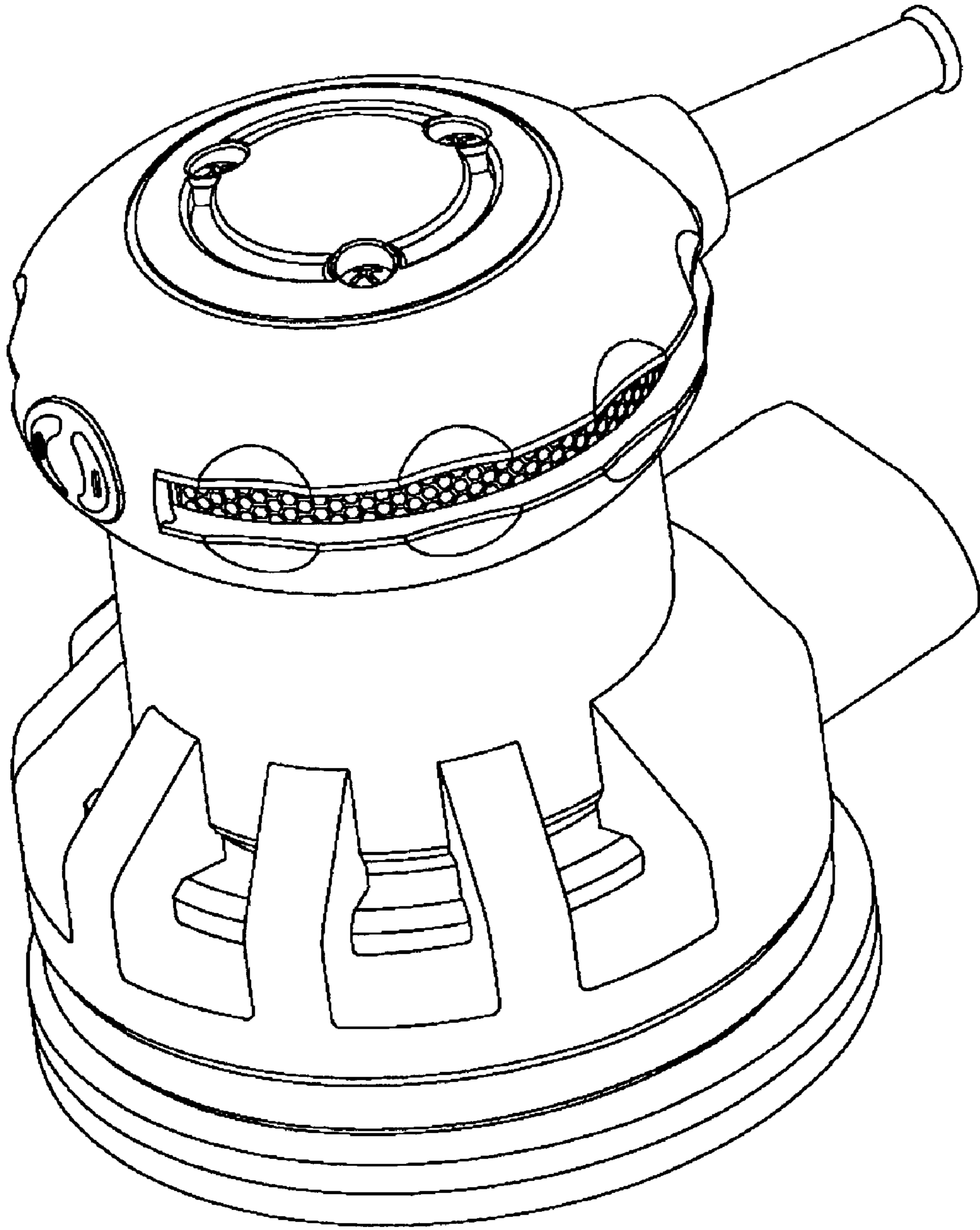


FIG. 1

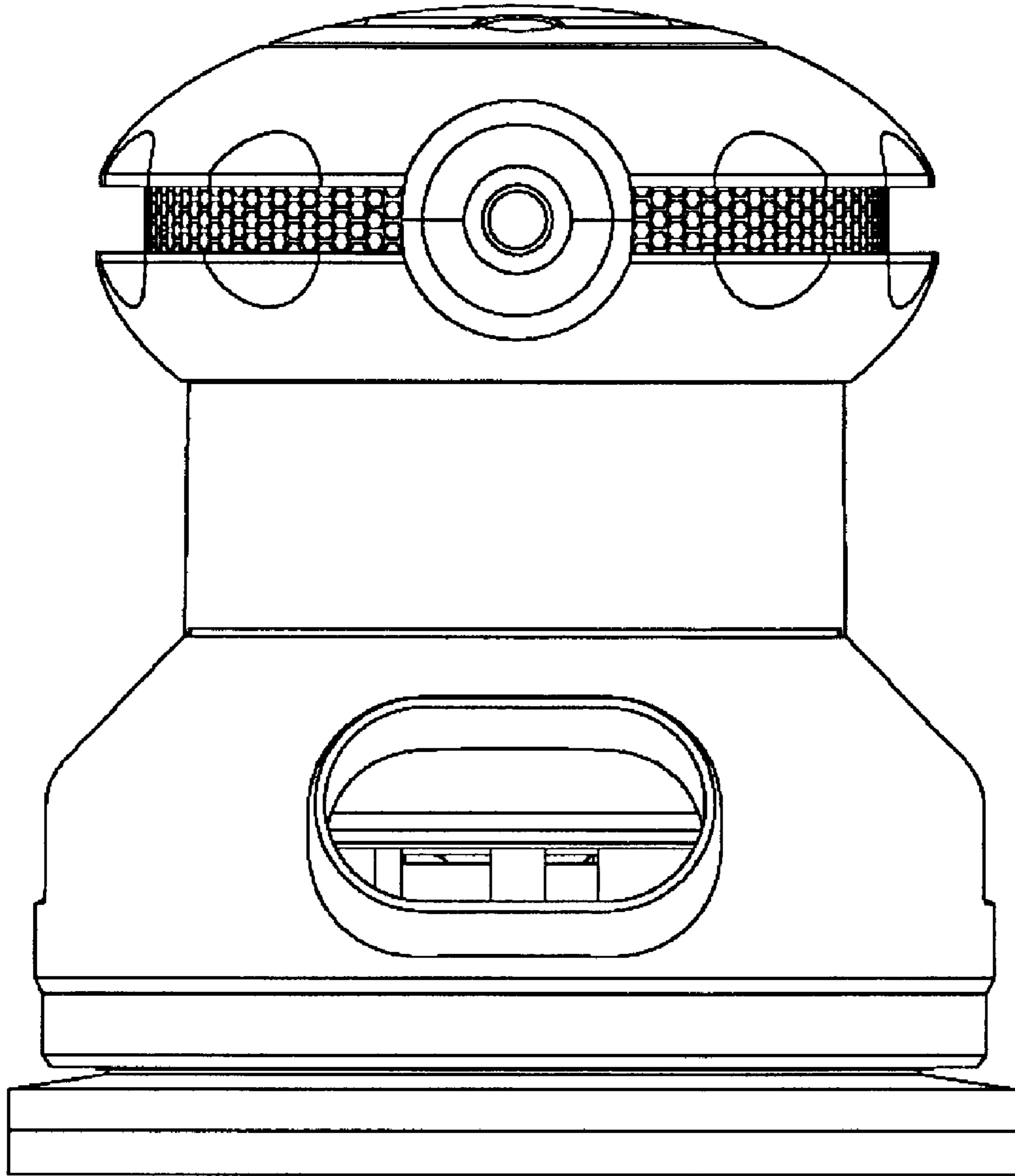


FIG. 2

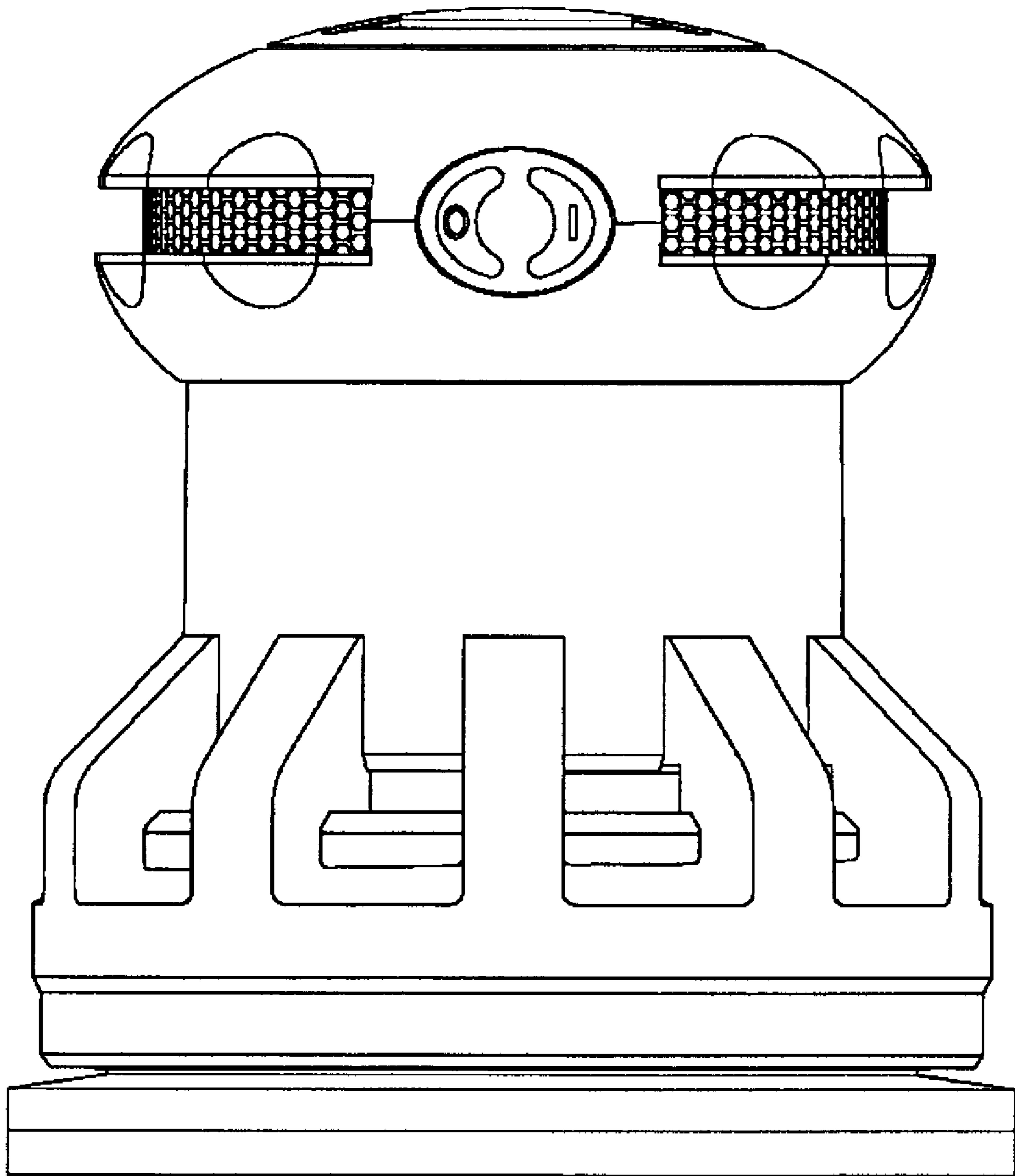


FIG. 3

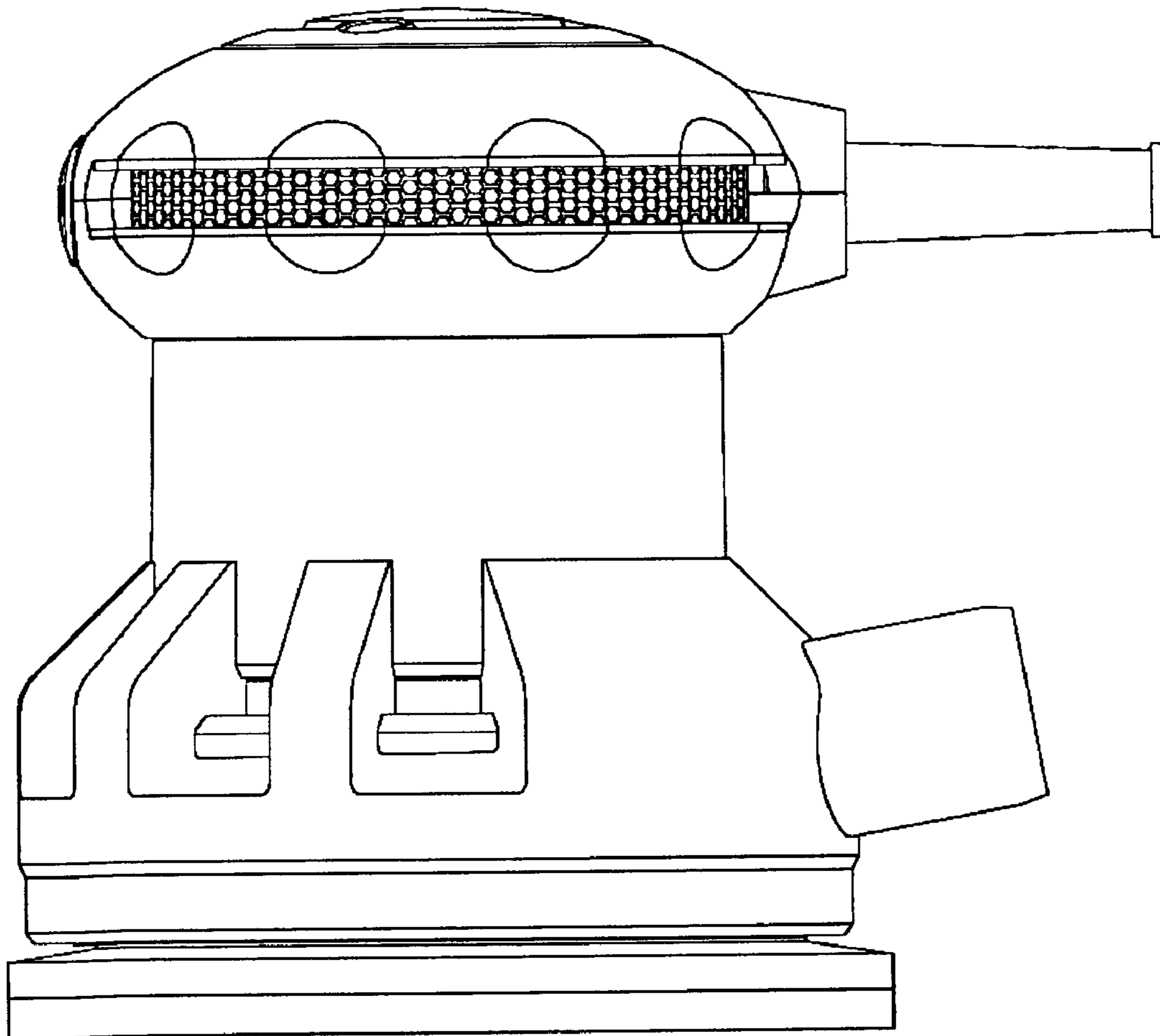


FIG. 4

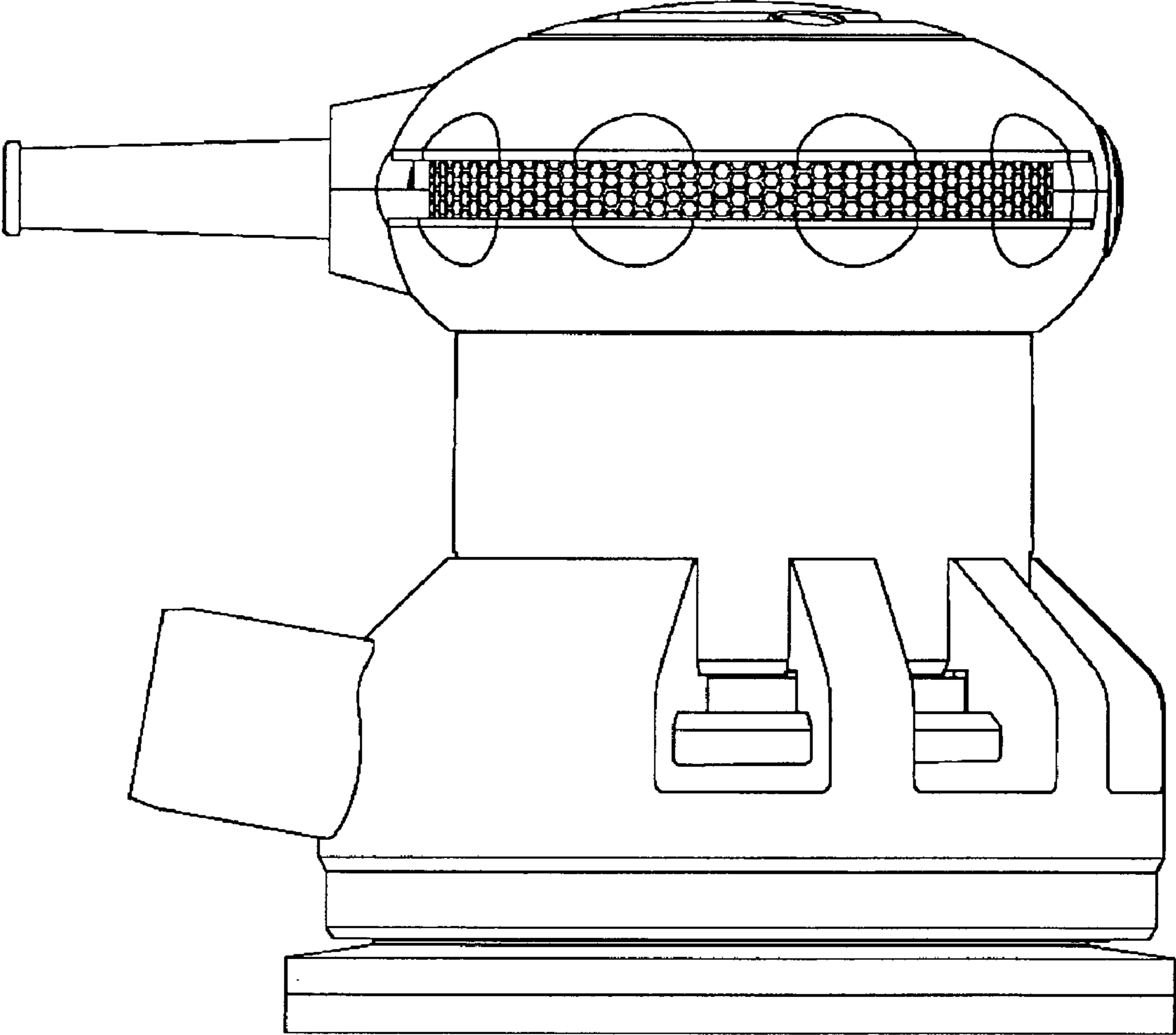


FIG. 5

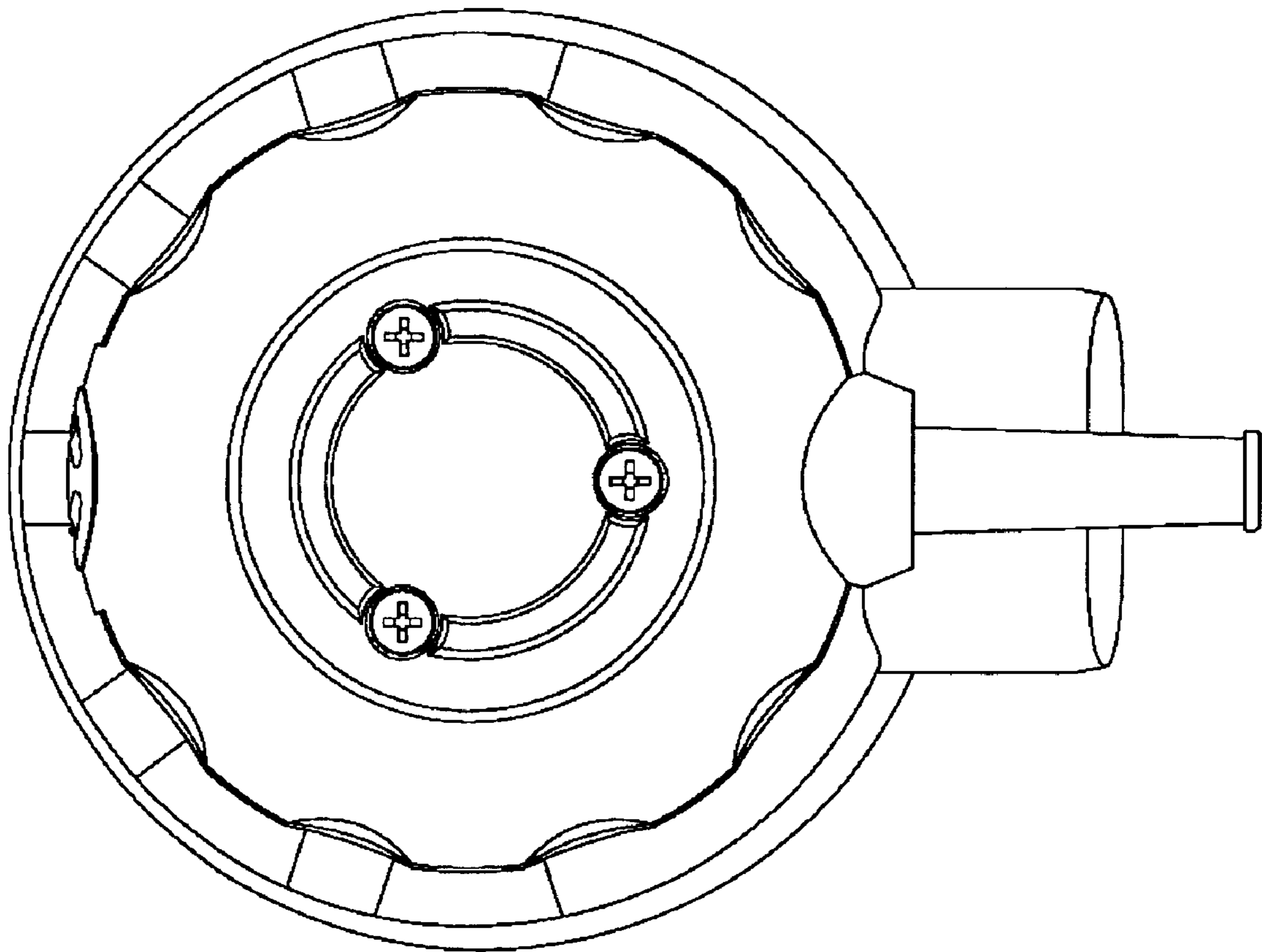


FIG. 6

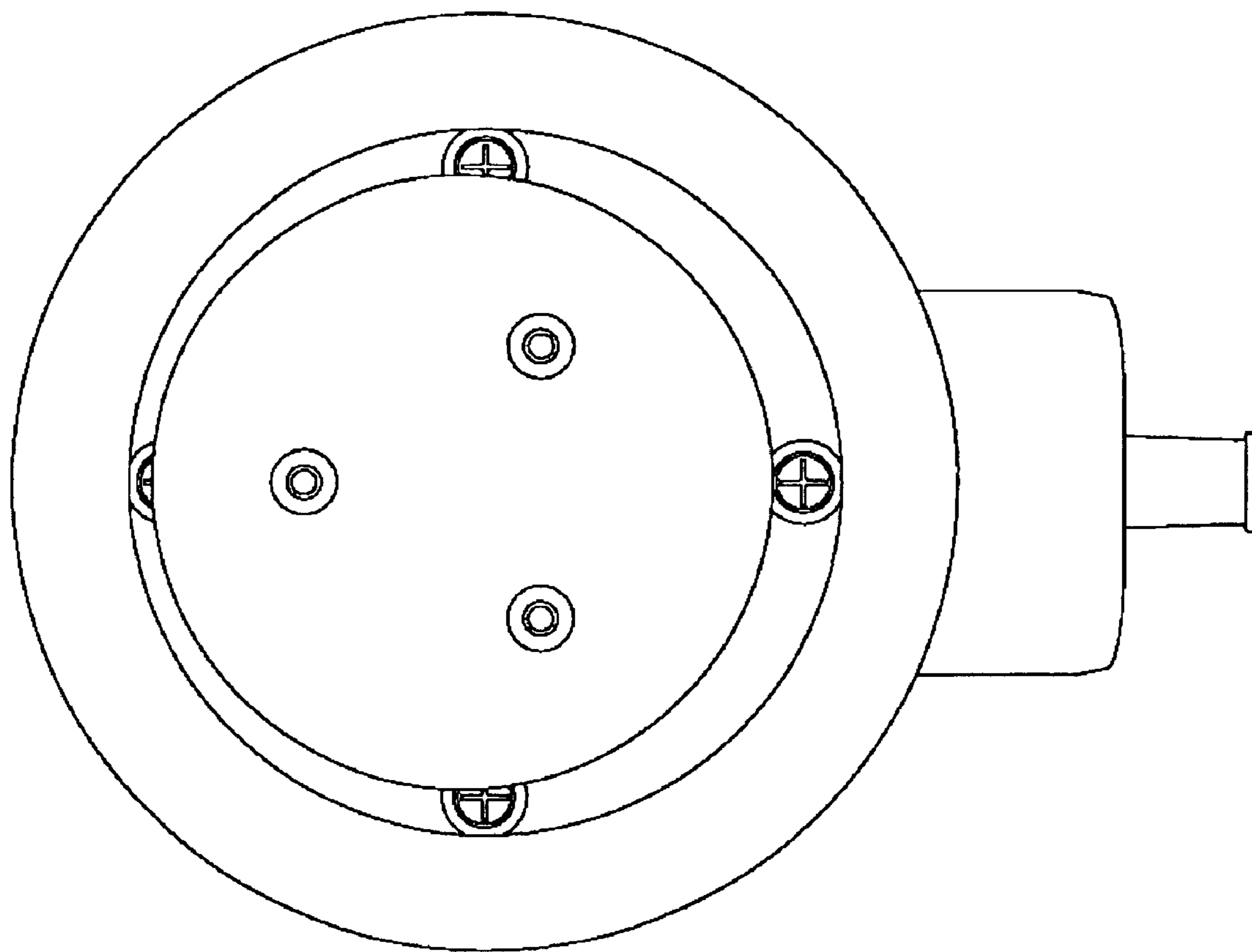


FIG. 7