



US00D526869S

(12) **United States Design Patent**  
**Heun**

(10) **Patent No.:** **US D526,869 S**

(45) **Date of Patent:** **\*\* Aug. 22, 2006**

(54) **ELECTRIC SANDER**

(75) Inventor: **Ping Hay Heun**, Hong Kong (CN)

(73) Assignee: **Choon Nang Electrical Appliance Mfy., Ltd.**, Aberdeen (HK)

(\*\*) Term: **14 Years**

(21) Appl. No.: **29/227,079**

(22) Filed: **Apr. 6, 2005**

(30) **Foreign Application Priority Data**

Jan. 18, 2005 (HK) ..... 0500122.3M0002

(51) **LOC (8) Cl.** ..... **08-01**

(52) **U.S. Cl.** ..... **D8/62**

(58) **Field of Classification Search** ..... D8/67,  
D8/62, 61; D32/15, 17, 19; D4/102; 451/456,  
451/451, 359, 358, 357, 356, 355, 354, 353,  
451/351, 344

See application file for complete search history.

(56) **References Cited**

**U.S. PATENT DOCUMENTS**

D392,778 S \* 3/1998 McCracken ..... D32/19

D416,459 S \* 11/1999 Pears ..... D8/62

D475,908 S \* 6/2003 Boyer ..... D8/61  
D507,731 S \* 7/2005 Robson ..... D8/62  
D511,953 S \* 11/2005 Janson ..... D8/62  
2003/0228833 A1 \* 12/2003 Boyer ..... 451/344

\* cited by examiner

*Primary Examiner*—Cathron C. Brooks

*Assistant Examiner*—Austin Murphy

(74) *Attorney, Agent, or Firm*—Alix, Yale & Ristas, LLP

(57) **CLAIM**

The ornamental design for an electric sander, as shown and described.

**DESCRIPTION**

FIG. 1 is a front end, left side and top perspective view of an electric sander showing my new design;

FIG. 2 is a rear end, right side and top perspective view thereof;

FIG. 3 is a left side elevational view thereof;

FIG. 4 is a right side elevational view thereof;

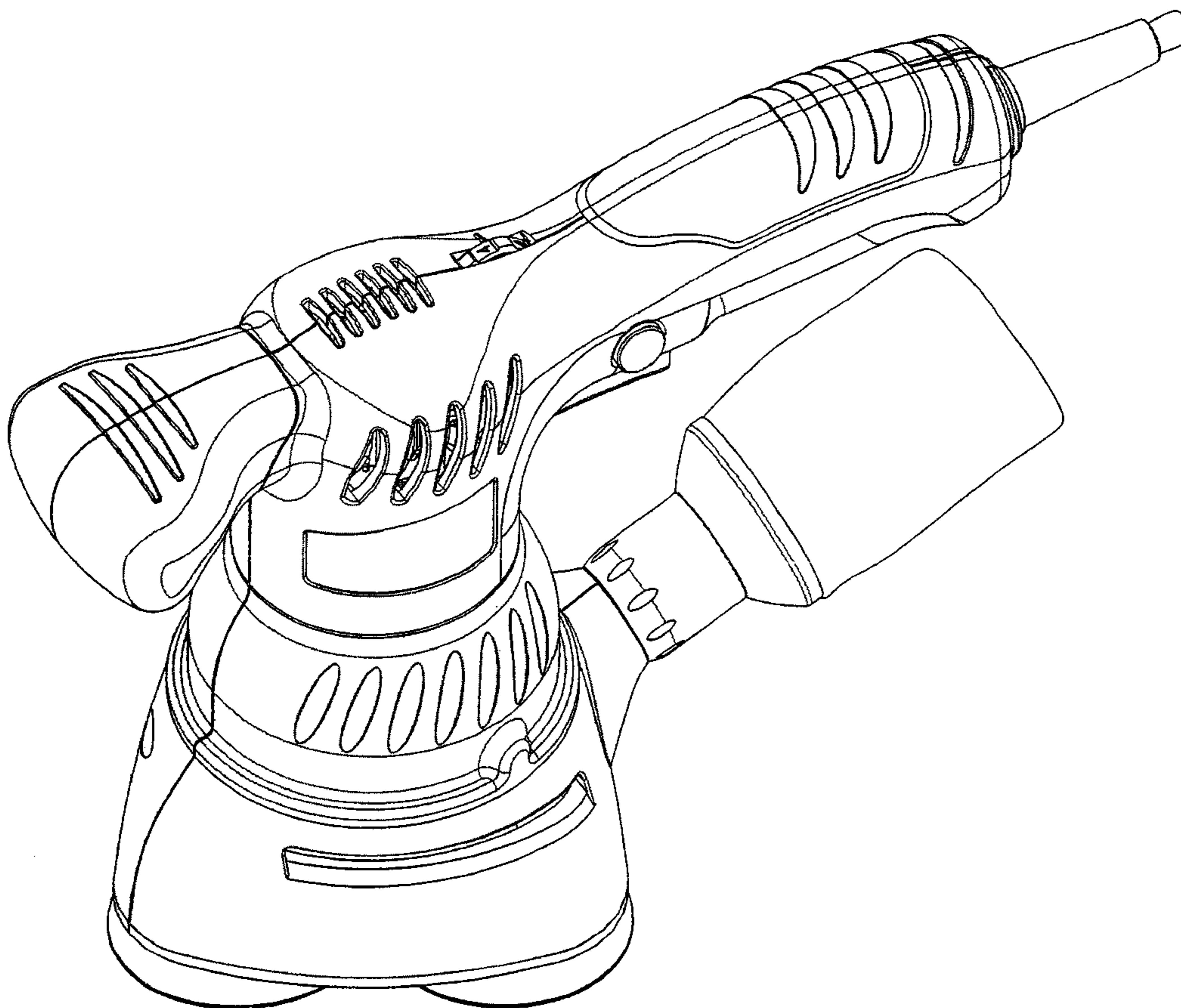
FIG. 5 is a front elevational view thereof;

FIG. 6 is a rear elevational view thereof;

FIG. 7 is a top plan thereof; and,

FIG. 8 is a bottom plan view thereof.

**1 Claim, 7 Drawing Sheets**



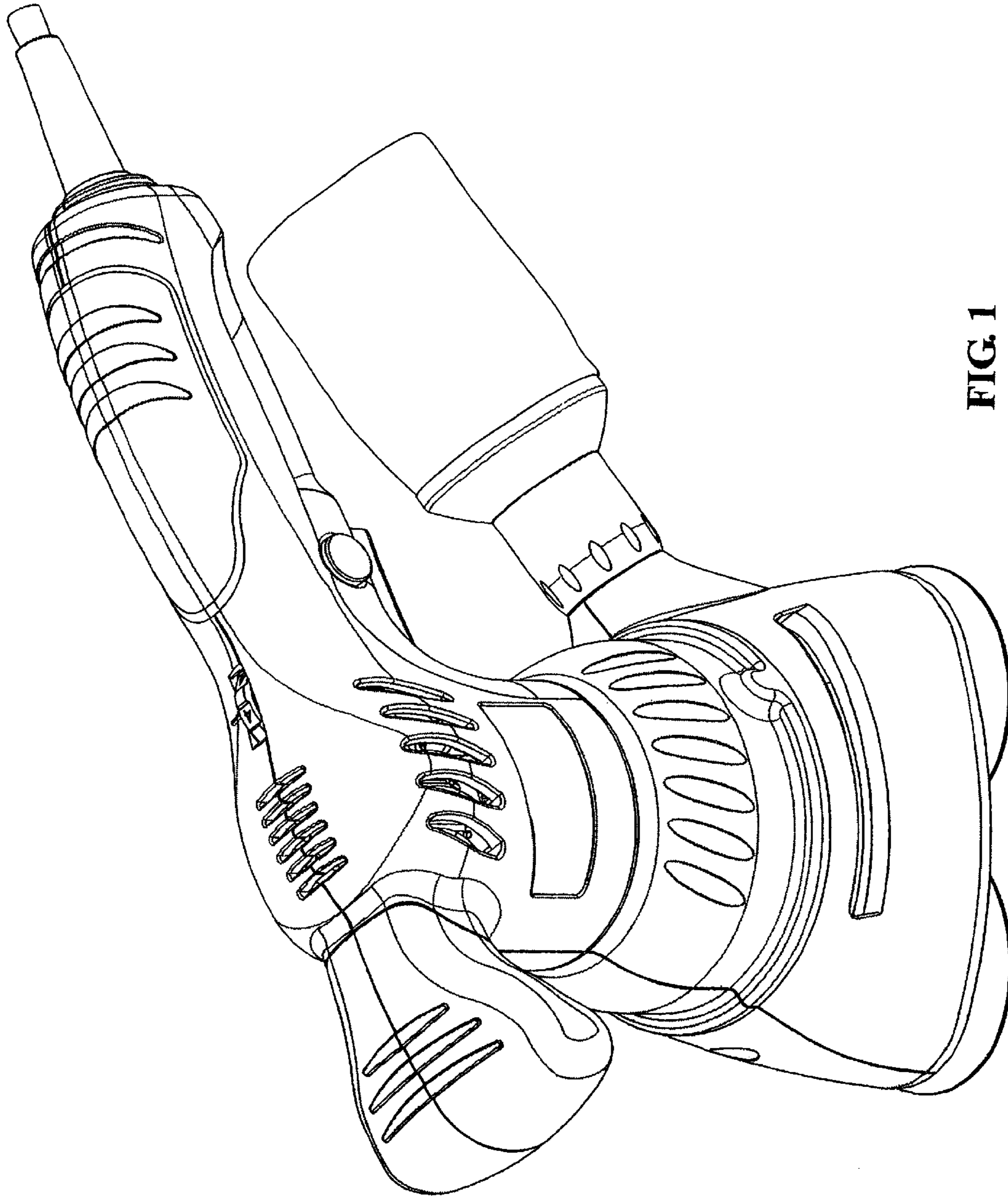


FIG. 1

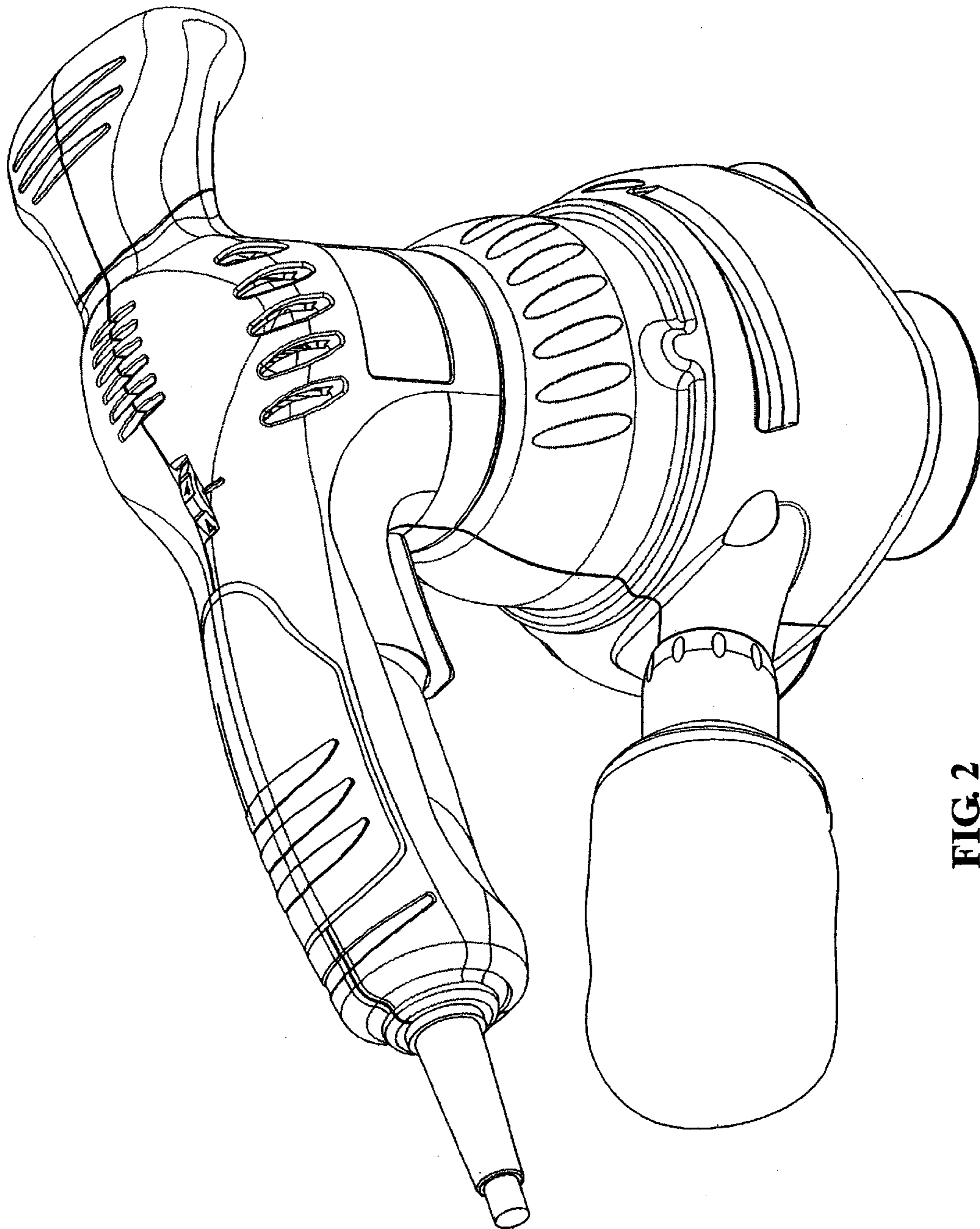


FIG. 2

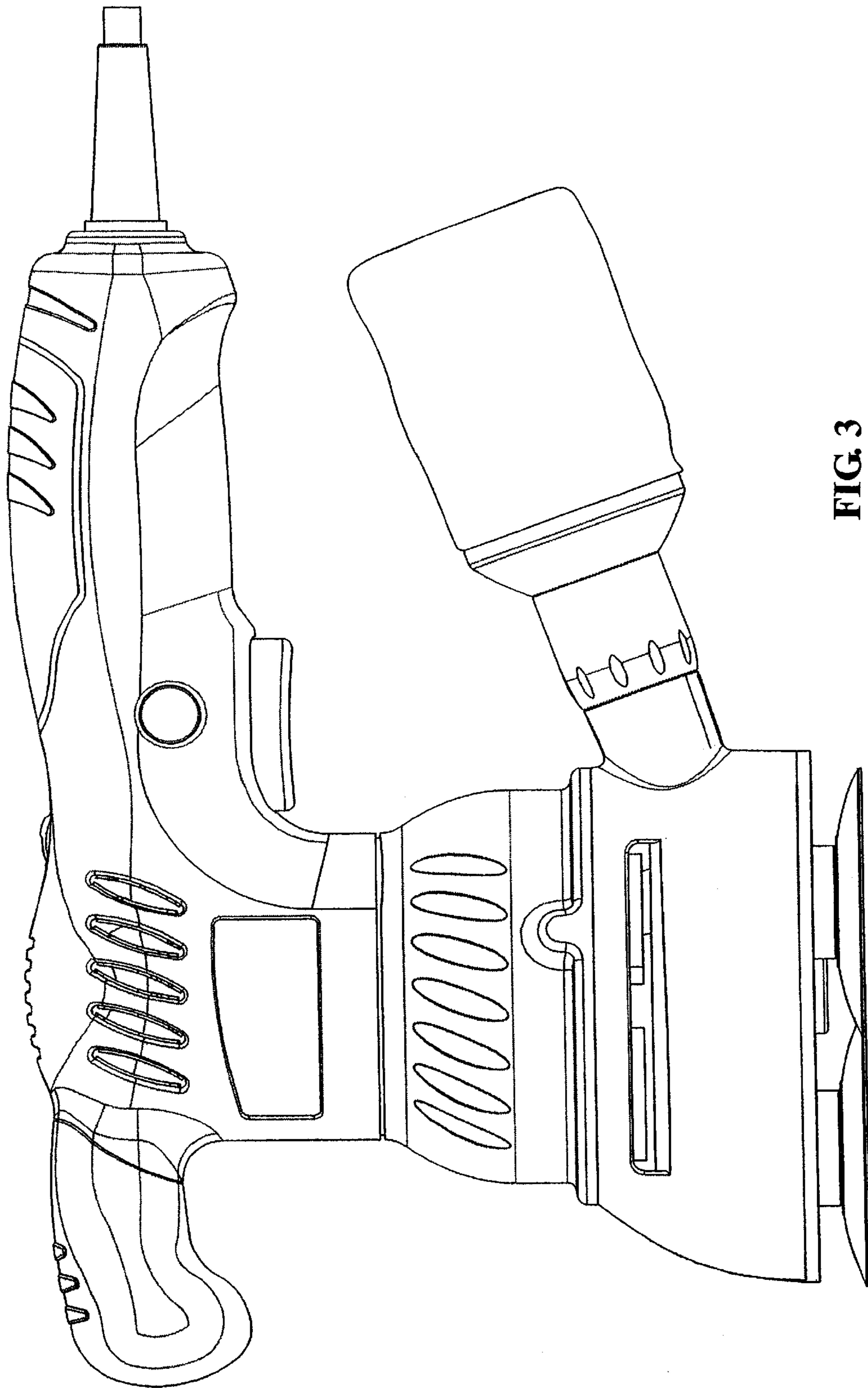


FIG. 3

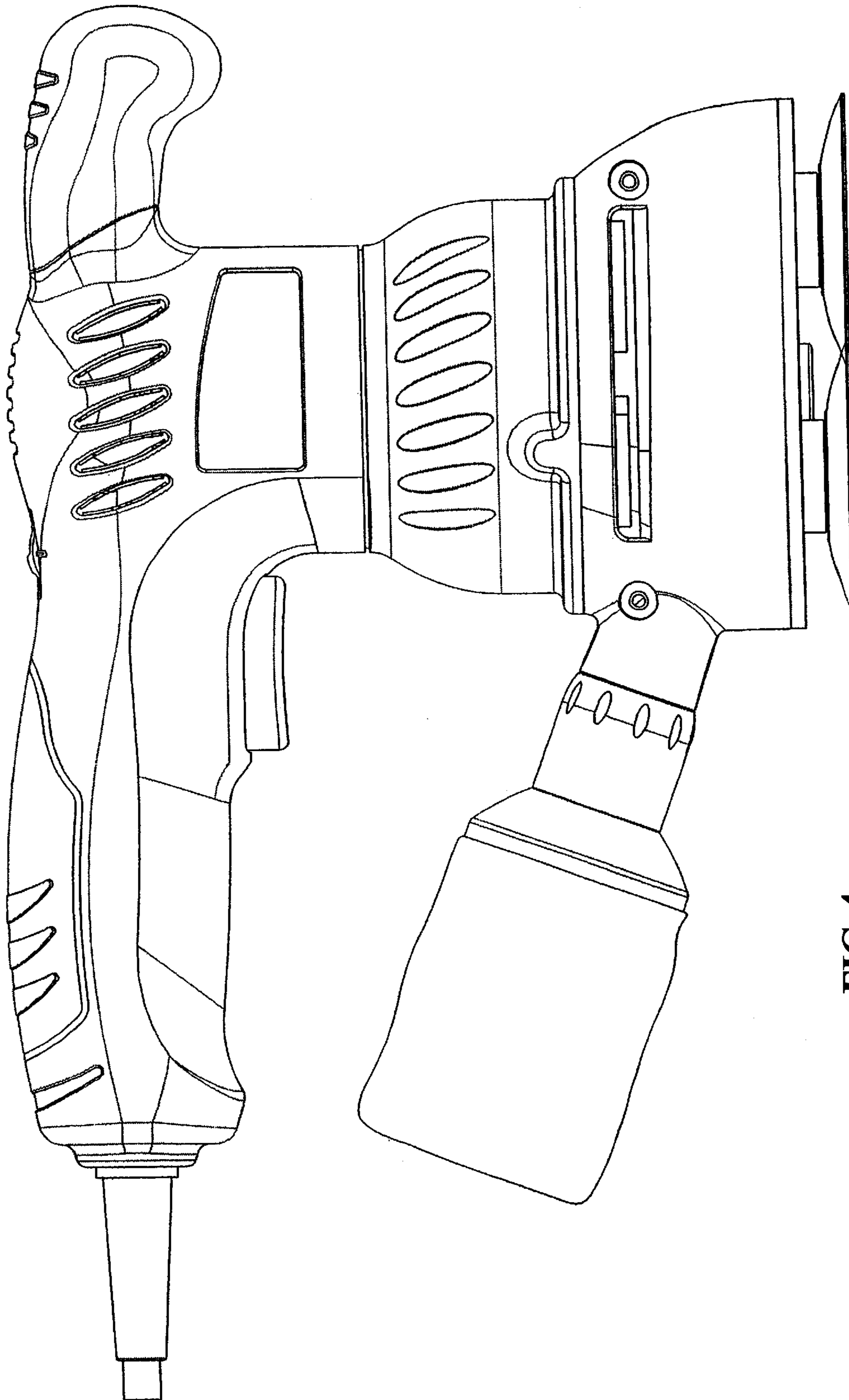


FIG. 4

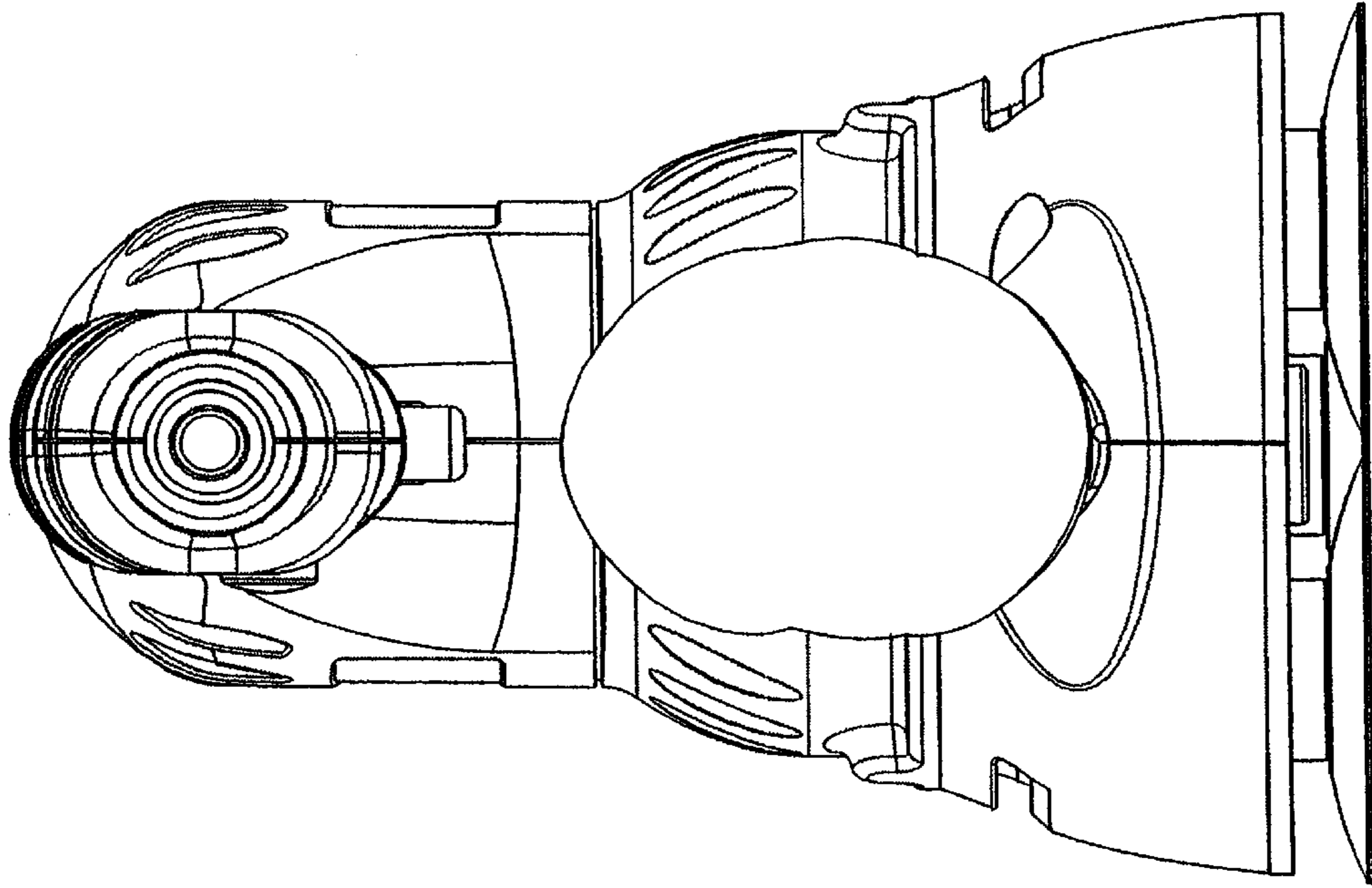


FIG. 6

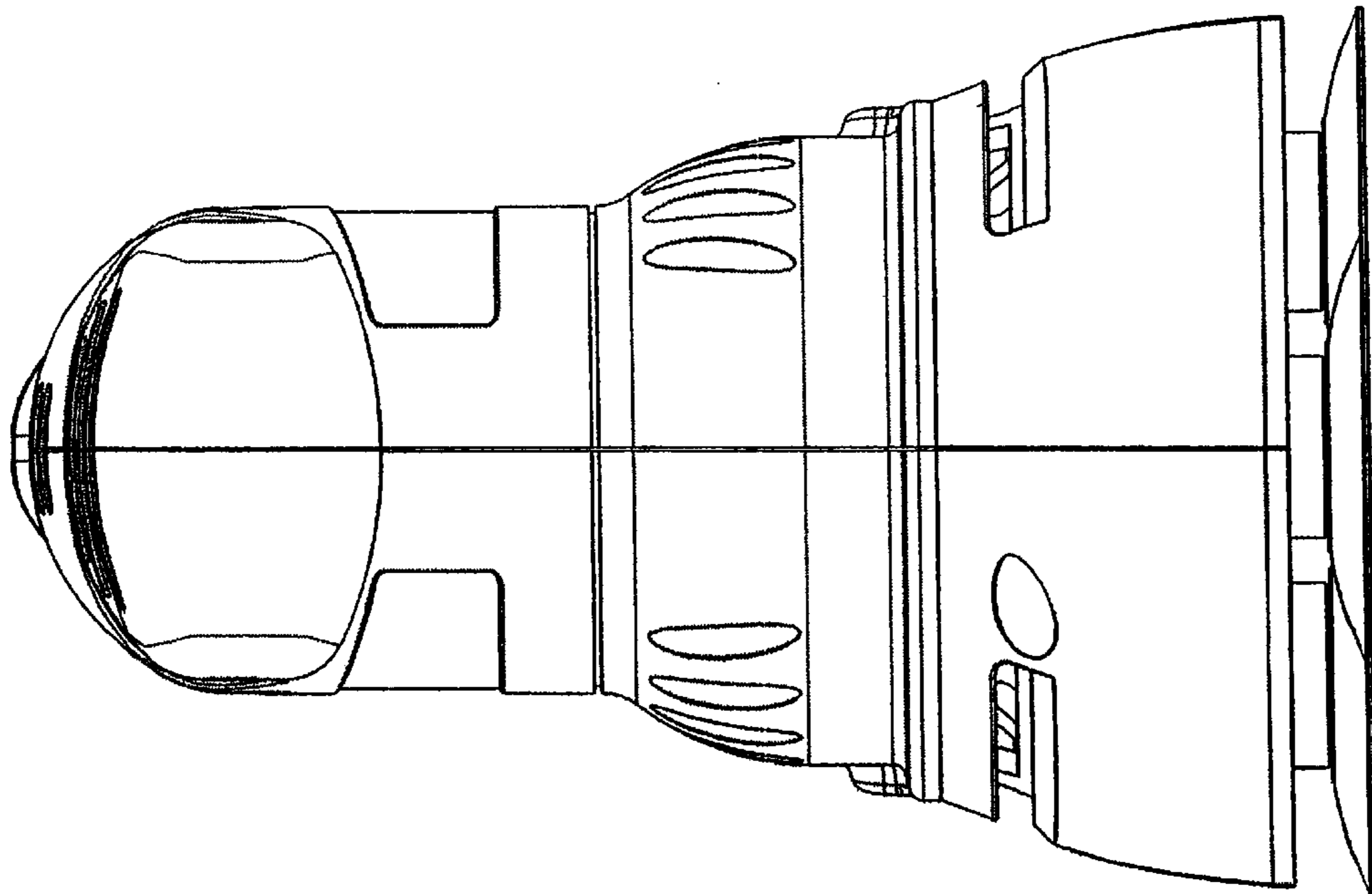


FIG. 5

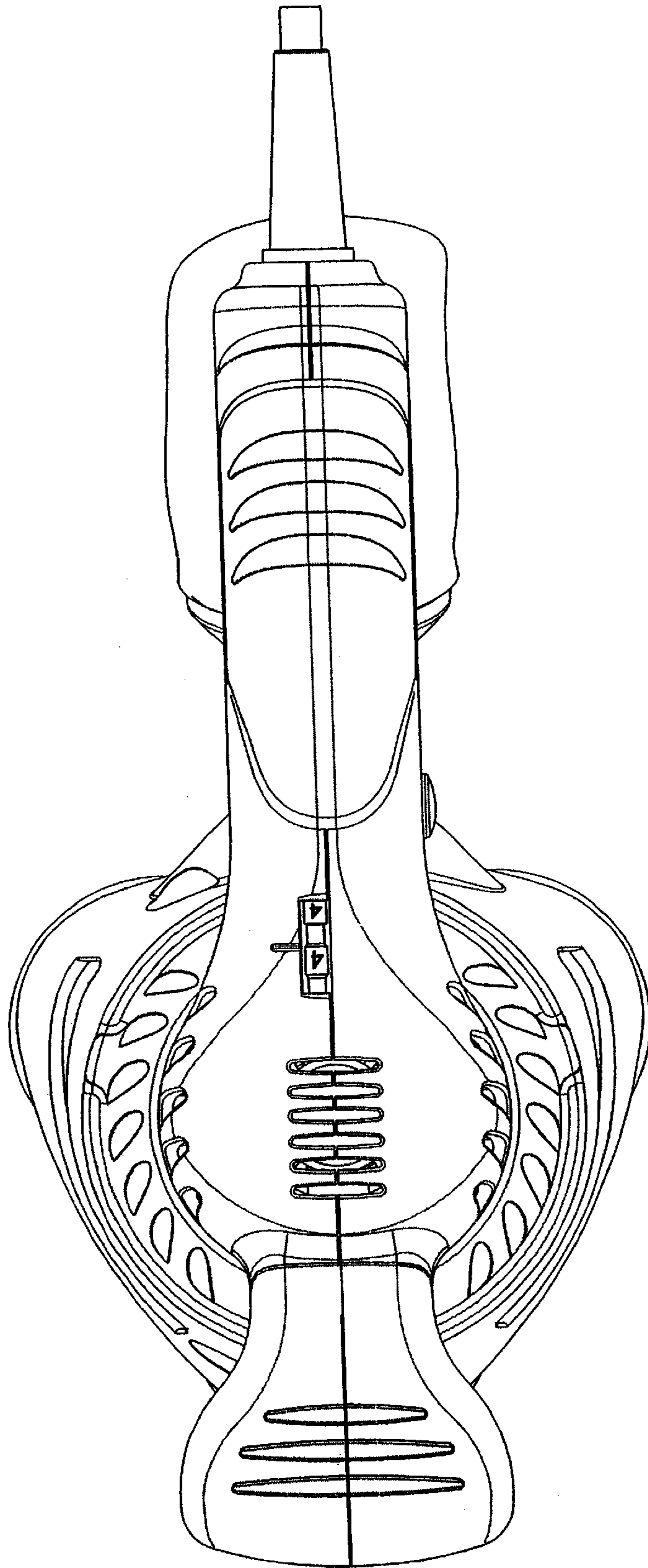


FIG. 7

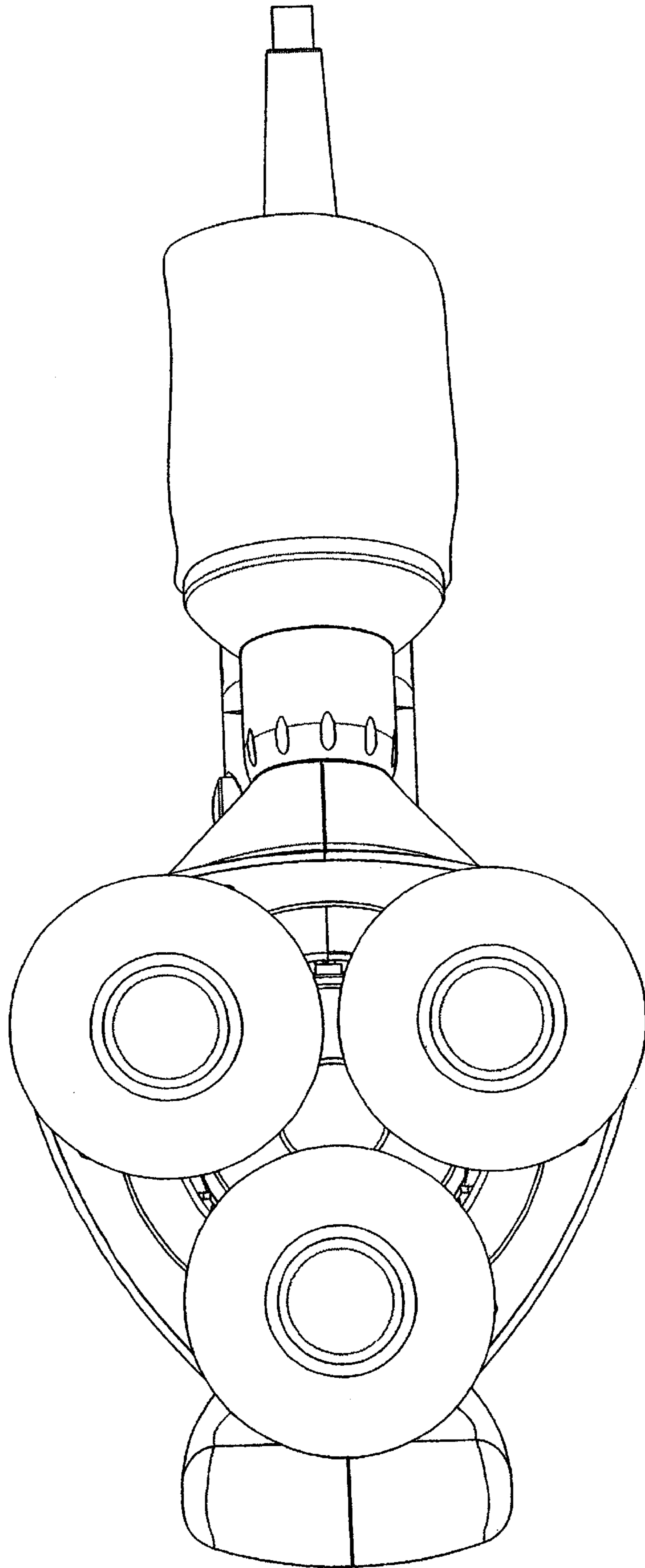


FIG. 8