



US00D526867S

(12) **United States Design Patent**
Wu

(10) **Patent No.:** **US D526,867 S**

(45) **Date of Patent:** **** Aug. 22, 2006**

(54) **SANDER**

(75) Inventor: **Shuming Wu**, Nanjing (CN)

(73) Assignee: **Nanjing Chervon Industry Co., Ltd.**,
Jiangsu (CN)

(**) Term: **14 Years**

(21) Appl. No.: **29/216,981**

(22) Filed: **Nov. 12, 2004**

(30) **Foreign Application Priority Data**

May 13, 2004 (CN) 2004300185607

(51) **LOC (8) Cl.** **08-01**

(52) **U.S. Cl.** **D8/62**

(58) **Field of Classification Search** D8/67,
D8/62, 61; D32/15, 17, 19; D4/102; 451/456,
451/451, 359, 358, 357, 356, 355, 354, 353,
451/351, 344

See application file for complete search history.

(56) **References Cited**

U.S. PATENT DOCUMENTS

D352,437 S * 11/1994 Chunn et al. D8/62
6,514,131 B1 * 2/2003 Reich et al. 451/344
6,857,948 B1 * 2/2005 Bocka et al. 451/356

D503,600 S * 4/2005 Bian D8/62
D507,731 S * 7/2005 Robson D8/62
D509,722 S * 9/2005 Wikle et al. D8/62
2002/0037691 A1 * 3/2002 Mayr et al. 451/356
2004/0002296 A1 * 1/2004 Reich et al. 451/357
2005/0085172 A1 * 4/2005 Gansel et al. 451/356

* cited by examiner

Primary Examiner—Cathron C. Brooks

Assistant Examiner—Austin Murphy

(74) *Attorney, Agent, or Firm*—Lowe Hauptman & Berner,
LLP.

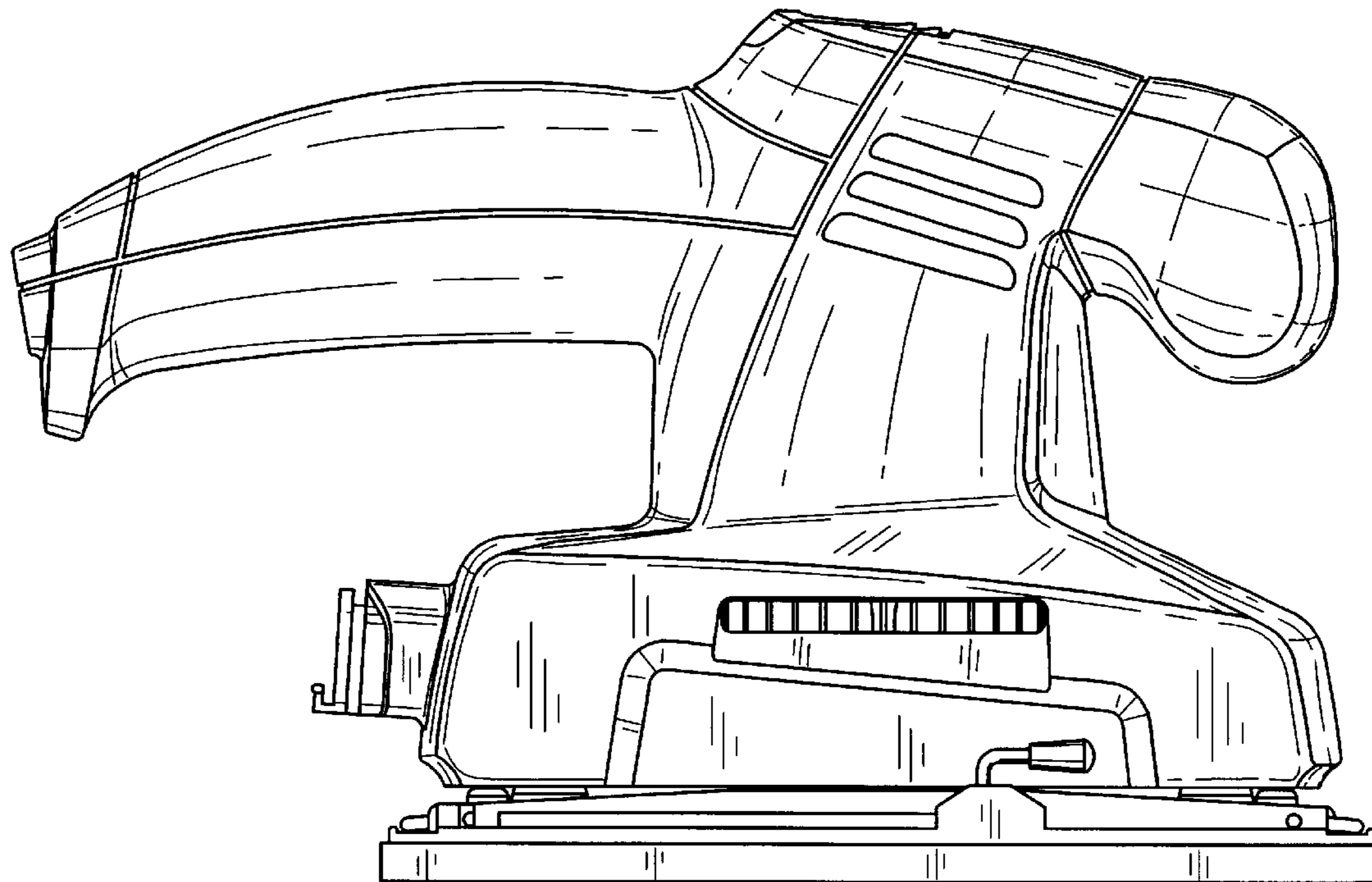
(57) **CLAIM**

The ornamental design for a sander, as shown and described.

DESCRIPTION

FIG. 1 is a front elevational view of the design;
FIG. 2 is a rear elevational view of the sander in FIG. 1;
FIG. 3 is a left side elevational view of the sander in FIG.
1;
FIG. 4 is a right side elevational view of the sander in FIG.
1;
FIG. 5 is a top plan view of the sander in FIG. 1;
FIG. 6 is a bottom plan view of the sander in FIG. 1; and,
FIG. 7 is a perspective view of the sander of FIG. 1.

1 Claim, 6 Drawing Sheets



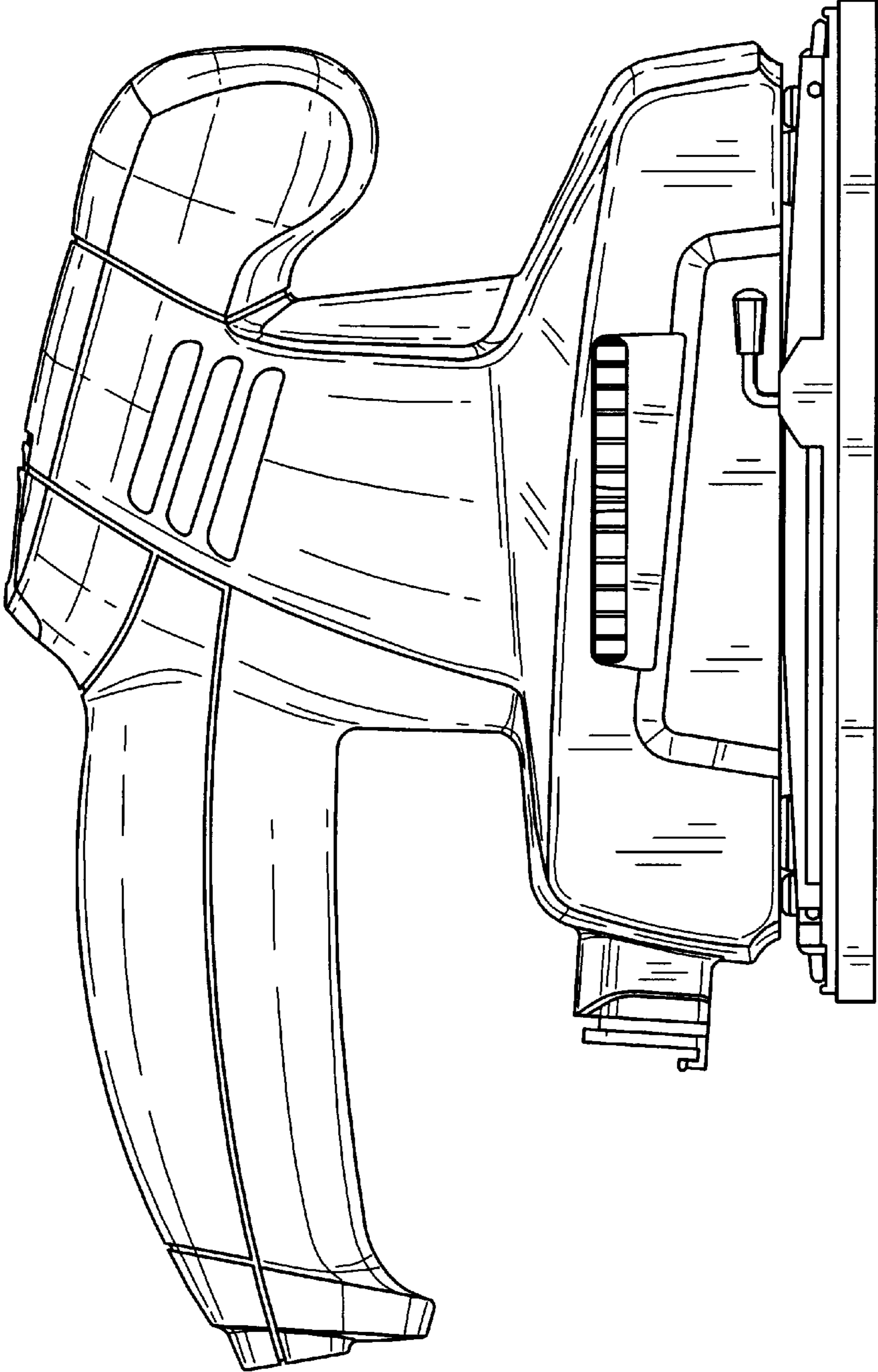


FIG. 1

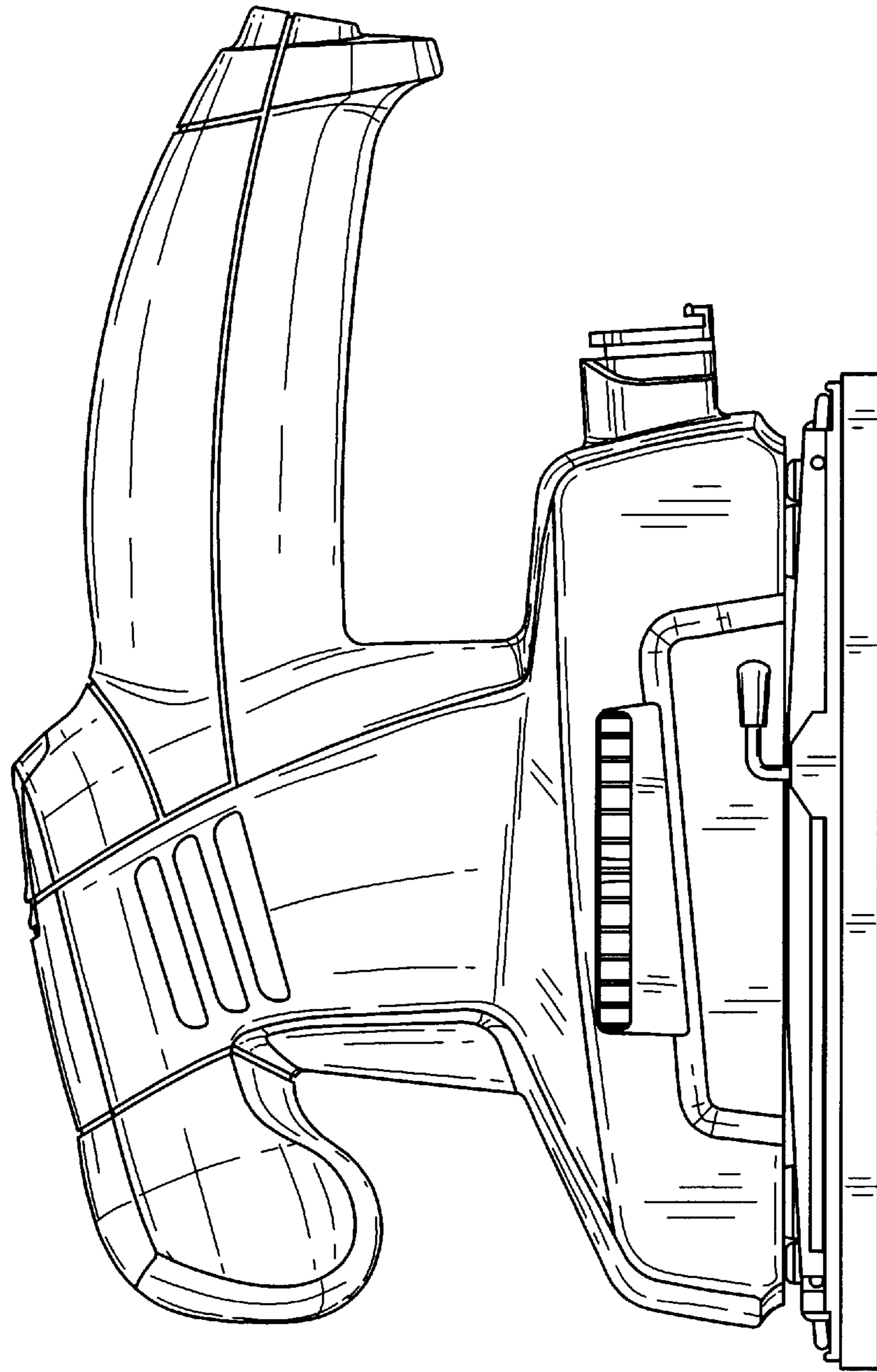


FIG. 2

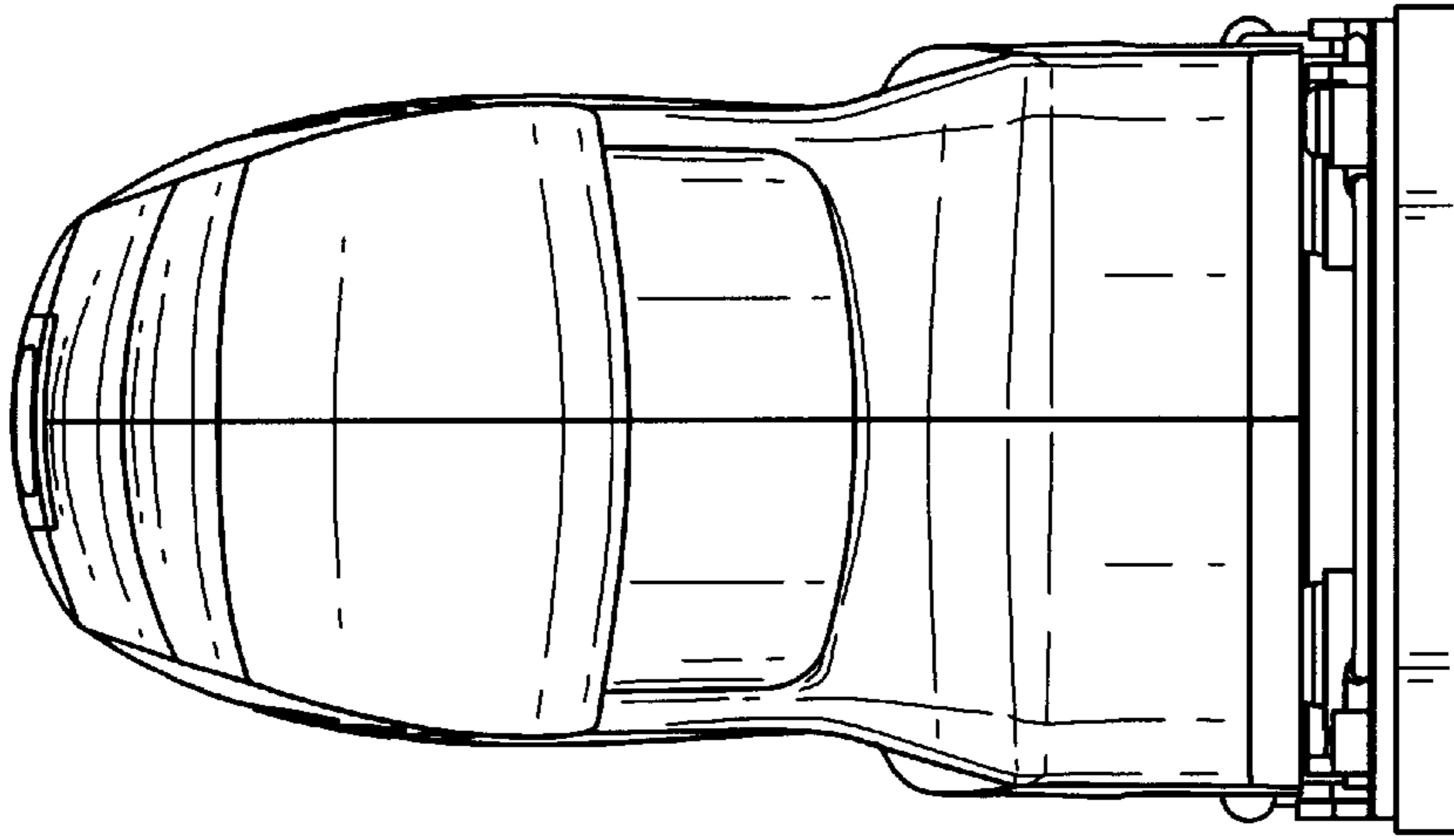


FIG. 4

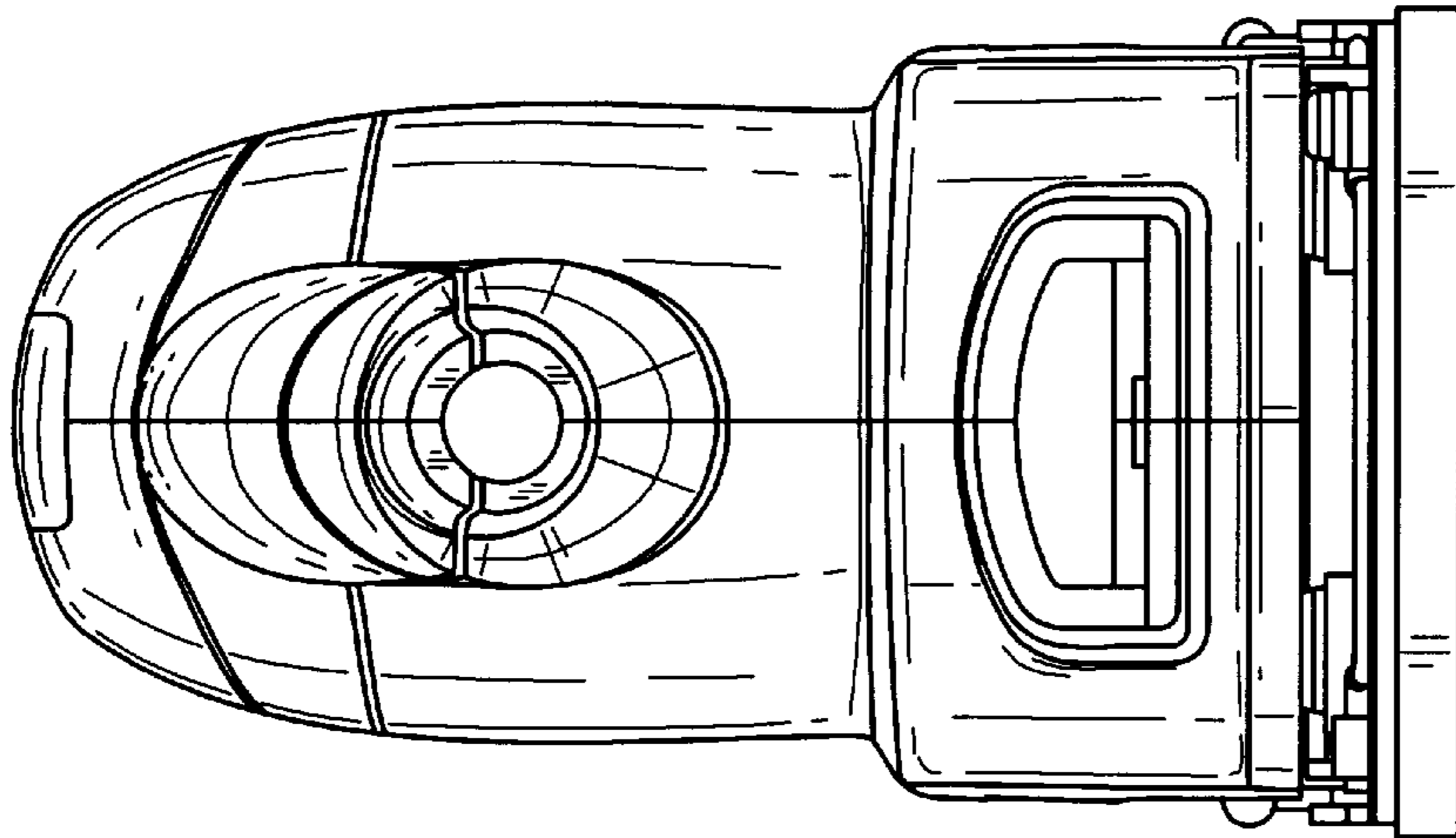


FIG. 3

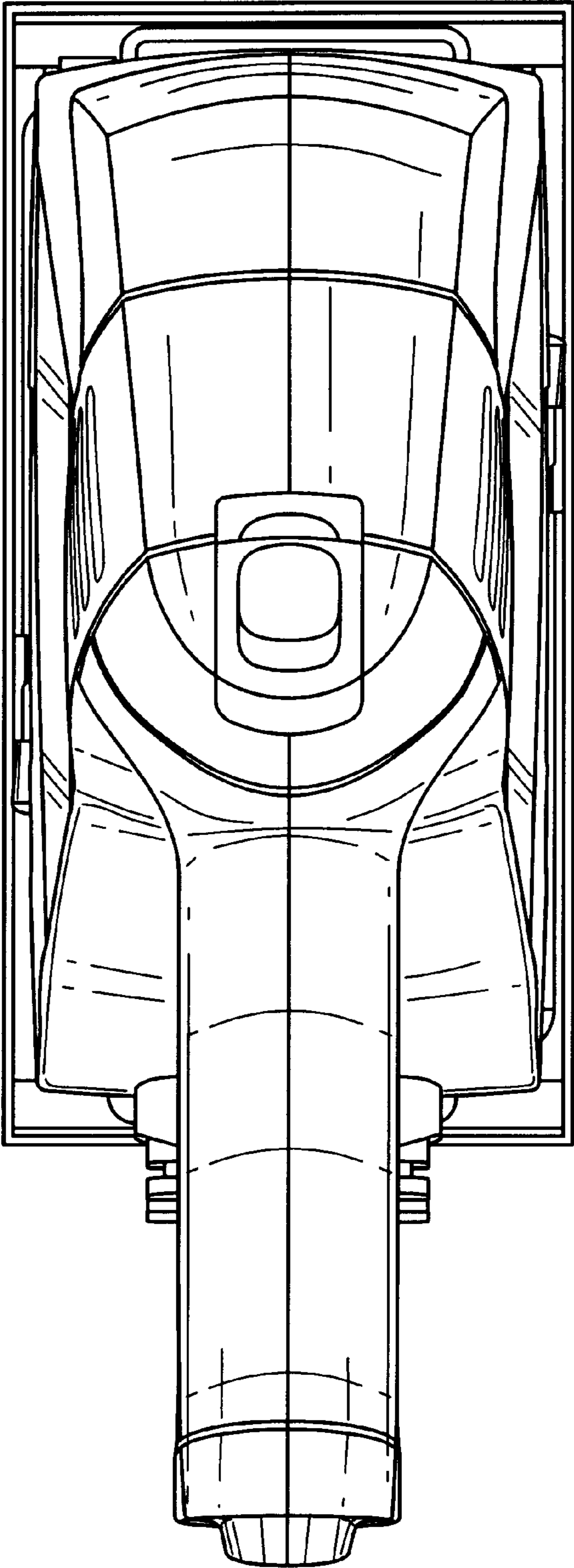


FIG. 5

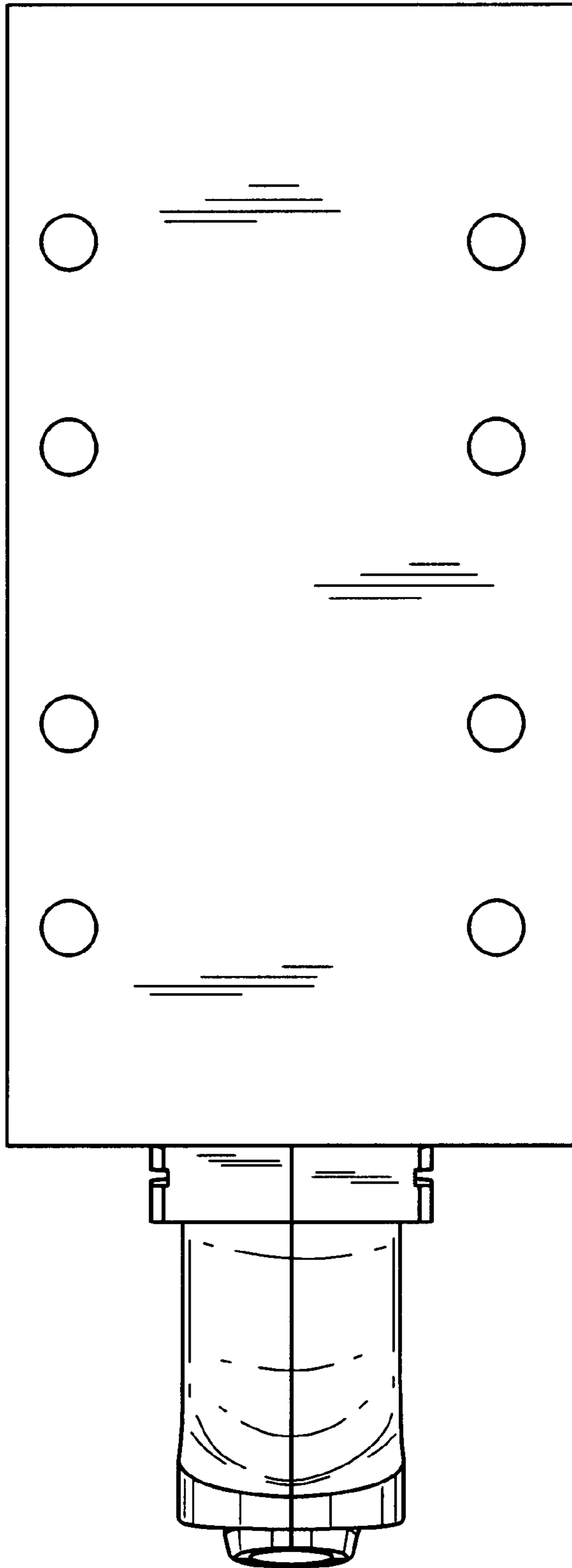


FIG. 6

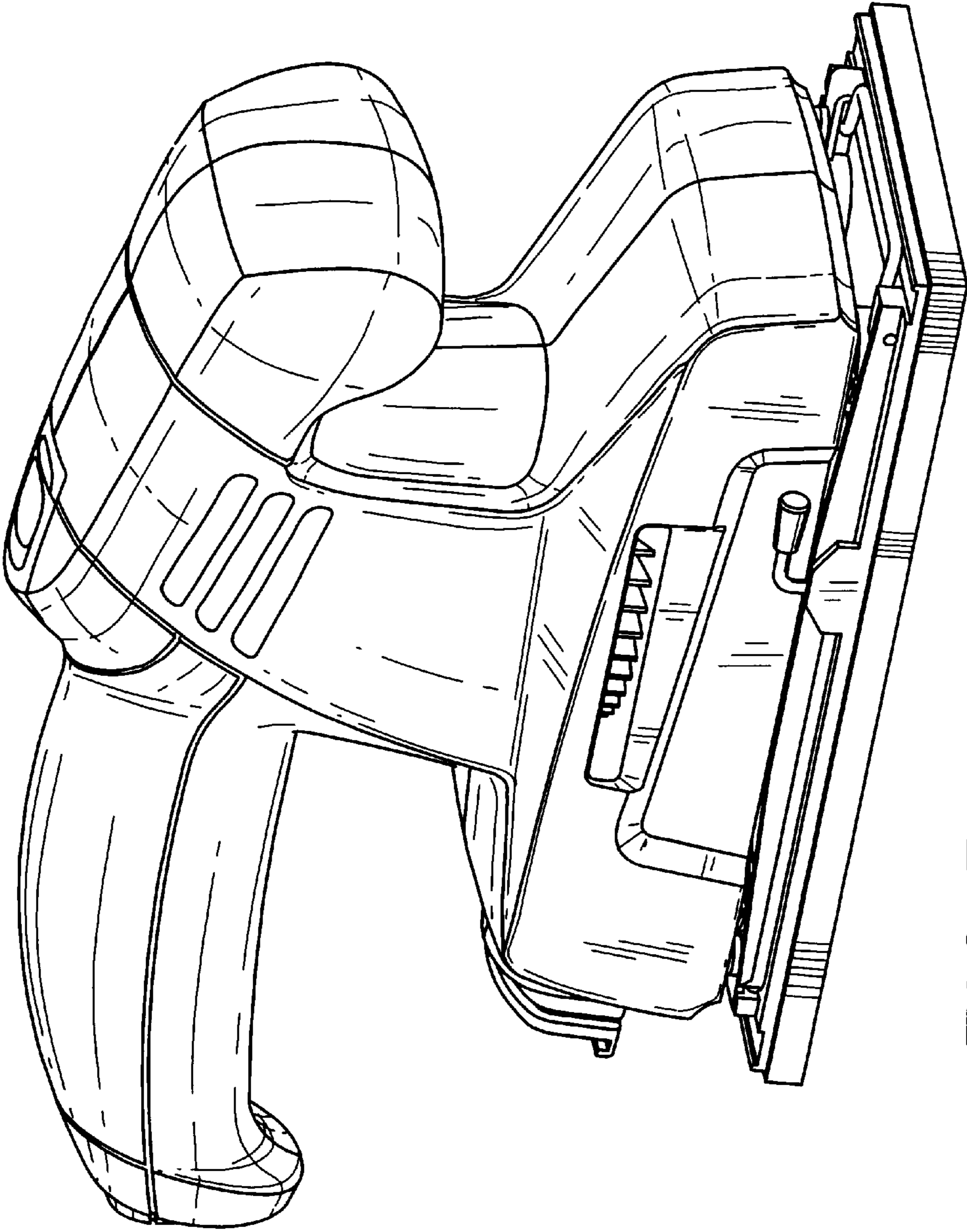


FIG. 7