

US00D526866S

(12) **United States Design Patent**
Bates et al.

(10) **Patent No.:** **US D526,866 S**

(45) **Date of Patent:** **** Aug. 22, 2006**

(54) **CORKSCREW**

6,875,013 B1 * 4/2005 Smith 131/248

(75) Inventors: **Mathew M. Bates**, Bantry (IE);
Diarmuid O. McMahon, Dublin (IE)

* cited by examiner

(73) Assignee: **Le Creuset, S.A.**, Fresnoy-le Grand (FR)

Primary Examiner—Caron D. Veynar
Assistant Examiner—Garth Rademaker
(74) *Attorney, Agent, or Firm*—Gary L. Bush, Esq.;
Andrews Kurth LLP

(**) Term: **14 Years**

(57) **CLAIM**

(21) Appl. No.: **29/201,620**

The ornamental design of a corkscrew, as shown and described.

(22) Filed: **Mar. 17, 2004**

(51) **LOC (8) Cl.** **07-06**

(52) **U.S. Cl.** **D8/42**

(58) **Field of Classification Search** D8/33–43,
D8/105; D7/665, 666, 680, 683–687; D27/195;
7/113, 151–155; 30/113.1, 113.2, 113.3; 81/3.29,
81/3.45, 3.48, 3.49; 131/248

See application file for complete search history.

DESCRIPTION

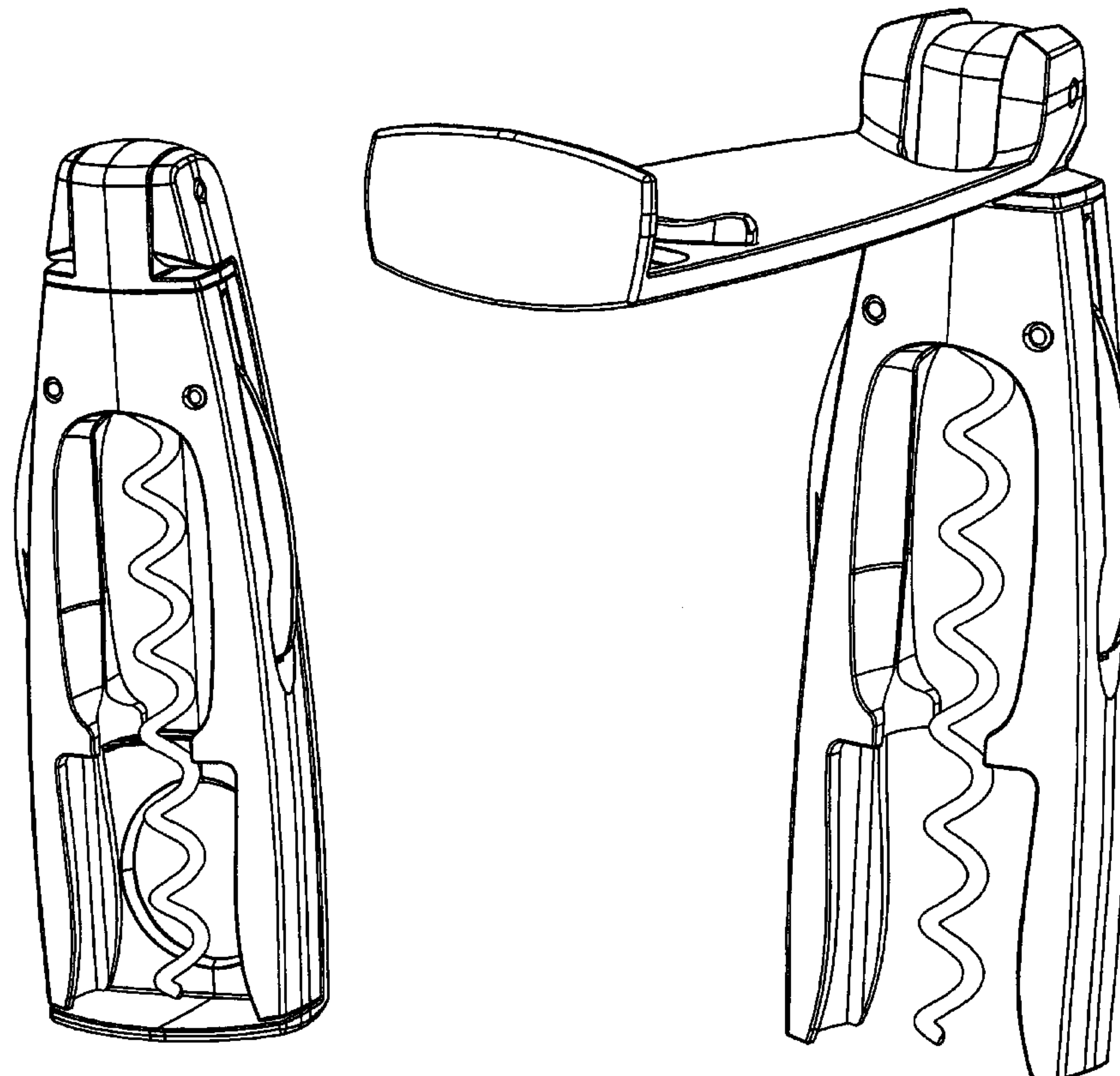
FIG. 1 is a front perspective view of a corkscrew showing our new design;
FIG. 2 is a rear perspective view thereof;
FIG. 3 is a front perspective view thereof in an alternate configuration;
FIG. 4 is a rear perspective view thereof in the same alternate configuration;
FIG. 5 is a bottom plan view thereof;
FIG. 6 is a rear elevation view thereof;
FIG. 7 is a right side elevation view thereof;
FIG. 8 is a front elevation view thereof;
FIG. 9 is a left side elevation view thereof;
FIG. 10 is a left side elevation view thereof in the same alternate configuration; and,
FIG. 11 is a right side elevation view thereof in the same alternate configuration.

(56) **References Cited**

U.S. PATENT DOCUMENTS

D359,213 S	*	6/1995	Entwistle	D8/42
D364,324 S	*	11/1995	Entwistle	D8/42
D397,010 S	*	8/1998	Usbeck	D8/42
D429,981 S	*	8/2000	So	D8/42
D455,622 S	*	4/2002	Tse	D8/42
D471,778 S	*	3/2003	Federighi	D8/42
D498,651 S	*	11/2004	Bates et al.	D8/42
D502,069 S	*	2/2005	Bates et al.	D8/42

1 Claim, 7 Drawing Sheets



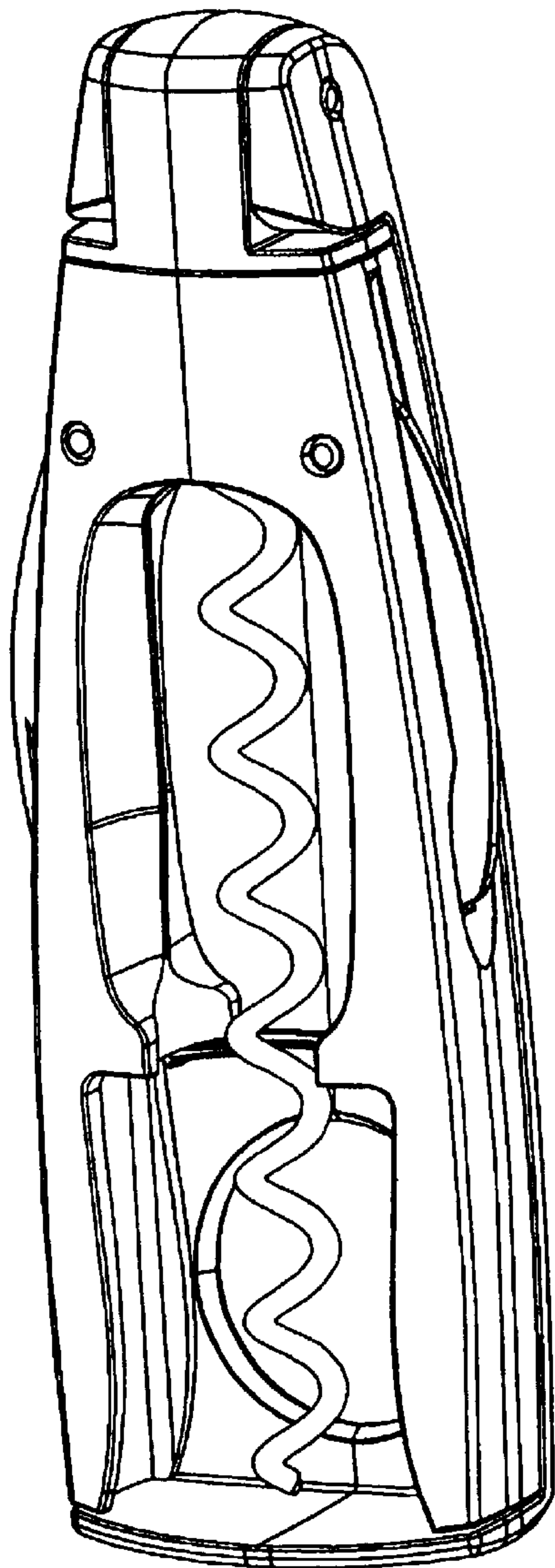


Figure 1

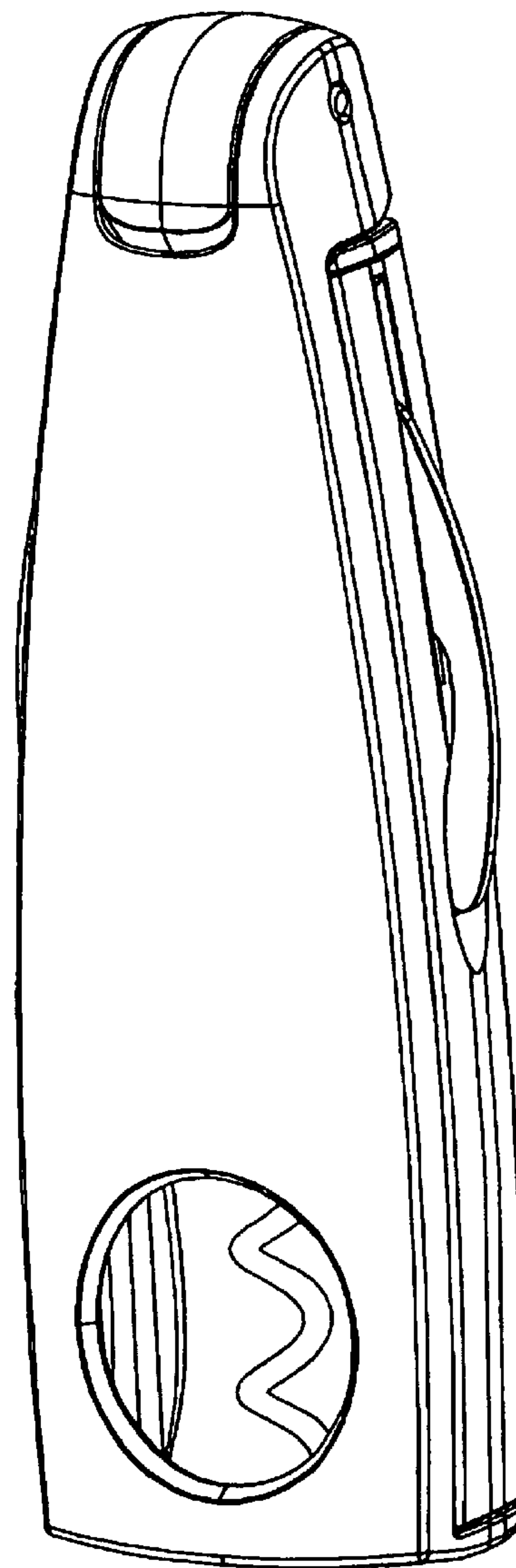


Figure 2

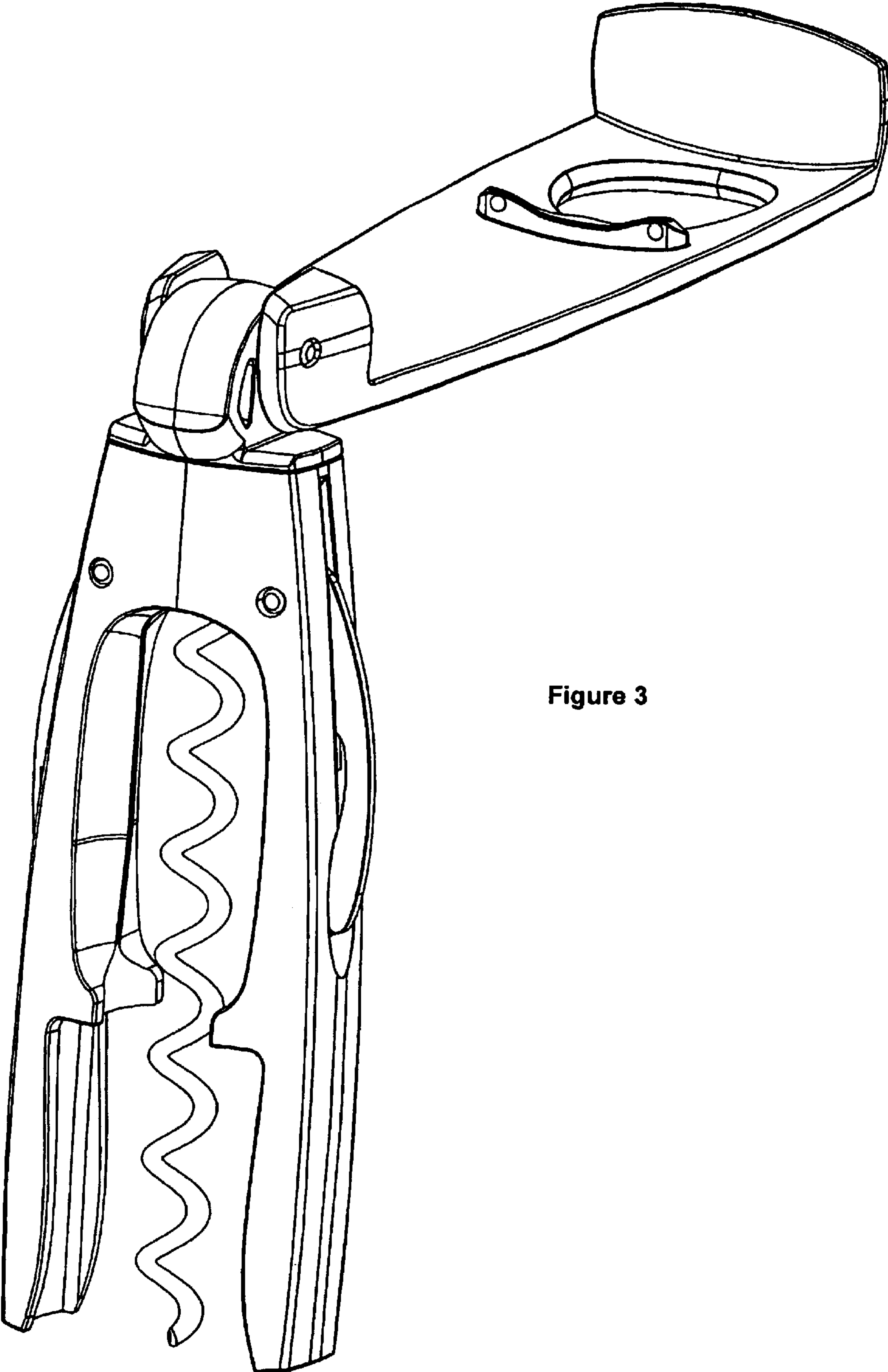


Figure 3

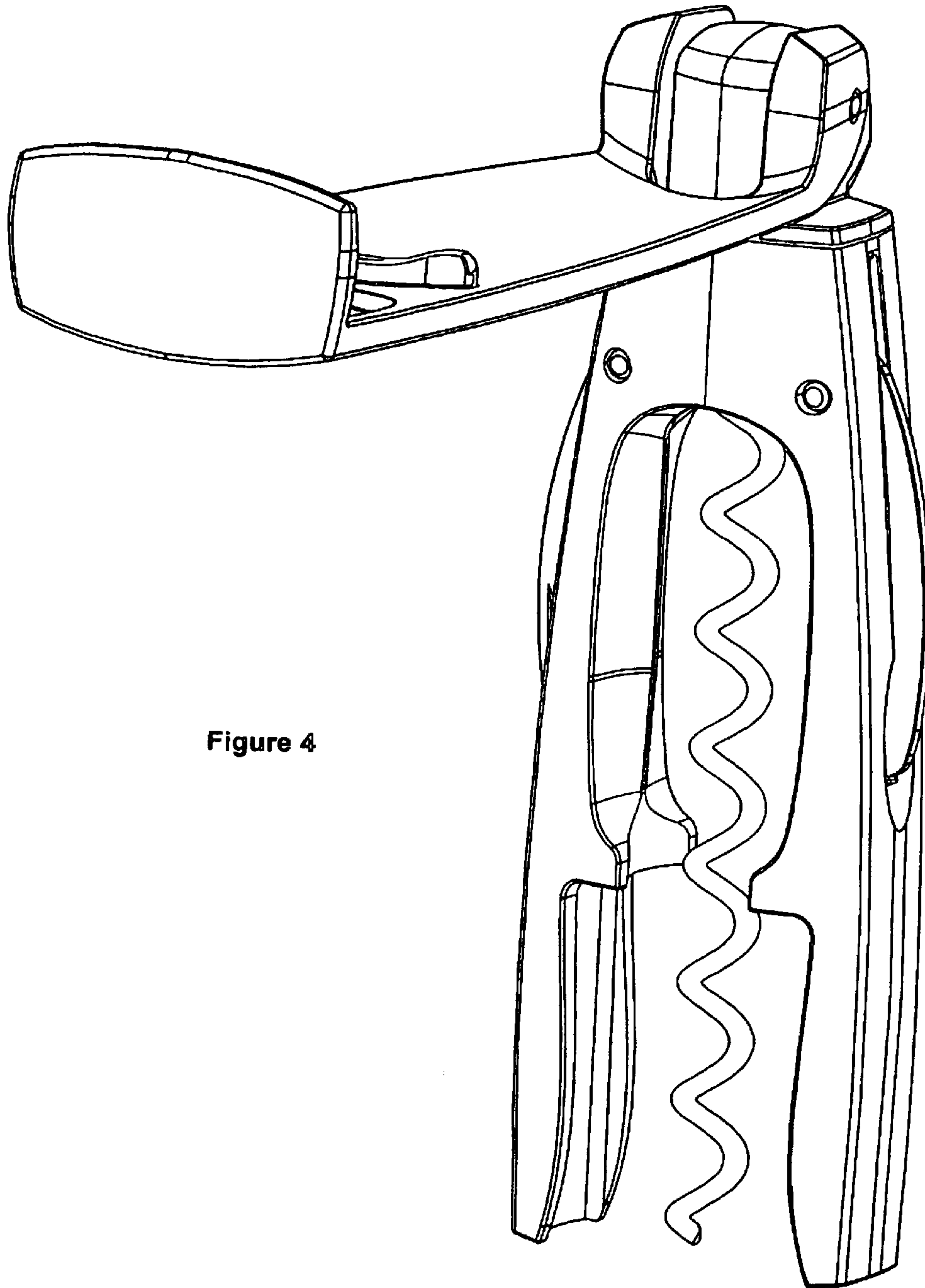


Figure 4

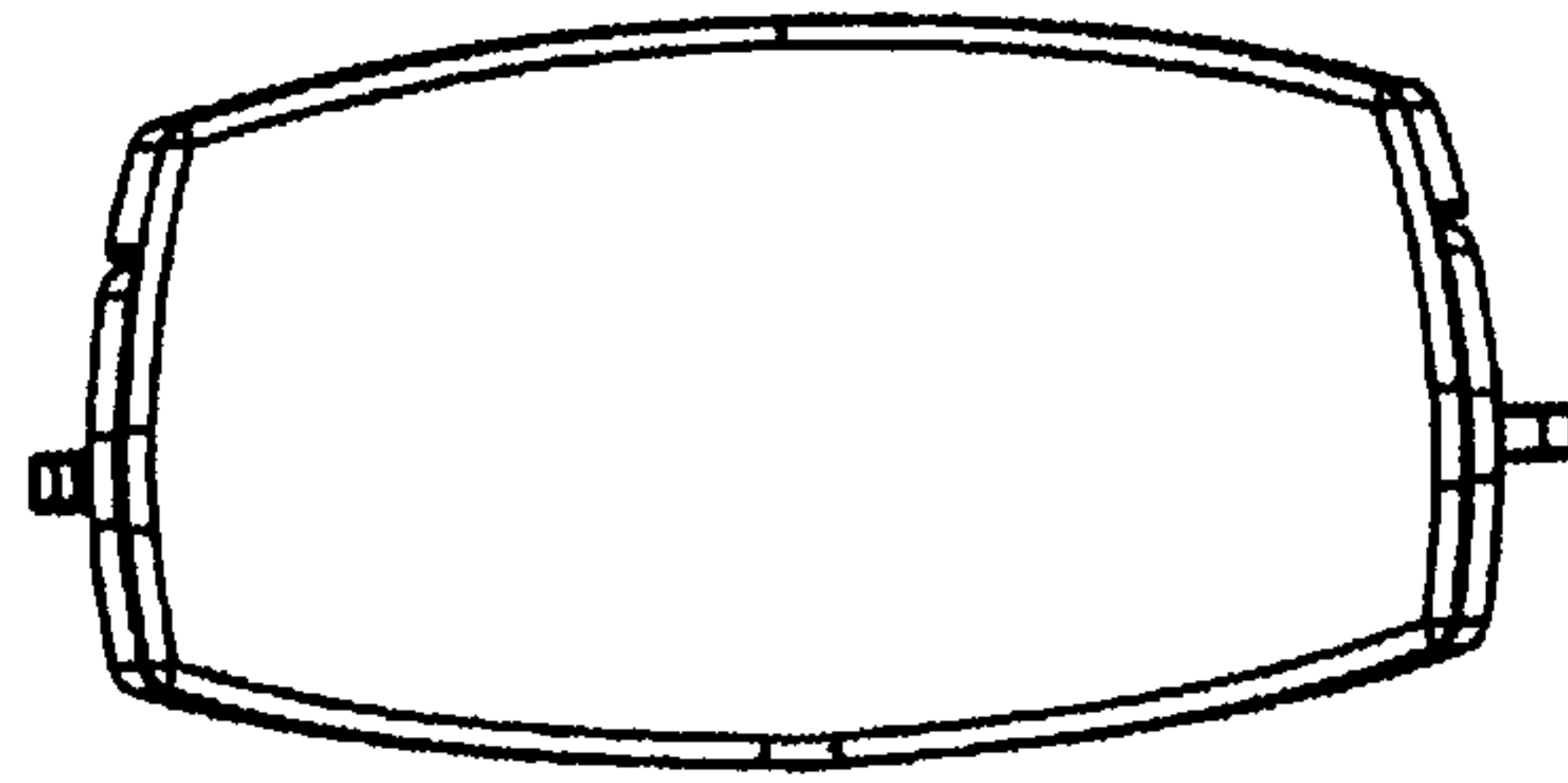


Figure 5

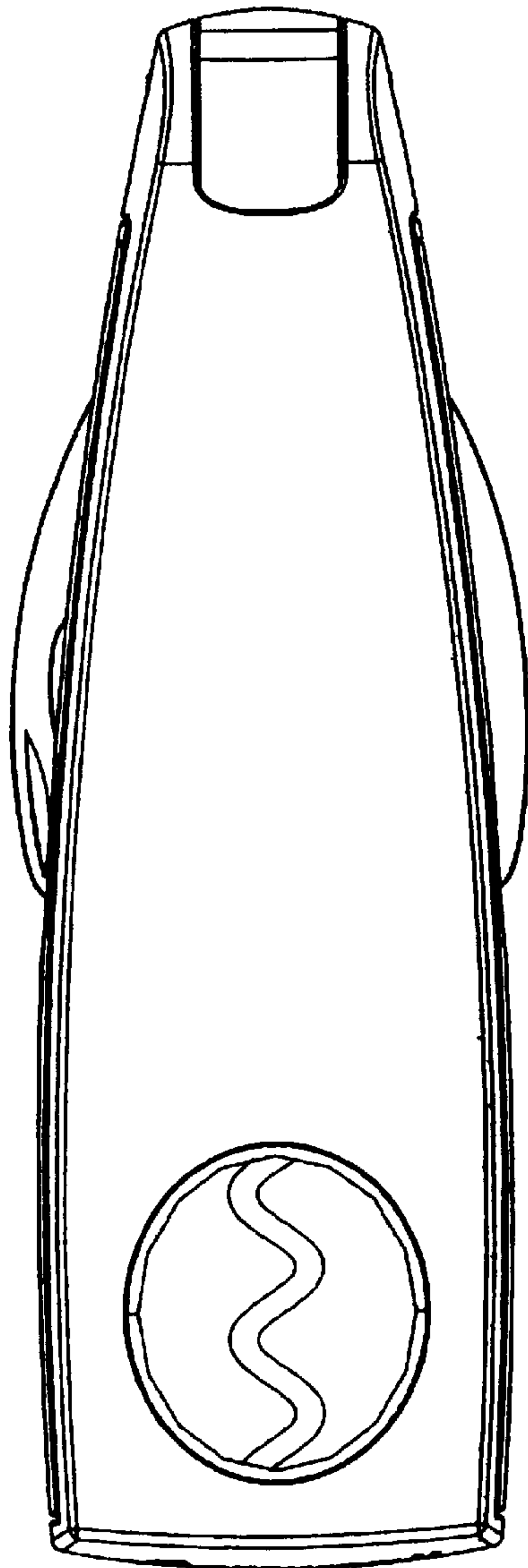


Figure 6

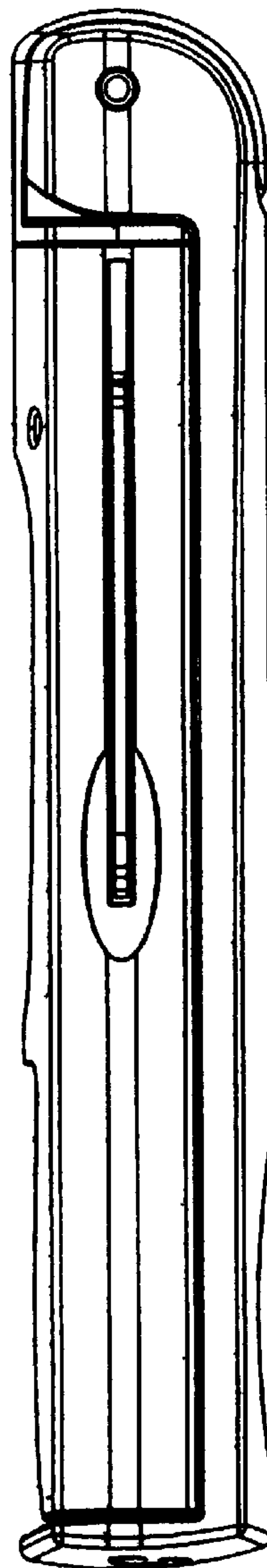


Figure 7

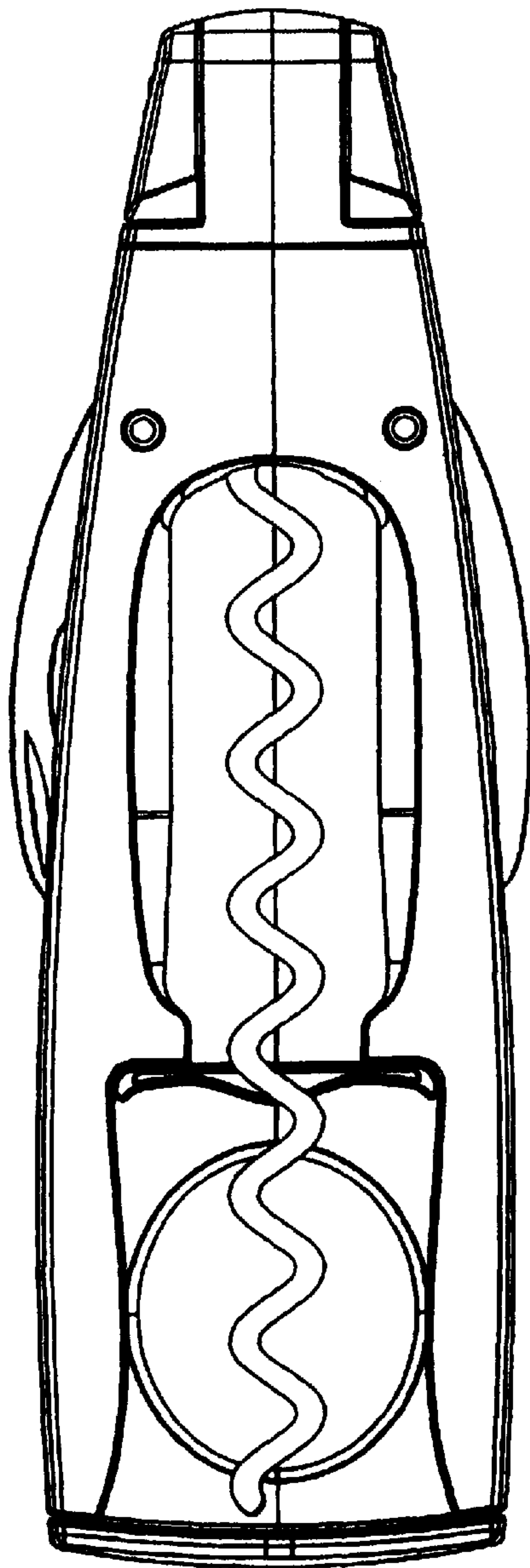


Figure 8

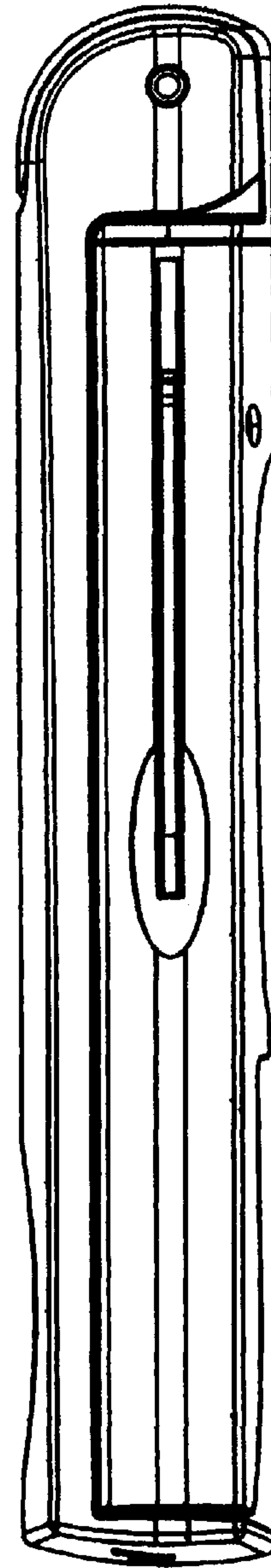


Figure 9

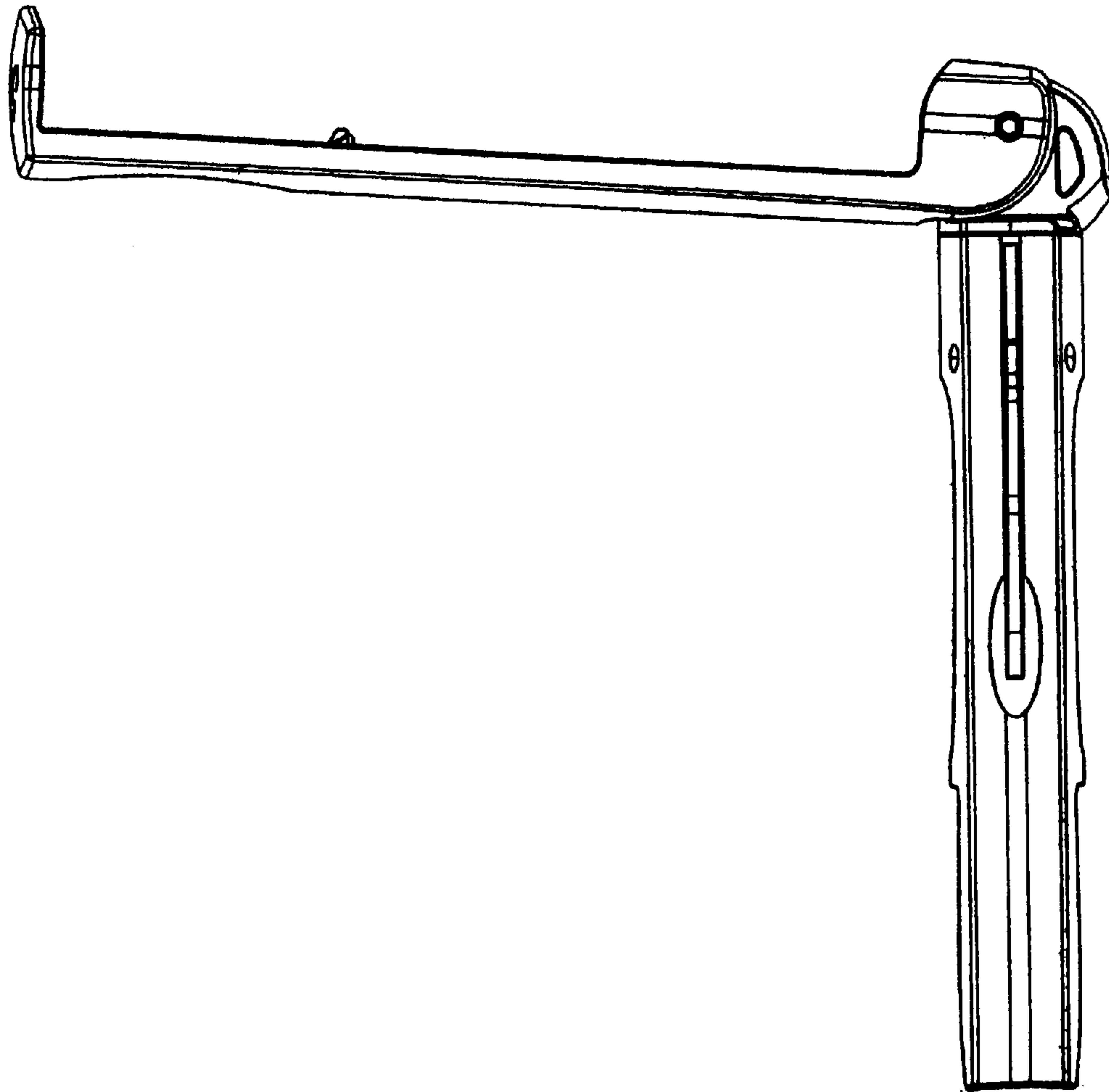


Figure 10

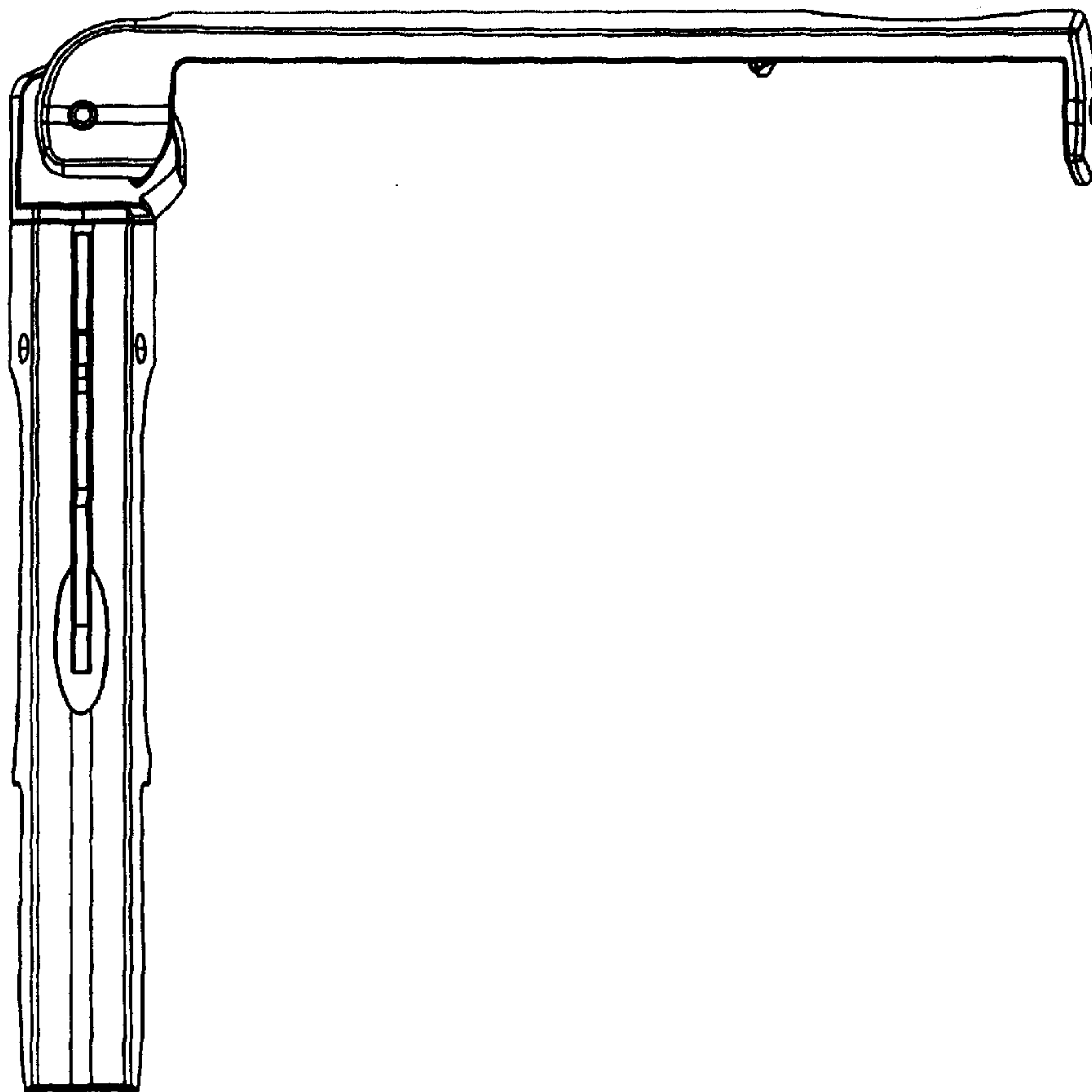


Figure 11