



US00D526852S

(12) **United States Design Patent**
Littlejohn et al.

(10) **Patent No.:** **US D526,852 S**

(45) **Date of Patent:** **** Aug. 22, 2006**

(54) **ROUND PLATE WITH CONCENTRIC COMPARTMENT AND TWO SIDE COMPARTMENTS**

(75) Inventors: **Mark B. Littlejohn**, Appleton, WI (US); **Steve Chalson**, Marietta, GA (US); **Dianne Robbins**, Toronto (CA)

(73) Assignee: **Fort James Corporation**, Atlanta, GA (US)

(**) Term: **14 Years**

(21) Appl. No.: **29/223,623**

(22) Filed: **Feb. 15, 2005**

(51) **LOC (8) Cl.** **07-01**

(52) **U.S. Cl.** **D7/553.6**

(58) **Field of Classification Search** D7/584, D7/586, 587, 500, 545-549, 566, 570, 553.6, D7/602, 430; 220/574, 575, 605, 606; 206/518, 206/520, 575, 217; D9/697

See application file for complete search history.

(56) **References Cited**

U.S. PATENT DOCUMENTS

196,005	A	*	10/1877	Gardner	D7/584
D201,760	S	*	7/1965	Arnold	D7/553.8
D225,431	S	*	12/1972	Gulotta	D7/586
D237,344	S	*	10/1975	Whitten	D7/553.6
5,234,125	A	*	8/1993	Roberts	220/574
D339,030	S	*	9/1993	Bitel, Sr.	D7/549
5,727,678	A	*	3/1998	Chen	220/574
D418,018	S	*	12/1999	Winsted	D7/553.8

D434,605	S	12/2000	Littlejohn et al.	D7/546
D437,527	S	2/2001	Littlejohn et al.	D7/554.2
D445,303	S	7/2001	Littlejohn et al.	D7/586
D445,304	S	7/2001	Littlejohn et al.	D7/586
D450,221	S	11/2001	Littlejohn et al.	D7/586
6,415,944	B1	* 7/2002	Toussant	220/574
6,715,630	B1	4/2004	Littlejohn et al.	220/573
6,733,852	B1	5/2004	Littlejohn et al.	428/35.7
D494,420	S	* 8/2004	Wellner	D7/587
D511,273	S	* 11/2005	Hadeler	D7/553.6
D516,867	S	* 3/2006	Martin et al.	D7/586
2005/0218144	A1	* 10/2005	Price	220/574

* cited by examiner

Primary Examiner—Charles A. Rademaker

(74) *Attorney, Agent, or Firm*—Georgia-Pacific Corp.; Jacqueline M. Hutter

(57) **CLAIM**

The ornamental design for a round plate with concentric compartment and two side compartments, as shown and described.

DESCRIPTION

FIG. 1 is a perspective view of a round plate with concentric compartment and two side compartments showing our new design;

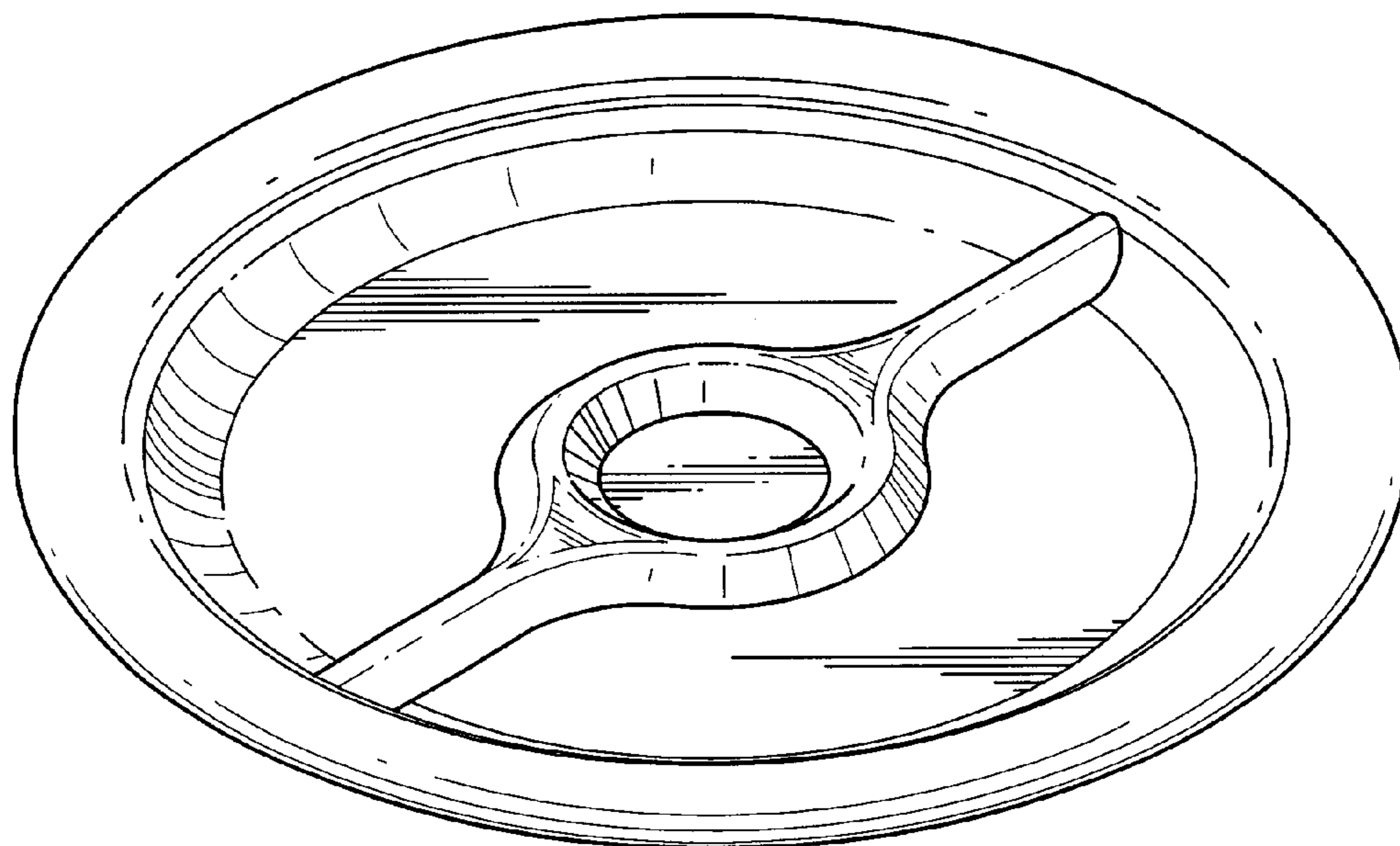
FIG. 2 is a top plan view thereof;

FIG. 3 is a side elevation thereof;

FIG. 4 is a cross-sectional view thereof taken along line 4—4 of FIG. 2; and,

FIG. 5 is a partial cross-sectional view thereof taken along line 5—5 of FIG. 2 and drawn on a slightly enlarged scale.

1 Claim, 3 Drawing Sheets



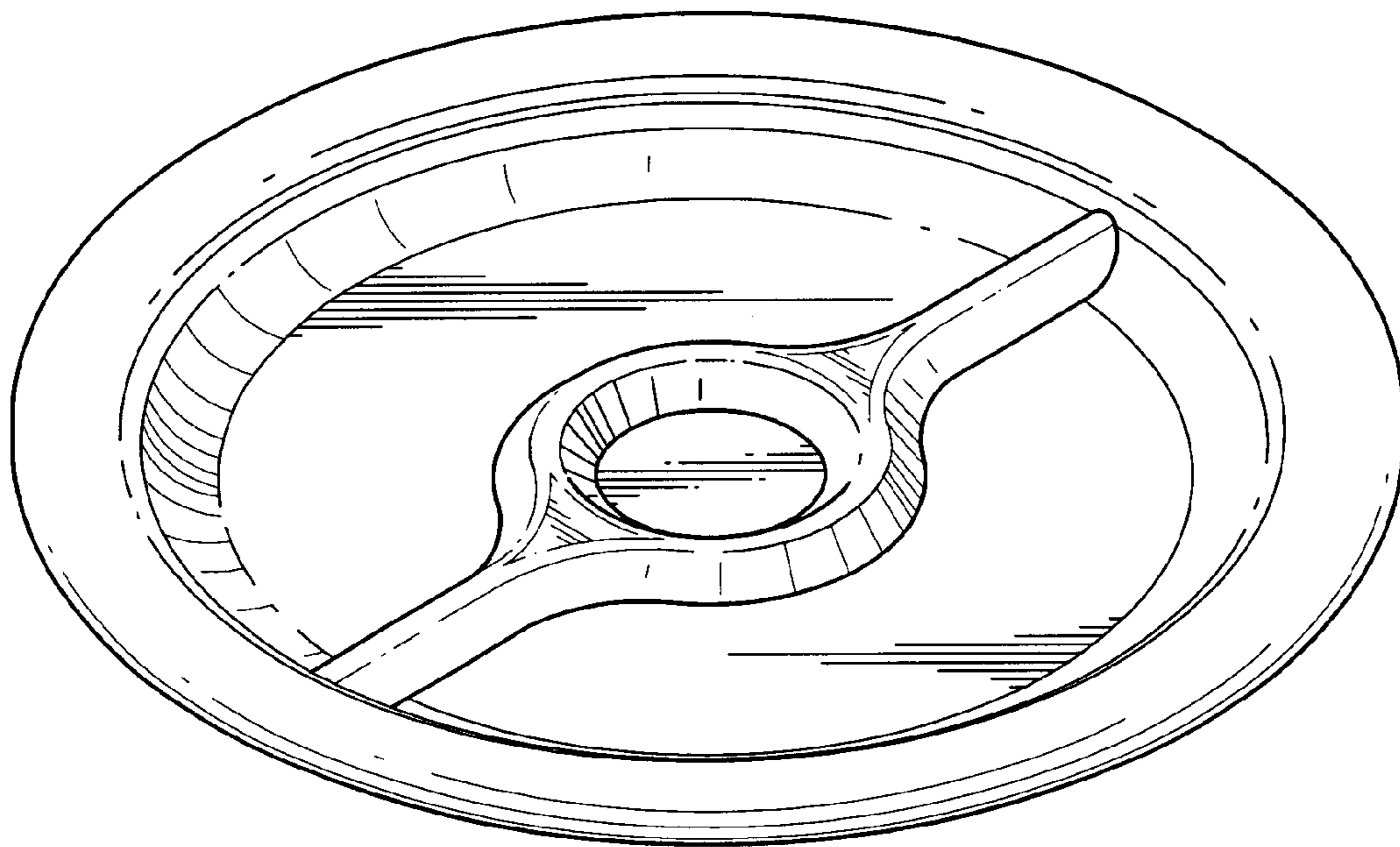


FIG. 1

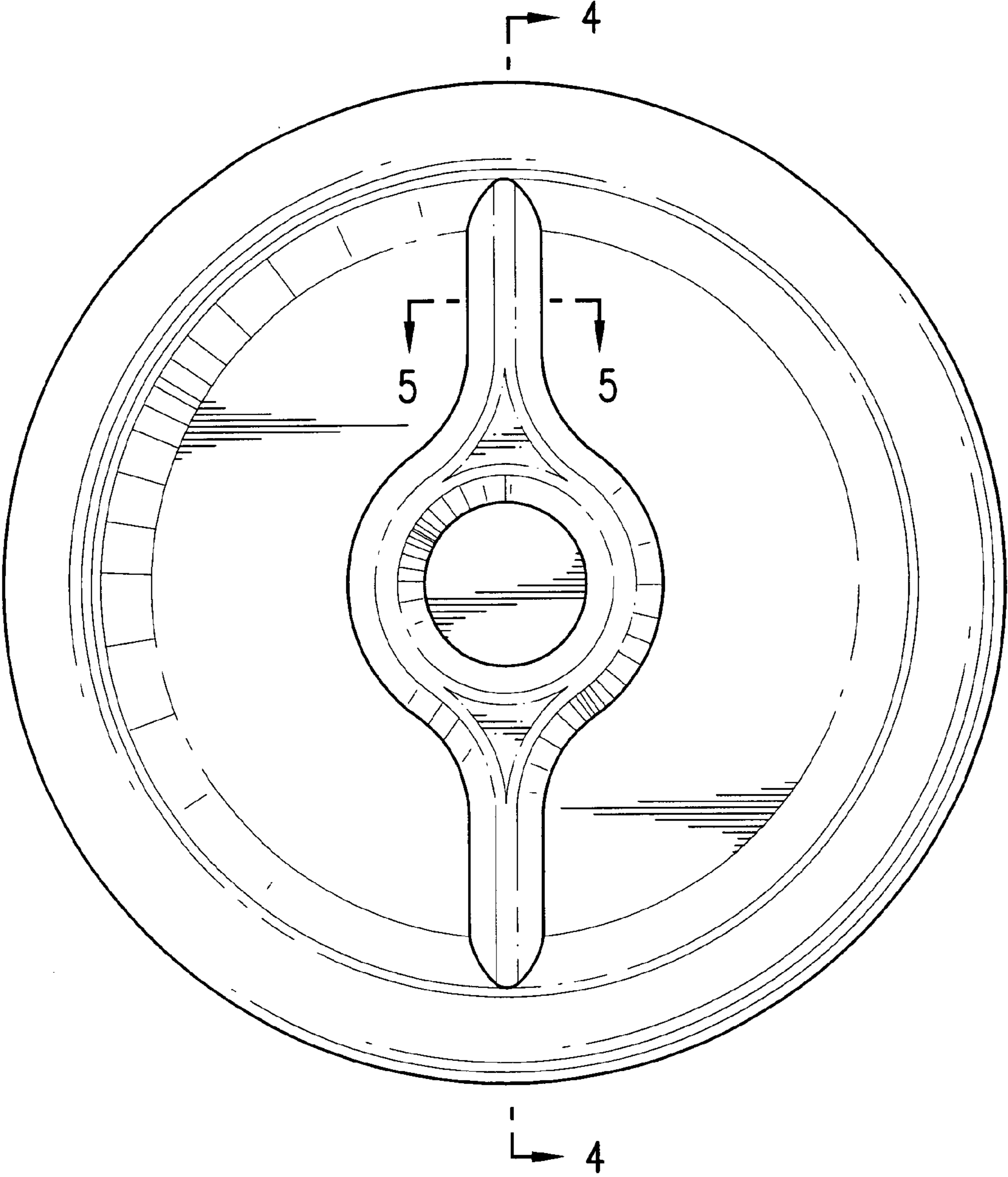


FIG. 2

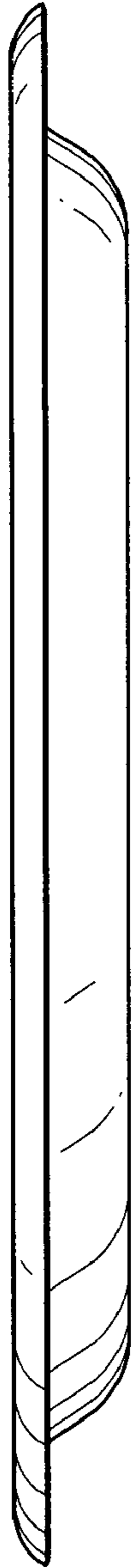


FIG. 3

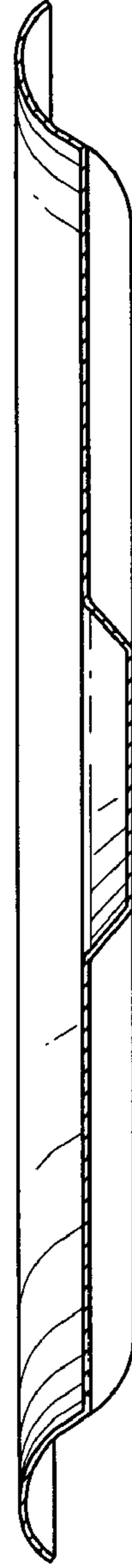


FIG. 4

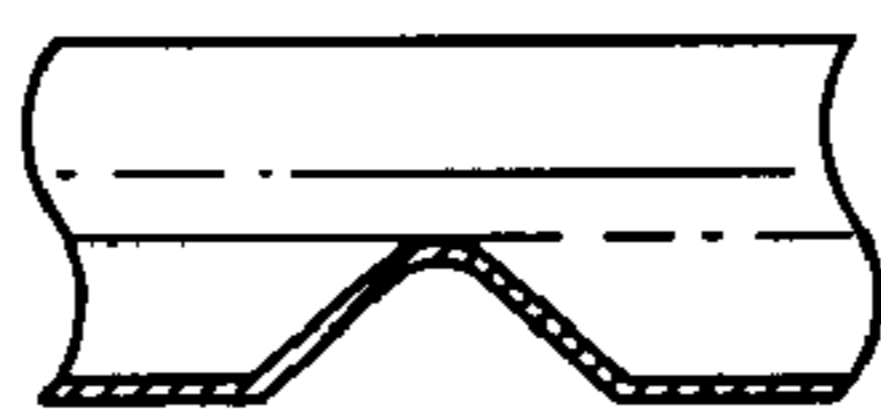


FIG. 5