



US00D526851S

(12) **United States Design Patent** (10) **Patent No.:** **US D526,851 S**  
**Groff et al.** (45) **Date of Patent:** **\*\* Aug. 22, 2006**

(54) **TRAY FOR RAILING ATTACHMENT DEVICE**

(75) Inventors: **Malcolm K. Groff**, Orwigsburg, PA (US); **Yeu-Tien Yu**, Shin Dain (TW)

(73) Assignee: **LTL Wholesale, Inc.**, Schuylkill Haven, PA (US)

(\*\*) Term: **14 Years**

(21) Appl. No.: **29/223,416**

(22) Filed: **Feb. 14, 2005**

**Related U.S. Application Data**

(63) Continuation of application No. 10/922,596, filed on Aug. 20, 2004.

(51) **LOC (8) Cl.** ..... **07-01**

(52) **U.S. Cl.** ..... **D7/552.1; D7/554.3**

(58) **Field of Classification Search** ..... D7/552.1, D7/550, 554.3, 587, 540; 229/190; 294/172; 206/557; 220/574, 575, 574.3, 495.01, 406  
See application file for complete search history.

(56) **References Cited**

**U.S. PATENT DOCUMENTS**

1,655,735 A \* 1/1928 Meinecke ..... 294/172  
D171,324 S \* 1/1954 de Puy ..... D7/549  
D181,154 S \* 10/1957 Klein ..... D7/554.3  
2,814,427 A \* 11/1957 Emery ..... 229/406  
3,752,386 A \* 8/1973 Froehlig ..... 229/190  
D262,104 S \* 12/1981 Simpson ..... D7/554.3

D391,687 S \* 3/1998 McMahon ..... D30/118  
D451,347 S \* 12/2001 Kleckauskas et al. .... D7/552.1  
D472,767 S \* 4/2003 Gebhardt et al. .... D7/552.1  
D489,226 S \* 5/2004 De Neubourg ..... D7/554.3  
6,814,235 B1 \* 11/2004 Wang ..... 206/557  
2003/0106829 A1 \* 6/2003 Costello ..... 206/557  
2004/0256280 A1 \* 12/2004 Meissen et al. .... 206/557

**FOREIGN PATENT DOCUMENTS**

GB 2047262 \* 2/1995

\* cited by examiner

*Primary Examiner*—Charles A. Rademaker

(74) *Attorney, Agent, or Firm*—Frank A. Mazzeo, P.C.; Frank A. Mazzeo

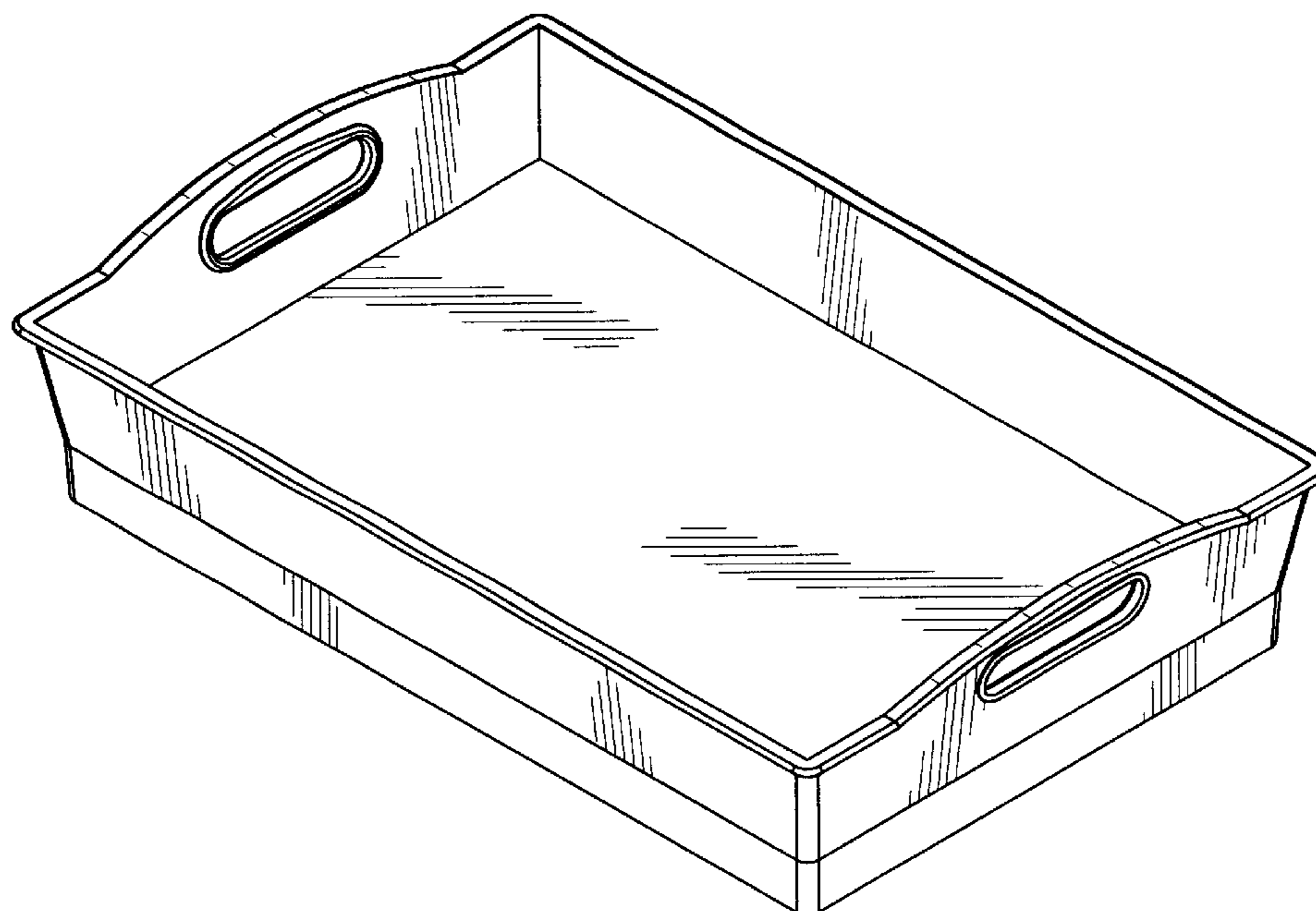
(57) **CLAIM**

The ornamental design for a tray for railing attachment device, as shown and described.

**DESCRIPTION**

FIG. 1 is a top perspective view of a tray for railing attachment device showing our new design; FIG. 2 is a bottom perspective view thereof; FIG. 3 is a front elevation thereof, the side opposite being a mirror image; FIG. 4 is a right side elevation thereof, the side opposite being a mirror image; and, FIG. 5 is a top plan view thereof; and, FIG. 6 is a bottom plan view thereof. The broken line showing of environment is for illustrative purposes only and forms no part of the claimed design.

**1 Claim, 4 Drawing Sheets**



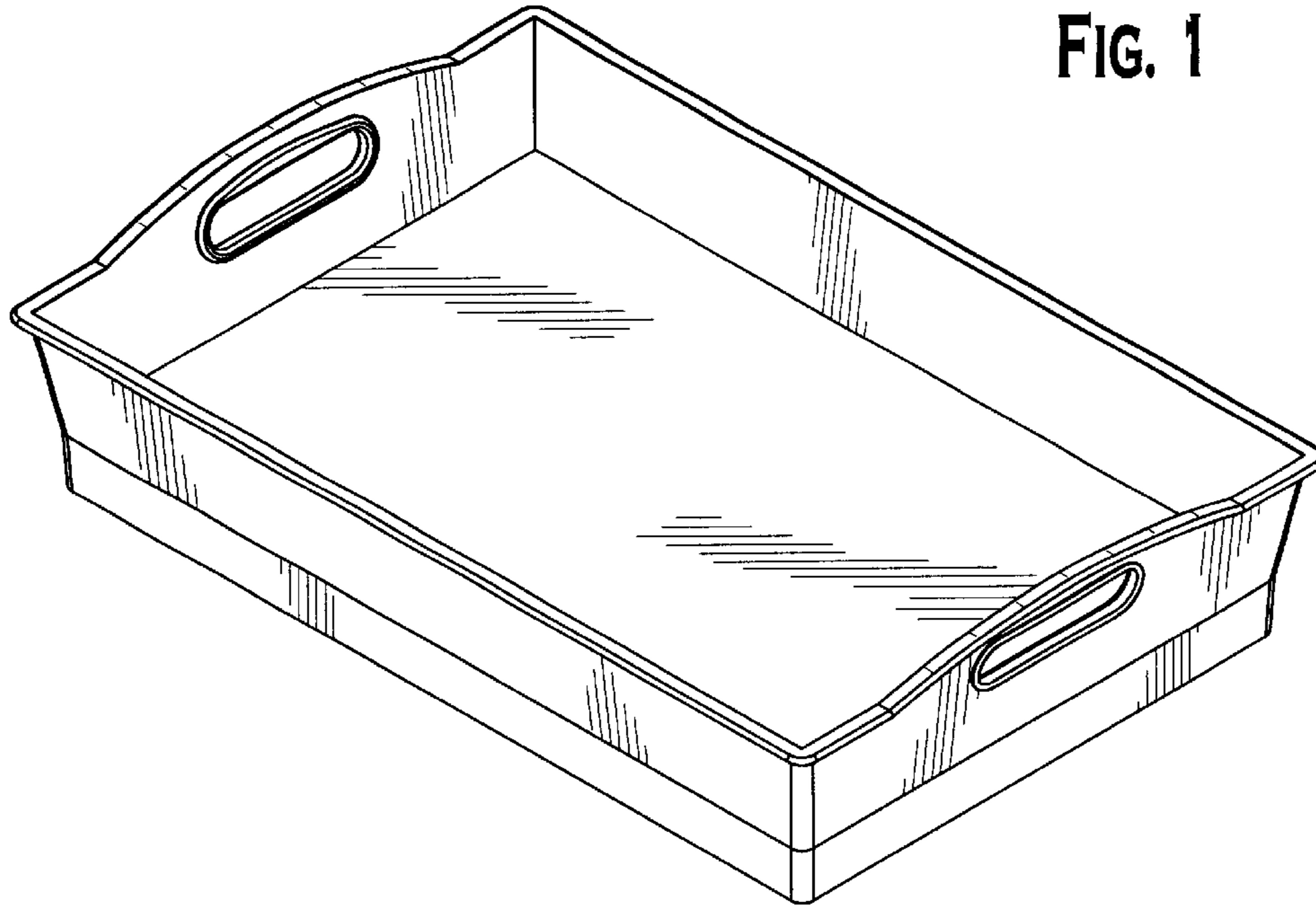


FIG. 1

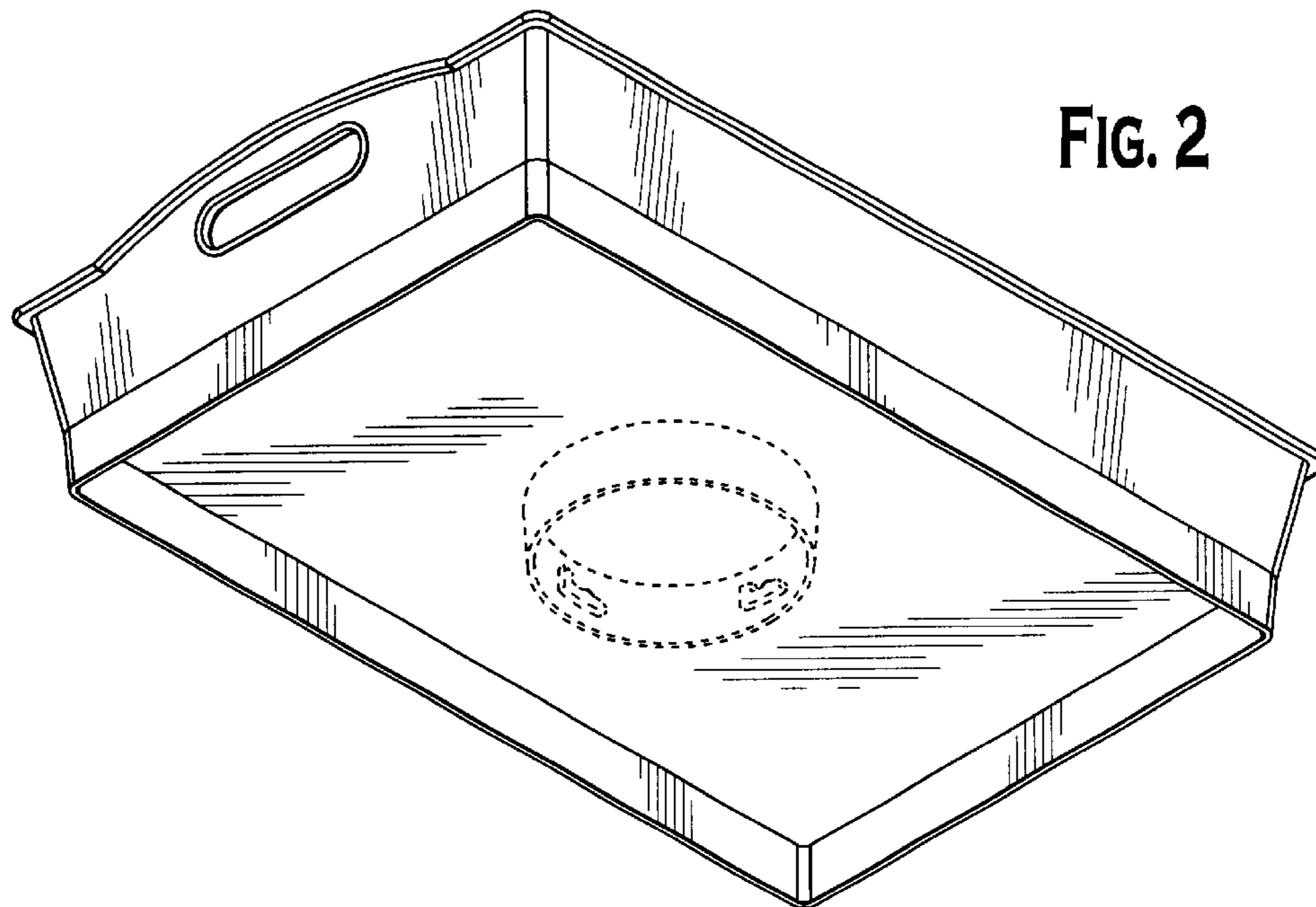


FIG. 2

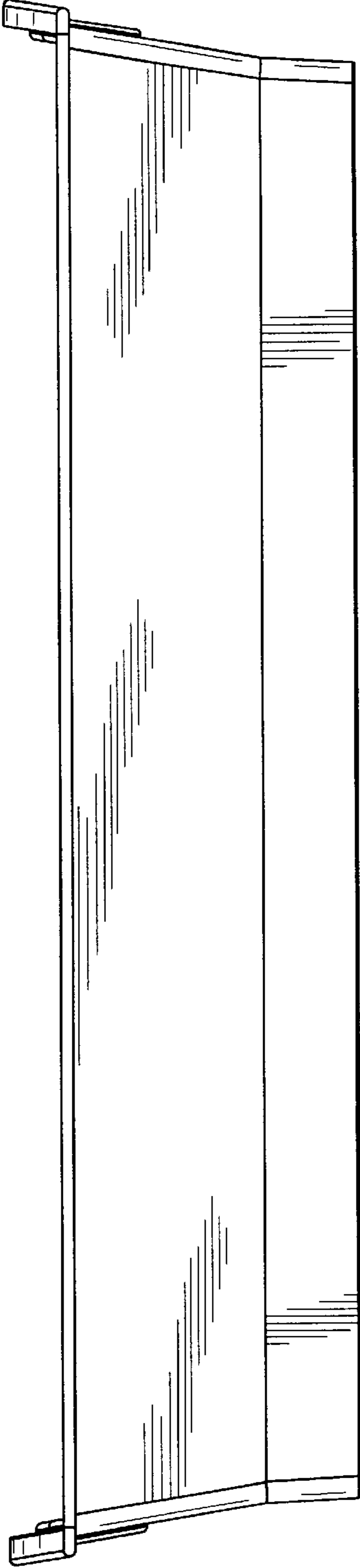


FIG. 3

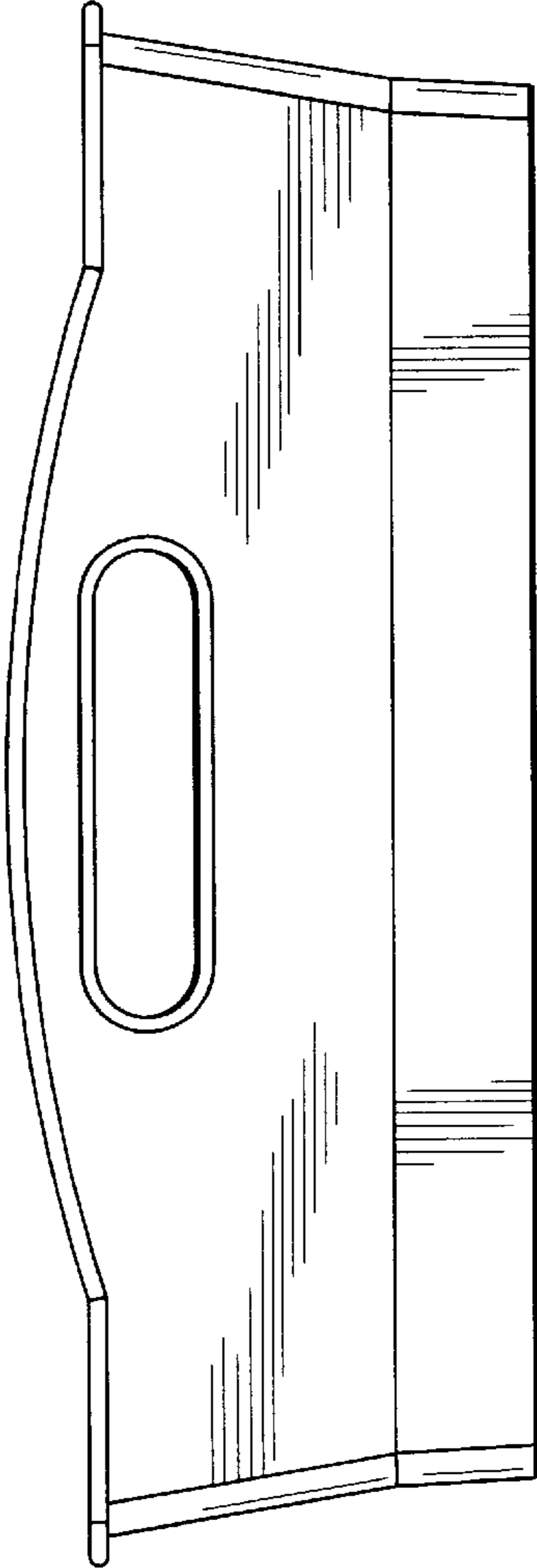


FIG. 4

FIG. 5

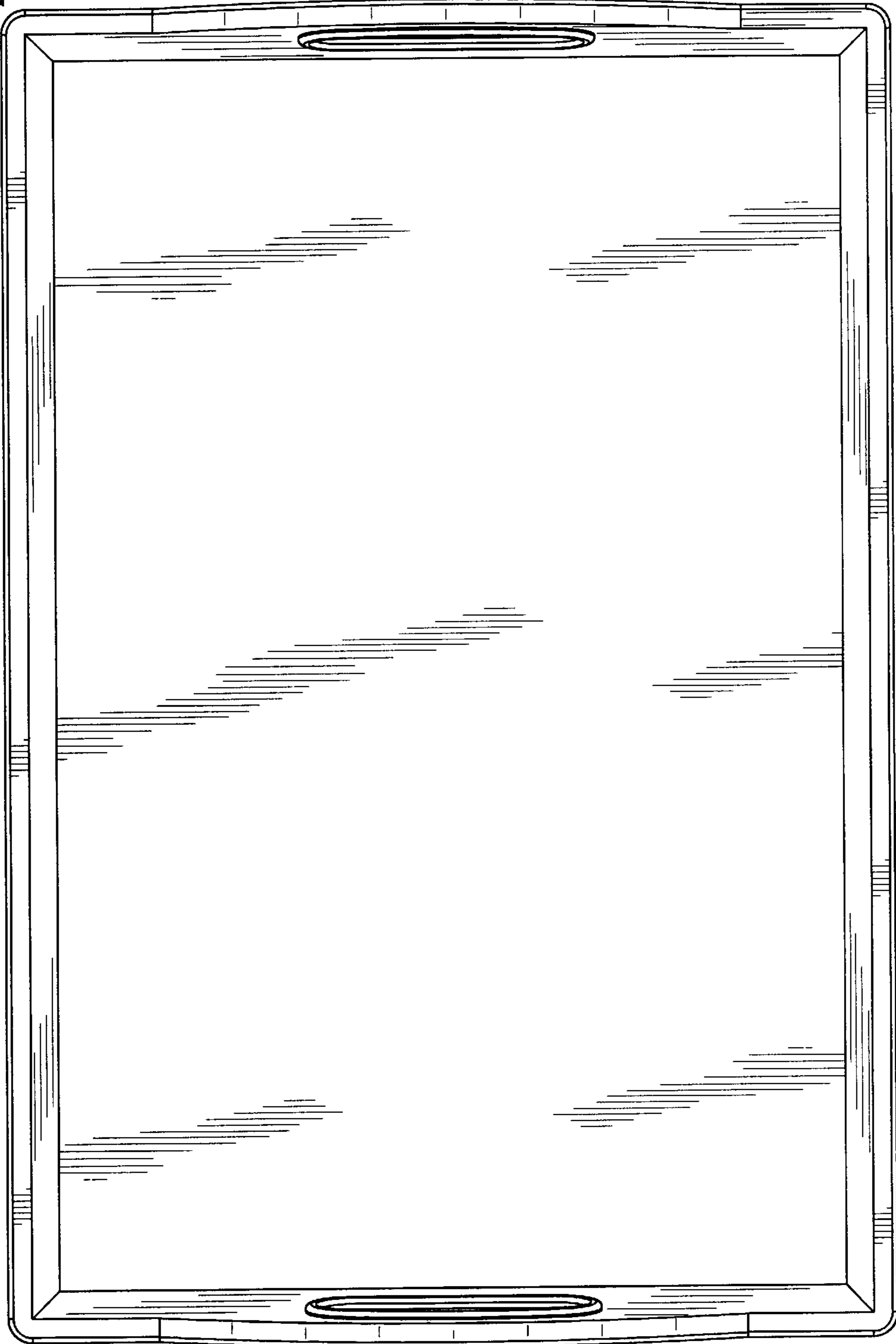


FIG. 6

