

US00D526847S

(12) **United States Design Patent**  
**Freeman**

(10) **Patent No.:** **US D526,847 S**

(45) **Date of Patent:** **\*\* Aug. 22, 2006**

(54) **BEVERAGE CUP WITH SIDE IMAGE PANELS**

(76) Inventor: **Richard Freeman**, 9572 B. State Rd., Philadelphia, PA (US) 19114

(\*\*) Term: **14 Years**

(21) Appl. No.: **29/206,701**

(22) Filed: **Jun. 2, 2004**

(51) **LOC (8) Cl.** ..... **07-01**

(52) **U.S. Cl.** ..... **D7/523; D7/531**

(58) **Field of Classification Search** ..... D7/510,  
D7/511, 536, 533, 532, 622, 509, 523, 608,  
D7/530, 531; 229/123.1, 400, 403; 215/395,  
215/376, 372, 11.1, 396, 398; 220/713, 710.5,  
220/729, 737, 669, 743; 206/520; D9/500;  
428/36.4

See application file for complete search history.

(56) **References Cited**

**U.S. PATENT DOCUMENTS**

D120,587 S	*	5/1940	Hinkins	.....	D9/500
D239,151 S	*	3/1976	Lundin	.....	D7/523
4,578,296 A	*	3/1986	Miyazaki et al.	.....	428/36.4
D379,738 S	*	6/1997	Liming et al.	.....	D7/511
5,769,266 A	*	6/1998	Willbrandt	.....	220/669

D416,444 S	*	11/1999	Jorgensen	.....	D7/536
D421,877 S	*	3/2000	La Torre et al.	.....	D7/510
D424,377 S	*	5/2000	Wyche	.....	D7/523
D428,307 S	*	7/2000	Yeandel	.....	D7/531
D446,687 S	*	8/2001	Furman et al.	.....	D7/523
D462,575 S	*	9/2002	Gluck	.....	D7/510
D471,064 S	*	3/2003	Renz	.....	D7/523
D476,857 S	*	7/2003	Holsinger	.....	D7/608
D504,280 S	*	4/2005	Chuang	.....	D7/530

\* cited by examiner

*Primary Examiner*—M. N. Pandozzi

(74) *Attorney, Agent, or Firm*—Lamorte & Associates

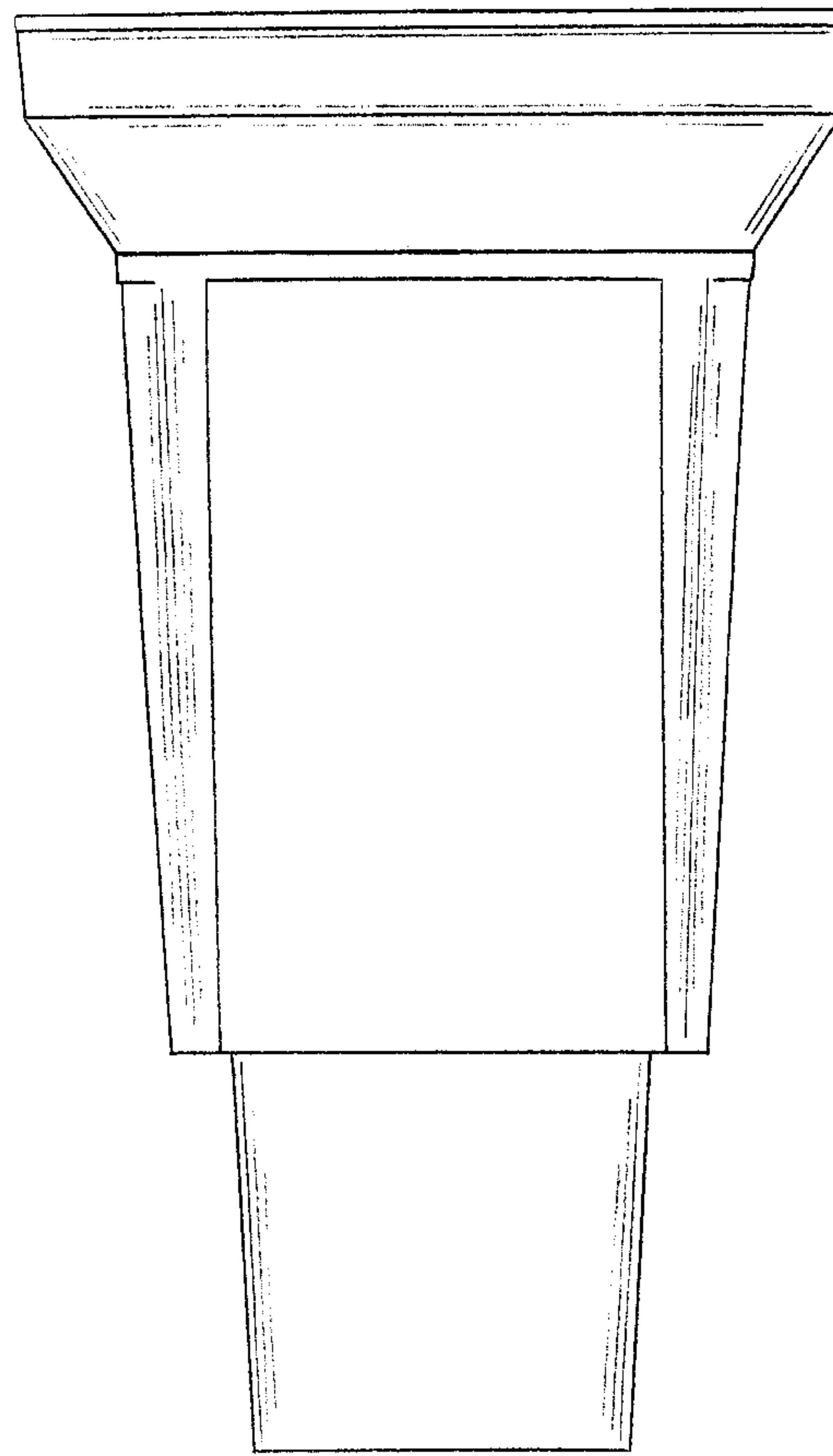
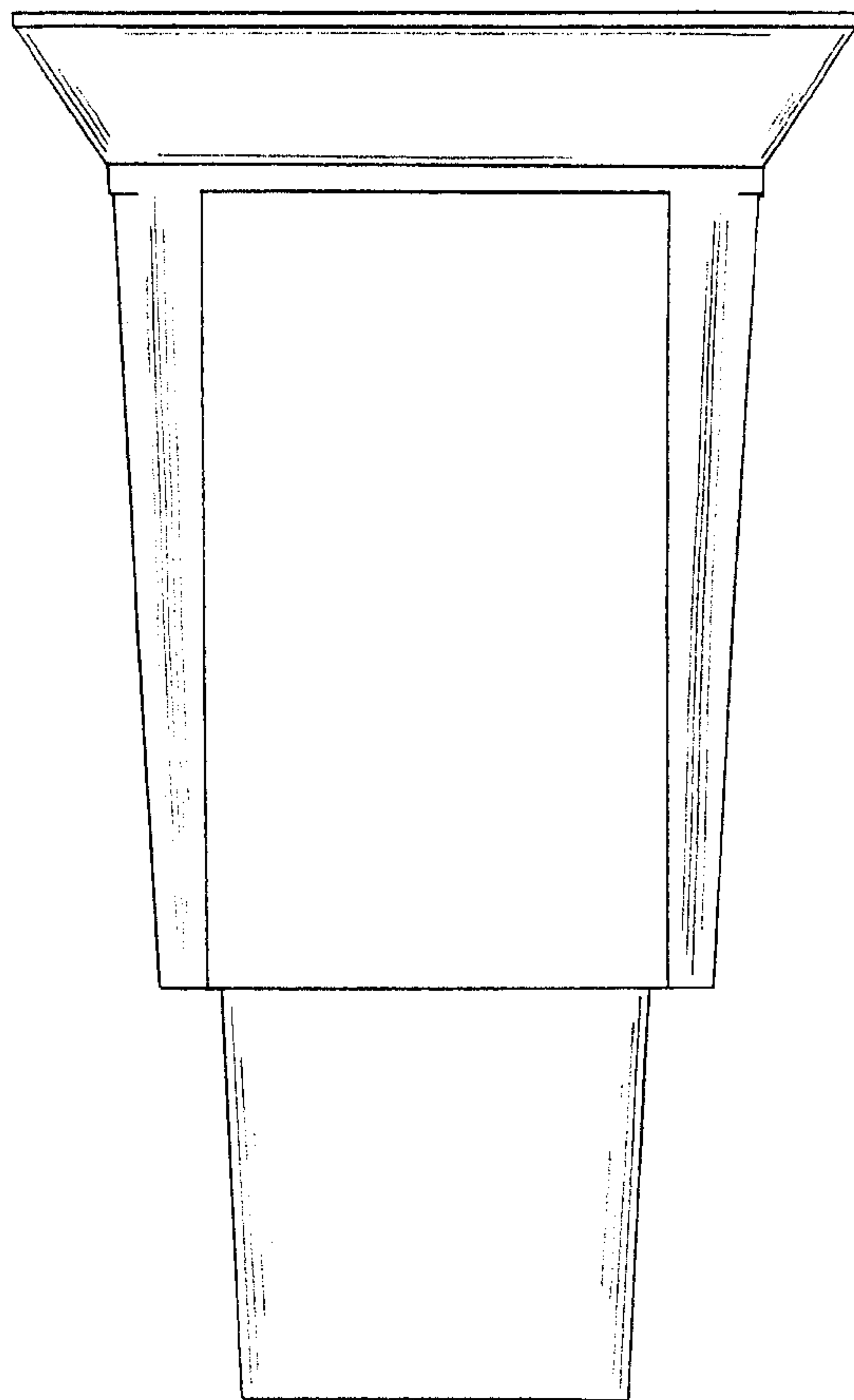
(57) **CLAIM**

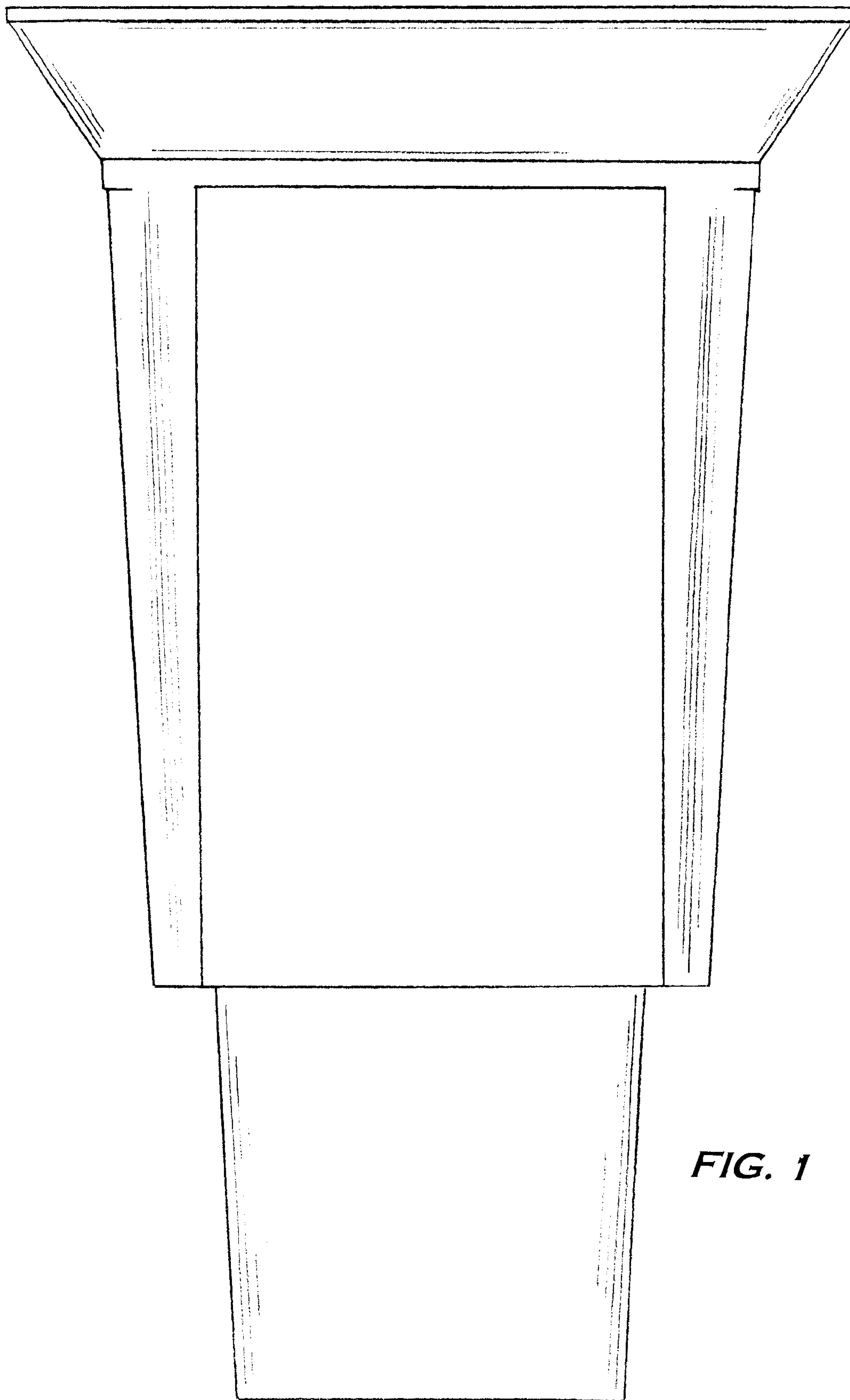
The ornamental design for a beverage cup with side image panels, as shown and described.

**DESCRIPTION**

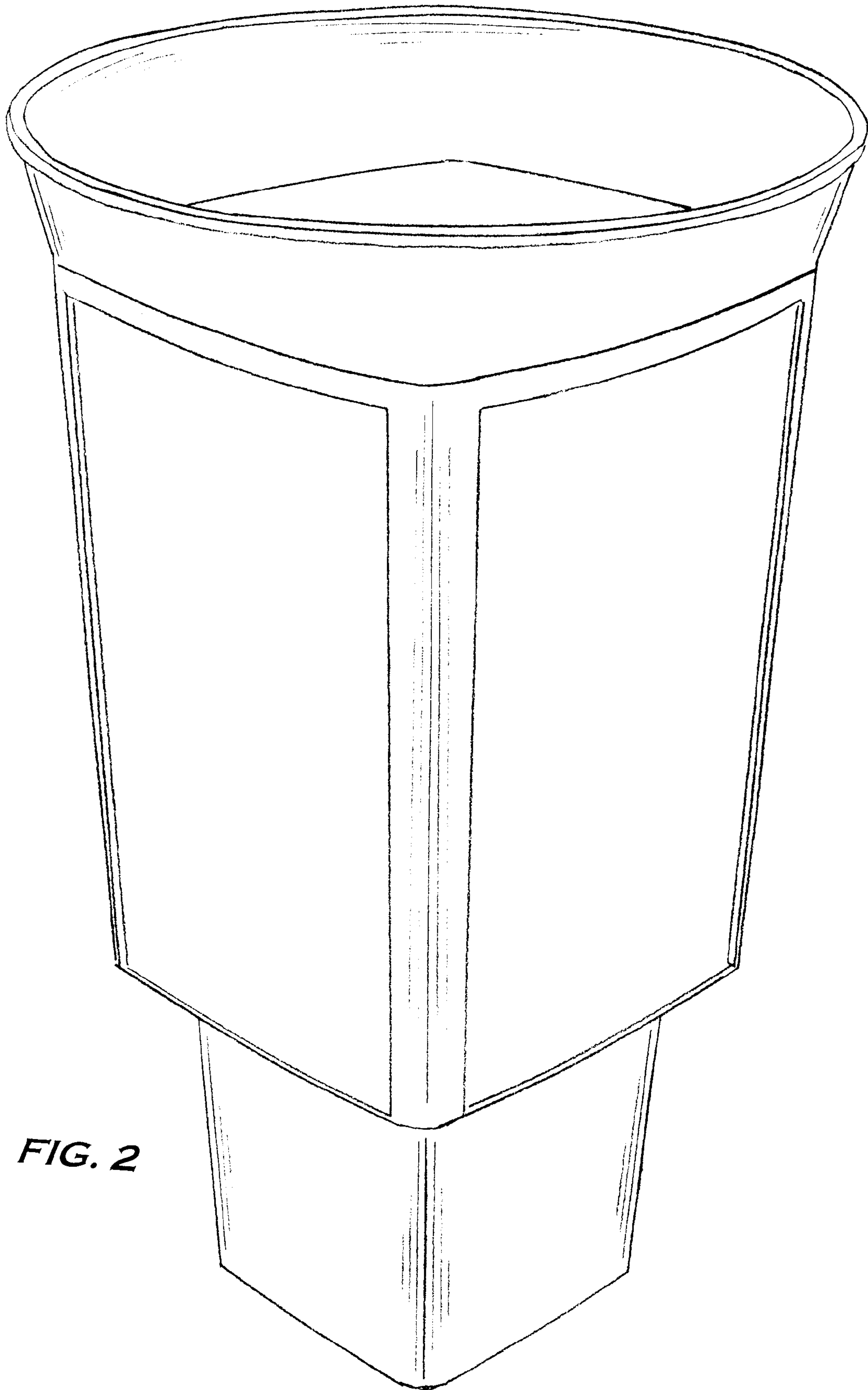
FIG. 1 is a front view of a beverage cup with side image panels, all sides being the same;  
FIG. 2 is perspective view thereof;  
FIG. 3 is a perspective view showing a second embodiment of my new design;  
FIG. 4 is a front view thereof, all sides being the same;  
FIG. 5 is a top plan view of both embodiments; and,  
FIG. 6 is a bottom plan view of both embodiments.

**1 Claim, 6 Drawing Sheets**

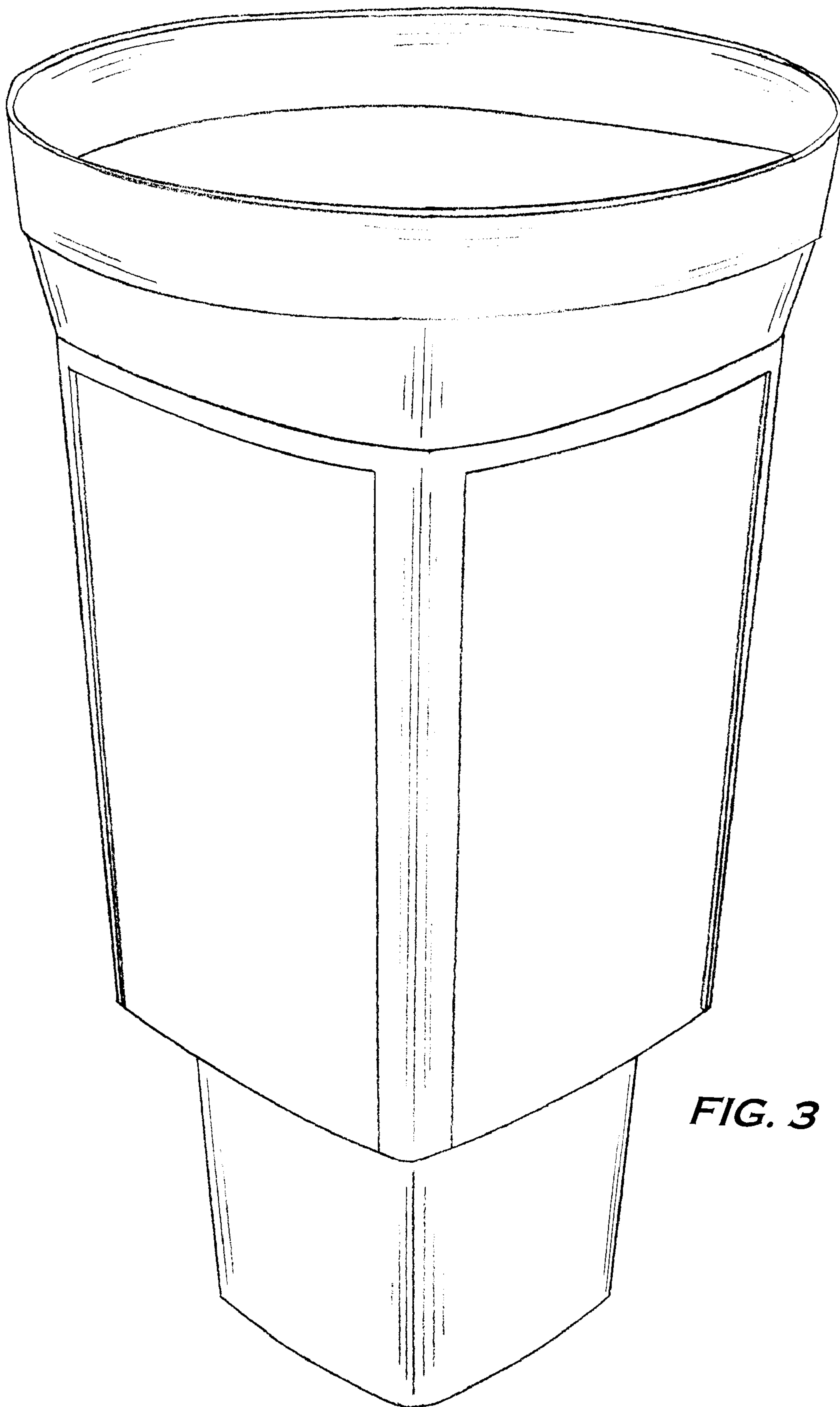




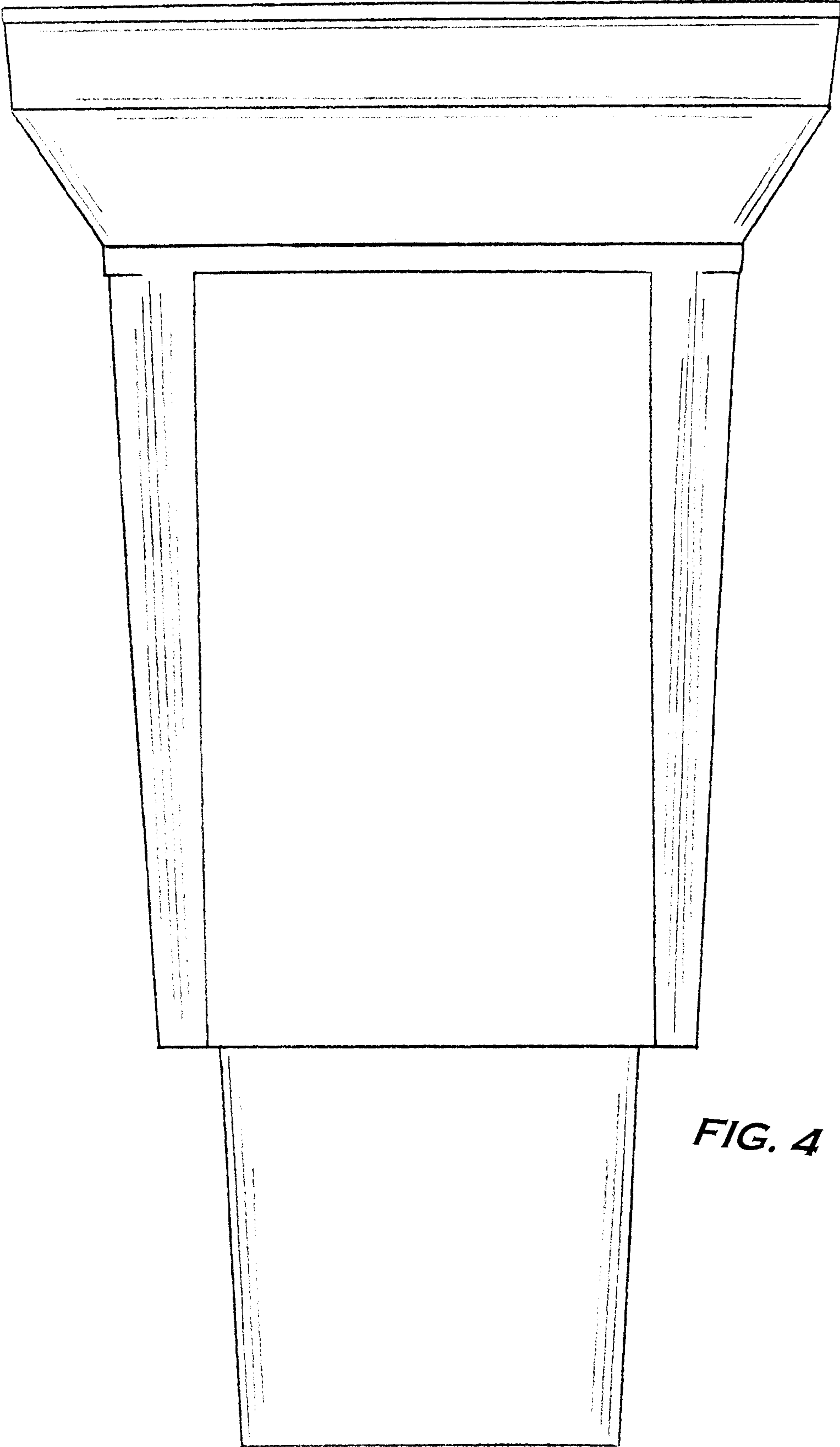
**FIG. 1**



**FIG. 2**

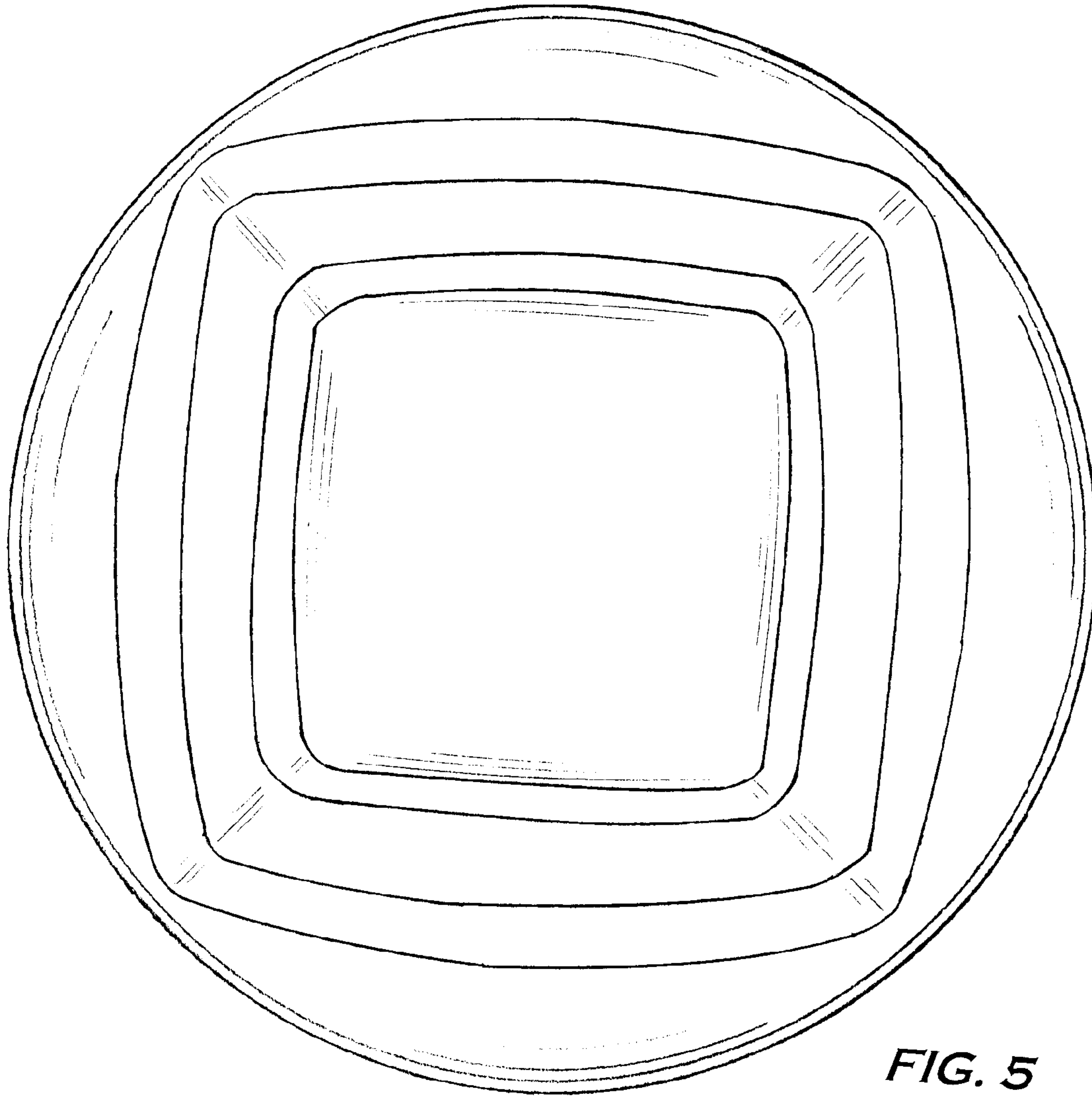


**FIG. 3**

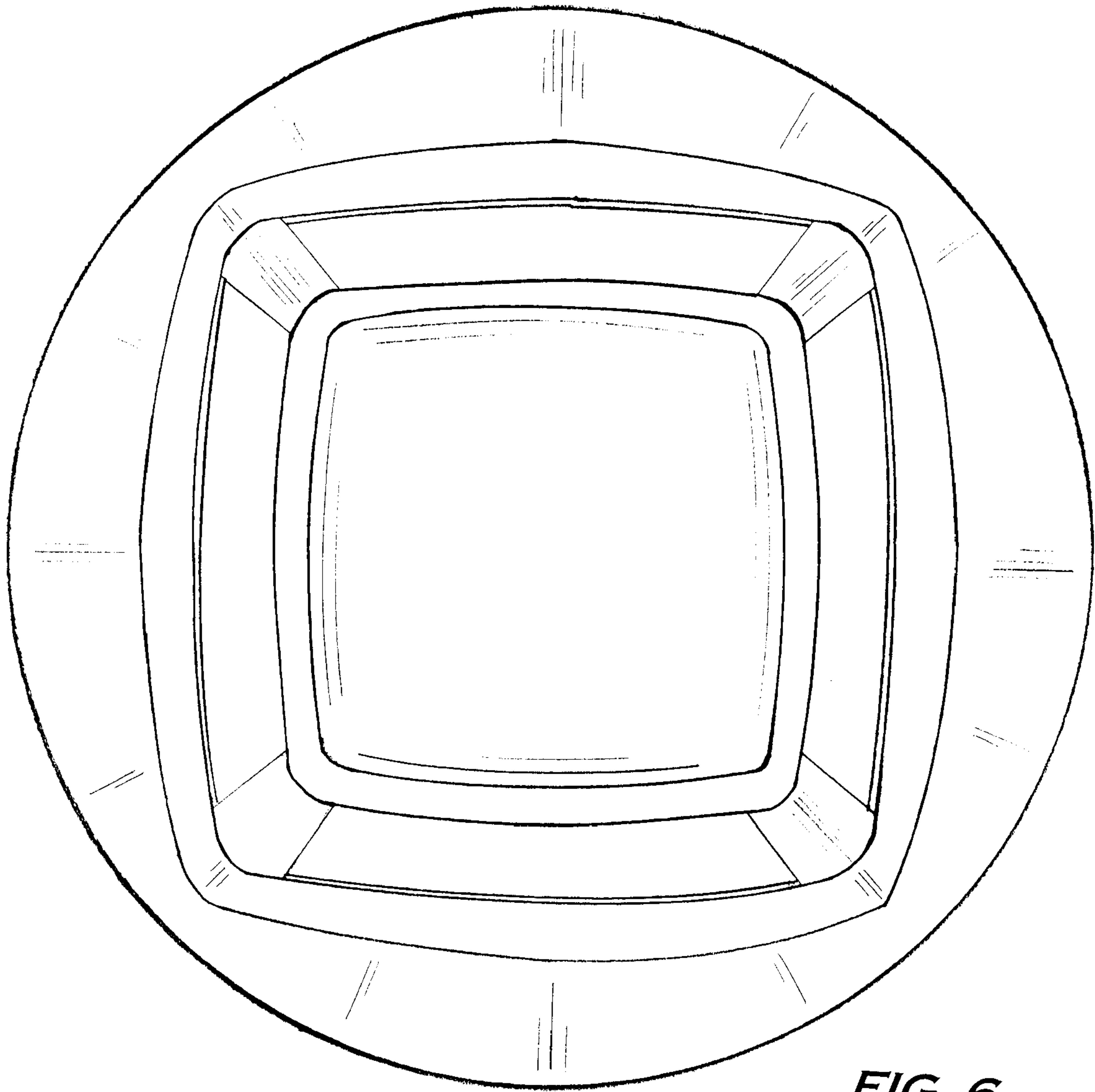


**FIG. 4**





**FIG. 5**



**FIG. 6**