

US00D526846S

(12) **United States Design Patent**
Kim

(10) **Patent No.:** **US D526,846 S**

(45) **Date of Patent:** **** Aug. 22, 2006**

(54) **BODY OF FOOD PROCESSING DEVICE**

(75) Inventor: **Jong-Boo Kim**, Daegu (KR)

(73) Assignee: **Nuc Electronics Co., Ltd.**, Daegu (KR)

(**) Term: **14 Years**

(21) Appl. No.: **29/230,740**

(22) Filed: **May 26, 2005**

(51) **LOC (8) Cl.** **07-02**

(52) **U.S. Cl.** **D7/412**

(58) **Field of Classification Search** D7/376-386,
D7/412-414, 665; D9/339, 432; 99/331,
99/337, 348, 492, 509-511; 215/222; 241/30,
241/33, 37.5, 101.01, 101.1, 101.2, 166-169,
241/282.1, 282.2, 291, 292.1; 312/138.1,
312/293.1, 293.2, 293.3, 326, 327; 366/64-67,
366/98-100, 129, 130, 146, 192, 197-201,
366/205-207, 214, 219-221, 241-254, 279-282,
366/318, 325.3, 325.92, 325.93, 325.94,
366/327.2, 328.2, 329.1, 330.1, 330.2, 330.3,
366/330.4, 330.5, 341-343, 347; D32/1,
D32/17, 21, 24, 31

See application file for complete search history.

(56) **References Cited**

U.S. PATENT DOCUMENTS

D316,465 S * 4/1991 Reiferscheid et al. D32/17
D332,201 S * 1/1993 Beeren D7/384

D337,917 S * 8/1993 Barrault D7/384
D383,471 S * 9/1997 Hsu D15/82
D420,547 S * 2/2000 Lallemand D7/384
D443,119 S * 5/2001 Sung D32/21
D462,488 S * 9/2002 Santiago et al. D32/18
D497,693 S * 10/2004 Hecker et al. D32/17
D499,517 S * 12/2004 Chen D32/17
D504,198 S * 4/2005 Hopper et al. D32/17
D508,152 S * 8/2005 Konno D32/21
2005/0207273 A1 * 9/2005 Newman et al. 366/314

* cited by examiner

Primary Examiner—Cathron C. Brooks

Assistant Examiner—Ricky Pham

(74) *Attorney, Agent, or Firm*—Mayer, Brown, Rowe & Maw LLP

(57) **CLAIM**

The ornamental design for the body of food processing device, as shown and described.

DESCRIPTION

FIG. 1 is a perspective view of the body of food processing device according to the invention;
FIG. 2 is a front elevational view thereof;
FIG. 3 is a rear elevational view thereof;
FIG. 4 is a left side elevational view thereof;
FIG. 5 is a right side elevational view thereof;
FIG. 6 is a top plan view thereof; and,
FIG. 7 is a bottom plan view thereof.

1 Claim, 4 Drawing Sheets

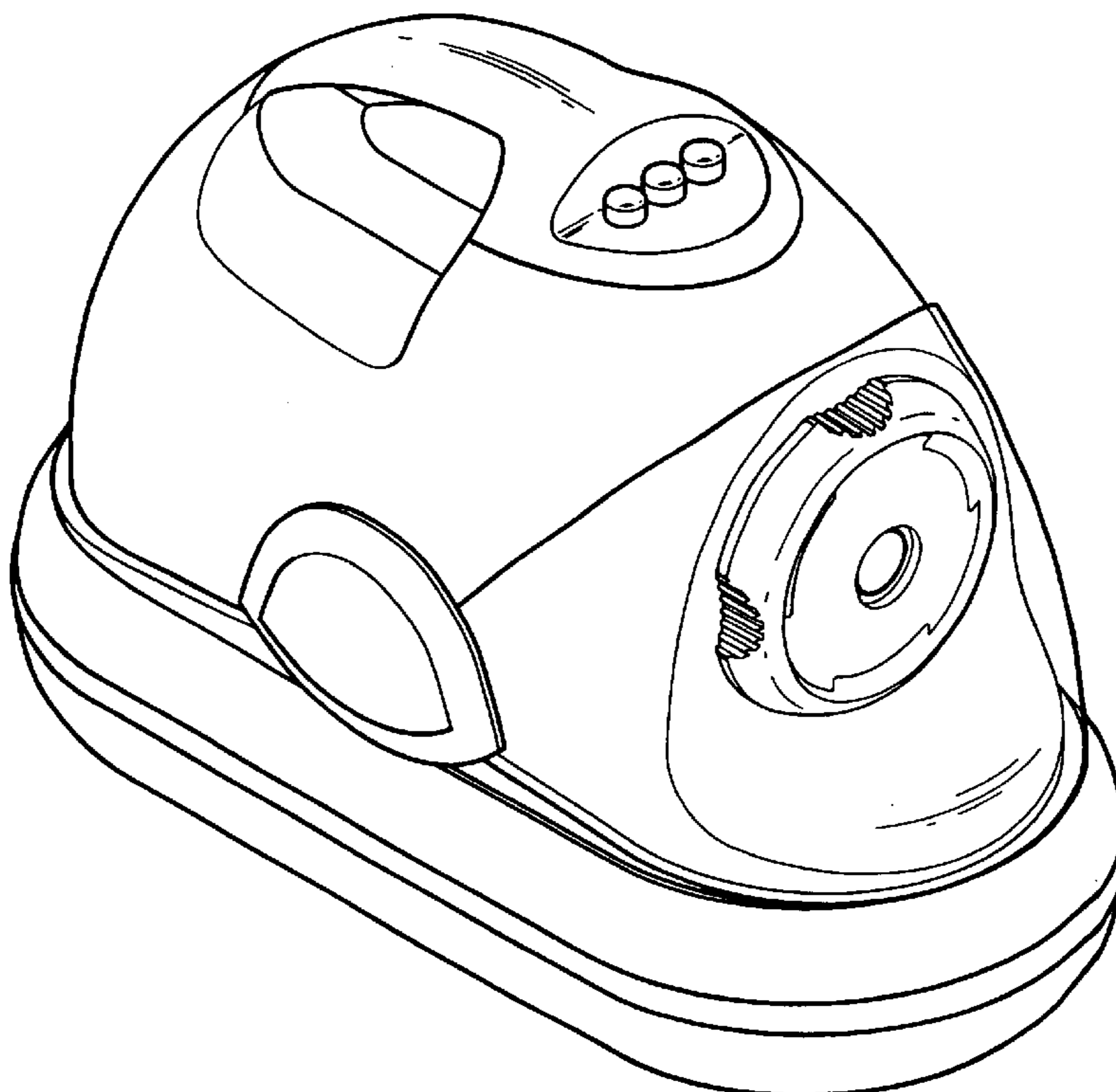


FIG. 1

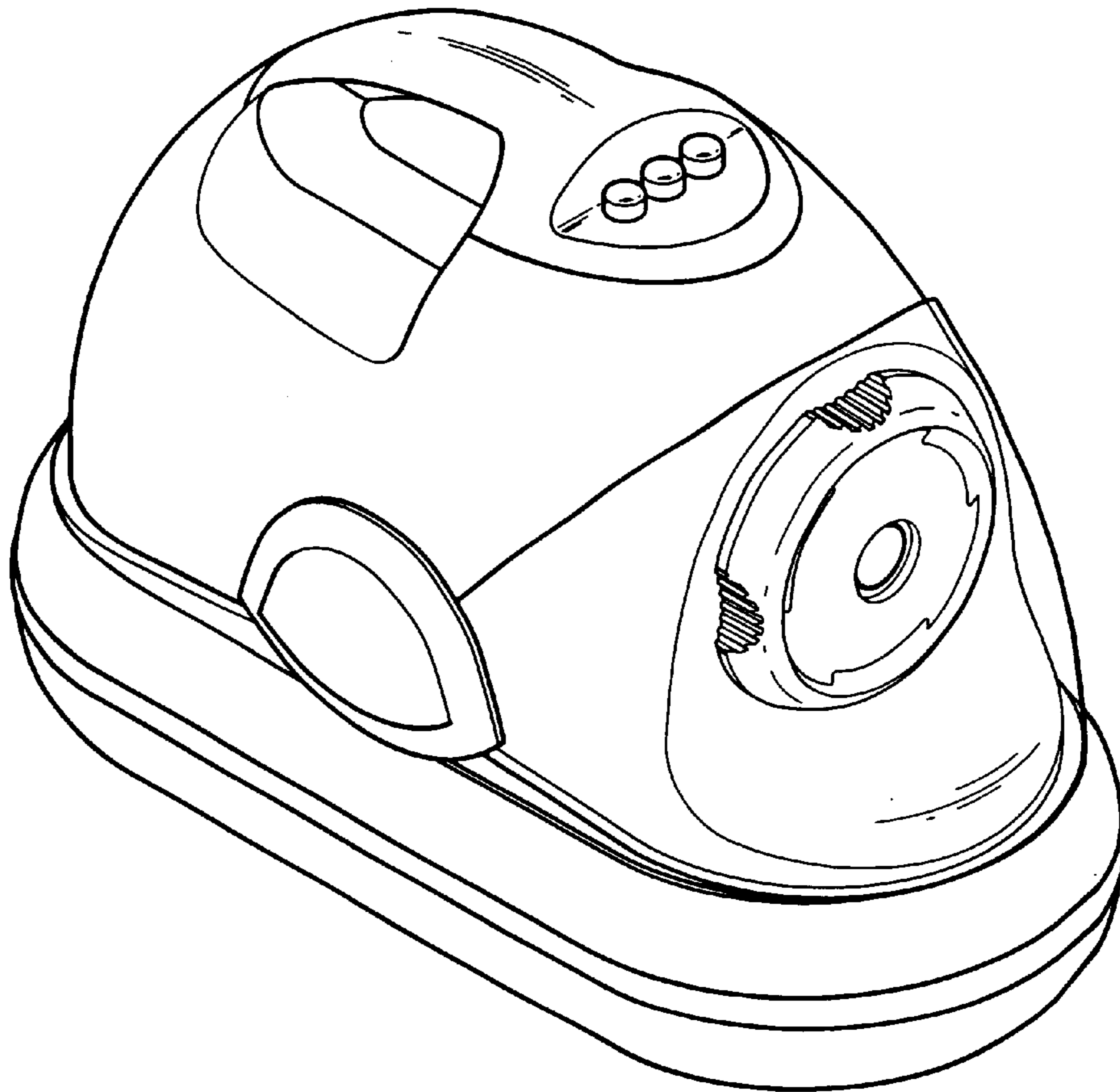


FIG. 2

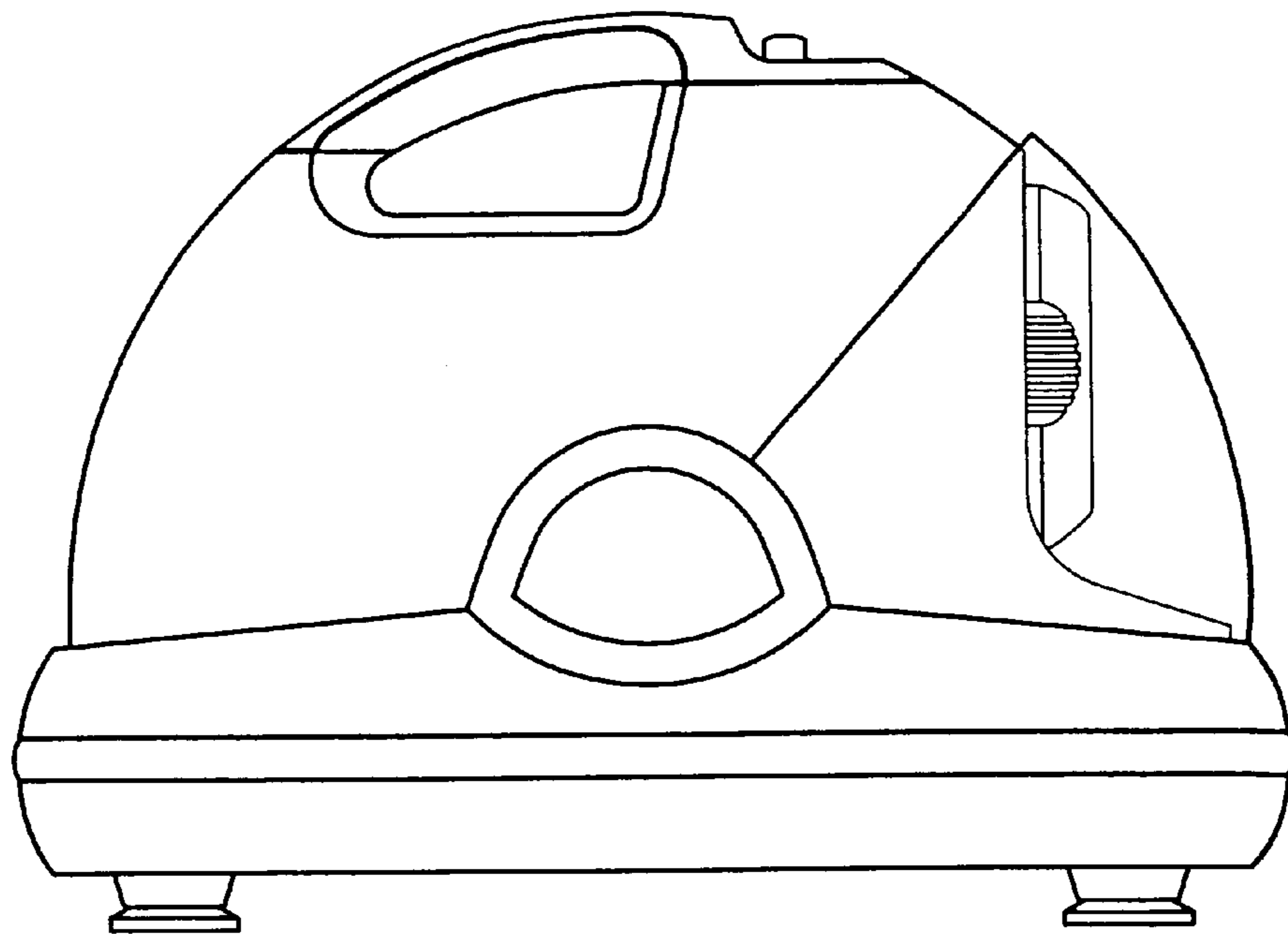


FIG. 3

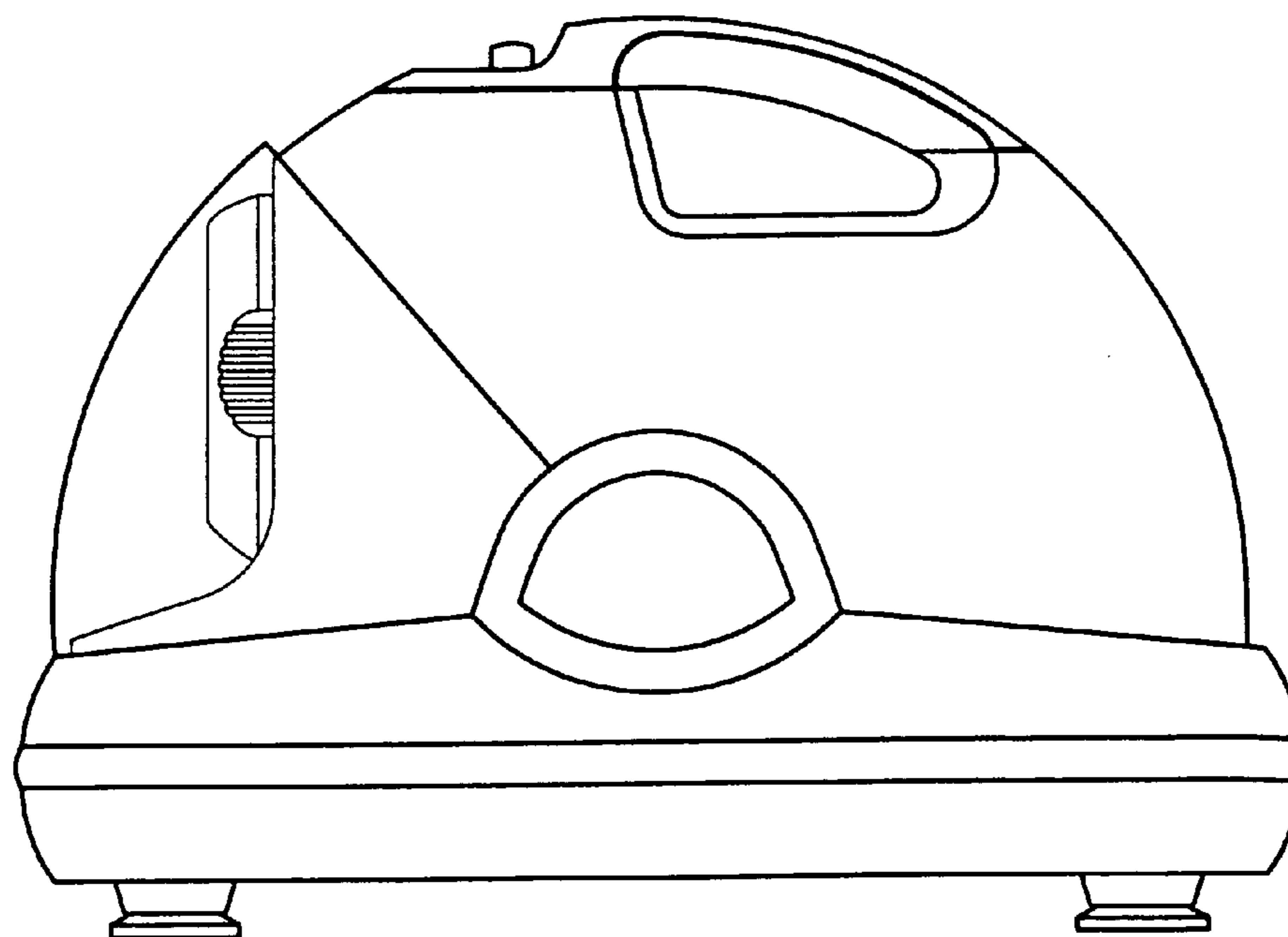


FIG. 4

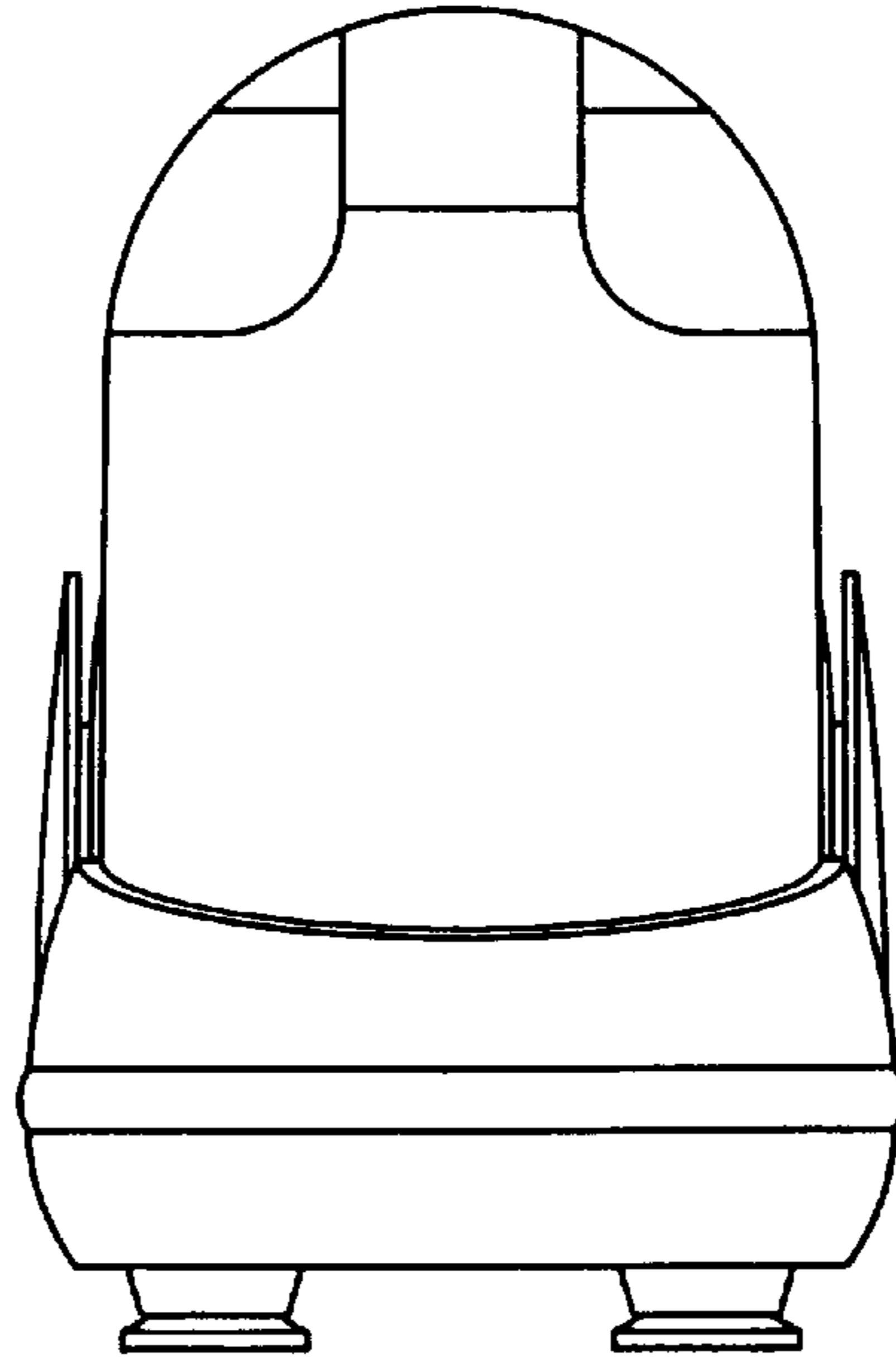


FIG. 5

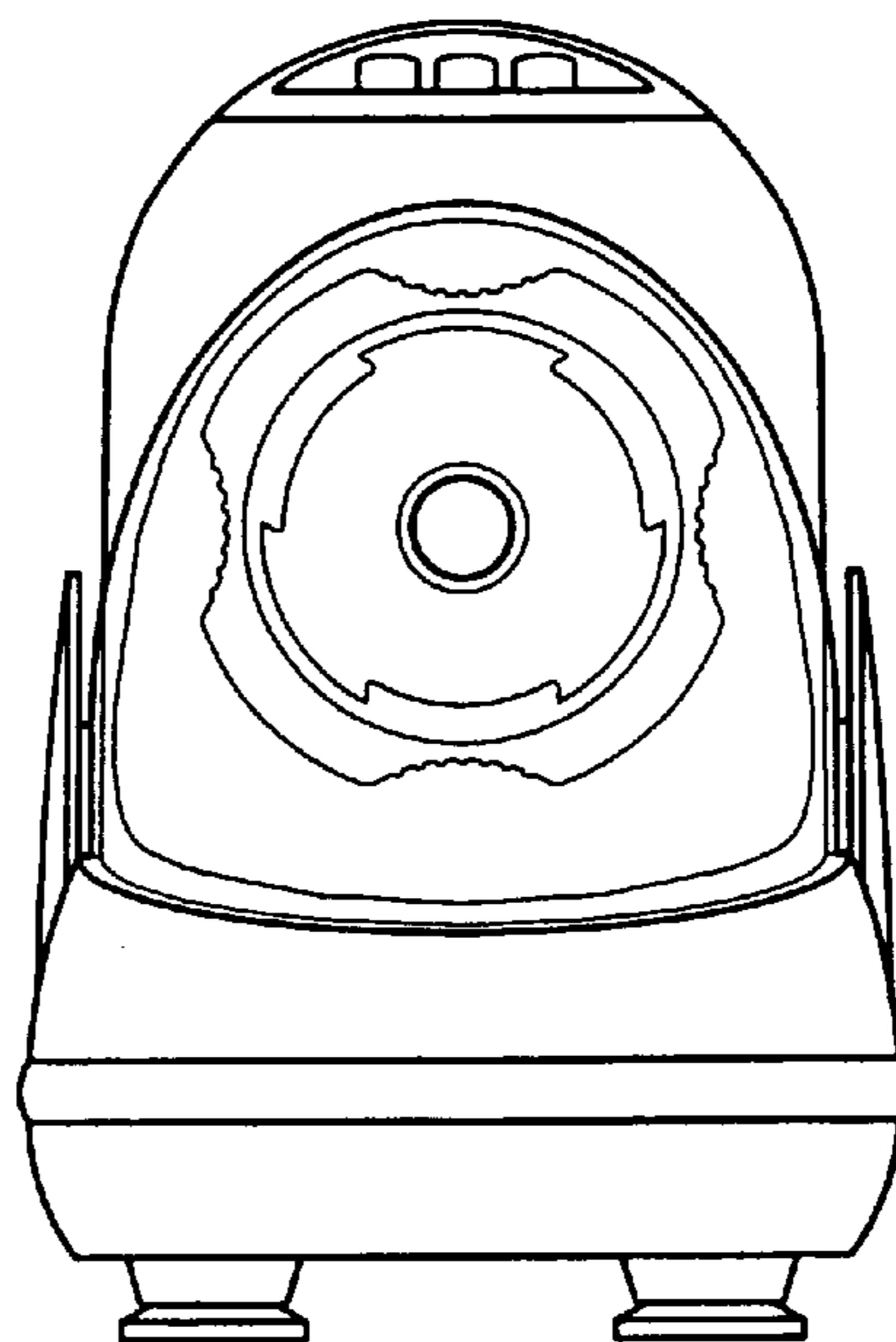


FIG. 6

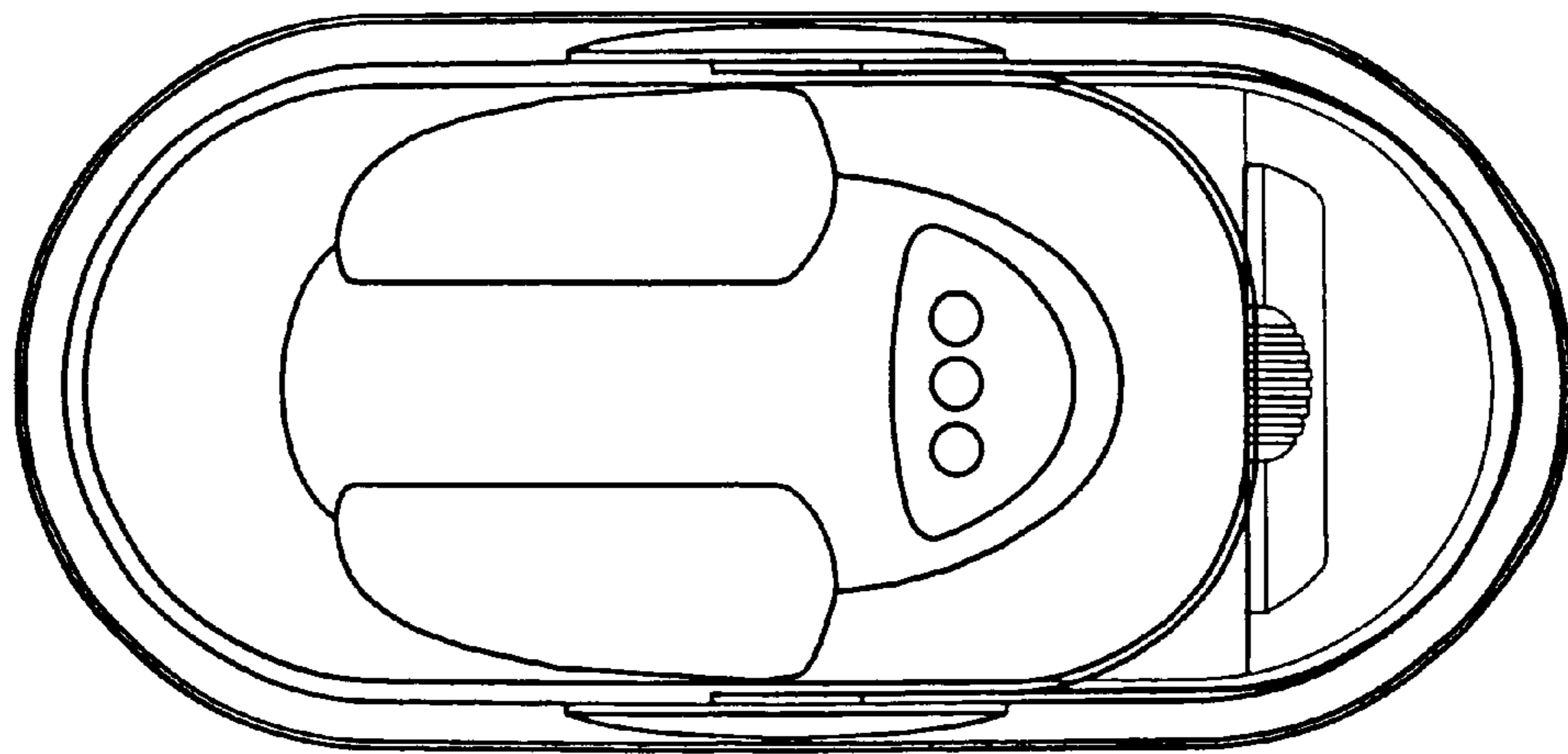


FIG. 7

