



US00D526845S

(12) **United States Design Patent**
Katz et al.

(10) **Patent No.:** **US D526,845 S**

(45) **Date of Patent:** **** Aug. 22, 2006**

(54) **GASKET FOR A FOOD PROCESSING SYSTEM**

(75) Inventors: **Jonathan M. Katz**, Solon, OH (US);
Robert M. Ulanski, Broadview Heights, OH (US); **Eugene J. Kozlowski**, Medina, OH (US)

(73) Assignee: **Vita-Mix Corporation**, Cleveland, OH (US)

(**) Term: **14 Years**

(21) Appl. No.: **29/205,852**

(22) Filed: **May 21, 2004**

(51) **LOC (8) Cl.** **07-02**

(52) **U.S. Cl.** **D7/412**

(58) **Field of Classification Search** D7/376–386,
D7/412–414, 665; D9/339, 432; 99/331,
99/337, 348, 492, 509–511; 215/222; 241/30,
241/33, 37.5, 101.01, 101.1, 101.2, 166–169,
241/282.1, 282.2, 291, 292.1; 312/138.1,
312/293.1, 293.2, 293.3, 326, 327; 366/64–67,
366/98–100, 129, 130, 146, 192, 197–201,
366/205–207, 214, 219–221, 241–254, 279–282,
366/318, 325.3, 325.92, 325.93, 325.94,
366/327.2, 328.2, 329.1, 330.1, 330.2, 330.3,
366/330.4, 330.5, 341–343, 347
See application file for complete search history.

(56) **References Cited**

U.S. PATENT DOCUMENTS

D141,503 S * 6/1945 Preis D7/552.1
2,419,229 A * 4/1947 Preis 294/172
2,826,469 A * 3/1958 Grant 220/23.83
D237,503 S * 11/1975 Langmack D14/140.5

D252,491 S * 7/1979 Hoffman et al. D7/641
D253,333 S * 11/1979 Carr et al. D7/359
D295,012 S * 4/1988 Gelber D7/412
5,533,797 A * 7/1996 Gelber 312/138.1
5,692,830 A * 12/1997 Costanzo 366/314
5,957,577 A * 9/1999 Dickson et al. 366/197
D427,016 S * 6/2000 Kindig et al. D7/412
D432,864 S * 10/2000 Kindig et al. D7/412
6,761,326 B1 * 7/2004 Astegno et al. 241/285.1

* cited by examiner

Primary Examiner—Caron D. Veynar

Assistant Examiner—Ricky Pham

(74) *Attorney, Agent, or Firm*—Renner, Kenner, Greive, Bodak, Taylor & Weber

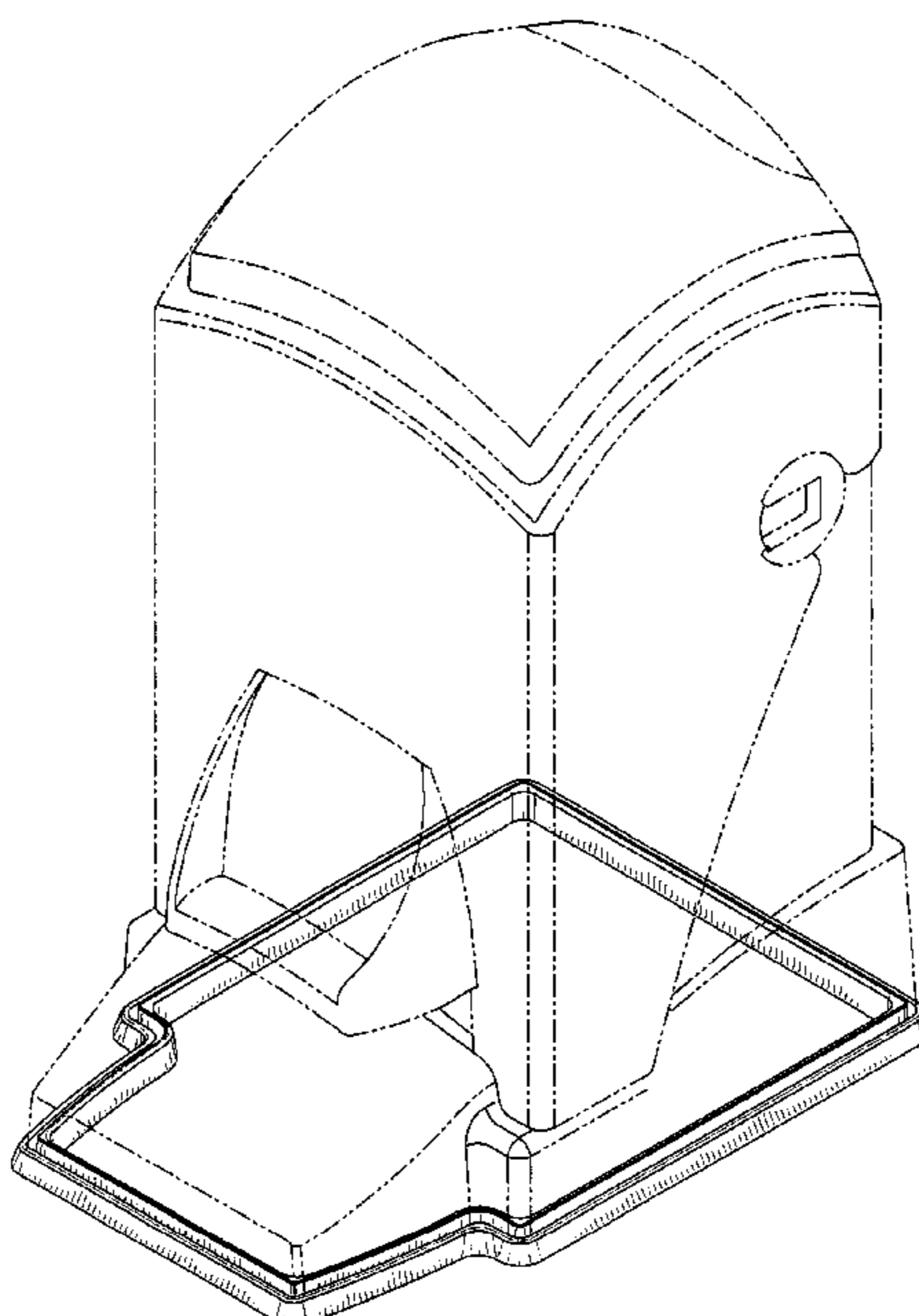
(57) **CLAIM**

The ornamental design for a gasket for a food processing system, as shown and described.

DESCRIPTION

FIG. 1 is a perspective view of a gasket for a food processing system showing our new design, with the food processing system being shown in phantom lines for environmental purposes only and not being part of the claimed invention; FIG. 2 is a top, front, right side perspective view of a gasket for a food processing system showing our new design; FIG. 3 is a bottom, front, left side perspective view thereof; FIG. 4 is a top plan view thereof; FIG. 5 is a bottom plan view thereof; FIG. 6 is a left side elevational view thereof; FIG. 7 is a right side elevational view thereof; FIG. 8 is a front elevational view thereof; FIG. 9 is a rear elevational view thereof; and, FIG. 10. is a sectional view thereof taken substantially along line 10—10 of FIG. 4.

1 Claim, 4 Drawing Sheets



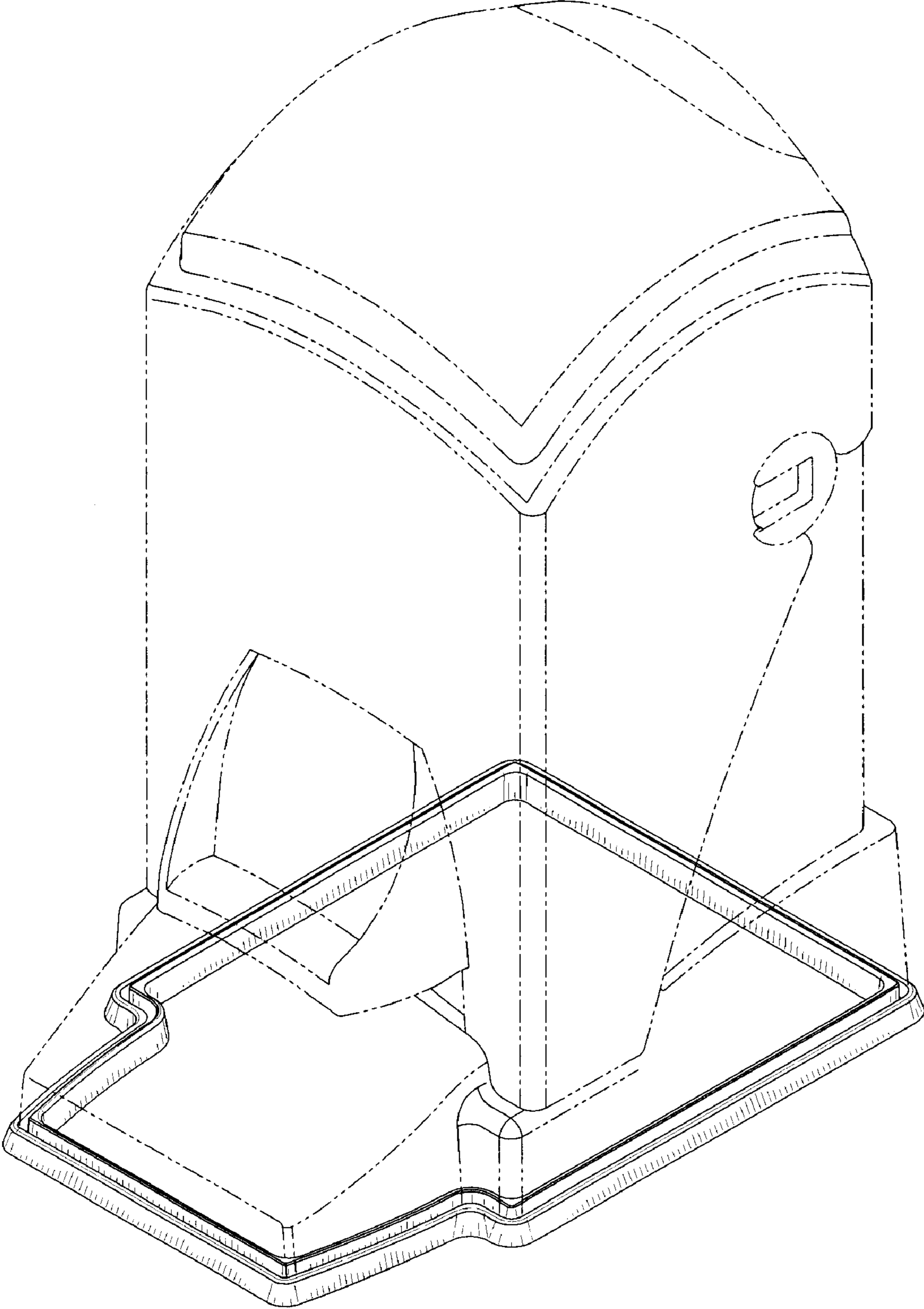


FIG-1

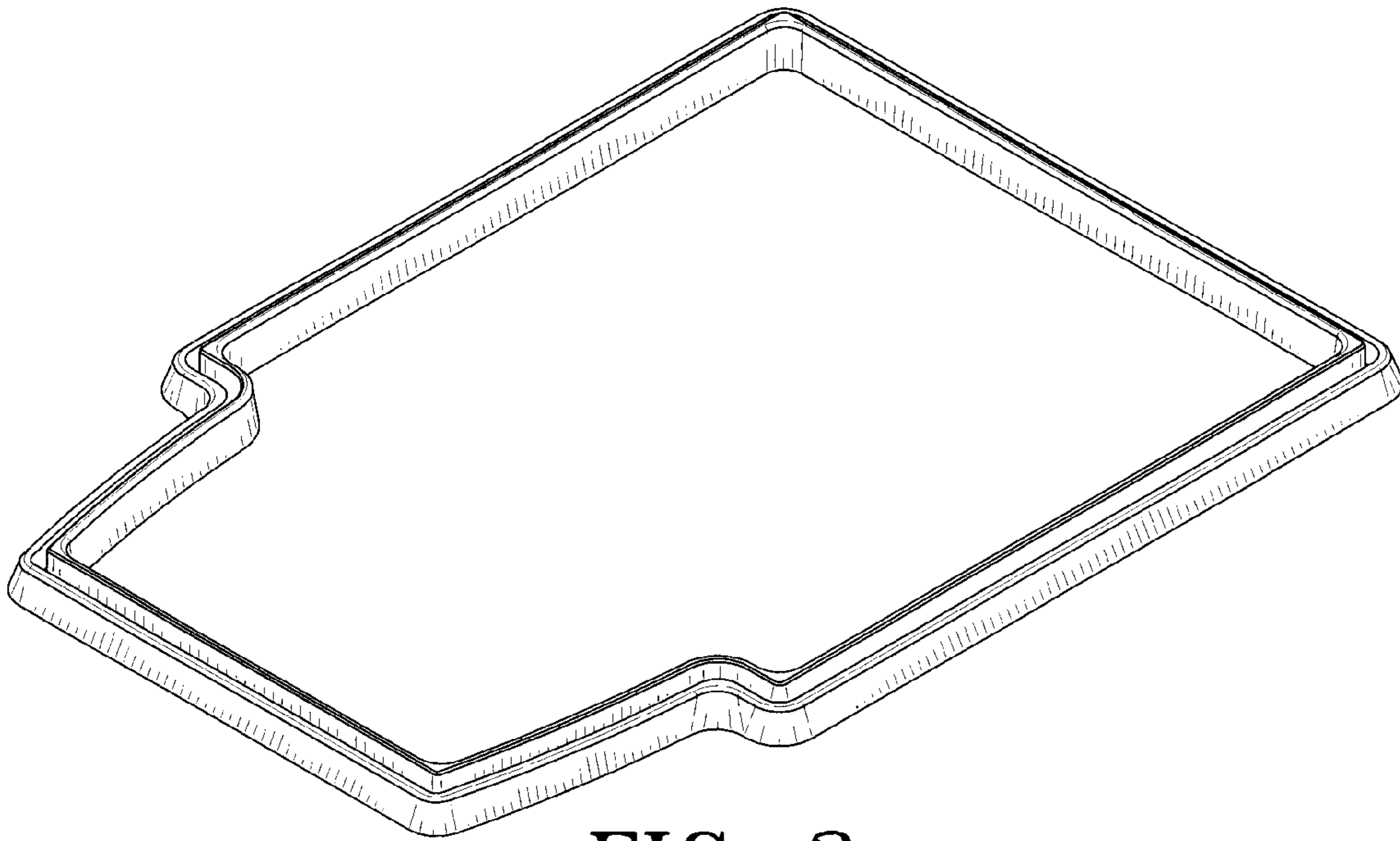


FIG-2

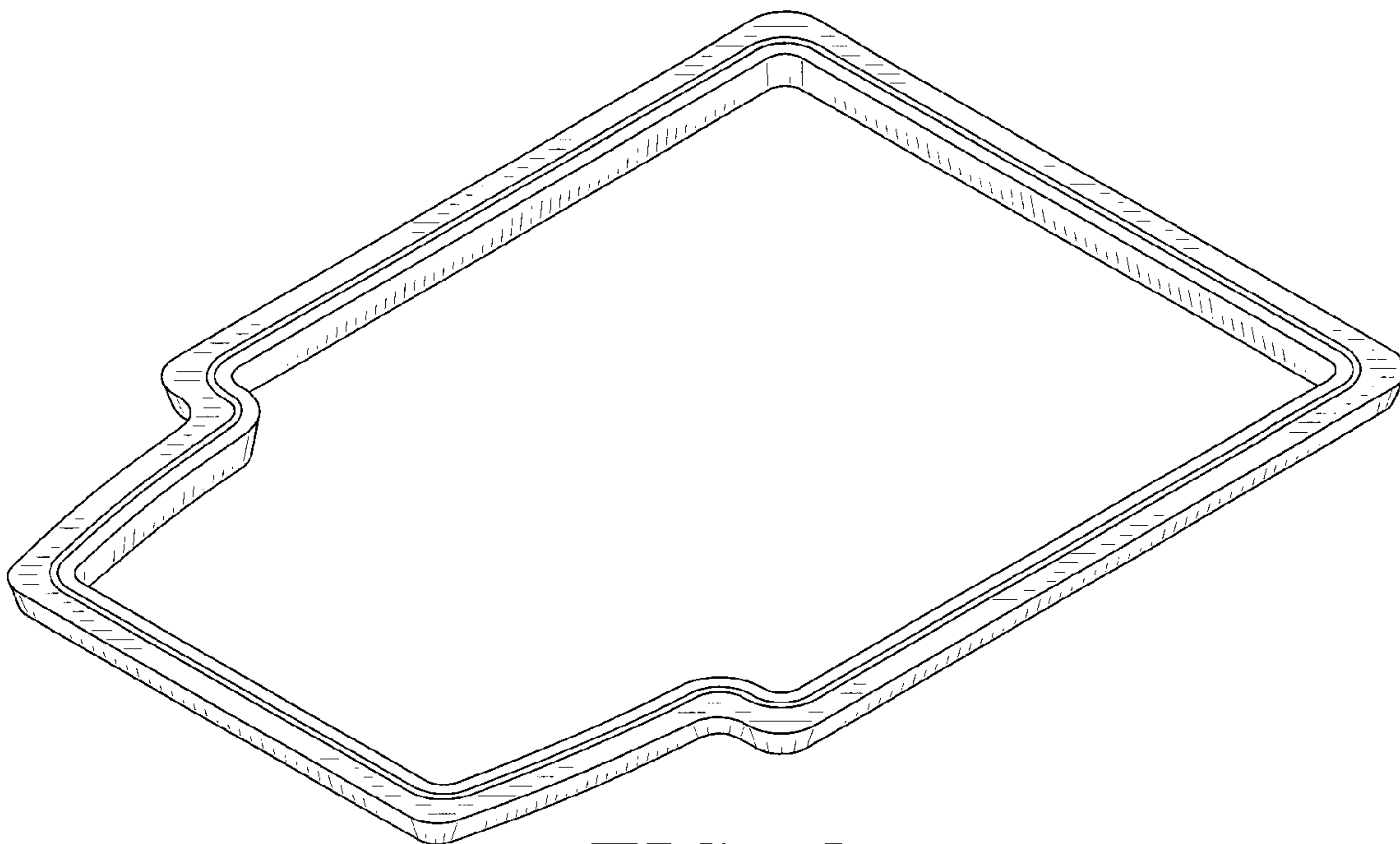
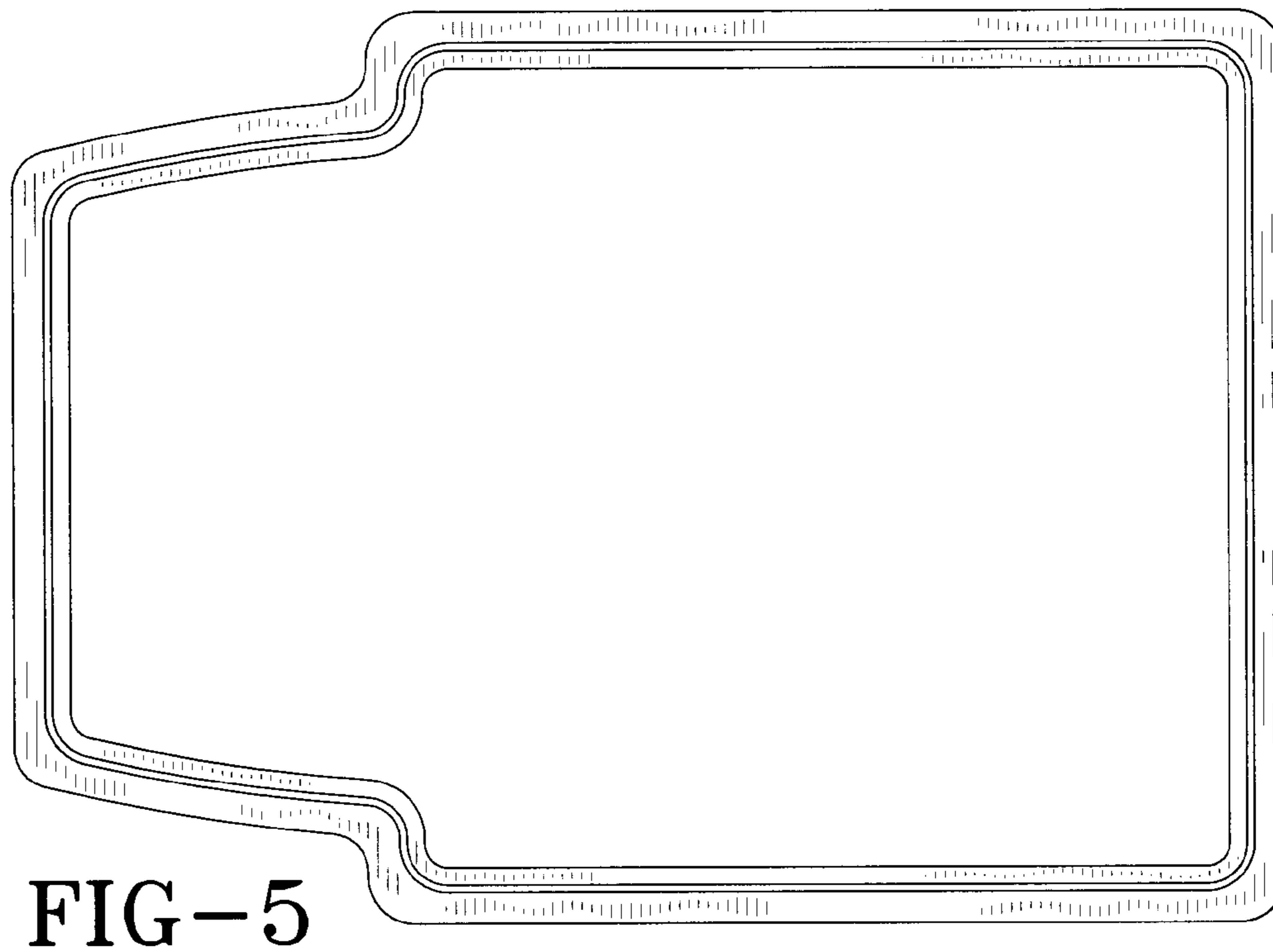
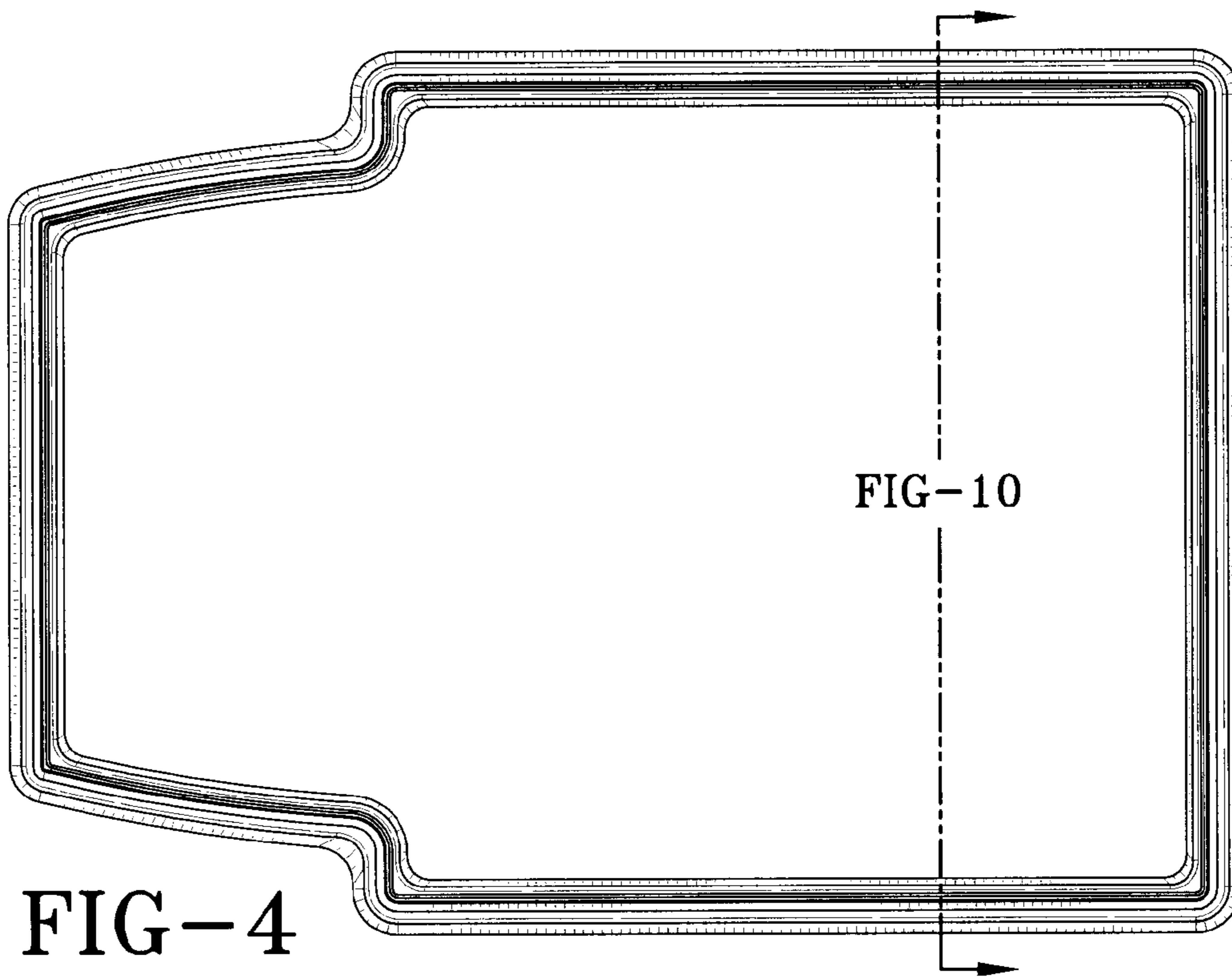


FIG-3



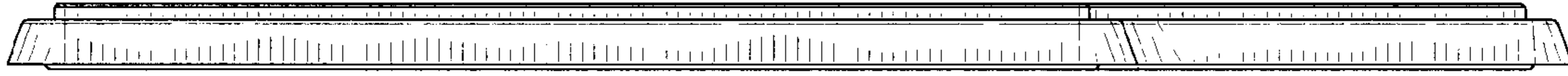


FIG-6

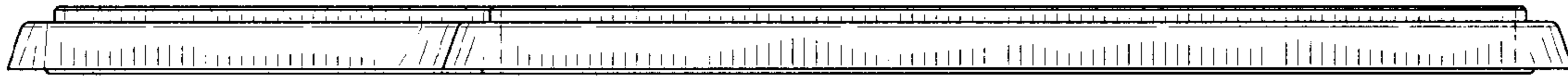


FIG-7

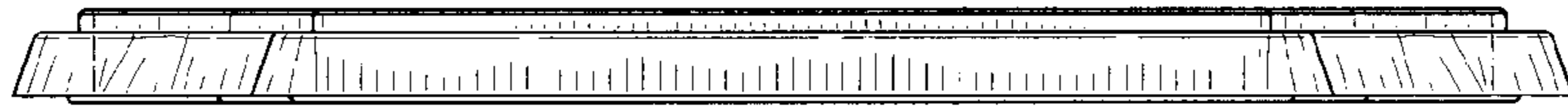


FIG-8

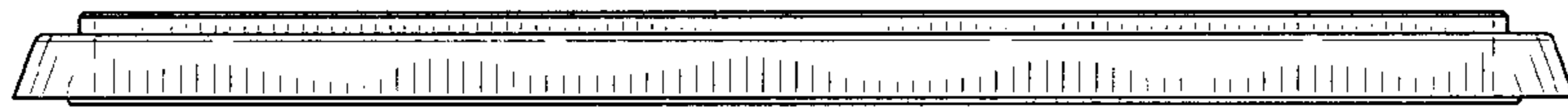


FIG-9

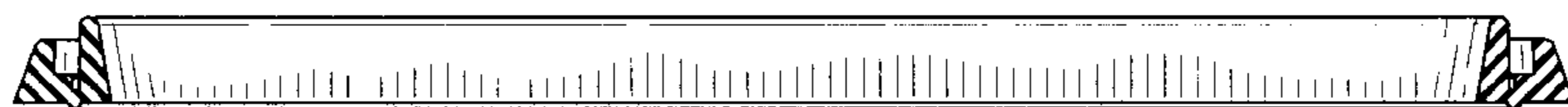


FIG-10