



US00D526843S

(12) **United States Design Patent**
Chung

(10) **Patent No.:** **US D526,843 S**

(45) **Date of Patent:** **** Aug. 22, 2006**

(54) **COVER FOR BARBECUE GRILL**

(76) Inventor: **Kiosky Chung**, 8F-1, No. 497,
Jhongming S. Rd., West Distrist,
Taichung City (TW), 403

(**) Term: **14 Years**

(21) Appl. No.: **29/227,398**

(22) Filed: **Apr. 11, 2005**

(51) **LOC (8) Cl.** **07-02**

(52) **U.S. Cl.** **D7/402**

(58) **Field of Classification Search** D7/332,
D7/334-337, 402-405; 126/25 R, 25 A,
126/25 AA, 25 B, 29-30, 41 R, 38, 37 R,
126/9 R, 40, 50, 304 R, 305; 99/419, 421 R,
99/444, 450; 312/140.1, 140.3, 236; 248/129;
108/44, 519

See application file for complete search history.

(56) **References Cited**

U.S. PATENT DOCUMENTS

D463,213 S * 9/2002 Pai D7/402
D474,070 S * 5/2003 McKenzie D7/402

D483,983 S * 12/2003 Harrod et al. D7/334
D486,033 S * 2/2004 Tseng D7/334
D488,025 S * 4/2004 Tseng D7/402
D497,284 S * 10/2004 Pai D7/402
D514,381 S * 2/2006 Chung D7/402

* cited by examiner

Primary Examiner—Ruth McInroy

(74) *Attorney, Agent, or Firm*—Charles E. Baxley

(57) **CLAIM**

I claim the ornamental design for a cover for barbecue grill,
as shown and described.

DESCRIPTION

FIG. 1 is a perspective view of a cover for barbecue grill,
showing my new design:

FIG. 2 is a front elevational view thereof;

FIG. 3 is a rear elevational view thereof;

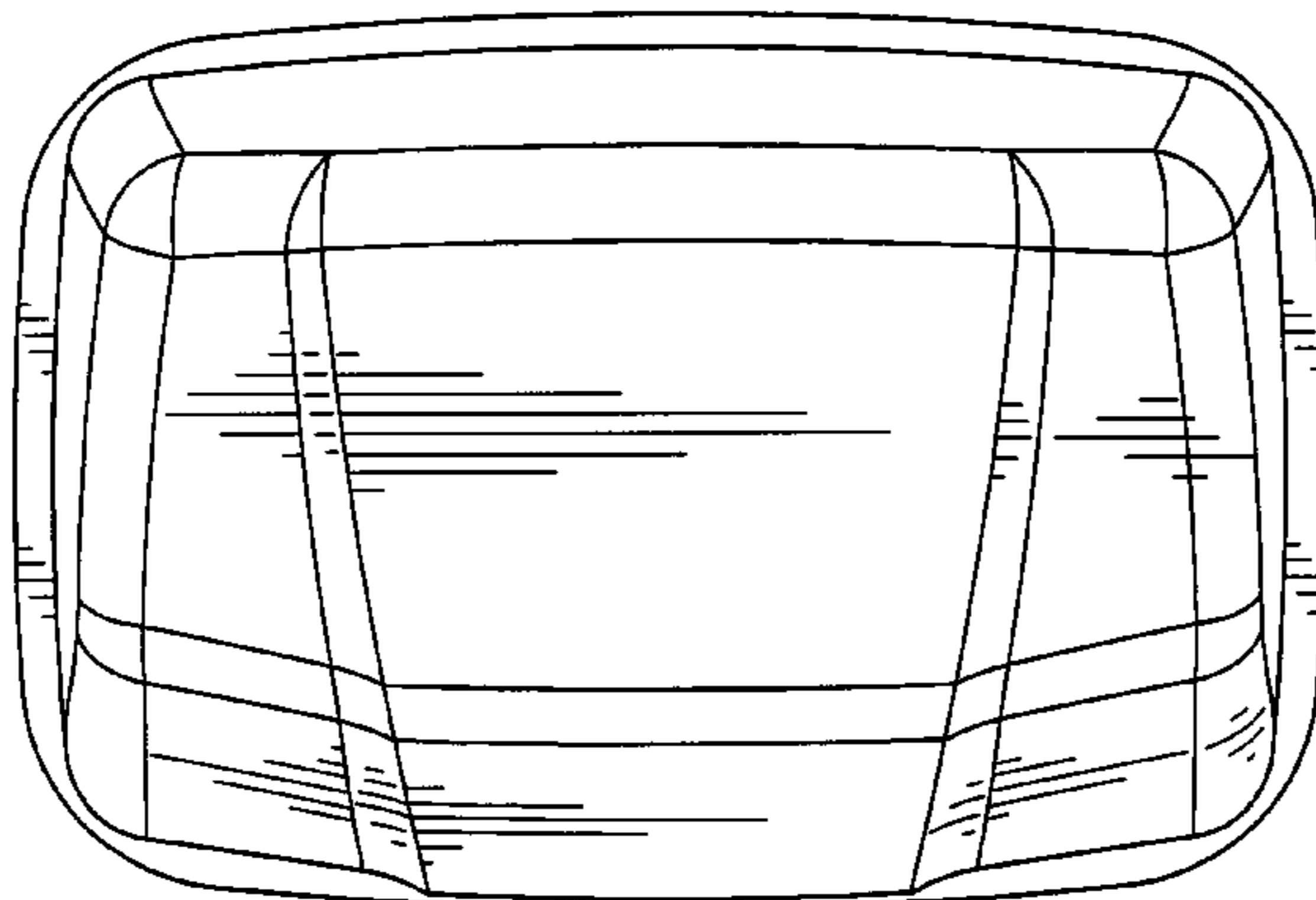
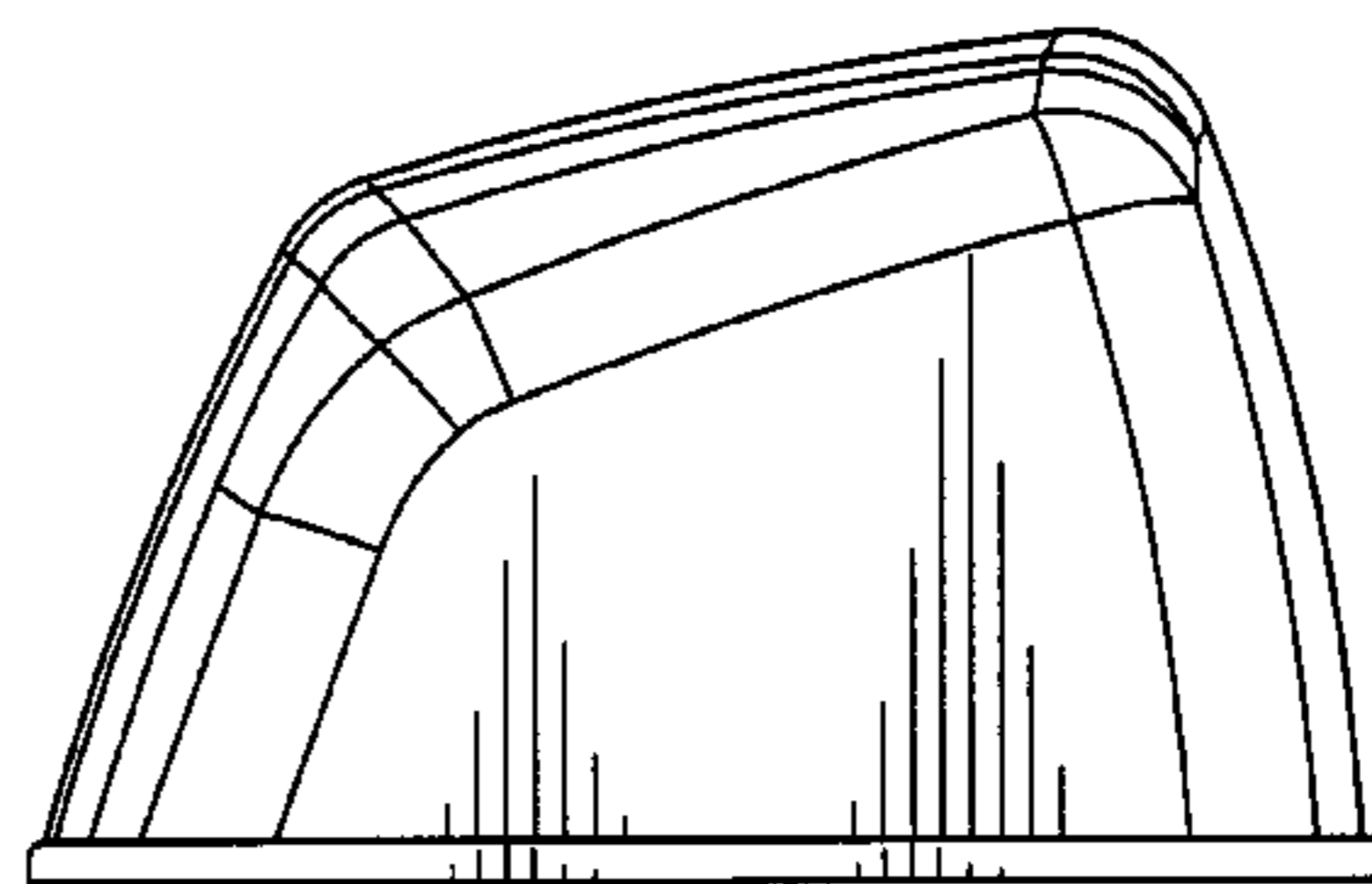
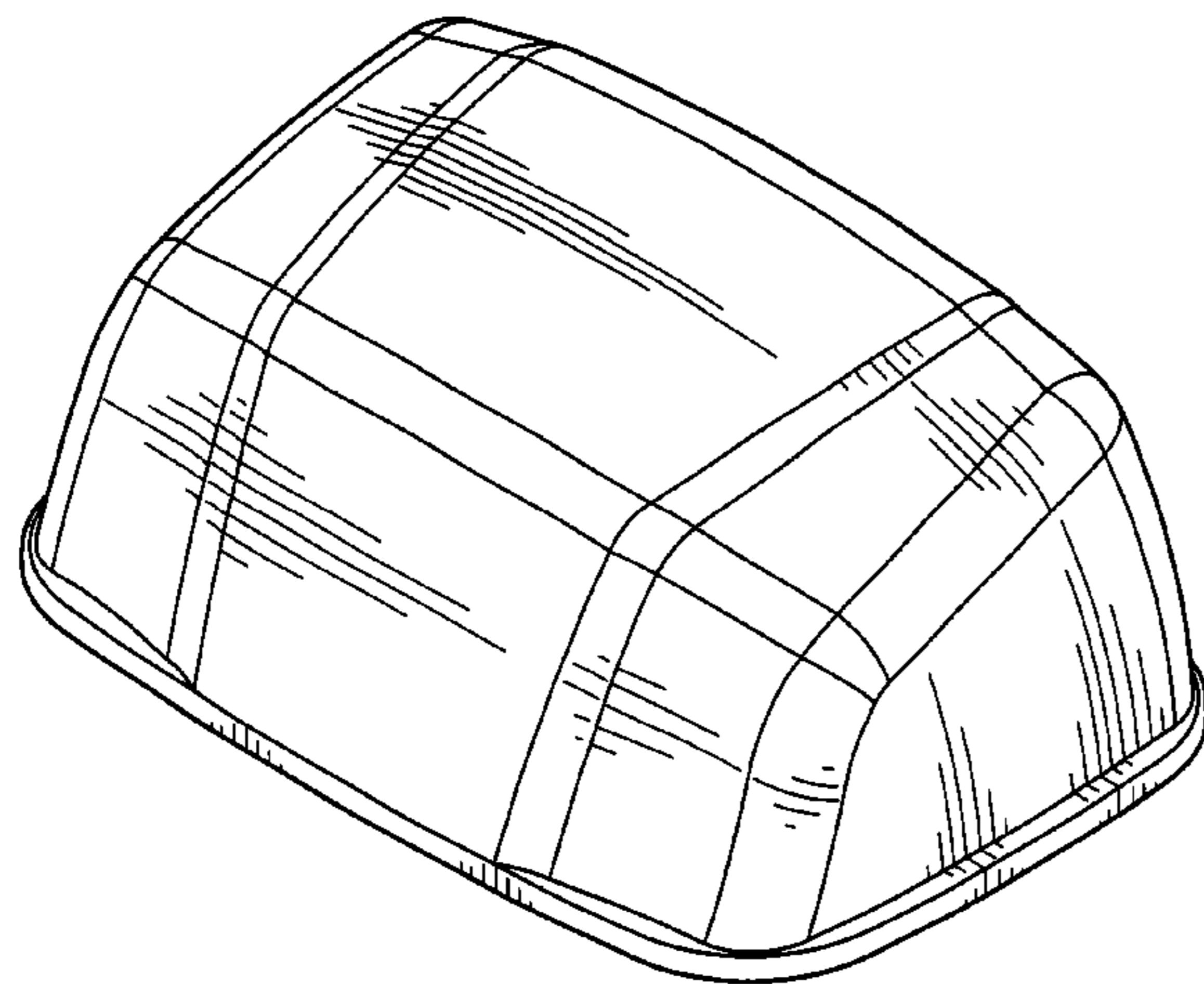
FIG. 4 is a left side elevational view thereof;

FIG. 5 is a right side elevational view thereof;

FIG. 6 is a top plan view thereof; and,

FIG. 7 is a bottom plan view thereof.

1 Claim, 7 Drawing Sheets



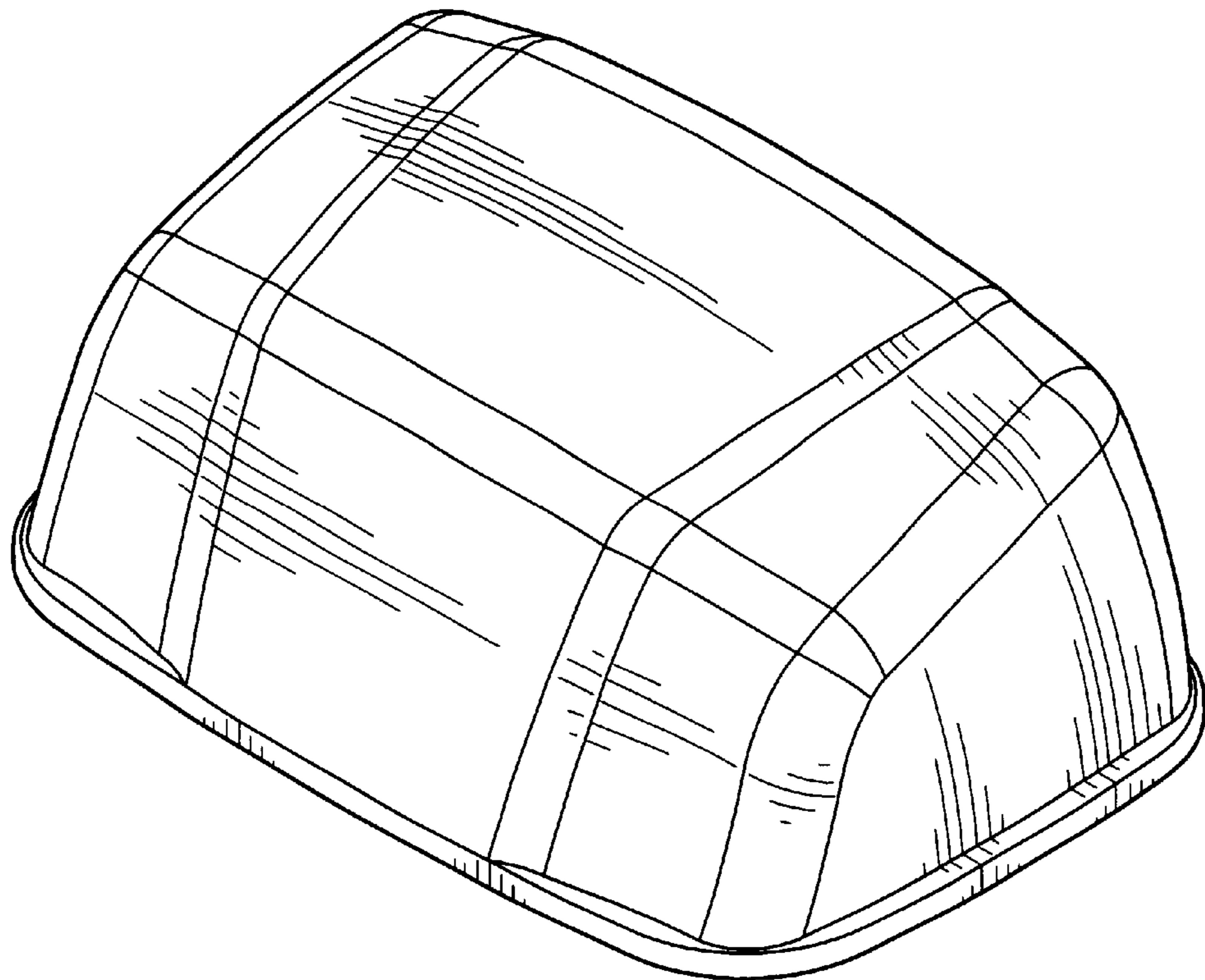


FIG. 1

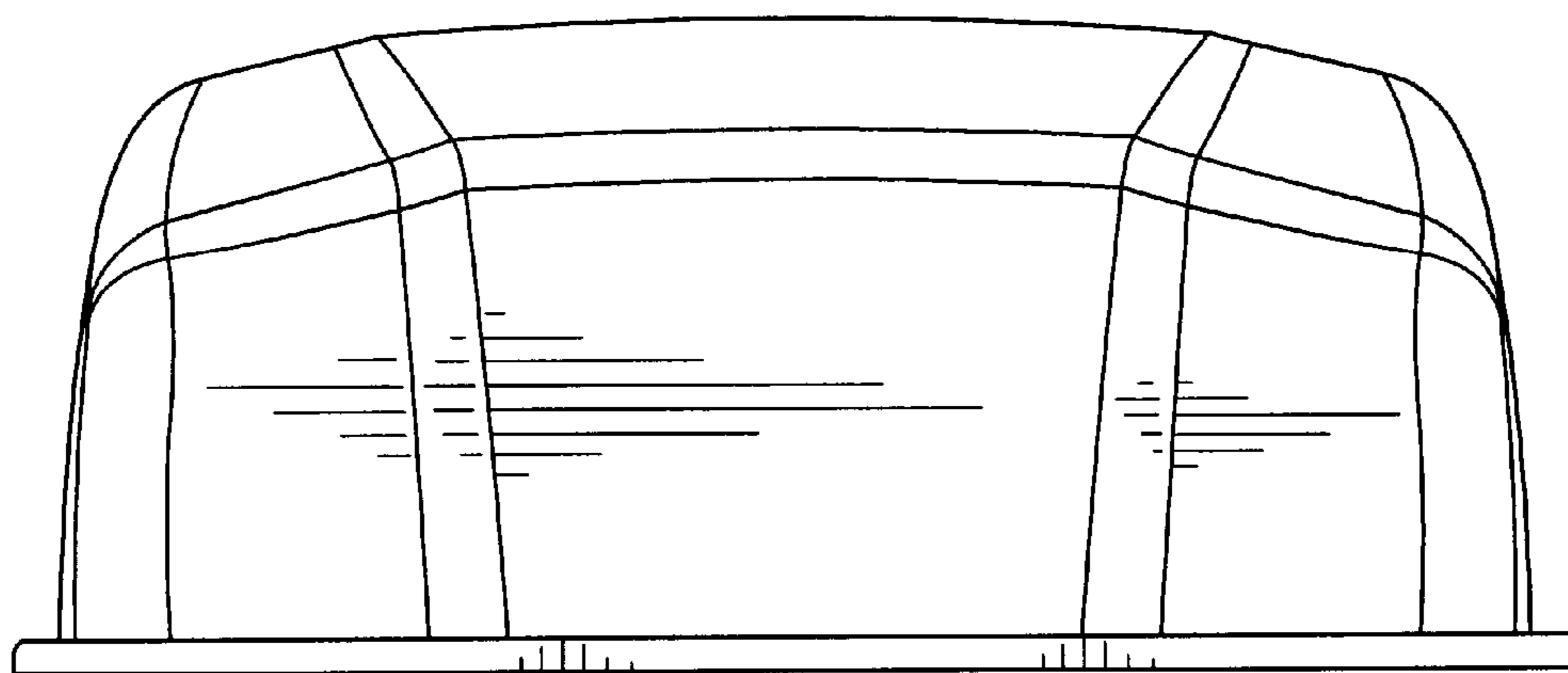


FIG. 2

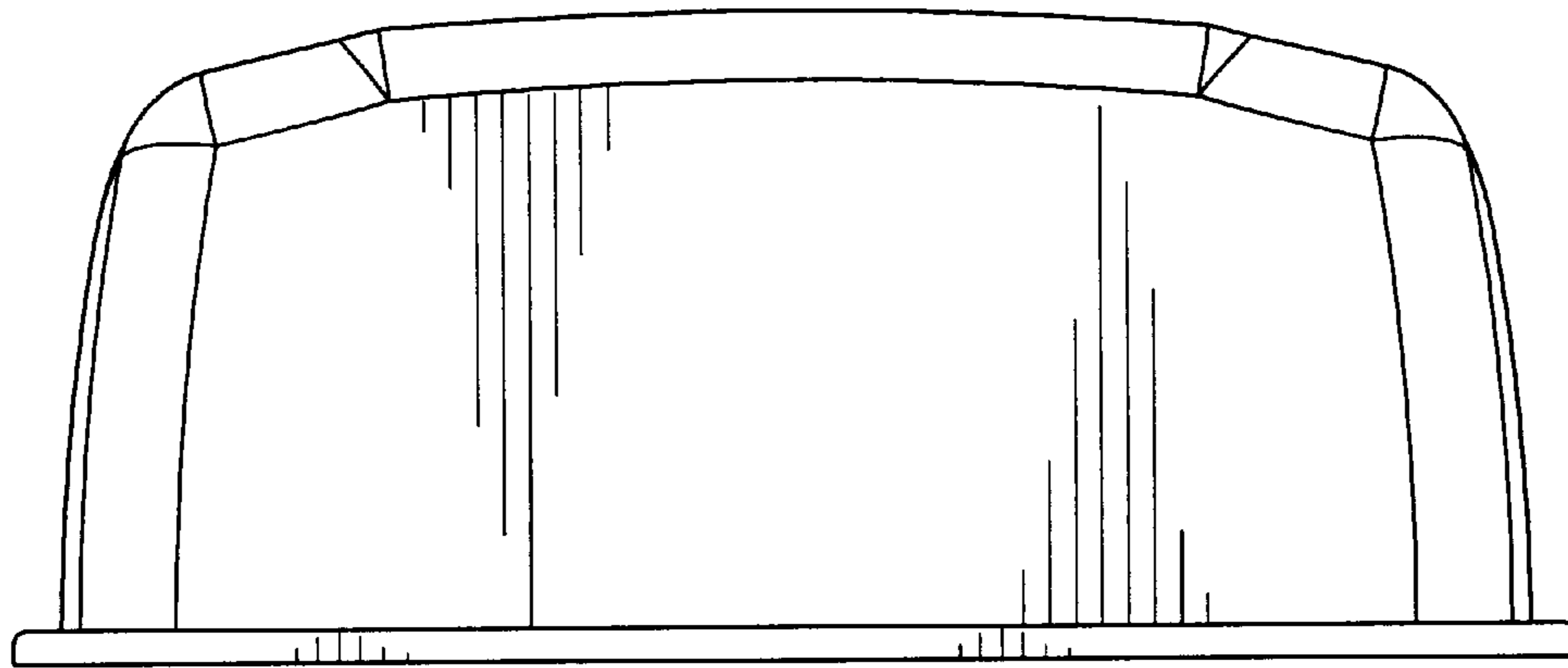


FIG. 3

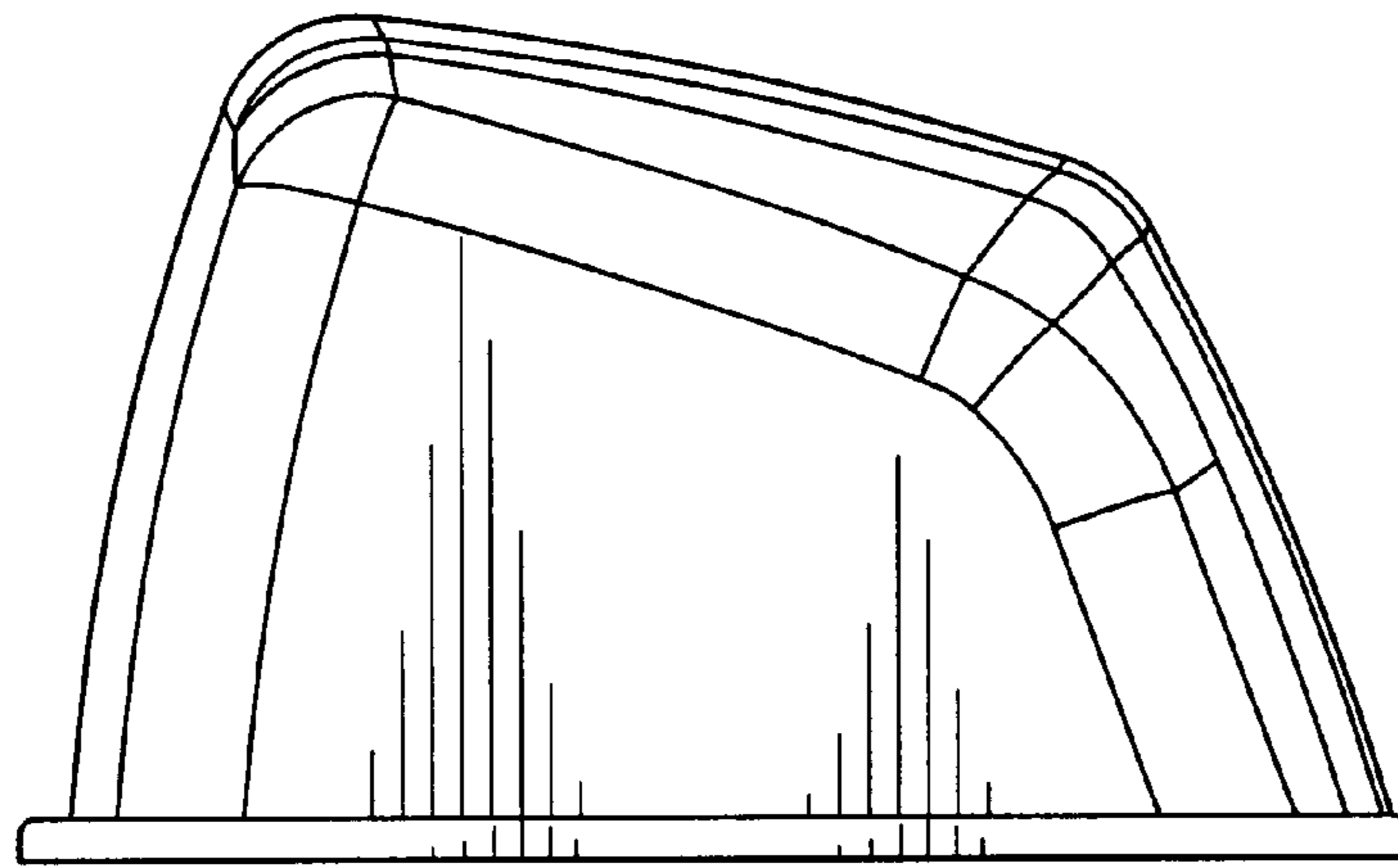


FIG. 4

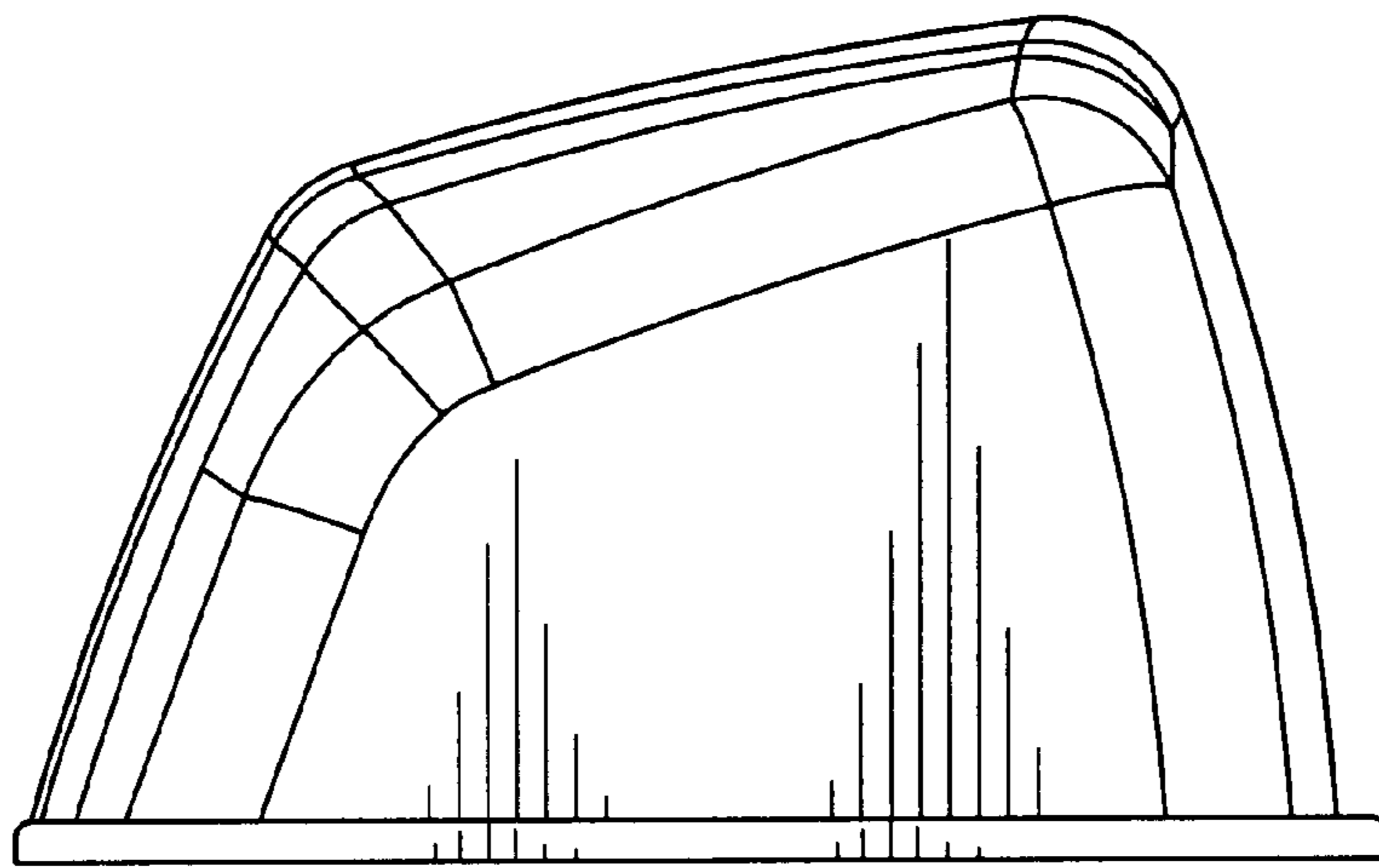


FIG. 5

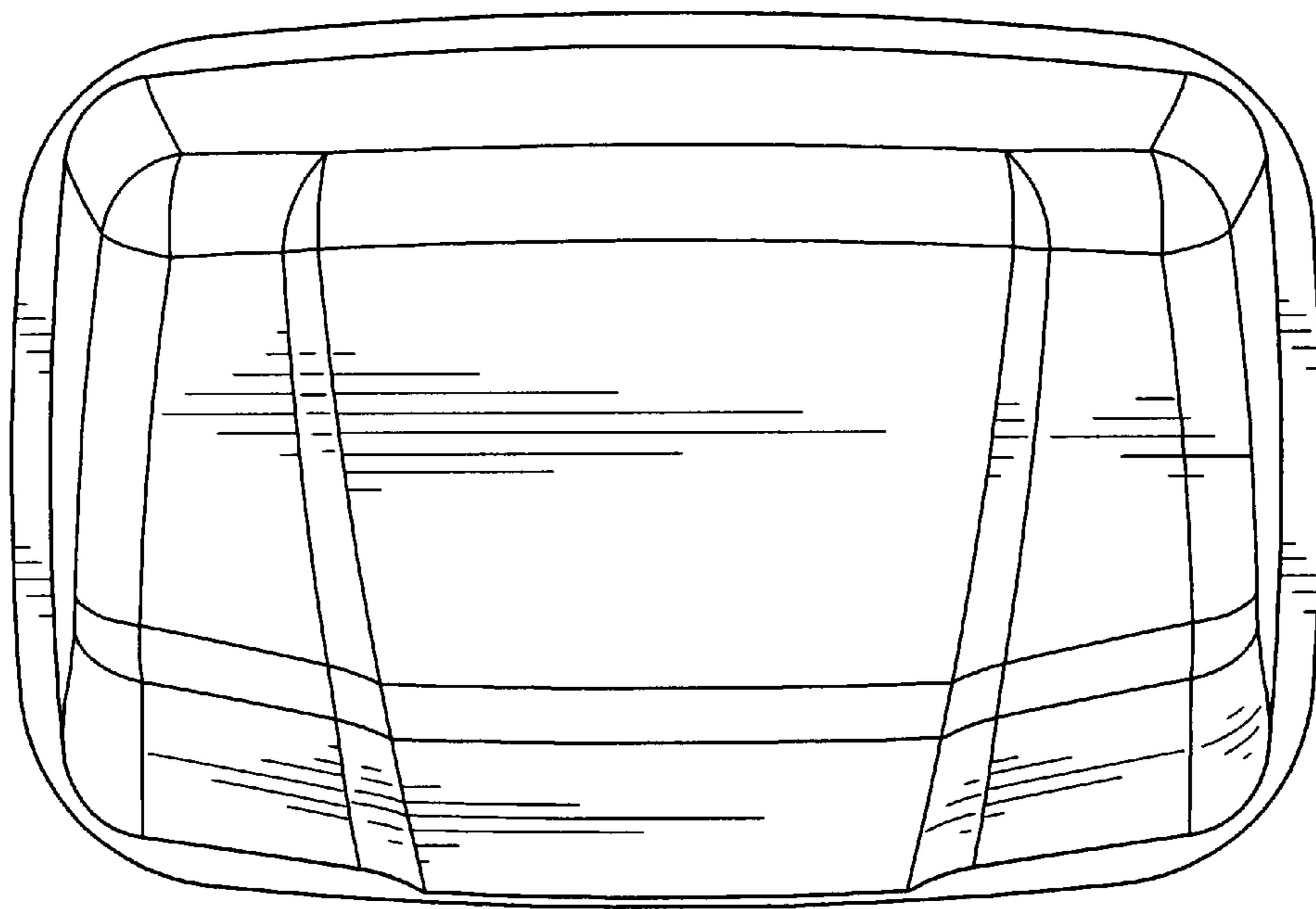


FIG. 6

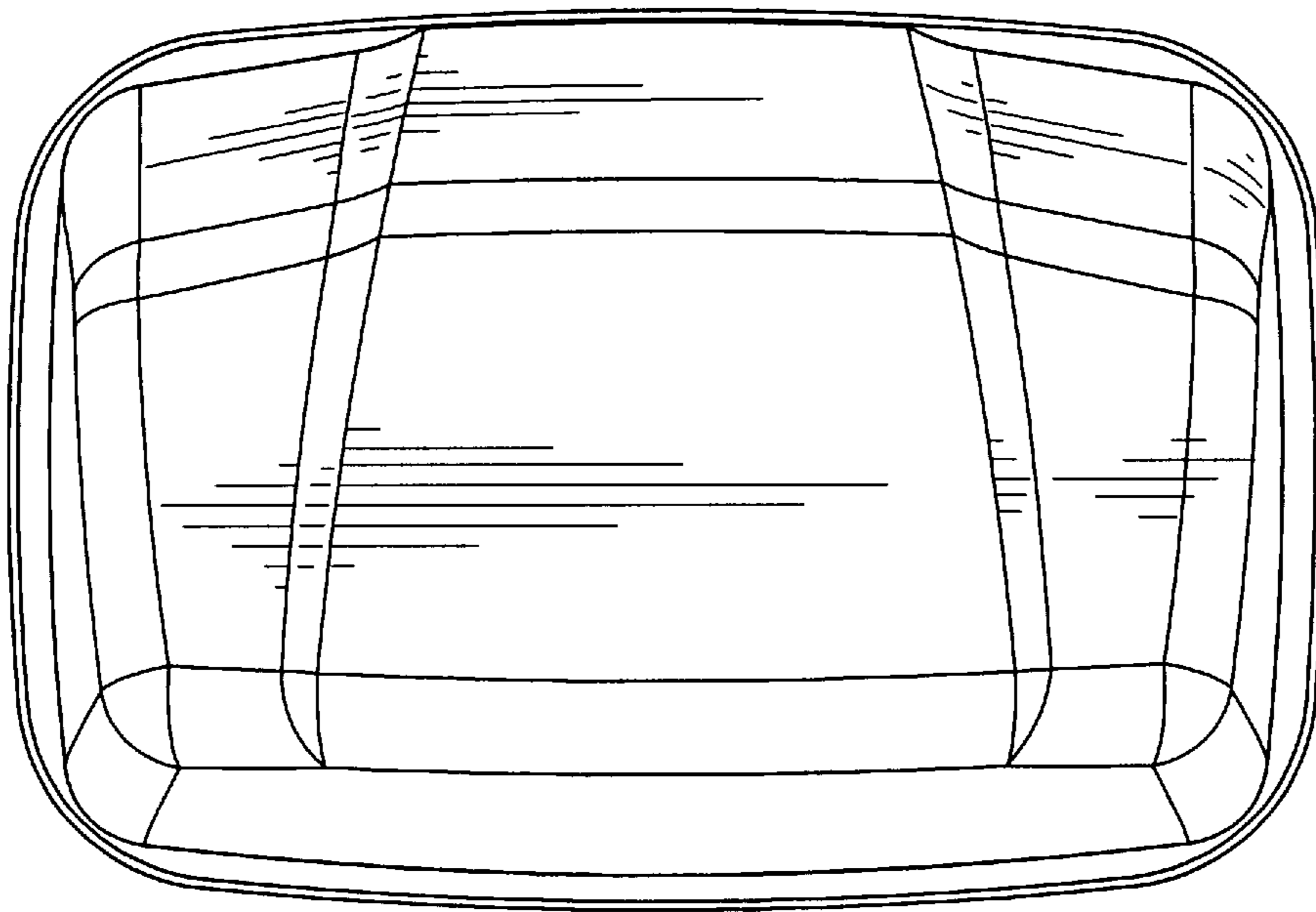


FIG. 7