



US00D526840S

(12) **United States Design Patent**
Carlson

(10) **Patent No.:** **US D526,840 S**

(45) **Date of Patent:** **** Aug. 22, 2006**

(54) **TRAY COVER**

(75) Inventor: **Arthur Richard Carlson**, Hawthorn East (AU)

(73) Assignee: **Décor Corporation Pty Ltd.**, Scoresby (AU)

(**) Term: **14 Years**

(21) Appl. No.: **29/231,292**

(22) Filed: **Jun. 2, 2005**

(51) **LOC (8) Cl.** **07-02**

(52) **U.S. Cl.** **D7/392.1**

(58) **Field of Classification Search** D7/317-319, D7/391-392.1, 396.2, 510-511, 610, 629; D9/429, 435, 440, 444, 447, 449-450, 454, D9/503-504; 215/211, 200, 224, 243; 220/523, 220/700-701, 703, 711, 713-715, 719
See application file for complete search history.

(56) **References Cited**

U.S. PATENT DOCUMENTS

D212,843 S	*	12/1968	Hart et al.	D9/452
3,690,902 A	*	9/1972	Dahl	426/115
D254,166 S	*	2/1980	Christian	D7/629
D270,322 S	*	8/1983	Daenen et al.	D7/629

4,874,083 A	*	10/1989	Antoni et al.	220/523
D307,227 S	*	4/1990	Sibilio et al.	D7/610
D373,704 S	*	9/1996	Doxey	D7/391
D417,847 S	*	12/1999	Rush et al.	D9/454
D427,846 S	*	7/2000	Hajwanie	D7/391
D450,580 S	*	11/2001	Littlejohn et al.	D9/429
D468,582 S	*	1/2003	Seager	D7/392.1
D487,210 S	*	3/2004	Isler et al.	D7/354
D496,832 S	*	10/2004	Ekhtebar	D7/610

* cited by examiner

Primary Examiner—Holly Baynham

Assistant Examiner—Cynthia M. Chin

(74) *Attorney, Agent, or Firm*—Meyerton, Hood, Kivlin, Kowert & Goetzel, P.C.; Eric B. Meyertons

(57) **CLAIM**

The ornamental design for a tray cover, as shown and described.

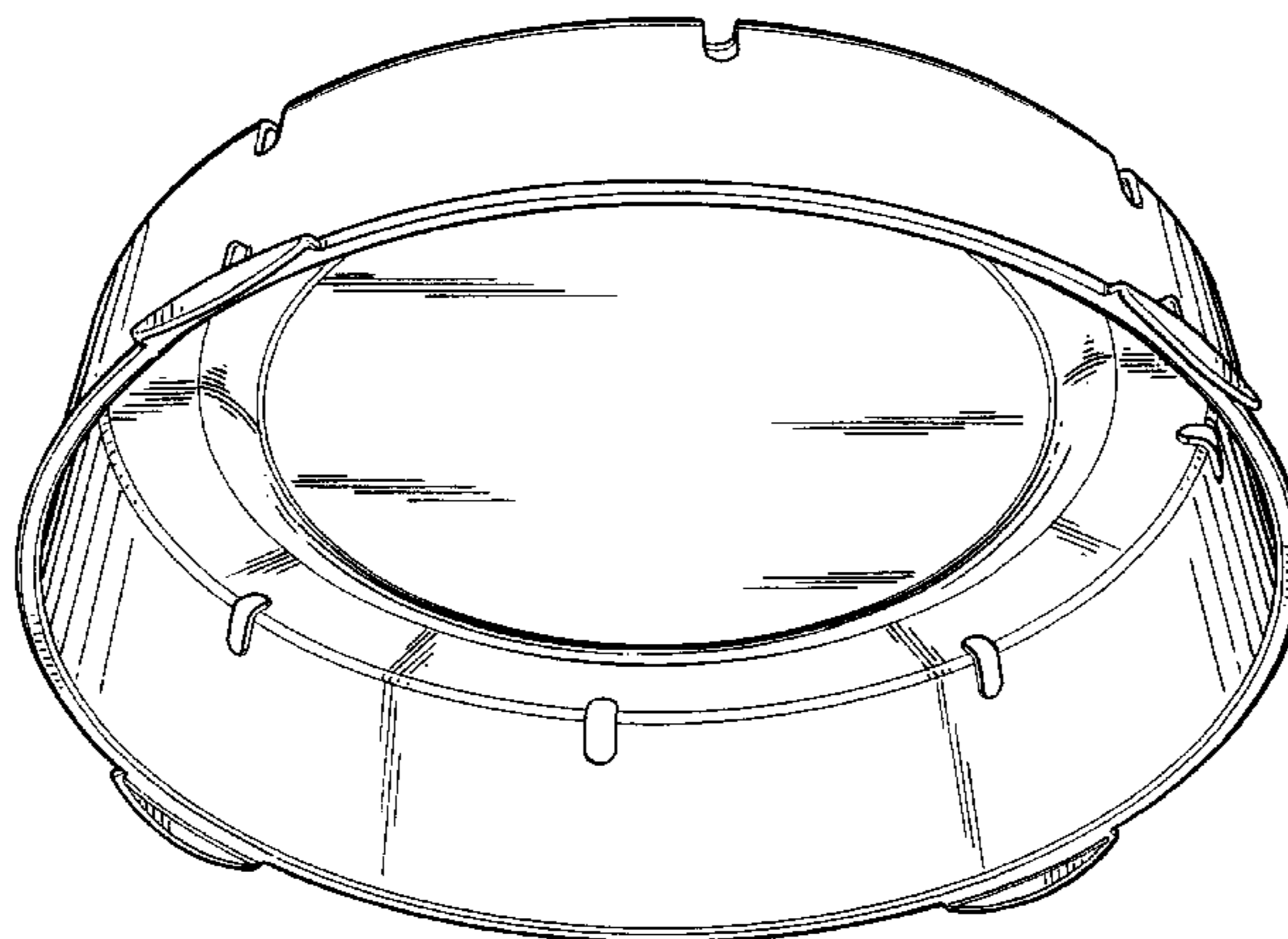
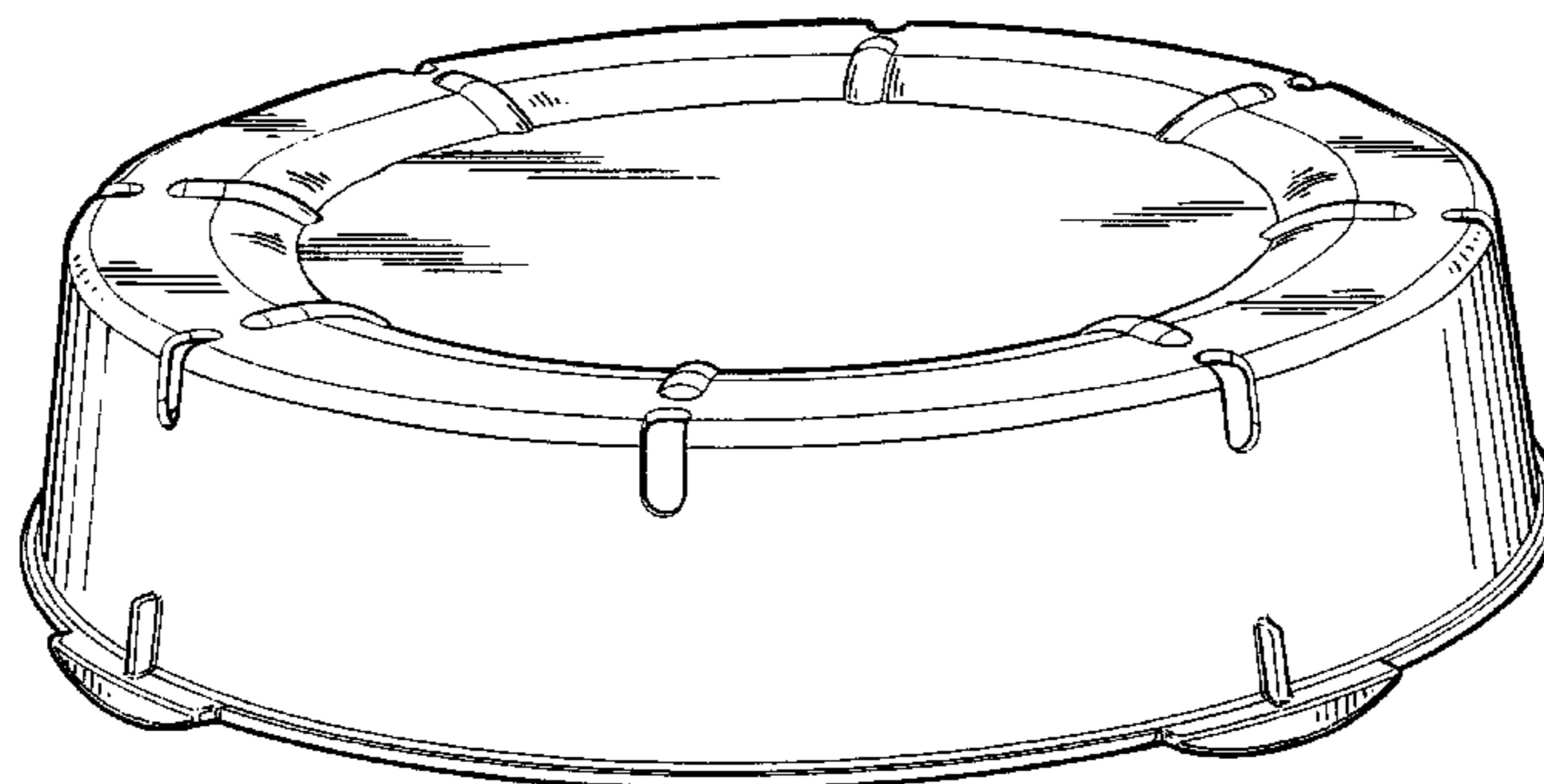
DESCRIPTION

FIG. 1 is a perspective view of a tray cover emphasizing the top of the tray cover.

FIG. 2 is a perspective view of the tray cover of FIG. 1 emphasizing the bottom of the tray cover.

FIG. 3 is a side view of the tray cover of FIG. 1; and, FIG. 4 is a top view of the tray cover of FIG. 1.

1 Claim, 2 Drawing Sheets



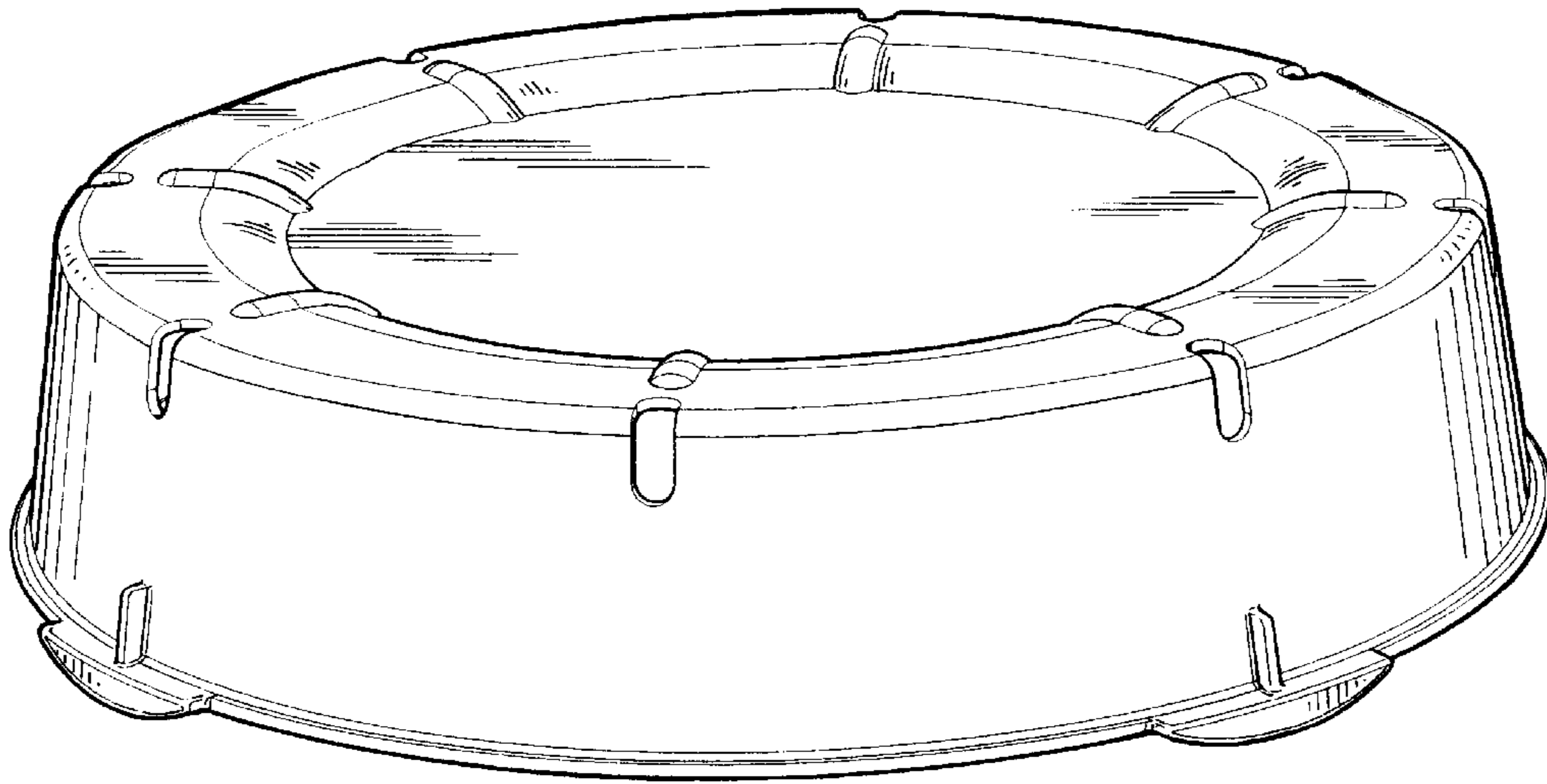


Fig. 1

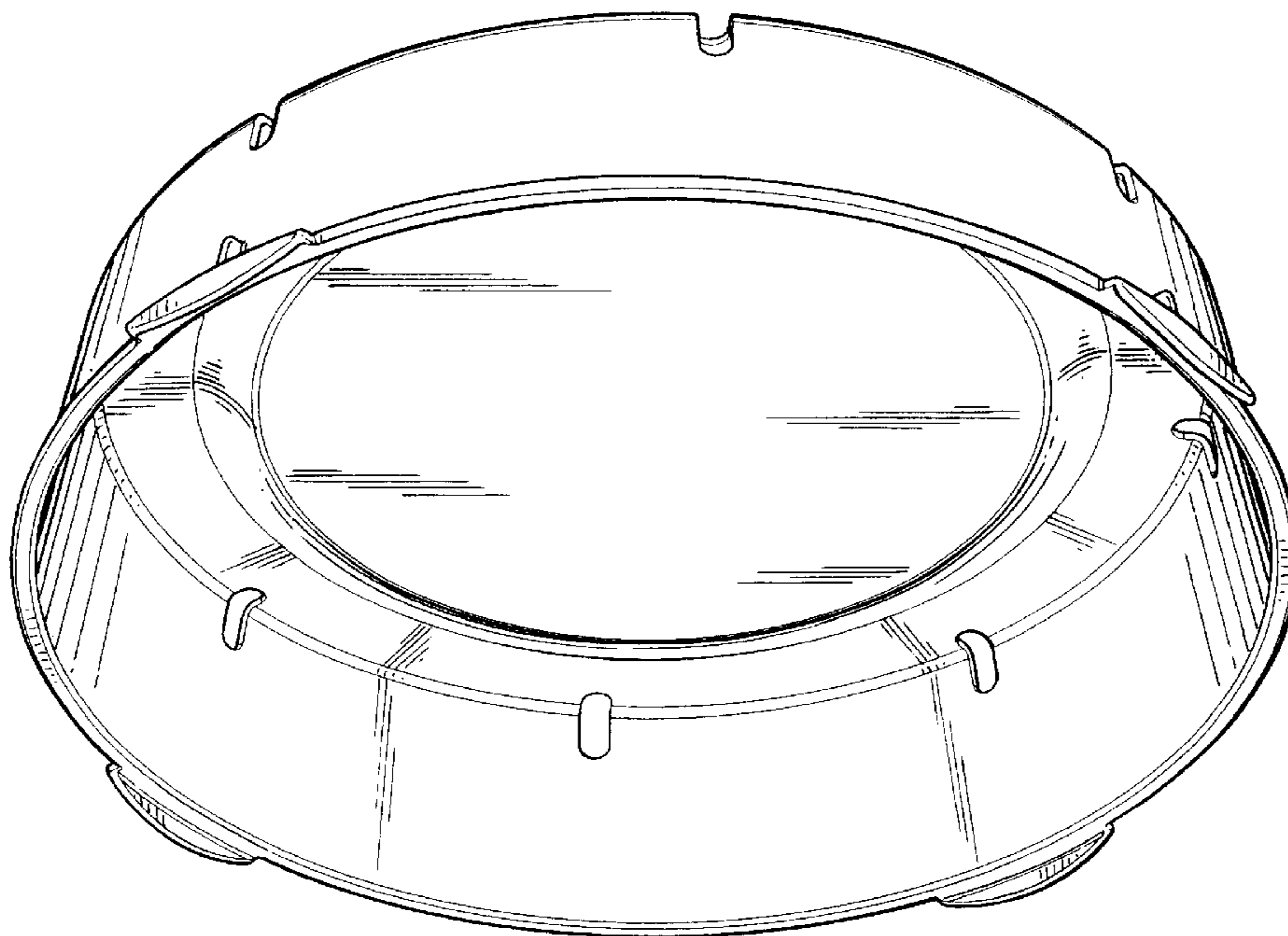


Fig. 2

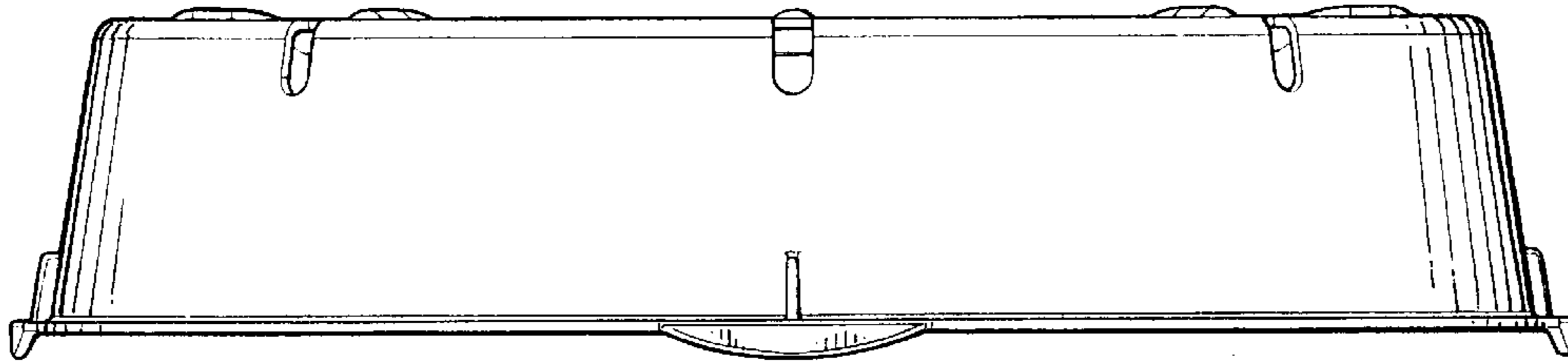


Fig. 3

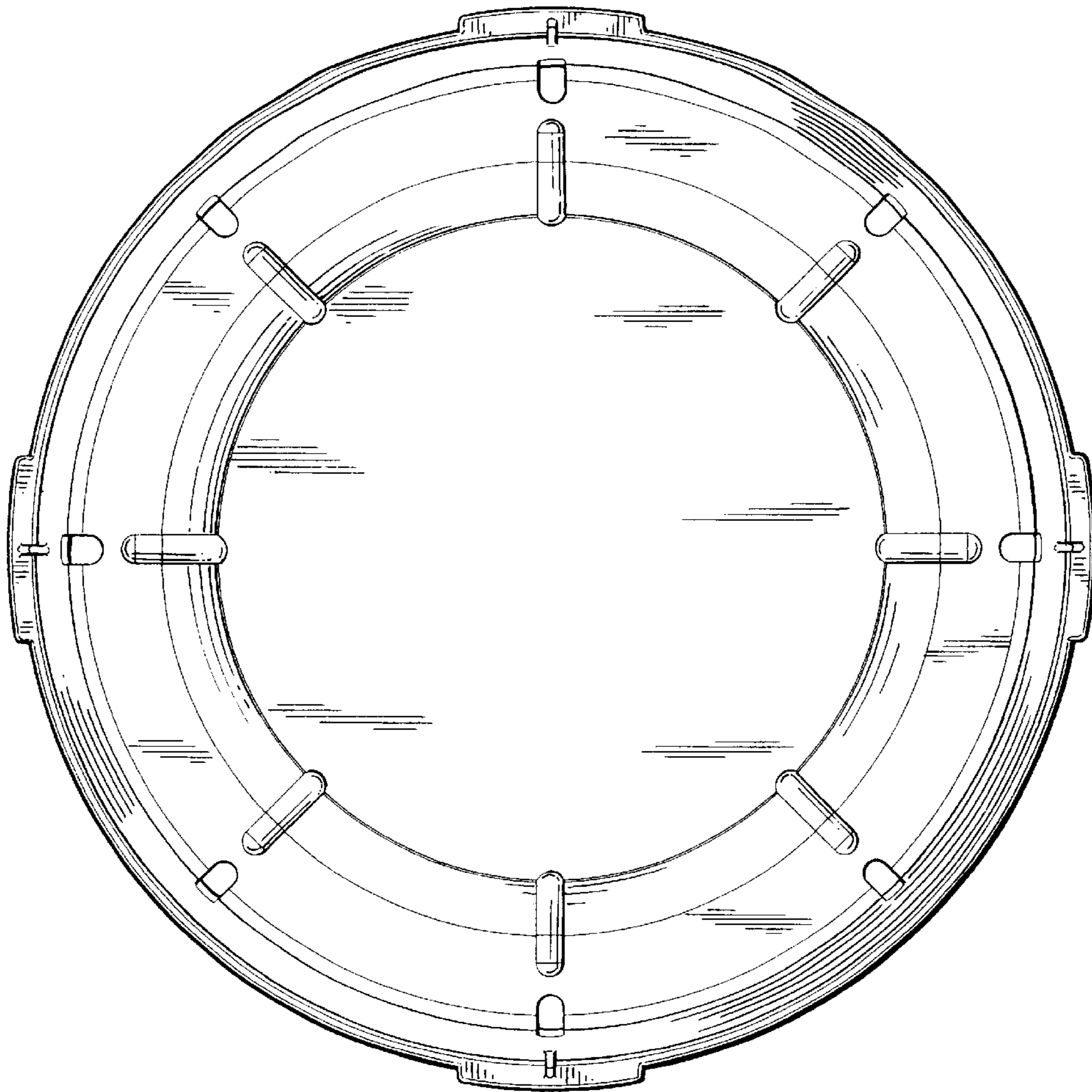


Fig. 4