



US00D526839S

(12) **United States Design Patent**  
**Boozer et al.**

(10) **Patent No.:** **US D526,839 S**

(45) **Date of Patent:** **\*\* Aug. 22, 2006**

(54) **LID FOR A PITCHER**

(75) Inventors: **Richard D. Boozer**, Wakeman, OH (US); **Robert M. Ulanski**, Broadview Heights, OH (US)

(73) Assignee: **Vita-Mix Corporation**, Cleveland, OH (US)

(\*\*) **Term:** **14 Years**

(21) Appl. No.: **29/229,644**

(22) Filed: **May 11, 2005**

(51) **LOC (8) Cl.** ..... **07-02**

(52) **U.S. Cl.** ..... **D7/392**

(58) **Field of Classification Search** ..... D7/317-319, D7/391-392.1, 396.2, 510-511, 629; D9/435, D9/440, 444, 447, 449-450, 454, 503-504; 215/211, 200, 224, 243; 220/700, 701, 703, 220/711, 713-715, 719

See application file for complete search history.

(56) **References Cited**

**U.S. PATENT DOCUMENTS**

D176,258 S	12/1955	Hill et al. ....	D7/391
2,733,052 A	1/1956	Barnard et al. ....	220/254 X
D204,117 S	3/1966	Di Sesa .....	D7/378
D207,692 S	5/1967	Dykes .....	D7/378 X
D227,541 S	* 7/1973	Himmel .....	D7/412
D228,698 S	10/1973	Barnard, Jr. et al. ....	D7/378
D232,297 S	8/1974	Mantelet .....	D7/378
D248,373 S	* 7/1978	Allen .....	D9/503
D272,323 S	* 1/1984	Bainton .....	D9/438
D336,590 S	6/1993	Barnard .....	D7/378
D345,488 S	3/1994	Barnard et al. ....	D7/412
D353,521 S	* 12/1994	Booten .....	D7/629
D366,418 S	* 1/1996	Lown et al. ....	D9/449
D374,590 S	* 10/1996	Ahern, Jr. ....	D7/392.1
D383,041 S	* 9/1997	McGill .....	D7/629
D407,979 S	* 4/1999	Zemlo .....	D9/454
D412,639 S	* 8/1999	Demore .....	D7/391
D429,956 S	8/2000	Bohannon et al. ....	D7/413
D435,192 S	12/2000	Bohannon, Jr. et al. ....	D7/413

D480,915 S	10/2003	Kolar et al. ....	D7/413
D481,258 S	10/2003	Brady et al. ....	D7/412
D495,925 S	9/2004	Ulanski et al. ....	D7/412
D500,444 S	* 1/2005	Drake et al. ....	D9/503
6,854,876 B1	2/2005	Dickson, Jr. ....	366/205

**OTHER PUBLICATIONS**

“Bar and Restaurant Customer Catalog”, Oster Professional Products Dept., Milwaukee, Wisconsin, 6 pages (1986).

“Vita-Mix Presents”, Vita-Mix Corporation, Cleveland, Ohio, 1 page (1991).

“Hamilton Beach”, Hamilton Beach Commercial, Glen Allen, Virginia, 14 pages (Aug. 1998).

“Model 990 1 Gallon Blender”, Hamilton Beach Commercial, Glen Allen, Virginia, 2 pages (Nov. 1992).

“Vita-prep™ The Professional Chef’s Power Tool”, Vita-Mix Corporation, Cleveland, Ohio, 4 pages (May 1998).

Vita-Pro®—The Difference is Clear, Vita-Mix Corporation, Cleveland, Ohio, 2 pages (Jul. 2001).

(Continued)

*Primary Examiner*—Holly Baynham

*Assistant Examiner*—Cynthia M. Chin

(74) *Attorney, Agent, or Firm*—Renner, Kenner, Greive, Bobak, Taylor & Weber

(57) **CLAIM**

The ornamental design for a lid for a pitcher, as shown and described.

**DESCRIPTION**

FIG. 1 is a top, front, right side perspective view of a lid for a pitcher showing our new design;

FIG. 2 is a bottom, rear perspective view thereof;

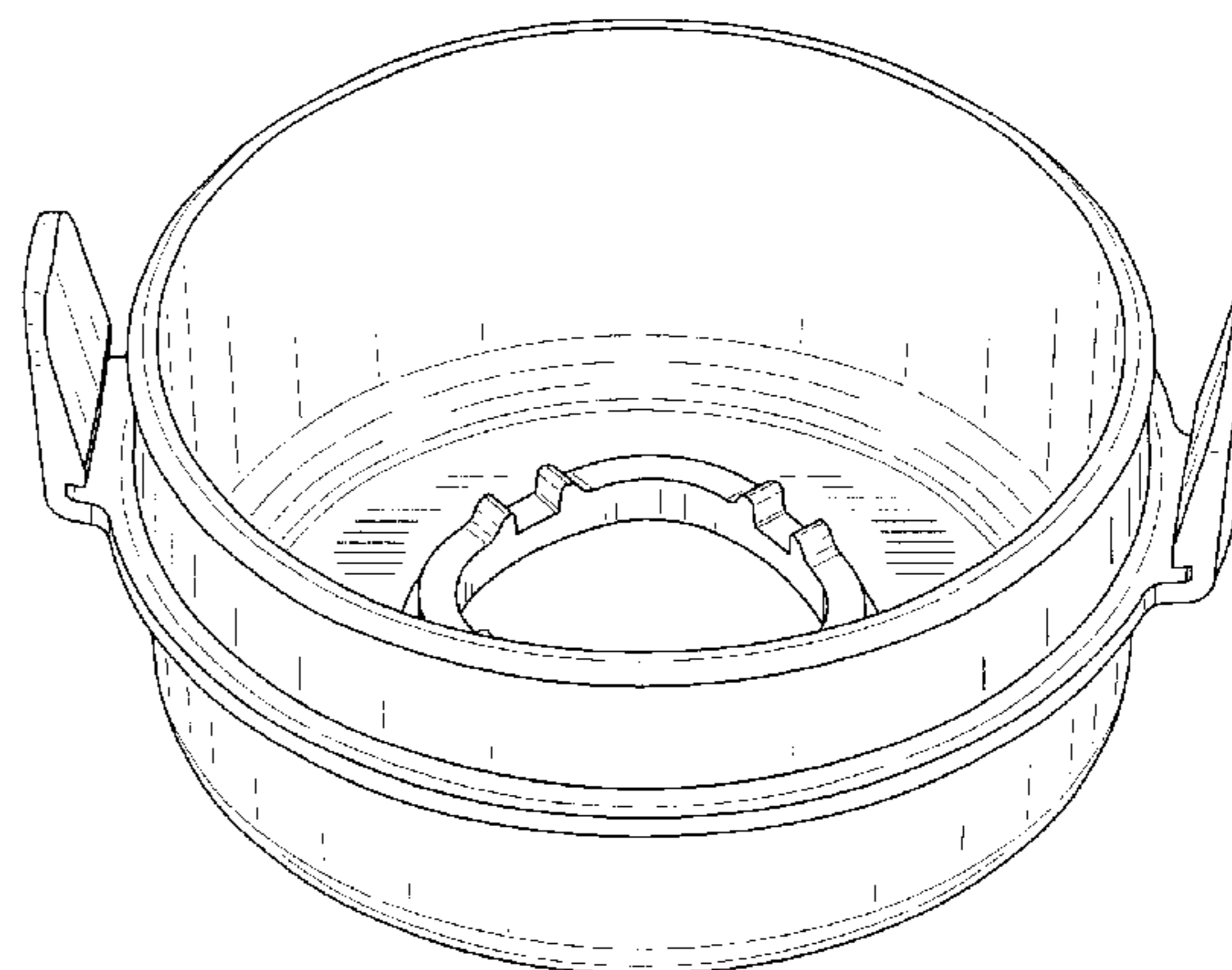
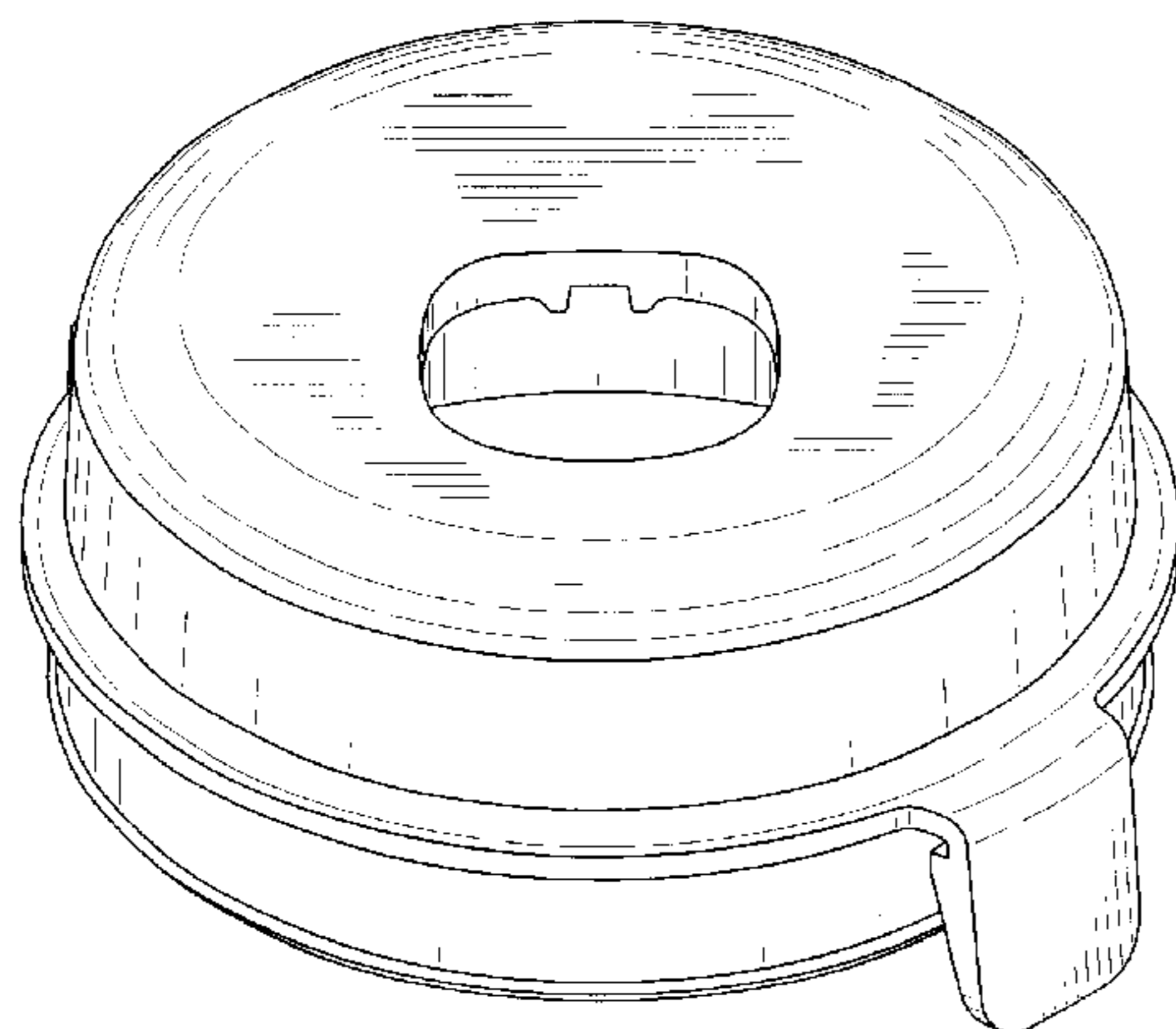
FIG. 3 is a top plan view thereof;

FIG. 4 is a bottom plan view thereof;

FIG. 5 is a left side elevational view thereof; the right side elevational view being a mirror image thereof; and,

FIG. 6 is a front elevational view thereof; the rear elevational view being a mirror image thereof.

**1 Claim, 3 Drawing Sheets**



OTHER PUBLICATIONS

“Frozen Drinks As Simple As 1–2–3”, Vita–Mix Corporation, Cleveland, Ohio, 6 pages (Oct. 2002).

“Finally, A Boss That Flips Itself Off.”, Vita–Mix Corporation, Cleveland, Ohio, 4 pages (Nov. 2002).

“What *more* can the world’s best blender offer? More *quiet.*”, Vita–Mix Corporation, Cleveland, Ohio, 3 pages (Apr. 1998).

“Get Trim & Fit Fast”, Vita–Mix Corporation, Cleveland, Ohio 9 pages (Jan. 1999).

\* cited by examiner

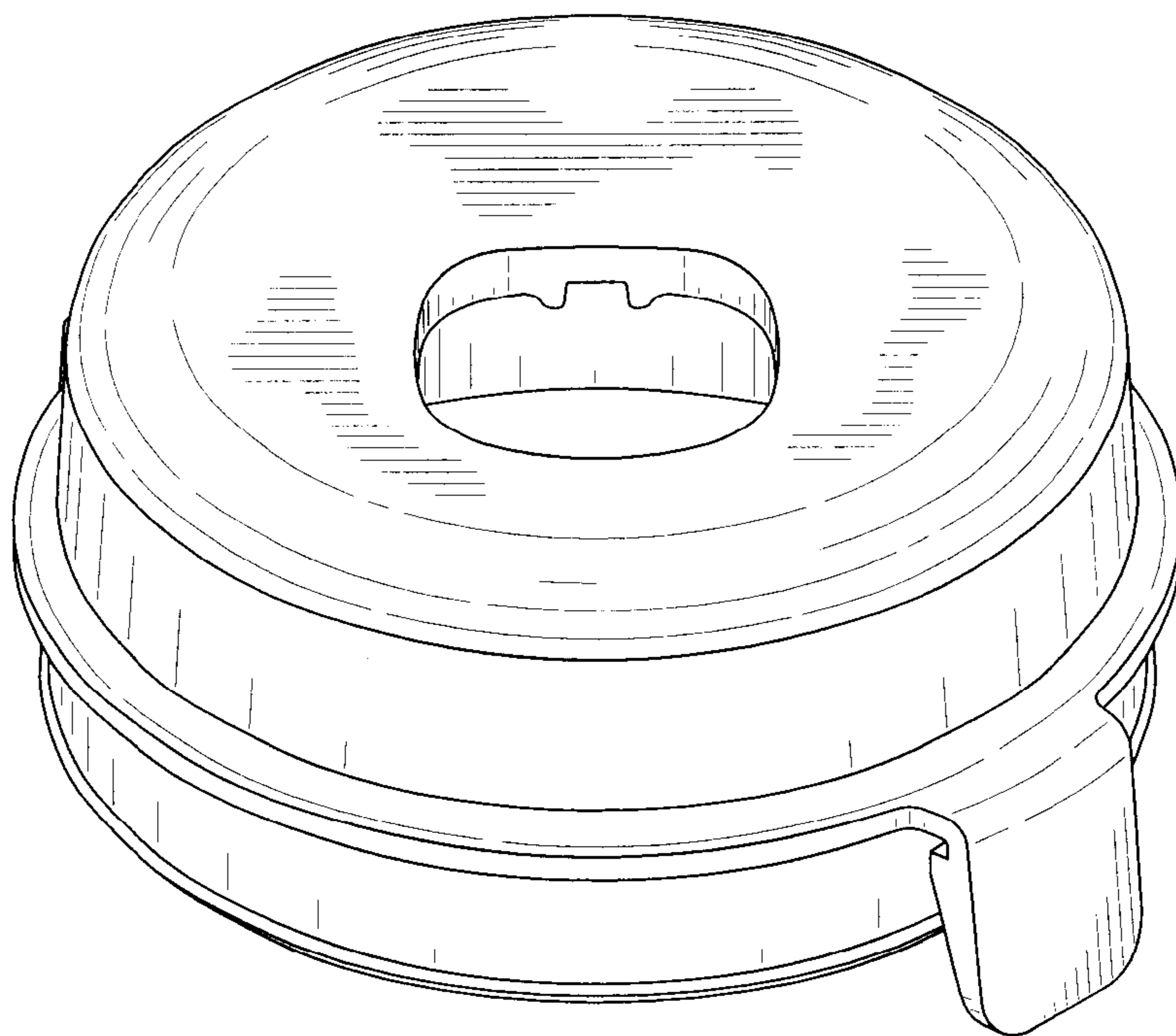


FIG-1

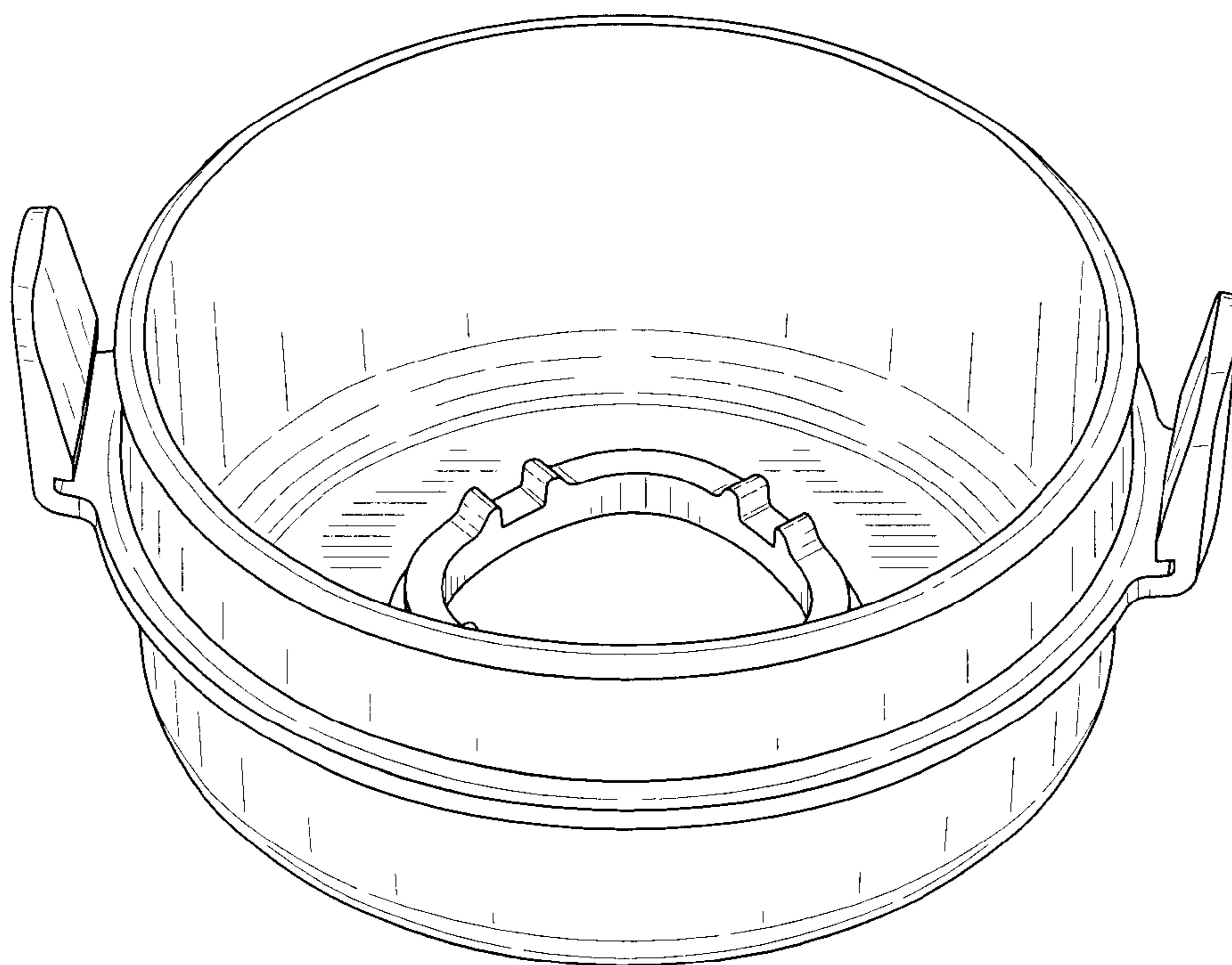


FIG-2



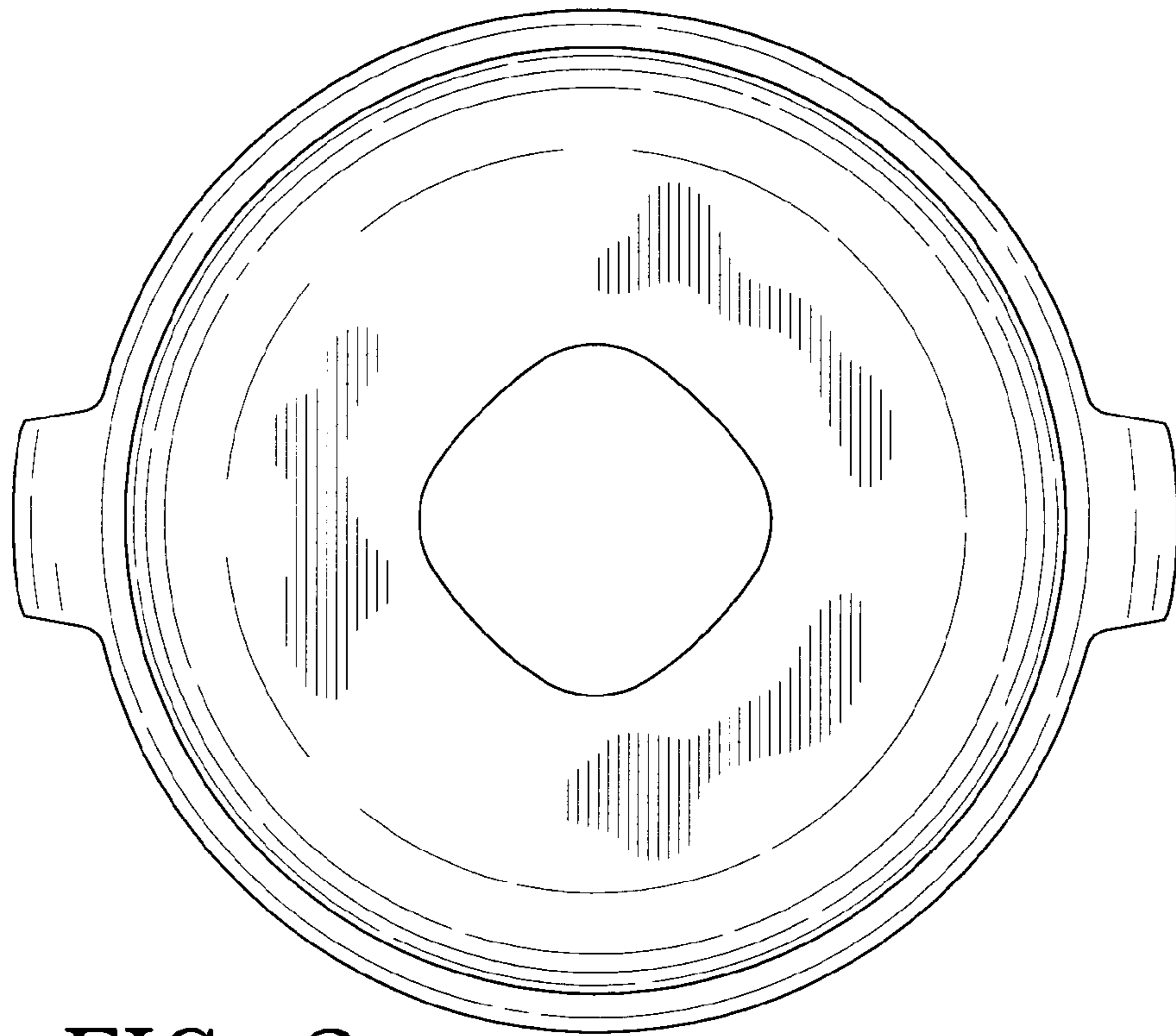


FIG-3

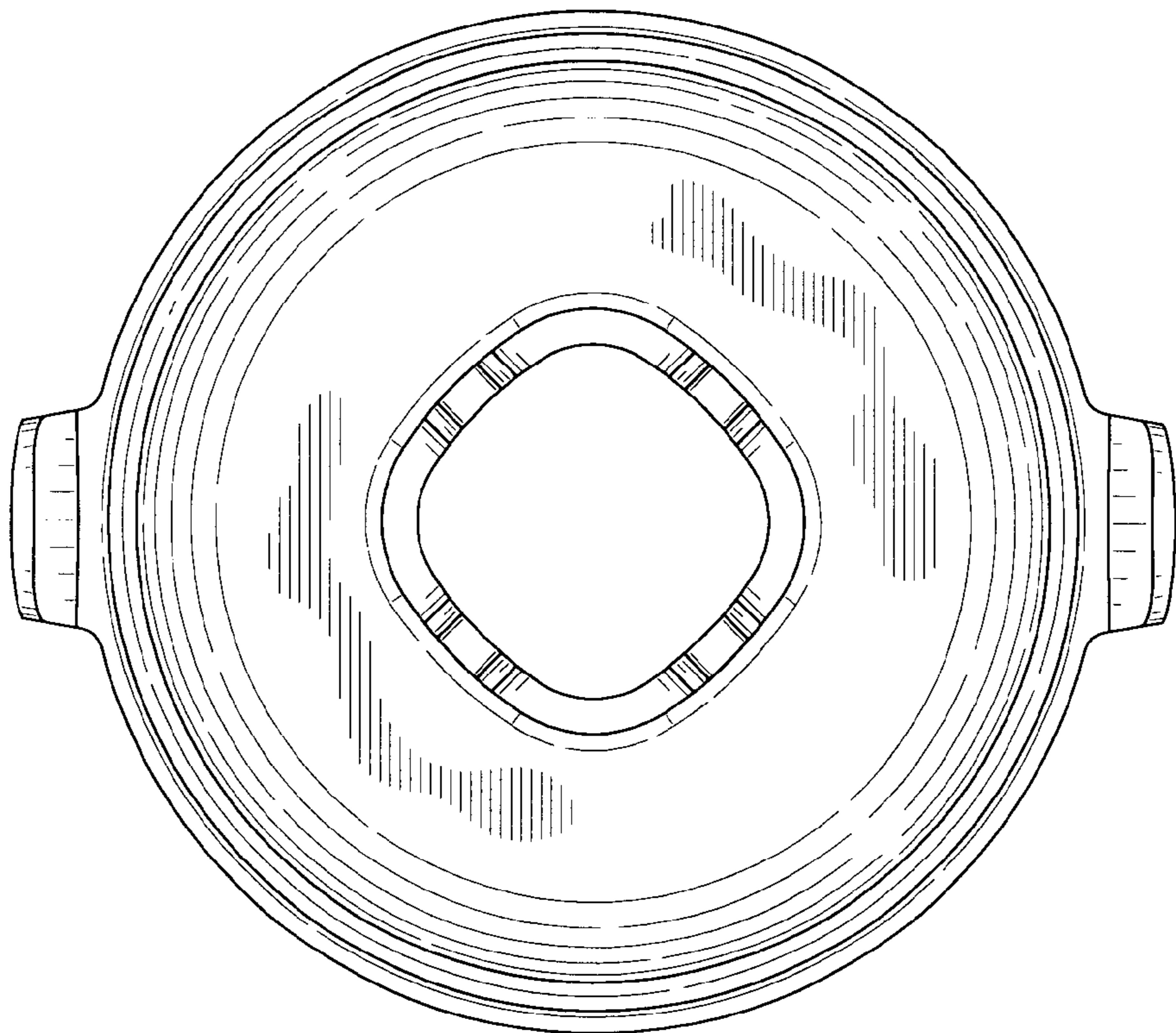


FIG-4

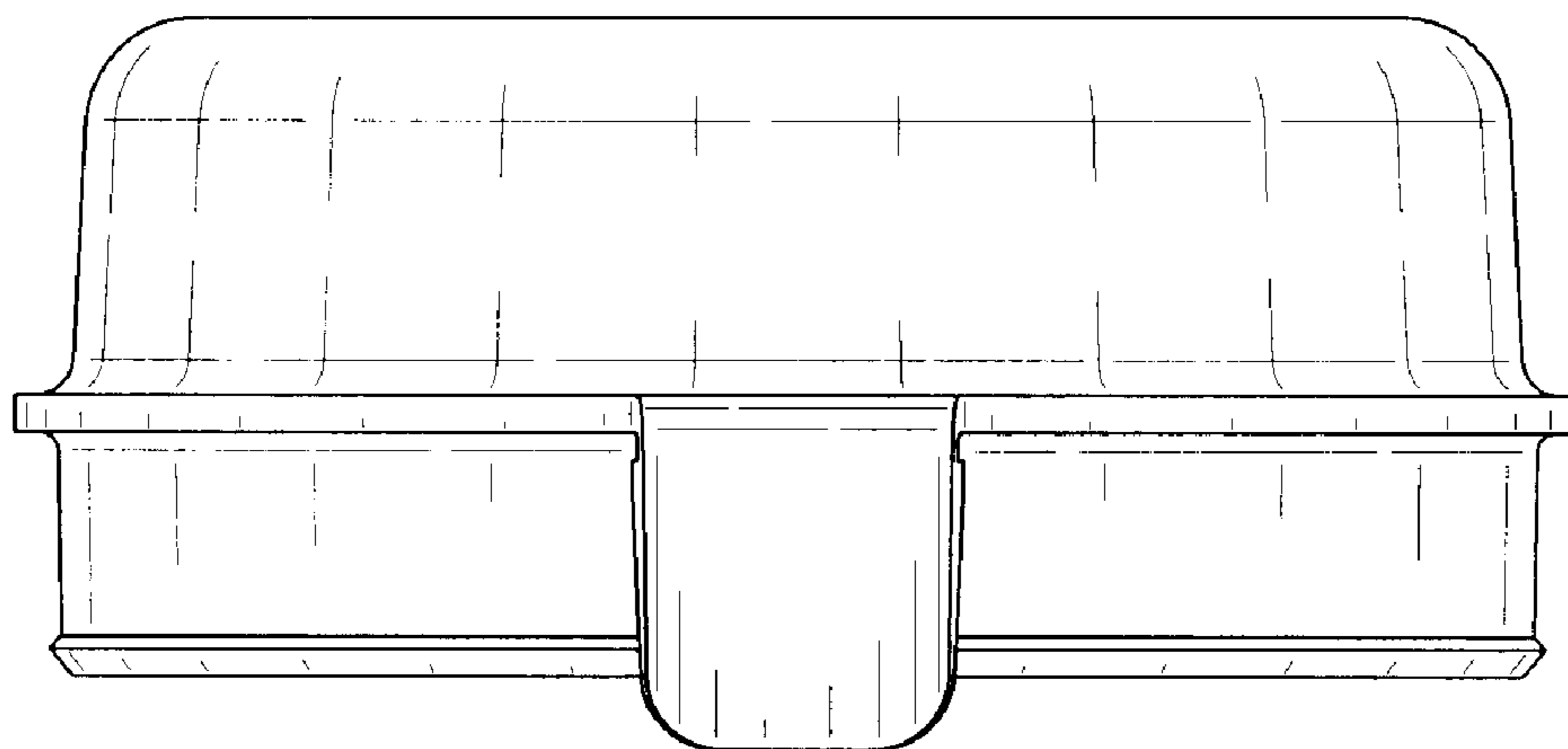


FIG-5

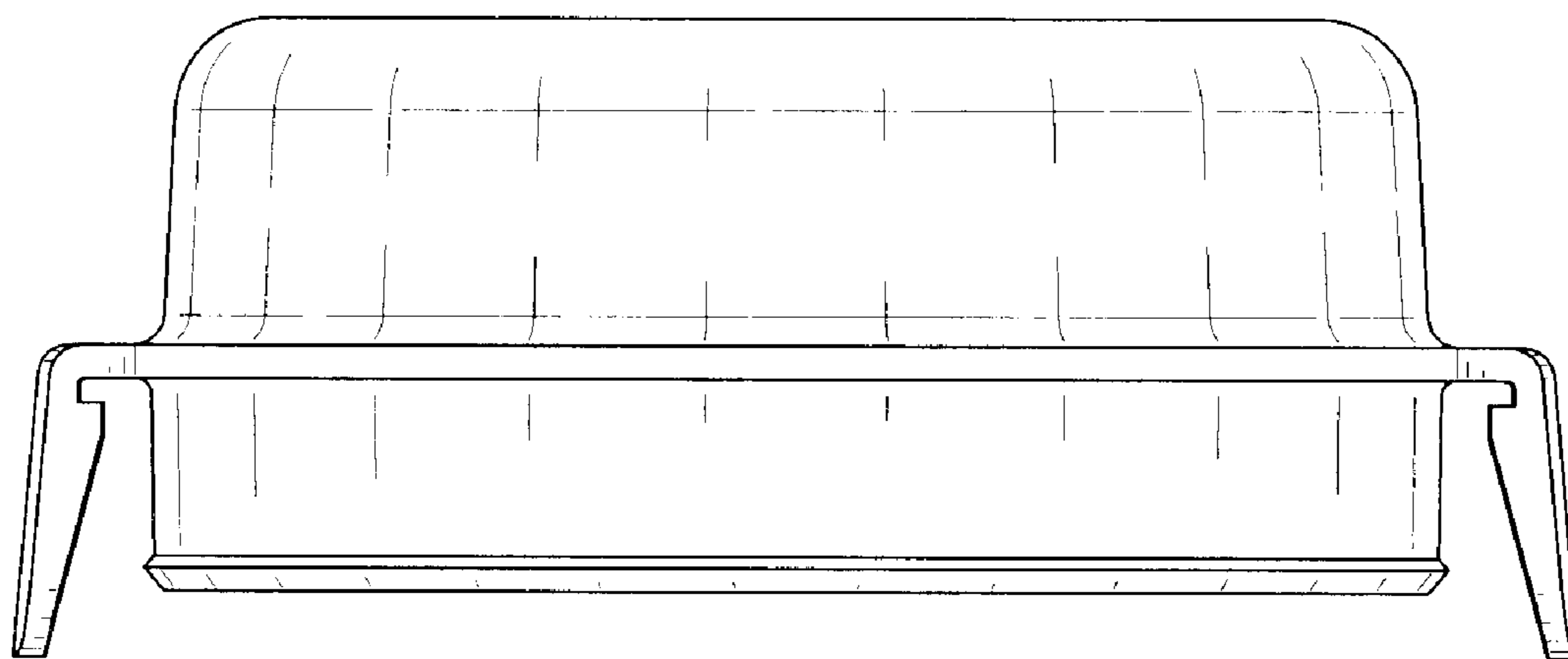


FIG-6