



US00D526832S

(12) **United States Design Patent**
Chiang

(10) **Patent No.:** **US D526,832 S**

(45) **Date of Patent:** **** Aug. 22, 2006**

(54) **BARBECUE GRILL**

(76) **Inventor:** **Chih-Ming Chiang**, 7th Fl., No. 25,
Lane 33, Sec. 2, Hsing an Rd.,
Taichung (TW)

(**) **Term:** **14 Years**

(21) **Appl. No.:** **29/226,296**

(22) **Filed:** **Mar. 29, 2005**

(51) **LOC (8) Cl.** **07-02**

(52) **U.S. Cl.** **D7/332**

(58) **Field of Classification Search** D7/332,
D7/334-337, 402-405; 126/25 R, 25 A,
126/25 AA, 25 B, 29-30, 41 R, 38, 37 R,
126/9 R, 40, 50, 304 R, 305; 99/419, 421 R,
99/444, 450; 312/140.1, 140.3, 236; 248/129;
108/44, 519

See application file for complete search history.

(56) **References Cited**

U.S. PATENT DOCUMENTS

| | | | | | |
|------------|---|--------|--------|-------|--------|
| D295,135 S | * | 4/1988 | Ogden | | D7/334 |
| D356,924 S | * | 4/1995 | Pai | | D7/334 |
| D381,860 S | * | 8/1997 | Chiang | | D7/334 |
| D420,242 S | * | 2/2000 | Chiang | | D7/332 |

| | | | | | |
|------------|---|---------|--------------|-------|--------|
| D471,396 S | * | 3/2003 | Chiang | | D7/334 |
| D480,906 S | * | 10/2003 | Pai | | D7/334 |
| D482,561 S | * | 11/2003 | Yeh | | D7/332 |
| D496,821 S | * | 10/2004 | Pai | | D7/334 |
| D497,281 S | * | 10/2004 | Pai | | D7/334 |
| D499,600 S | * | 12/2004 | Bossler | | D7/335 |
| D505,824 S | * | 6/2005 | Nipke et al. | | D7/334 |
| D508,365 S | * | 8/2005 | Nipke et al. | | D7/334 |

* cited by examiner

Primary Examiner—Ruth McInroy

(74) *Attorney, Agent, or Firm*—Bacon & Thomas

(57) **CLAIM**

The ornamental design for a barbecue grill, as shown.

DESCRIPTION

FIG. 1 is a perspective view of a barbecue grill, showing my new design;

FIG. 2 is a front view thereof;

FIG. 3 is a rear view thereof;

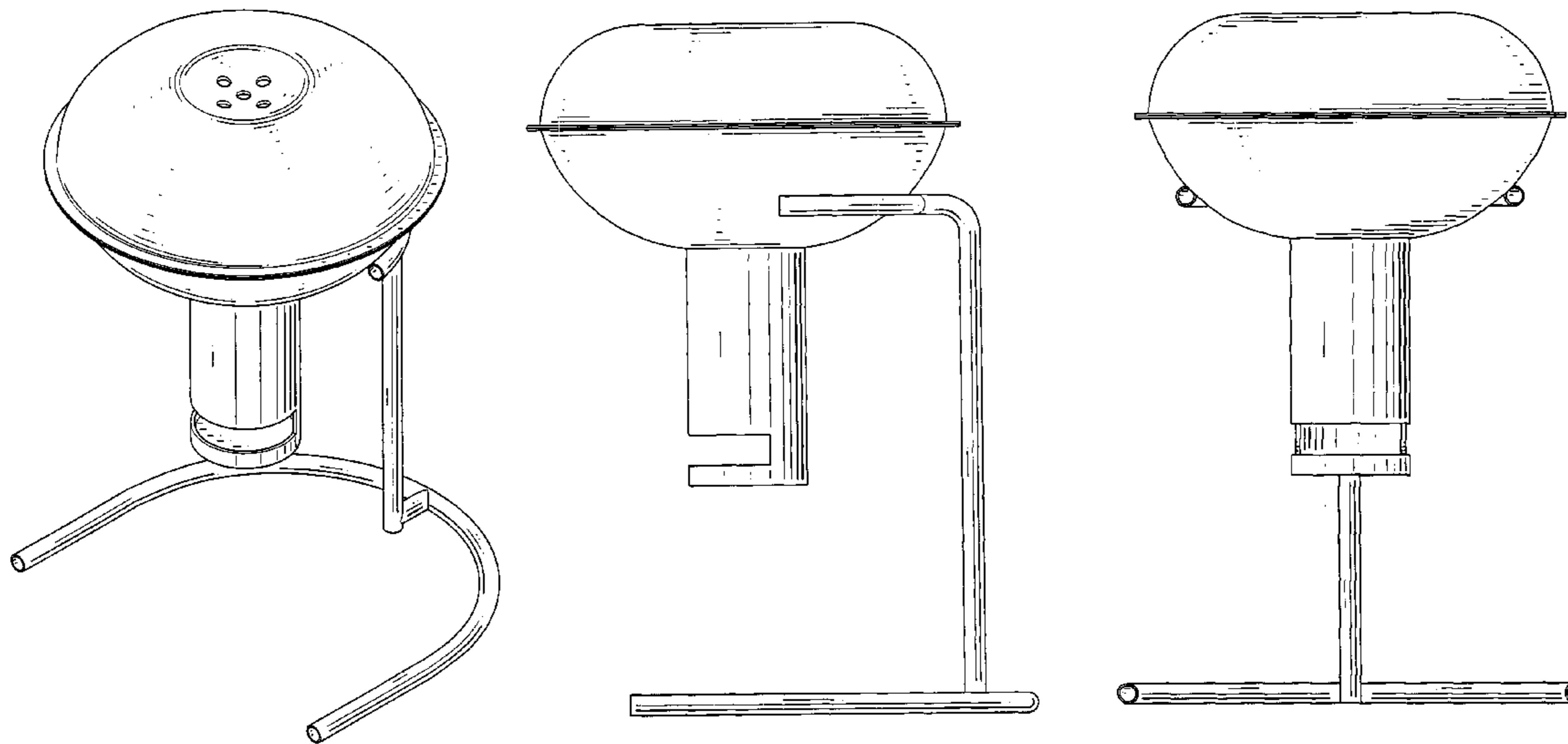
FIG. 4 is a left side view thereof;

FIG. 5 is a right side view thereof;

FIG. 6 is a top view thereof; and,

FIG. 7 is a bottom view thereof.

1 Claim, 7 Drawing Sheets



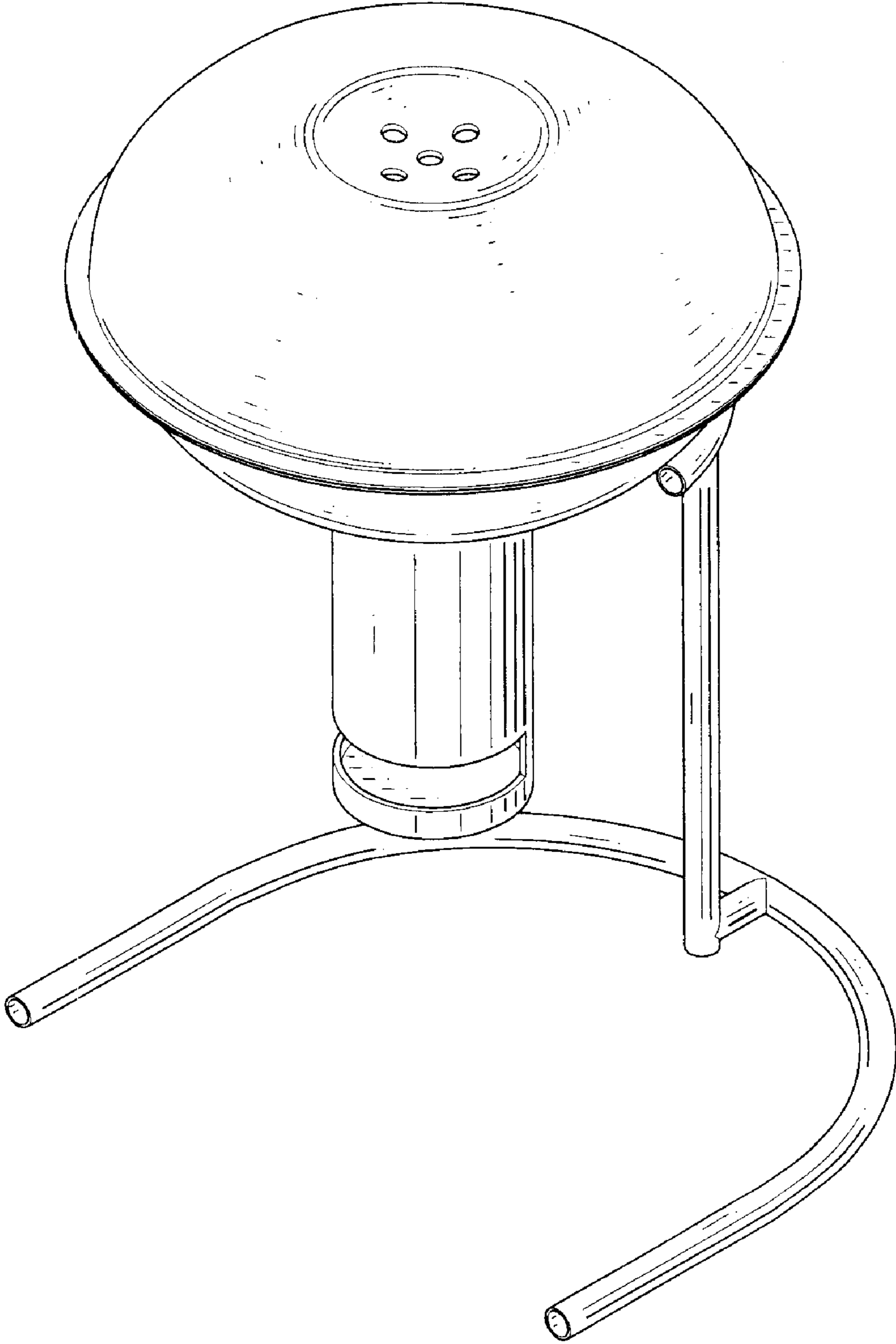


FIG.1

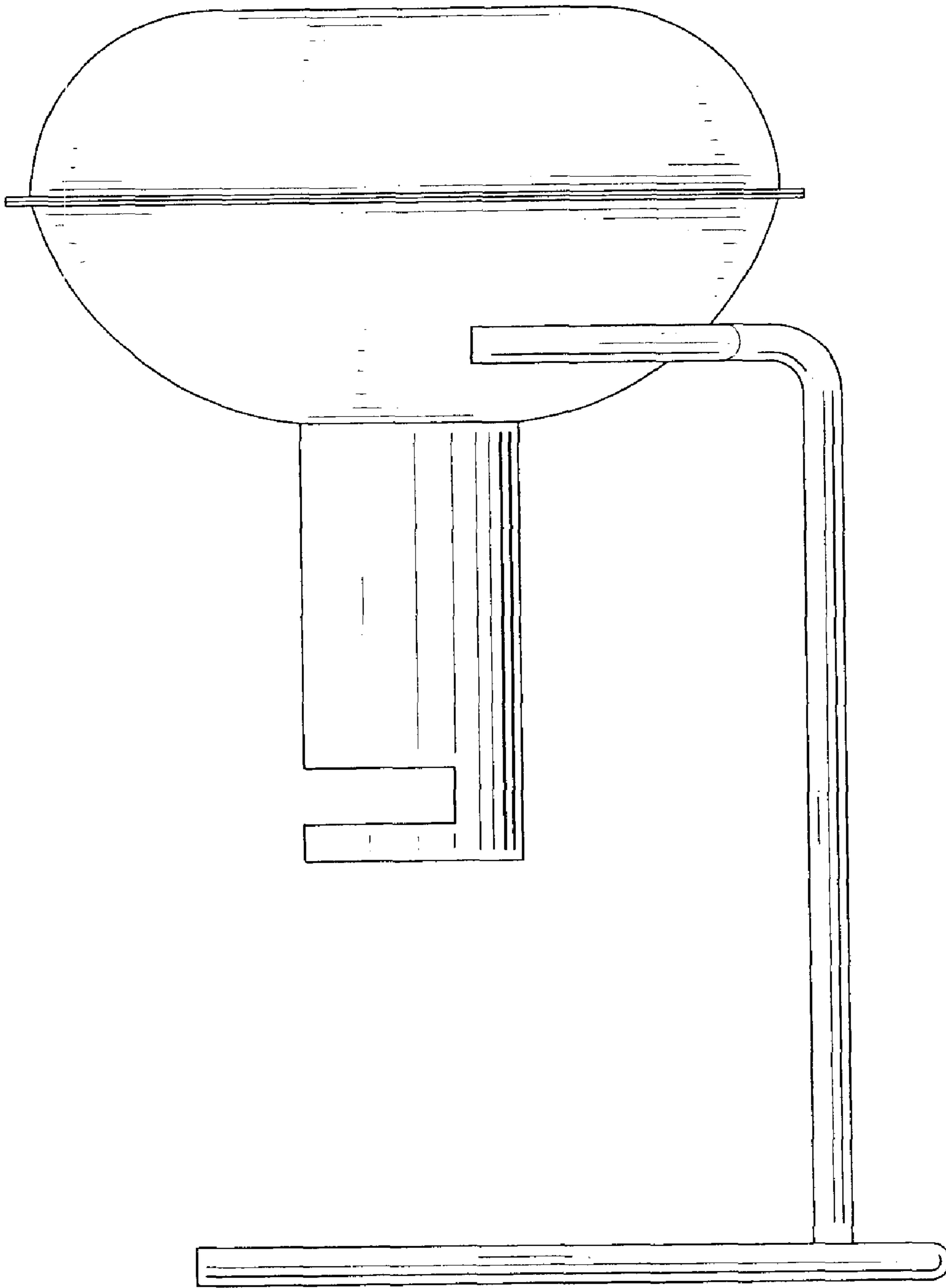


FIG. 2

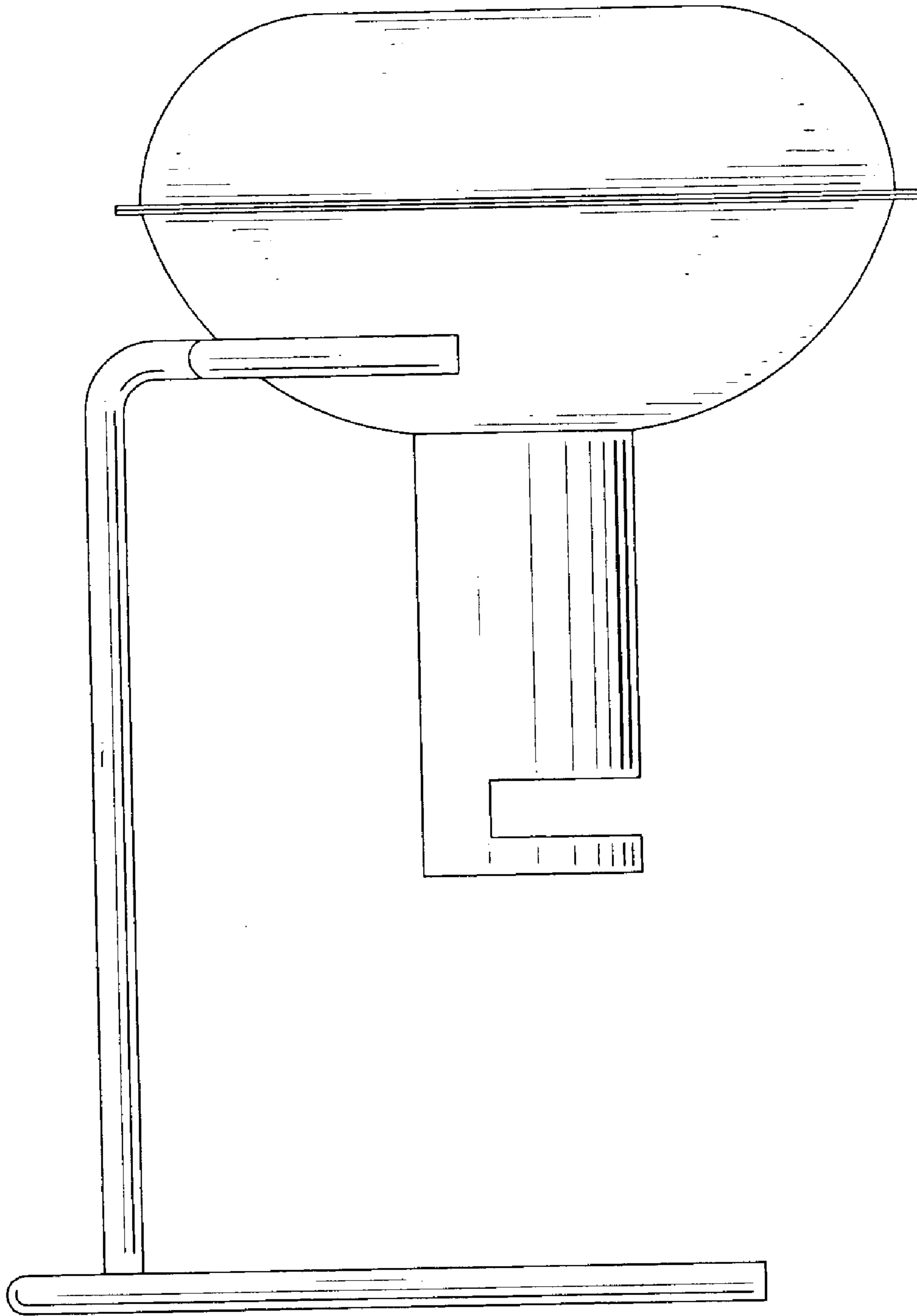


FIG. 3

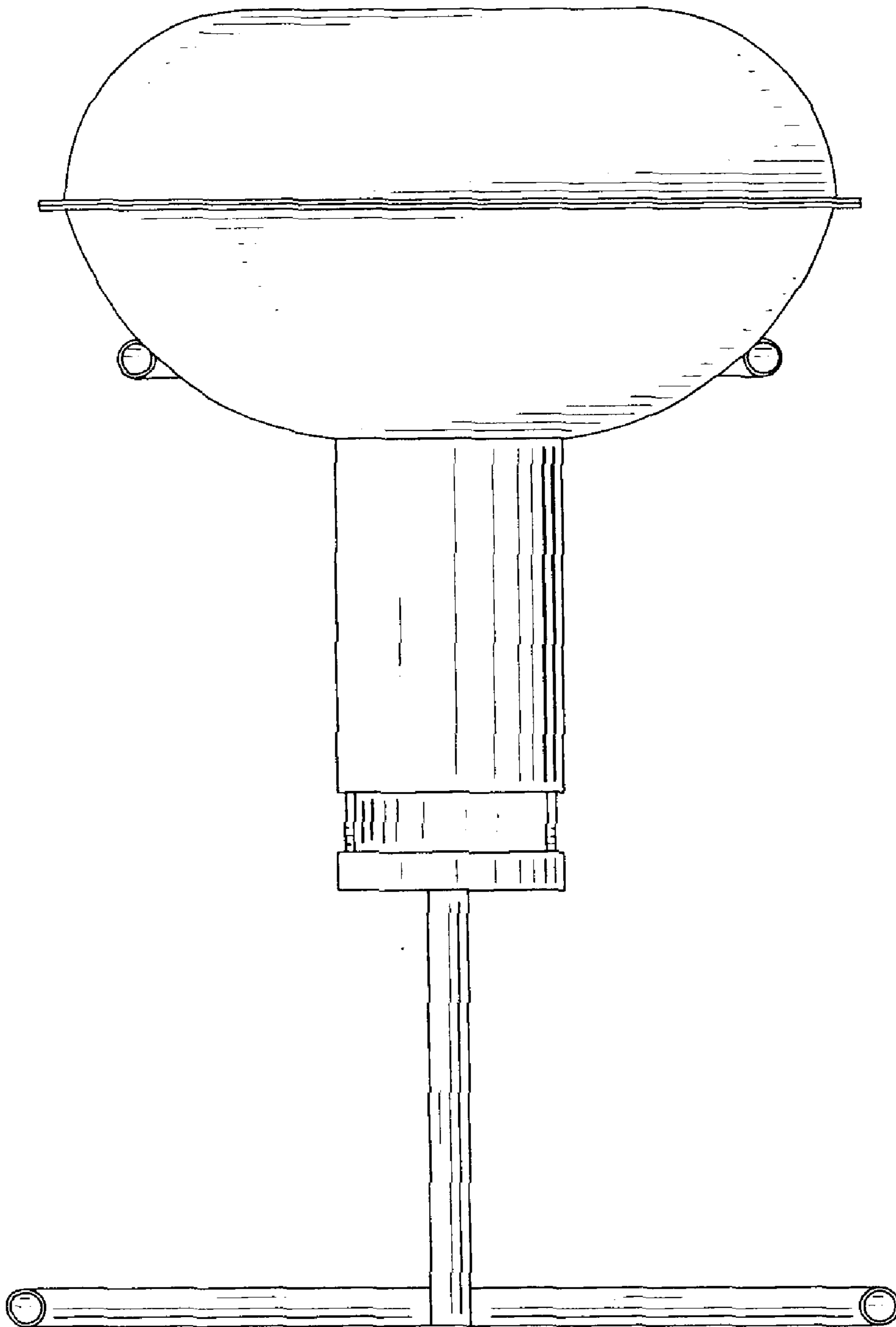


FIG. 4

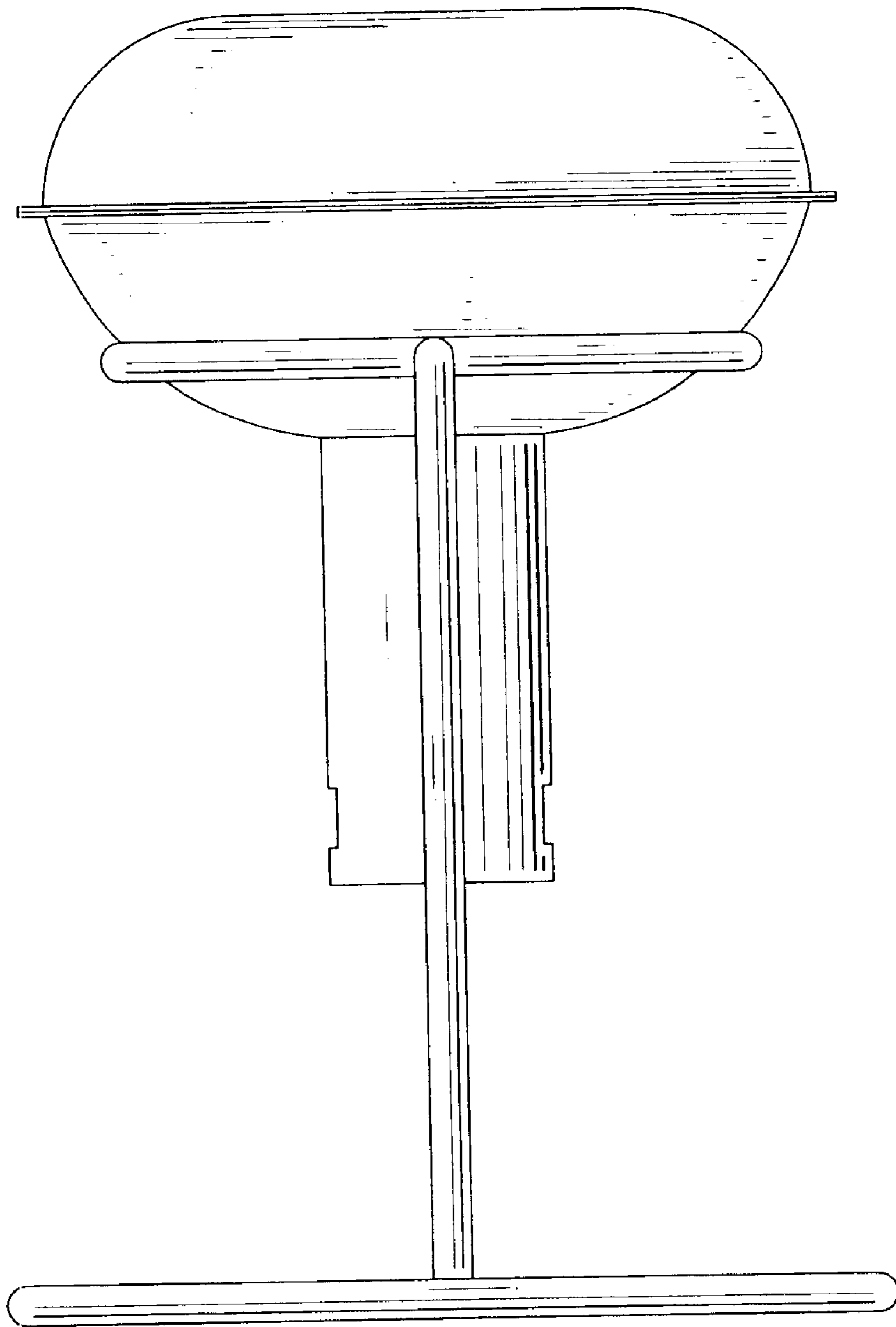


FIG. 5

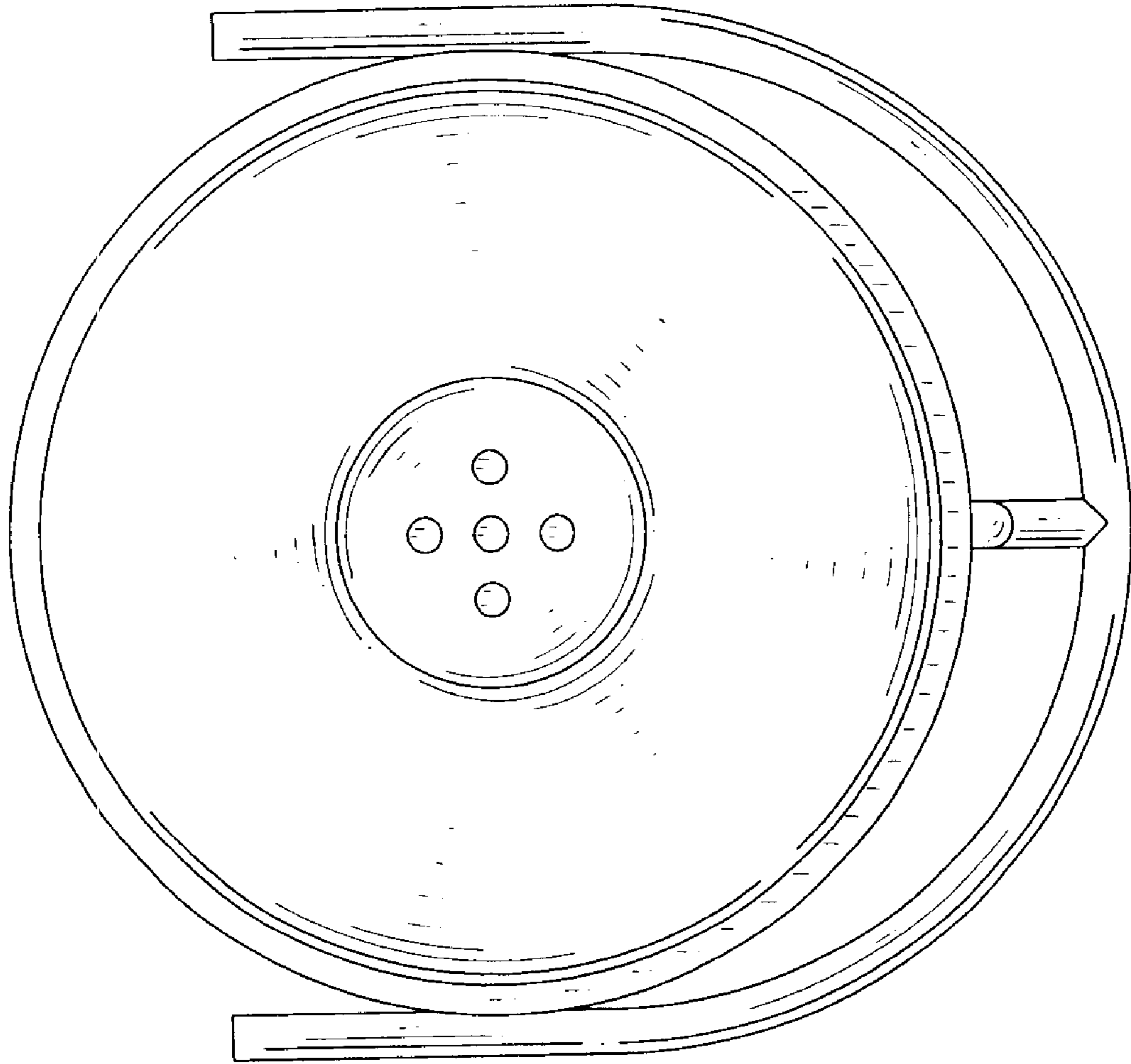


FIG.6

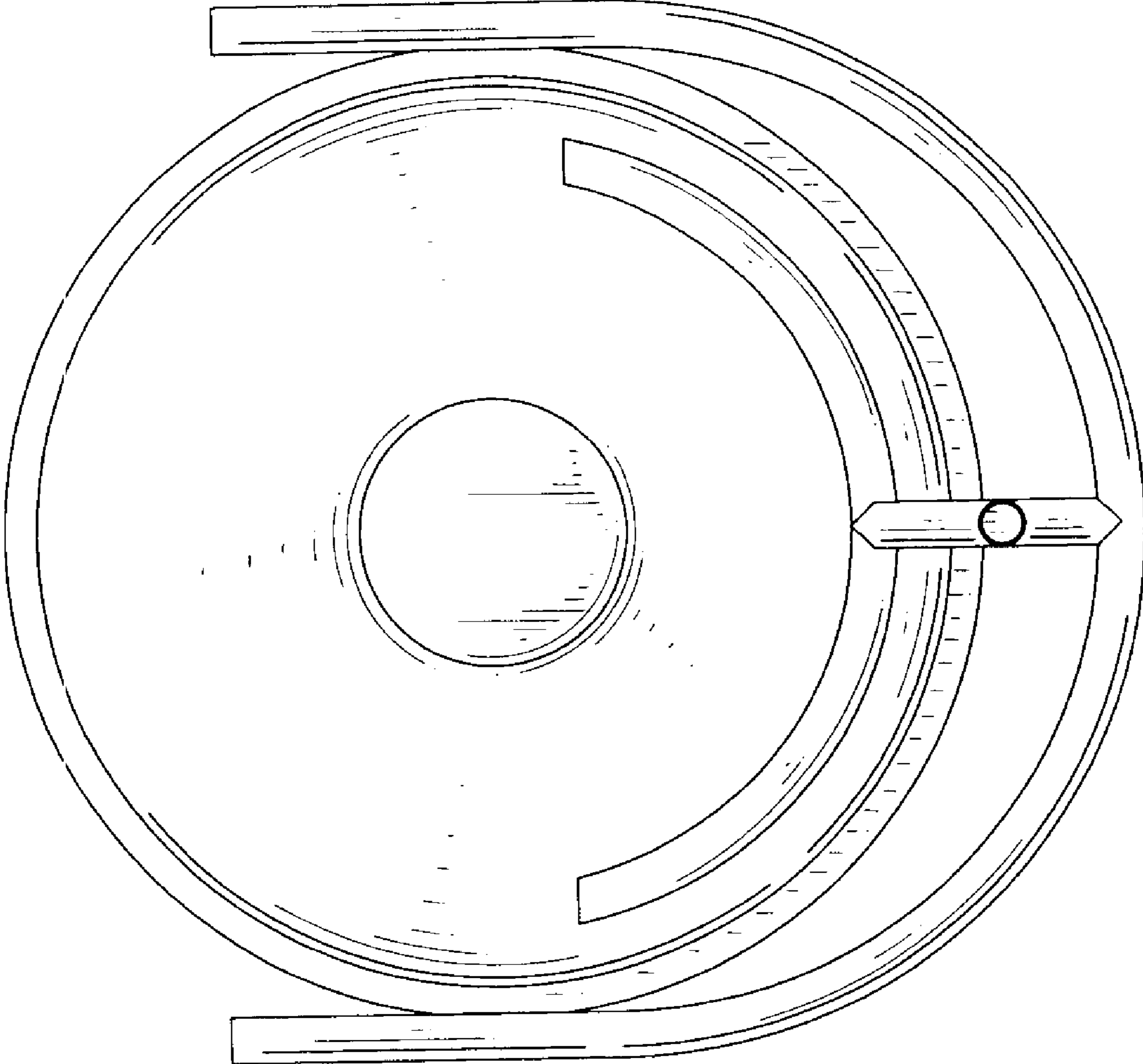


FIG.7