



US00D526831S

(12) **United States Design Patent**  
**Chung**

(10) **Patent No.:** **US D526,831 S**

(45) **Date of Patent:** **\*\* Aug. 22, 2006**

(54) **BARBECUE GRILL**

(76) Inventor: **Kiosky Chung**, 8F-1, No. 497,  
Jhongming S. Rd., West District,  
Taichung City (TW), 403

(\*\*) Term: **14 Years**

(21) Appl. No.: **29/223,823**

(22) Filed: **Feb. 18, 2005**

(51) **LOC (8) Cl.** ..... **07-02**

(52) **U.S. Cl.** ..... **D7/332**

(58) **Field of Classification Search** ..... D7/332,  
D7/334-337, 402-405; 126/25 R, 25 A,  
126/25 AA, 25 B, 29-30, 41 R, 38, 37 R,  
126/9 R, 40, 50, 304 R, 305; 99/419, 421 R,  
99/444, 450; 312/140.1, 140.3, 236; 248/129;  
108/44, 519

See application file for complete search history.

(56) **References Cited**

**U.S. PATENT DOCUMENTS**

|            |   |         |       |       |        |
|------------|---|---------|-------|-------|--------|
| D455,598 S | * | 4/2002  | Pai   | ..... | D7/337 |
| D498,113 S | * | 11/2004 | Zhang | ..... | D7/332 |
| D498,114 S | * | 11/2004 | Zhang | ..... | D7/337 |
| D499,299 S | * | 12/2004 | Zhang | ..... | D7/337 |

|            |   |         |       |       |        |
|------------|---|---------|-------|-------|--------|
| D503,868 S | * | 4/2005  | Pai   | ..... | D7/337 |
| D504,275 S | * | 4/2005  | Pai   | ..... | D7/337 |
| D511,070 S | * | 11/2005 | Pai   | ..... | D7/402 |
| D511,266 S | * | 11/2005 | Pai   | ..... | D7/337 |
| D511,433 S | * | 11/2005 | Zhang | ..... | D7/337 |
| D513,149 S | * | 12/2005 | Zhang | ..... | D7/337 |
| D514,870 S | * | 2/2006  | Chung | ..... | D7/337 |

\* cited by examiner

*Primary Examiner*—Ruth McInroy

(74) *Attorney, Agent, or Firm*—Charles E. Baxley

(57) **CLAIM**

I claim the ornamental design for a barbecue grill, as shown and described.

**DESCRIPTION**

FIG. 1 is a perspective view of a barbecue grill, showing my new design;

FIG. 2 is a front elevational view thereof;

FIG. 3 is a rear elevational view thereof;

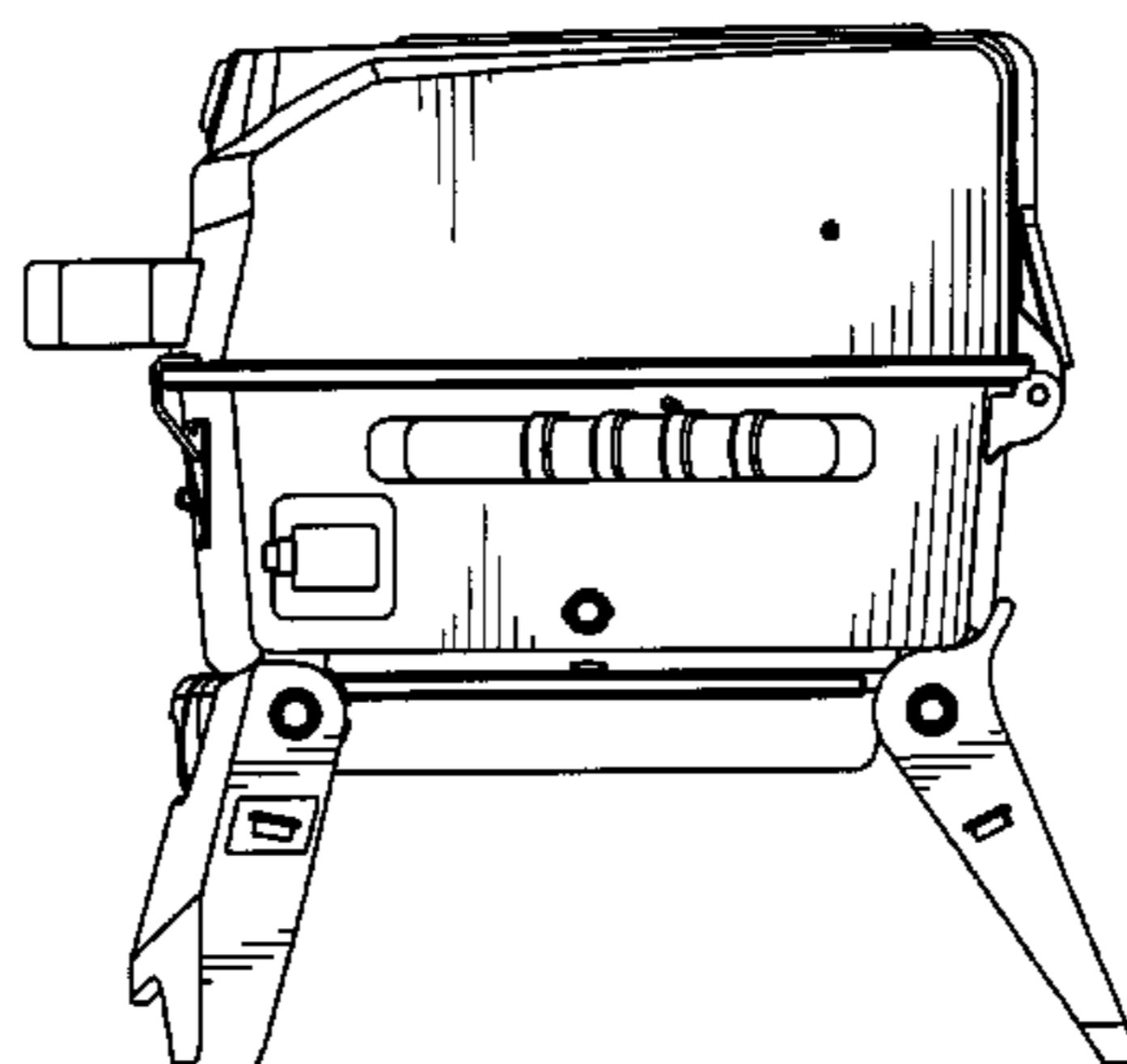
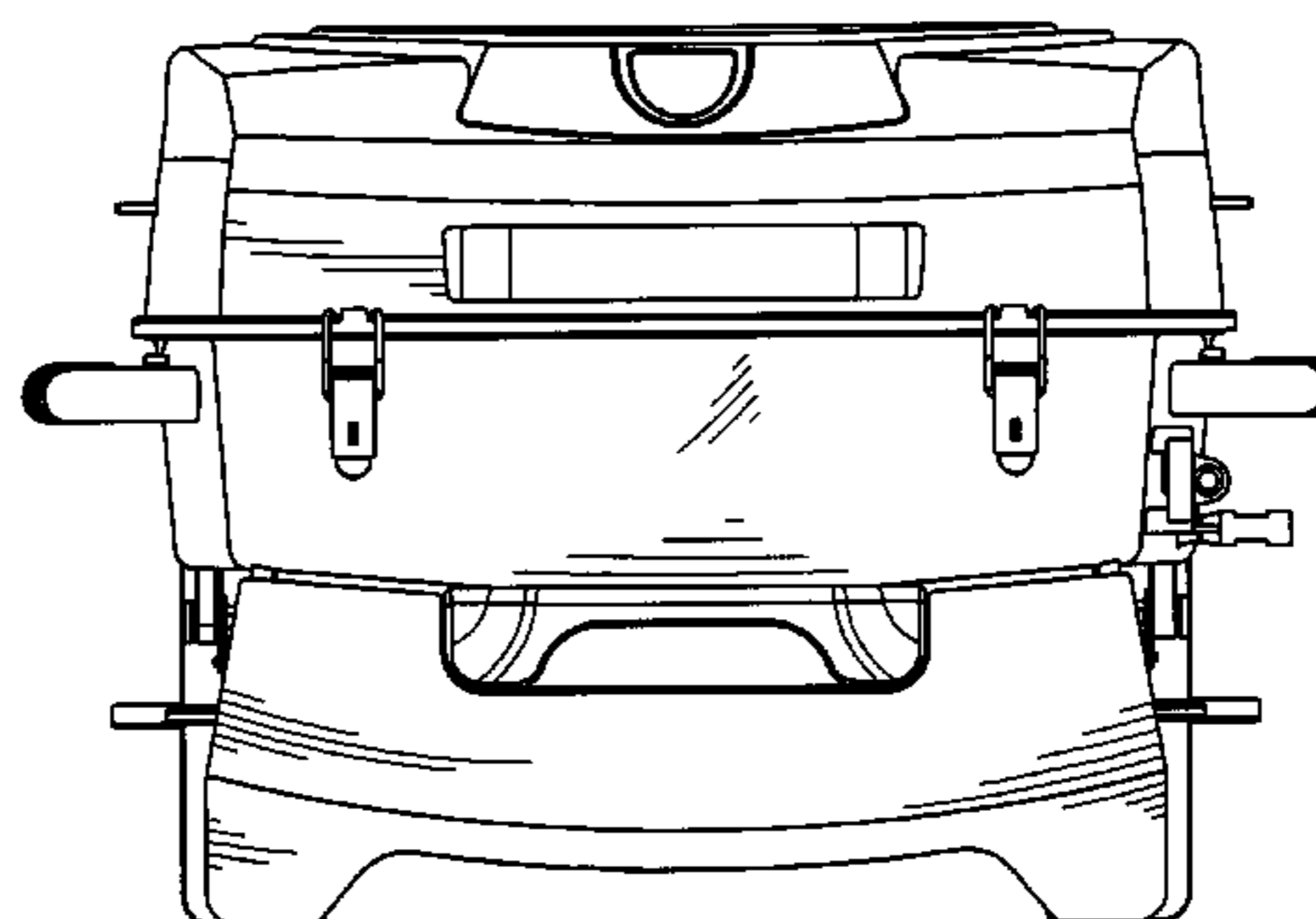
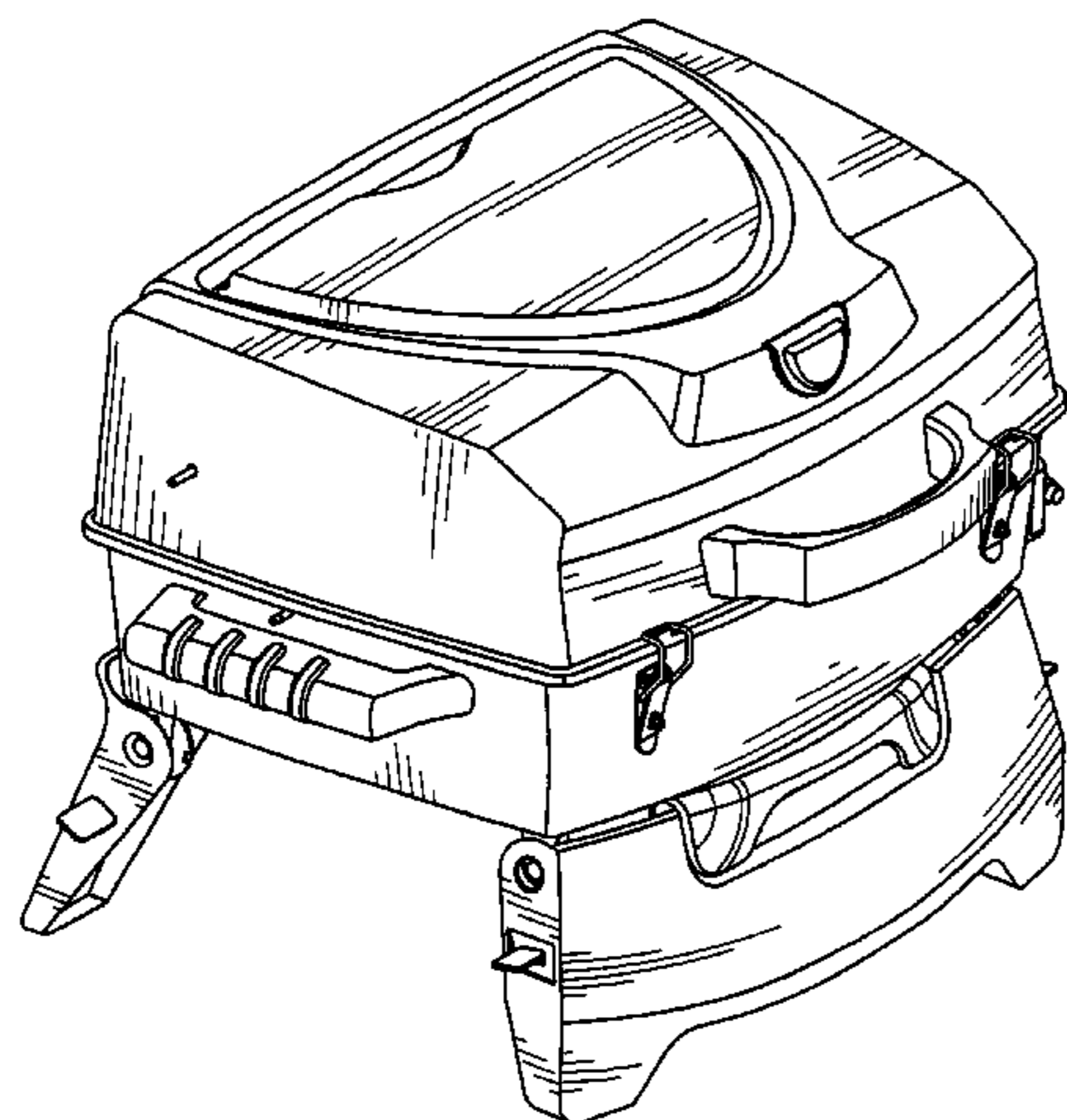
FIG. 4 is a left side elevational view thereof;

FIG. 5 is a right side elevational view thereof;

FIG. 6 is a top plan view thereof; and,

FIG. 7 is a bottom plan view thereof.

**1 Claim, 7 Drawing Sheets**



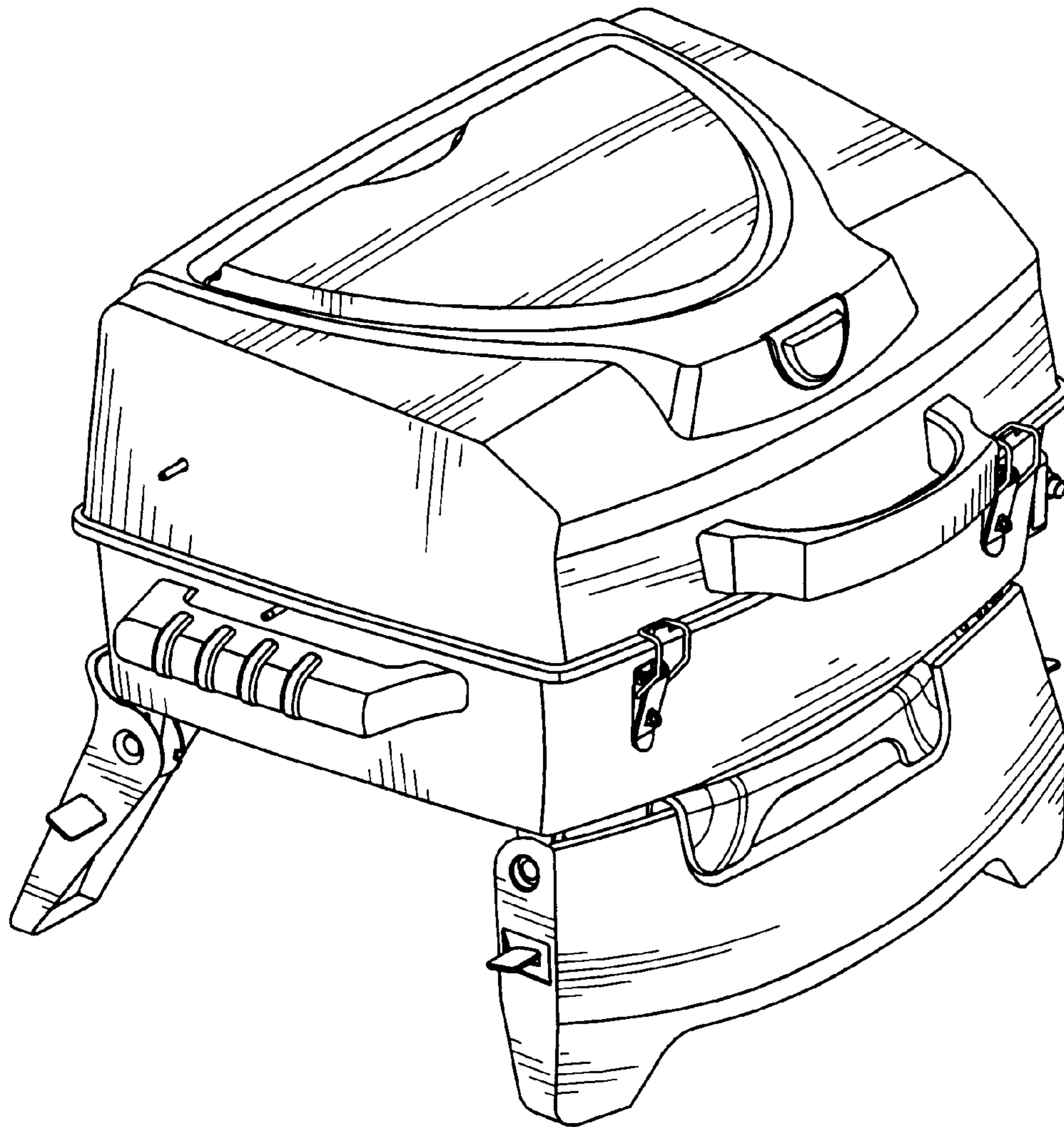


FIG. 1

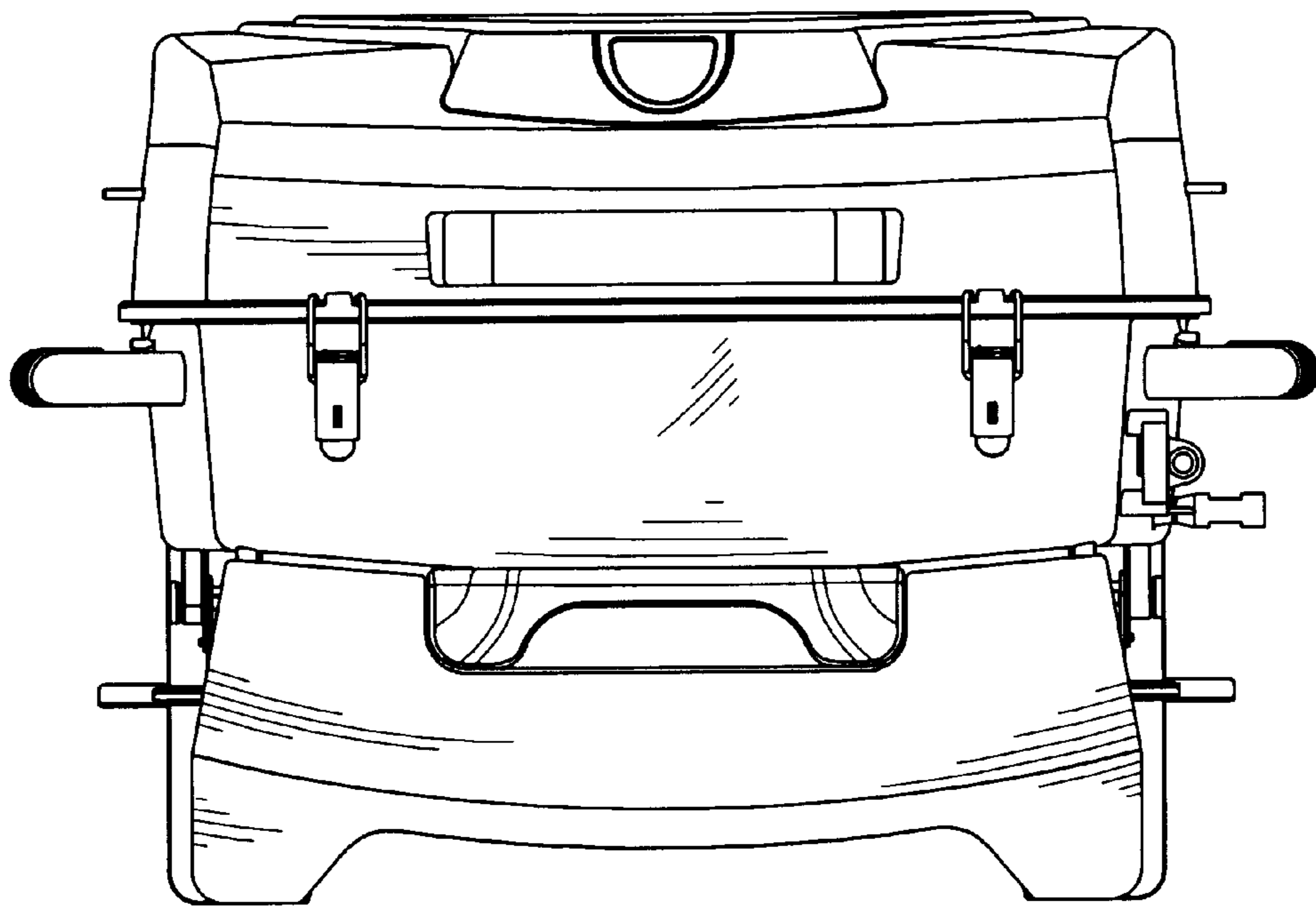


FIG. 2

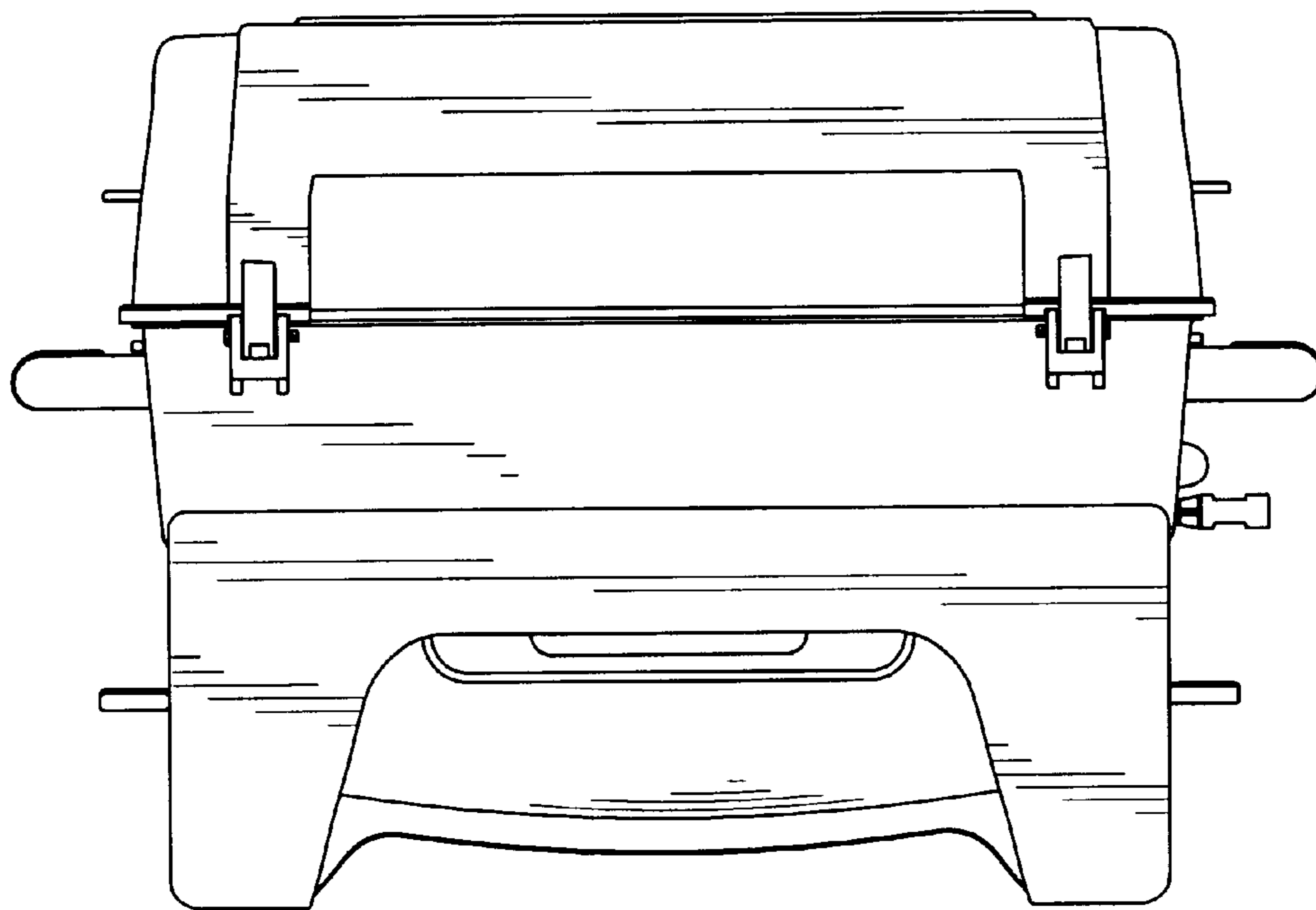


FIG. 3

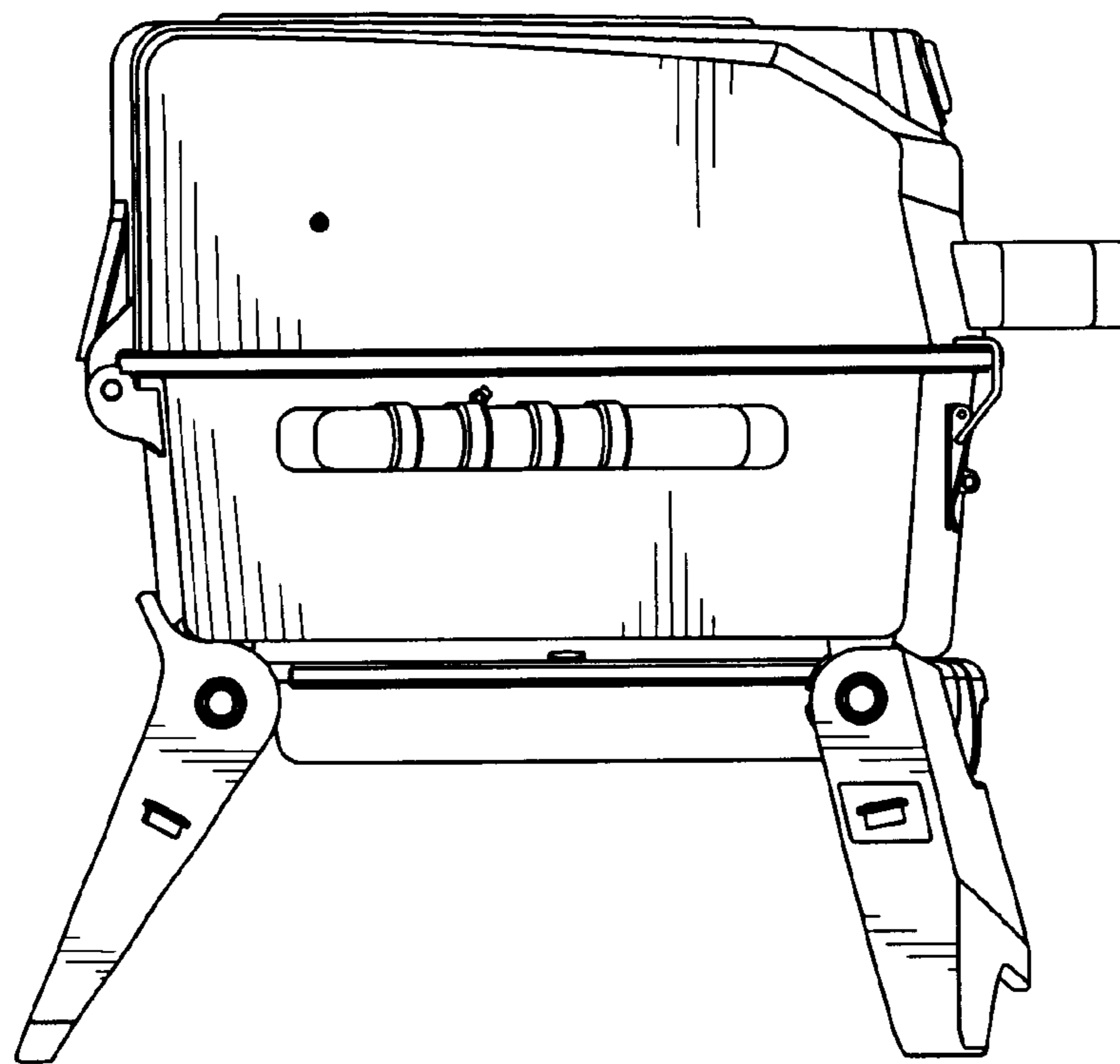


FIG. 4

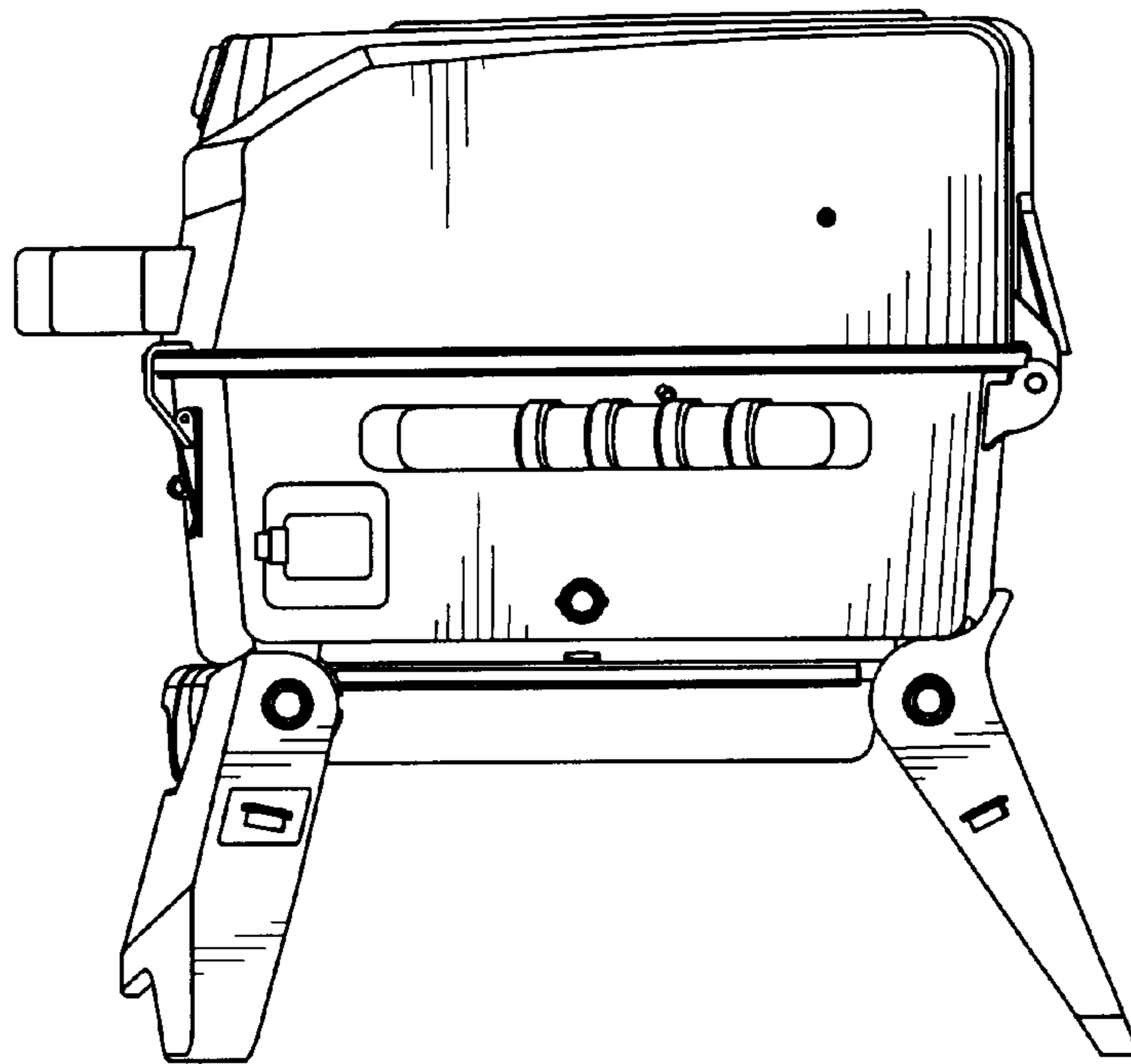


FIG. 5

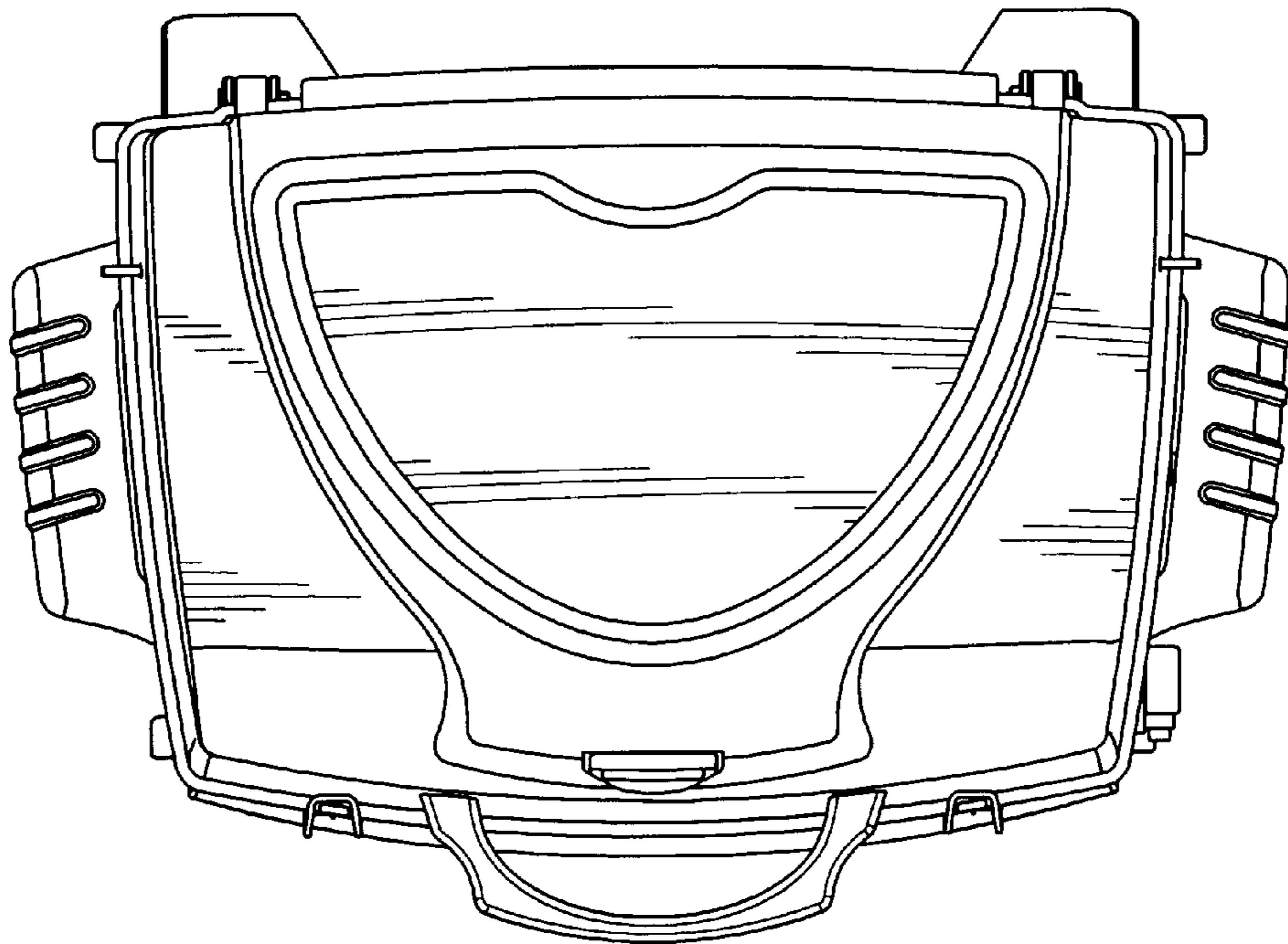


FIG. 6

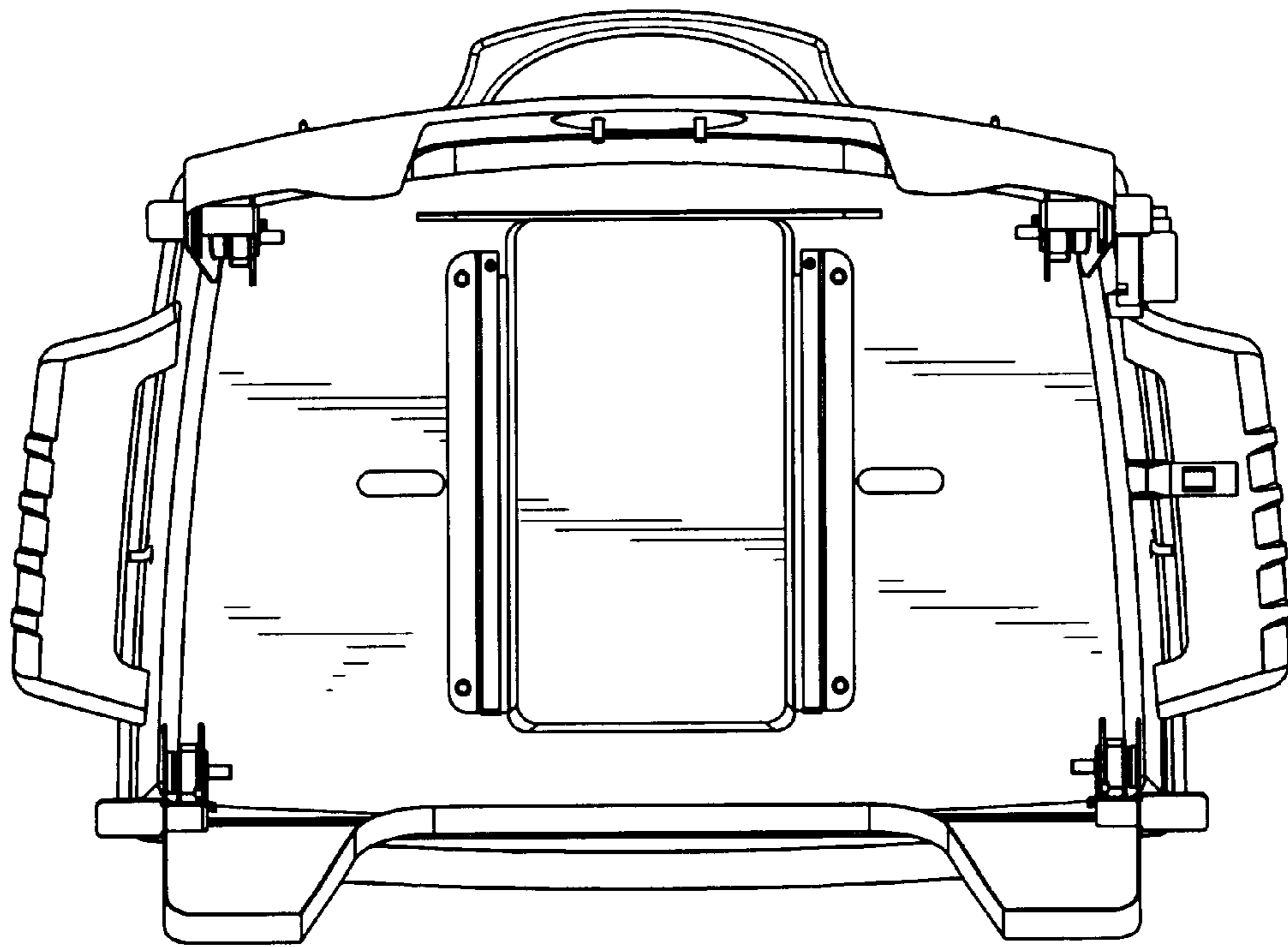


FIG. 7