



US00D526830S

(12) **United States Design Patent**
Goulart

(10) **Patent No.:** **US D526,830 S**

(45) **Date of Patent:** **** Aug. 22, 2006**

(54) **KETTLE**

(75) Inventor: **Sebastien Goulart**, Saint Quentin (FR)

(73) Assignee: **Le Creuset, Inc.**, Fresnoy-le-Grand (FR)

(**) Term: **14 Years**

(21) Appl. No.: **29/175,187**

(22) Filed: **Jan. 31, 2003**

(51) **LOC (8) Cl.** **07-01**

(52) **U.S. Cl.** **D7/322; D7/321; D7/312**

(58) **Field of Classification Search** **D7/300, D7/322, 321, 312, 318, 317; 220/318; D23/356; 273/144 A; 210/180; 222/472, 469, 144.5**
See application file for complete search history.

(56) **References Cited**

U.S. PATENT DOCUMENTS

- D288,890 S * 3/1987 Lebowitz D7/322
- D308,315 S * 6/1990 Ancona et al. D7/322
- D316,598 S * 4/1991 Morooka D23/356
- D333,753 S * 3/1993 Ancona et al. D7/321

- 5,339,978 A * 8/1994 Coppier 220/318
- D355,330 S * 2/1995 Gebhardt D7/318
- D371,931 S * 7/1996 Lin D7/302
- D406,720 S * 3/1999 Strum et al. D7/302
- D429,440 S * 8/2000 Bull et al. D7/302
- D478,243 S * 8/2003 Lebowitz D7/322
- D478,767 S * 8/2003 Lebowitz D7/322

* cited by examiner

Primary Examiner—M. N. Pandozzi

(74) *Attorney, Agent, or Firm*—Gary L. Bush; Andrews Kurth LLP

(57) **CLAIM**

The ornamental design for a kettle, as shown and described.

DESCRIPTION

FIG. 1 is plan view of a kettle showing our new design; FIG. 2 is a side view thereof; FIG. 3 is a top and side view thereof; FIG. 4 is a rear view thereof; FIG. 5 is a front view thereof; and, FIG. 6 is a bottom view thereof.

1 Claim, 3 Drawing Sheets



FIG. 1

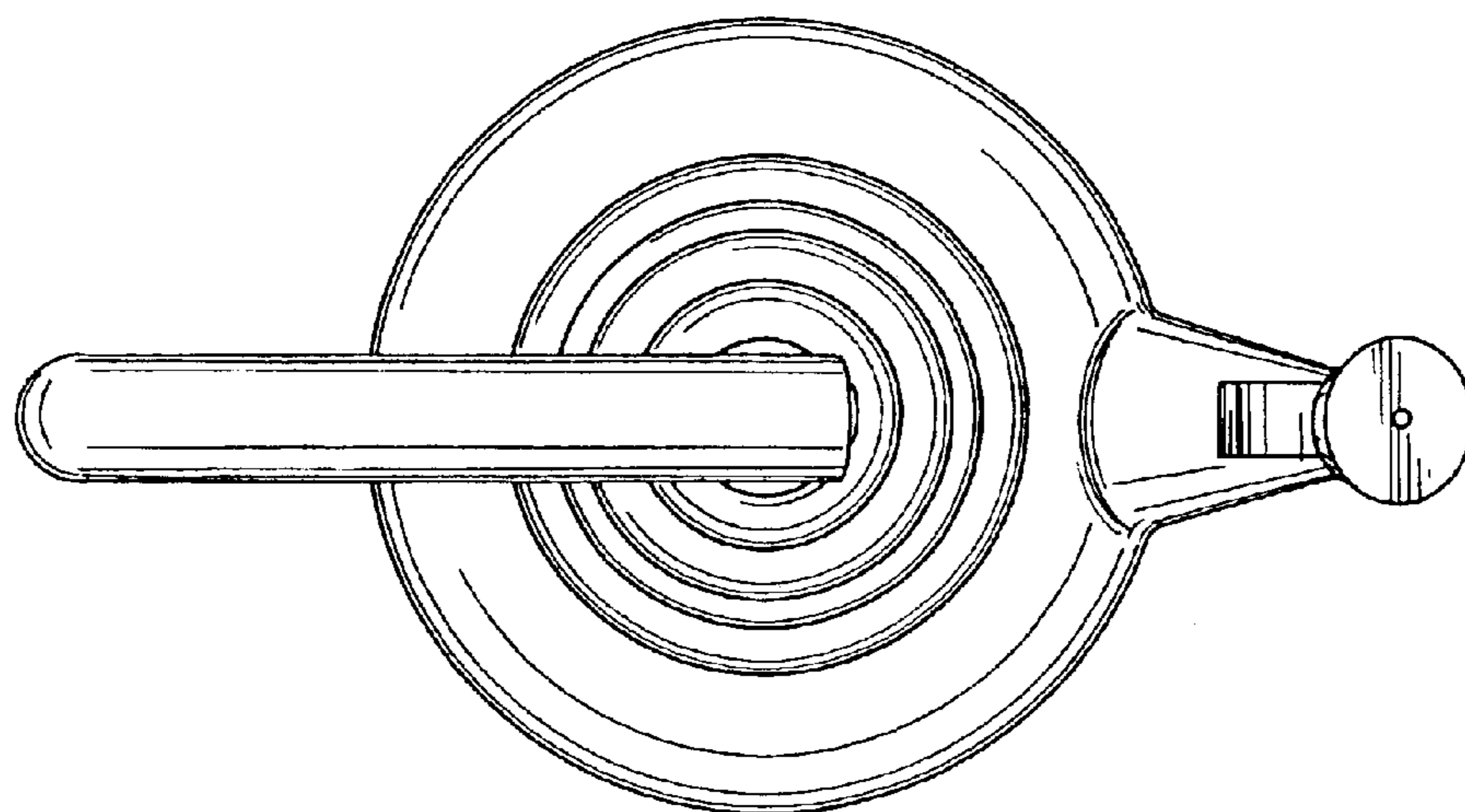
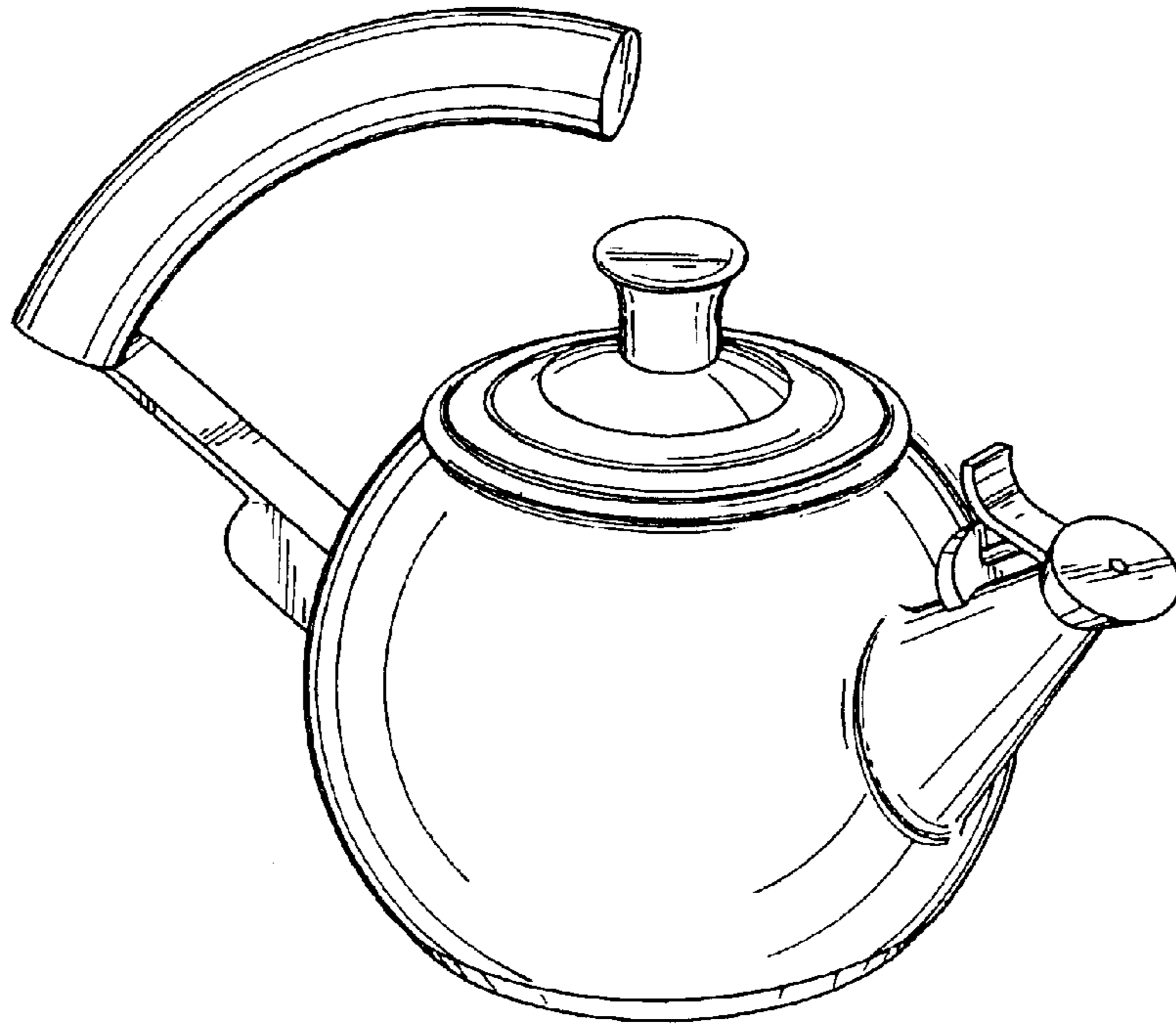


FIG. 2

FIG. 3



FIG. 4

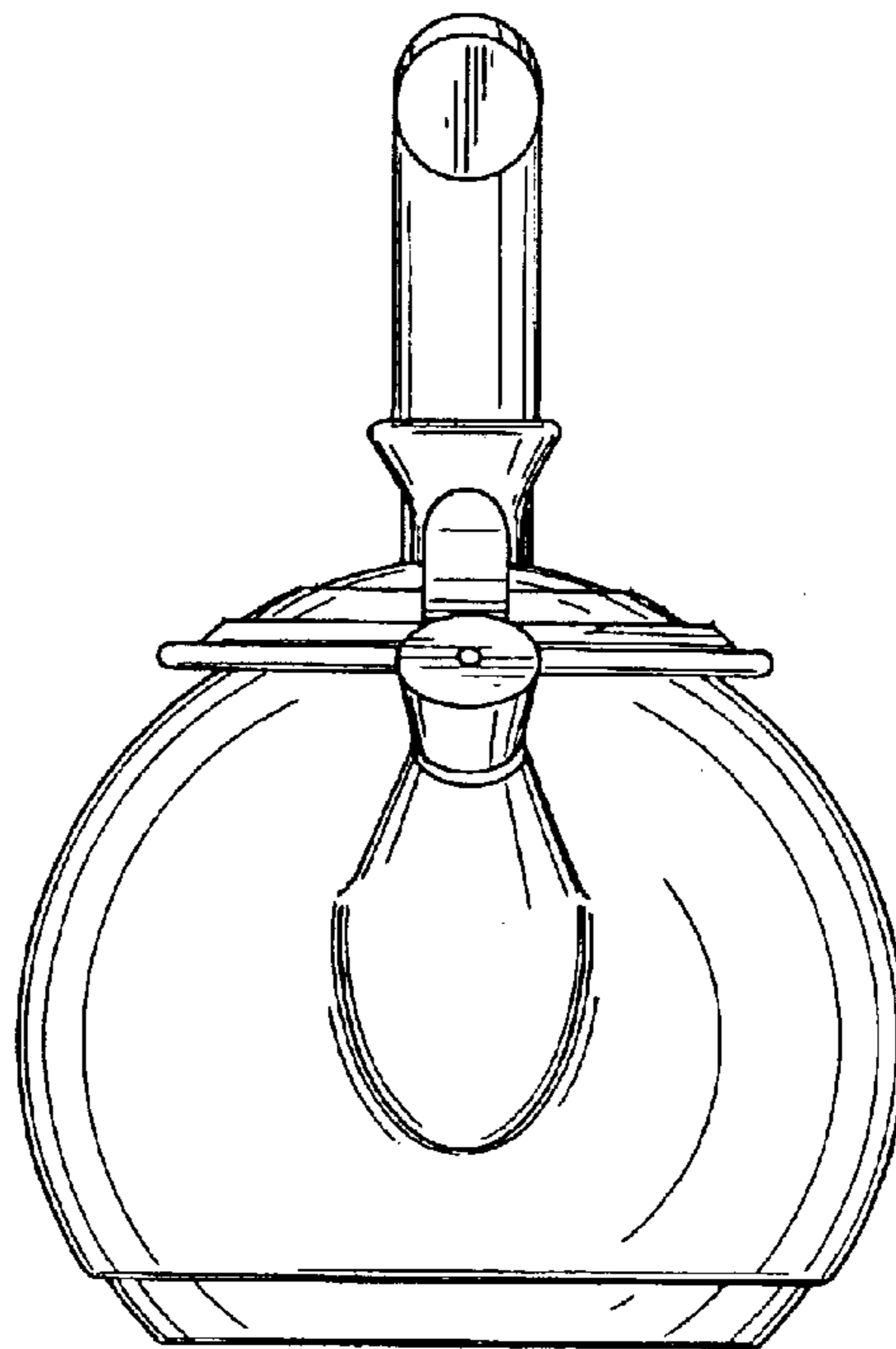


FIG. 5

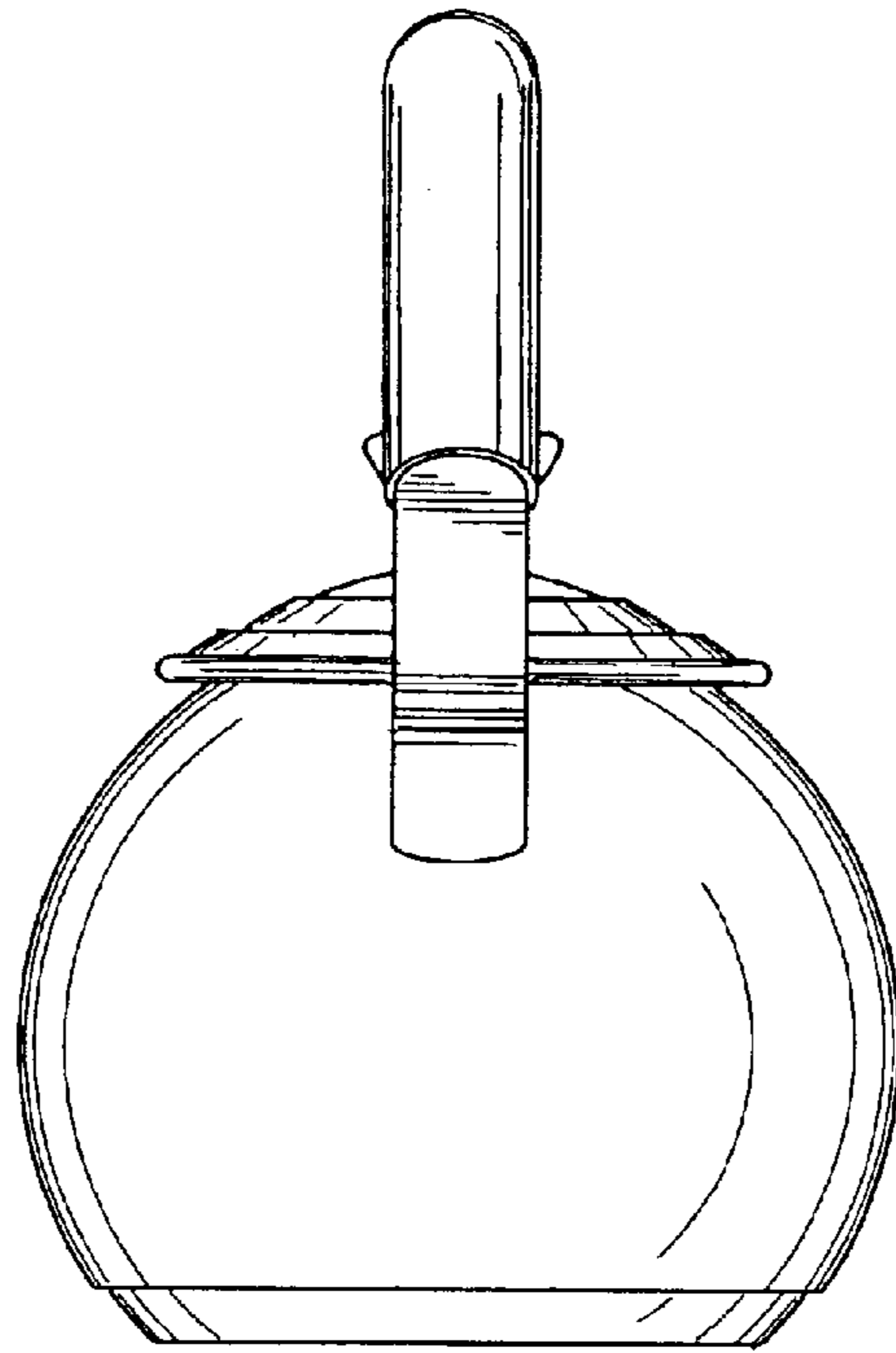


FIG. 6

