

US00D526829S

(12) **United States Design Patent**  
**Cohen**

(10) **Patent No.:** **US D526,829 S**

(45) **Date of Patent:** **\*\* Aug. 22, 2006**

(54) **ELECTRIC KETTLE**

(75) Inventor: **Paul Cohen**, Watsons Bay (AU)

(73) Assignee: **Breville Pty Limited**, Botary (AU)

(\*\*) Term: **14 Years**

(21) Appl. No.: **29/207,363**

(22) Filed: **Jun. 14, 2004**

(51) **LOC (8) Cl.** ..... **07-01**

(52) **U.S. Cl.** ..... **D7/321; D7/312**

(58) **Field of Classification Search** ..... D7/300,  
D7/312, 322, 321, 309, 319; 220/912, 318;  
222/472, 517, 465.1, 146.6; 99/323.3, 279,  
99/306, 295

See application file for complete search history.

(56) **References Cited**

**U.S. PATENT DOCUMENTS**

D95,354 S	*	4/1935	Kircher	.....	D7/322
D97,482 S	*	11/1935	Guild	.....	D7/321
D99,425 S	*	4/1936	Zettler	.....	D7/321
D109,642 S	*	5/1938	Morgan	.....	D7/321
D160,912 S	*	11/1950	Ziskin et al.	.....	D7/322
D260,719 S	*	9/1981	Otake	.....	D7/321
D265,621 S	*	8/1982	Urich	.....	D7/321

D316,797 S	*	5/1991	Ancona et al.	.....	D7/322
D343,984 S	*	2/1994	Lin	.....	D7/320
D376,721 S	*	12/1996	Chen	.....	D7/321
D395,788 S	*	7/1998	Holland	.....	D7/321
D432,851 S	*	10/2000	Hoff et al.	.....	D7/320
D454,026 S	*	3/2002	Bodum	.....	D7/321
D477,494 S	*	7/2003	Pena Angarita	.....	D7/321
D497,511 S	*	10/2004	Lebowitz	.....	D7/322

\* cited by examiner

*Primary Examiner*—M. N. Pandozzi

(57) **CLAIM**

The ornamental design for the electric kettle, as shown and described.

**DESCRIPTION**

FIG. 1 is a perspective view of an electric kettle showing my new design;

FIG. 2 is a left side view thereof;

FIG. 3 is a rear view thereof;

FIG. 4 is a right side view thereof;

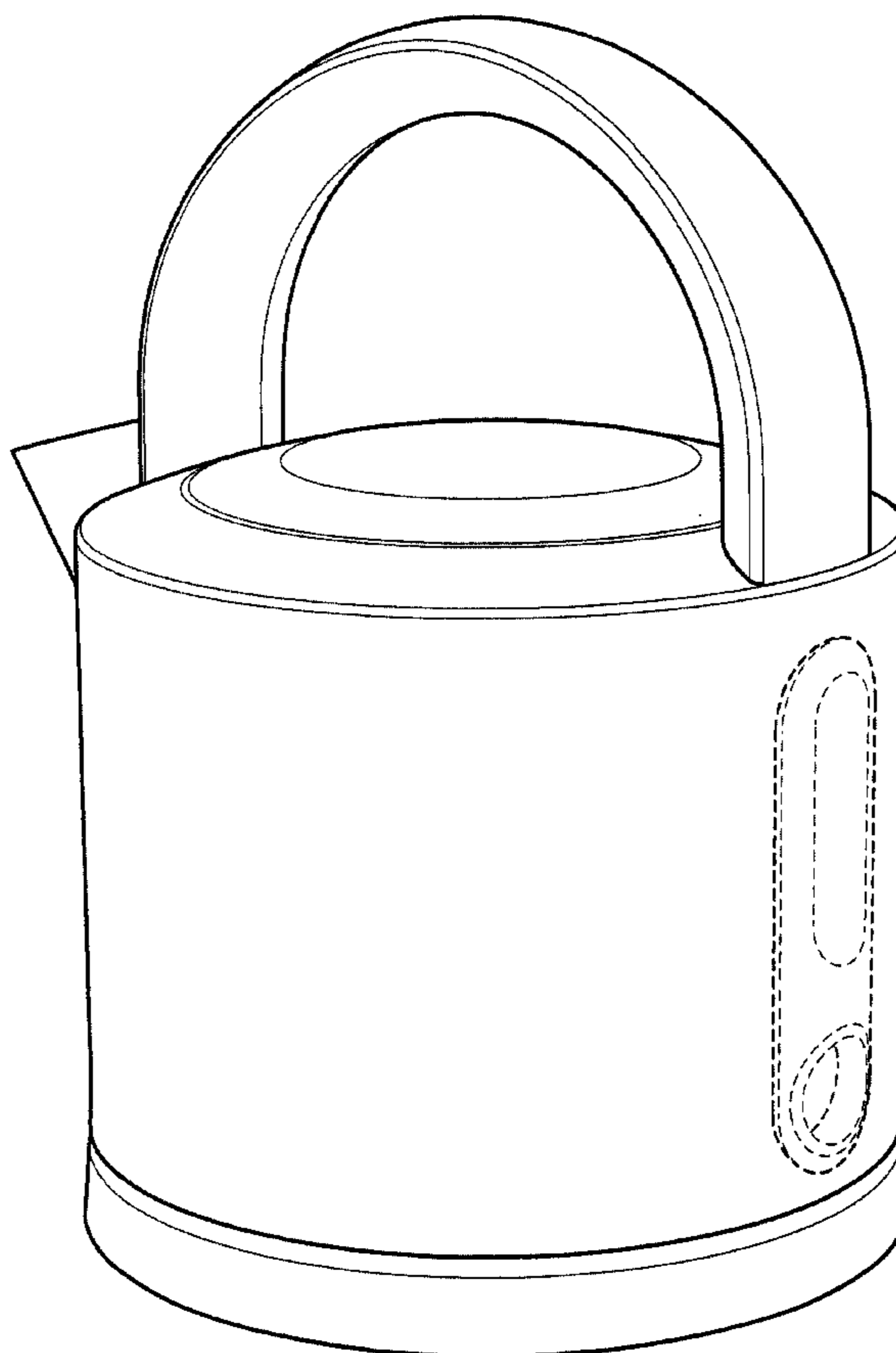
FIG. 5 is a front view thereof;

FIG. 6 is a bottom plan view thereof; and,

FIG. 7 is a top plan view thereof.

The broken lines in the drawings are for illustrative purposes only and form no part of the claimed design.

**1 Claim, 7 Drawing Sheets**



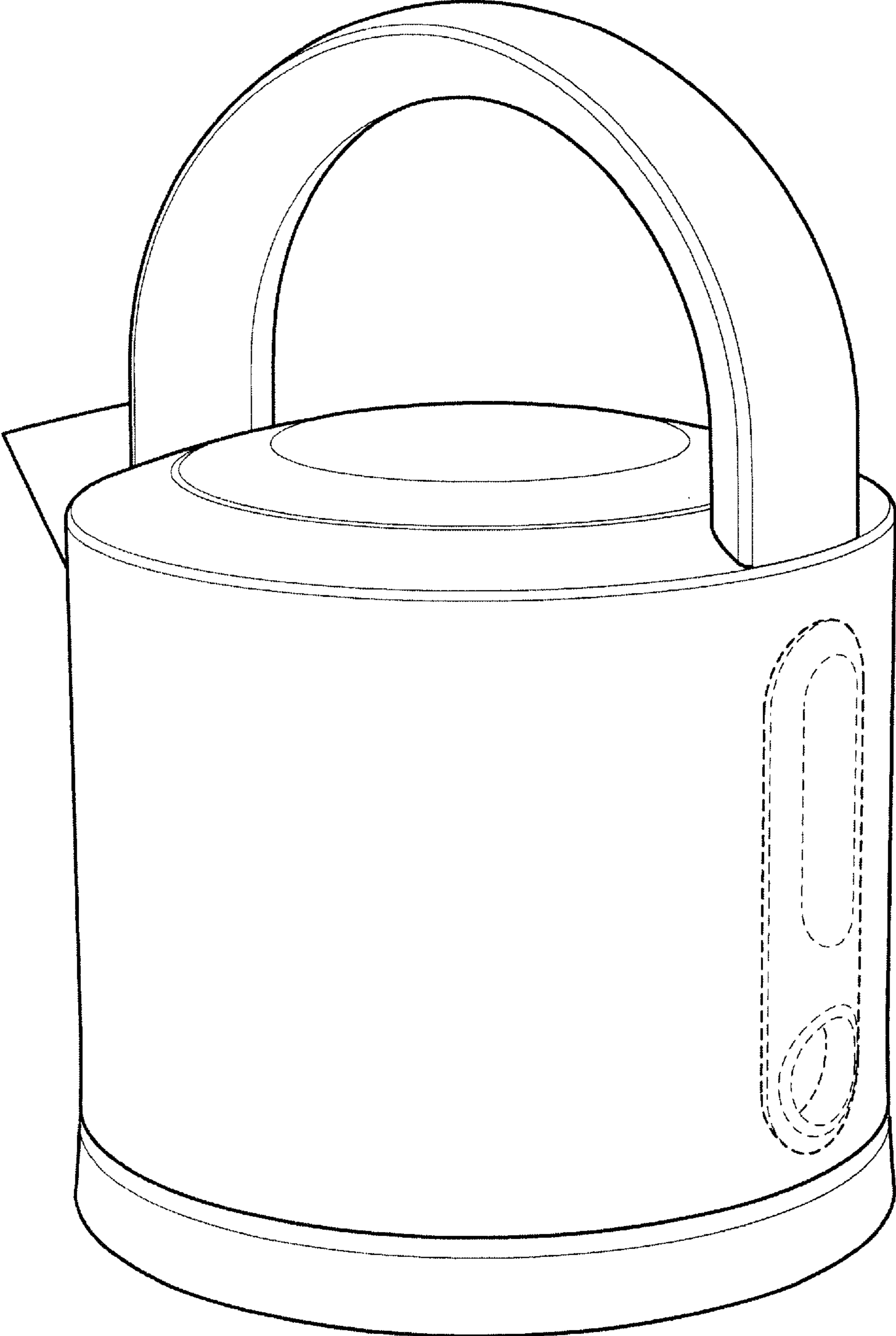


FIG. 1

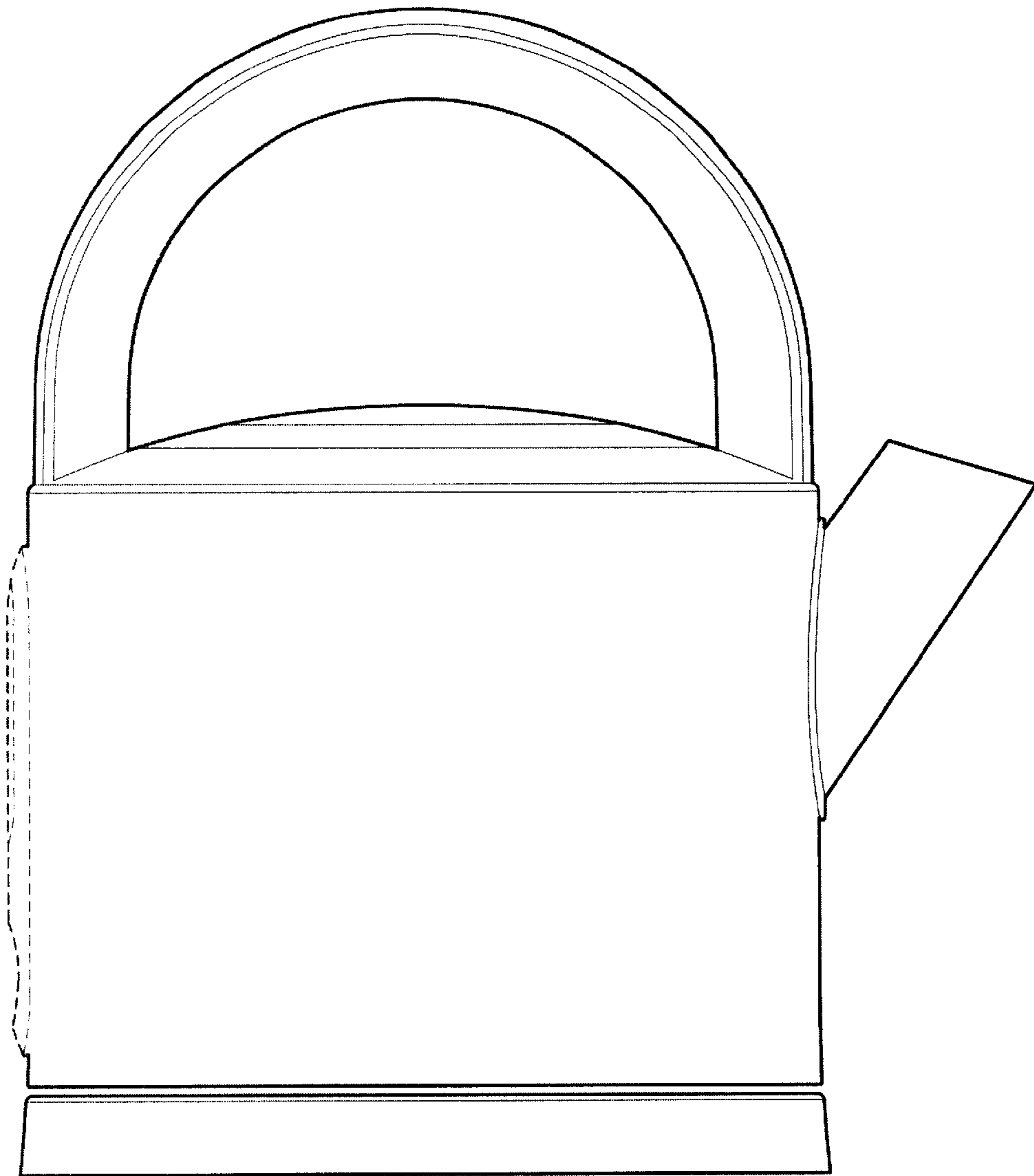


FIG. 2

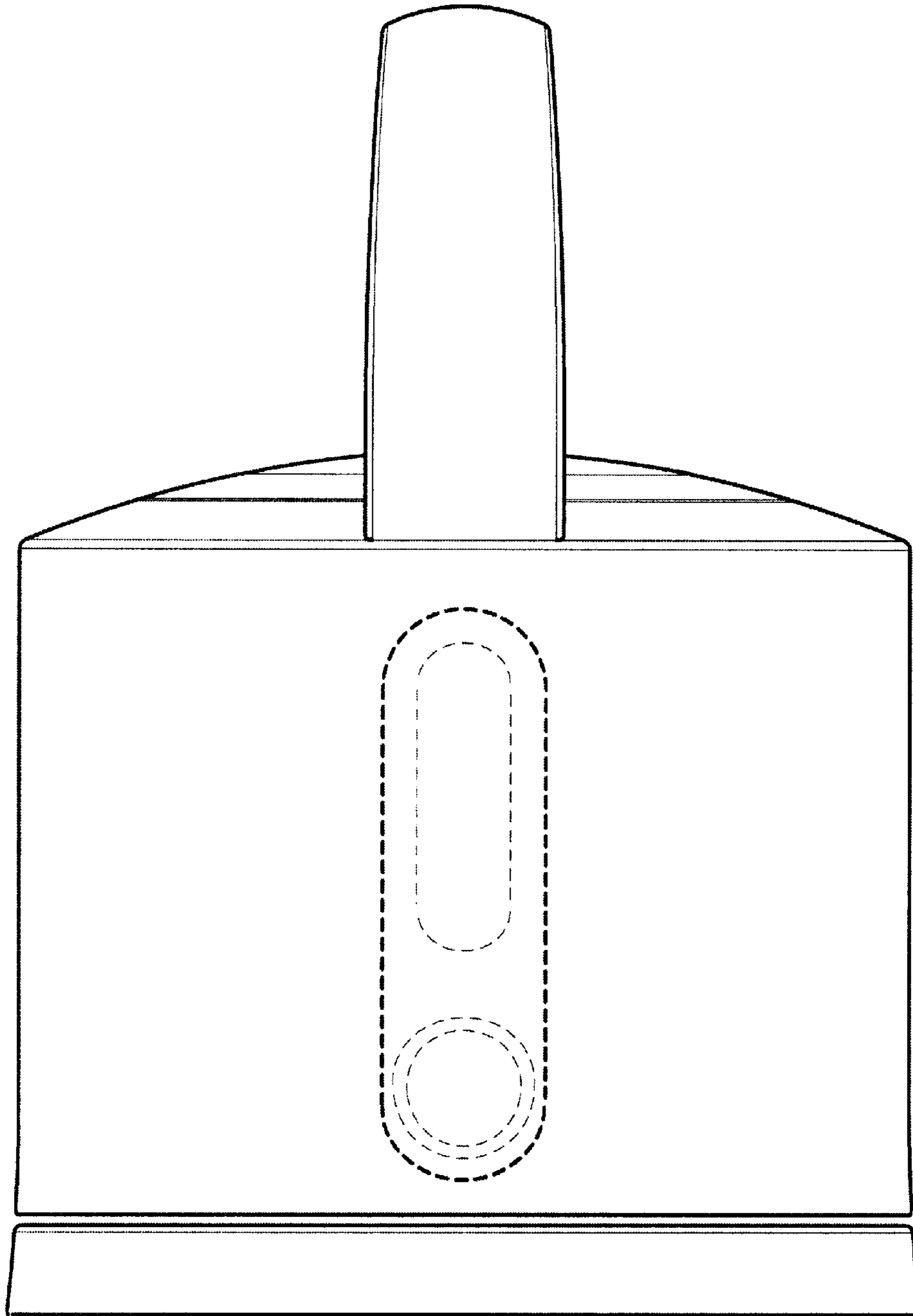


FIG. 3

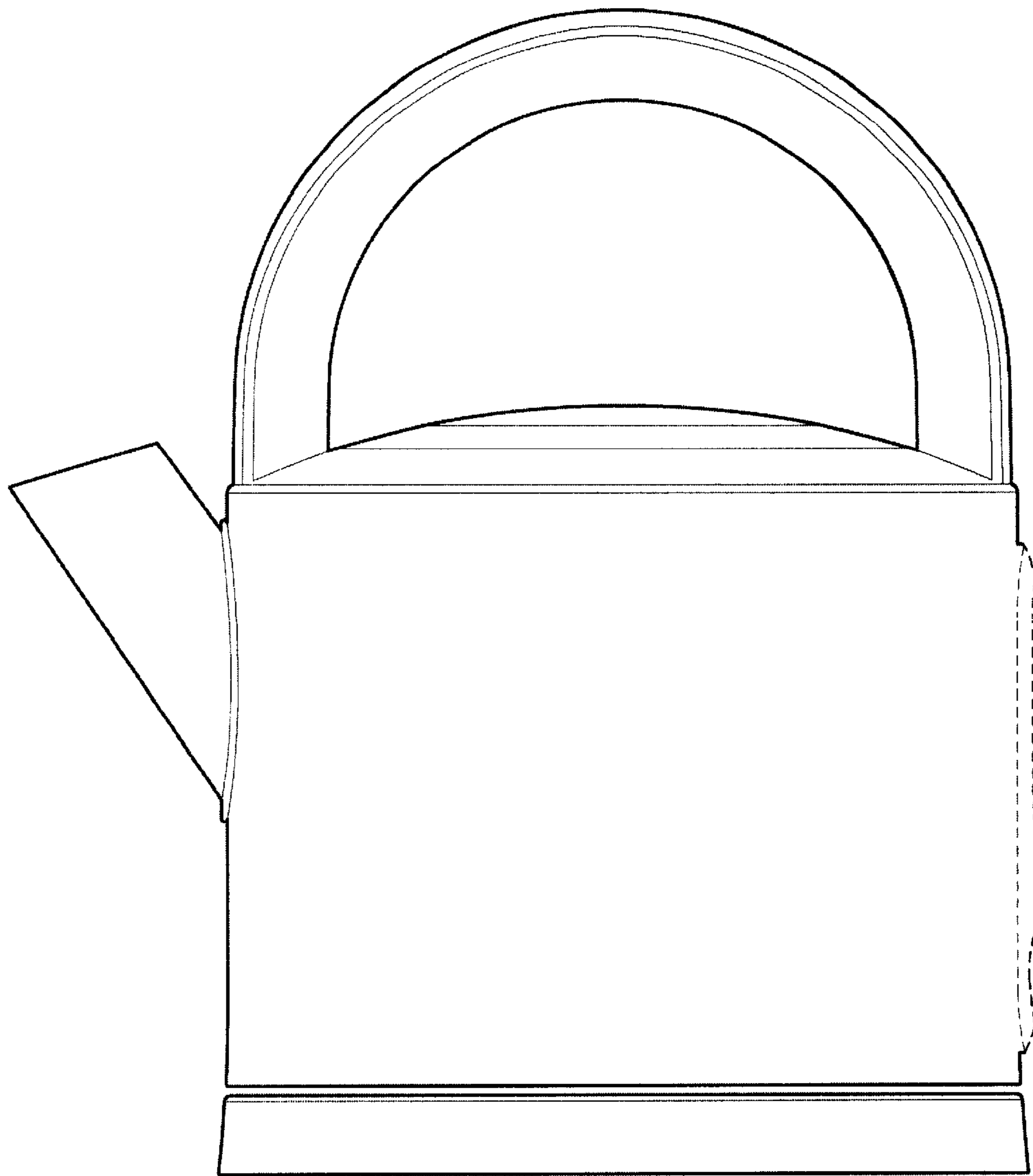


FIG. 4

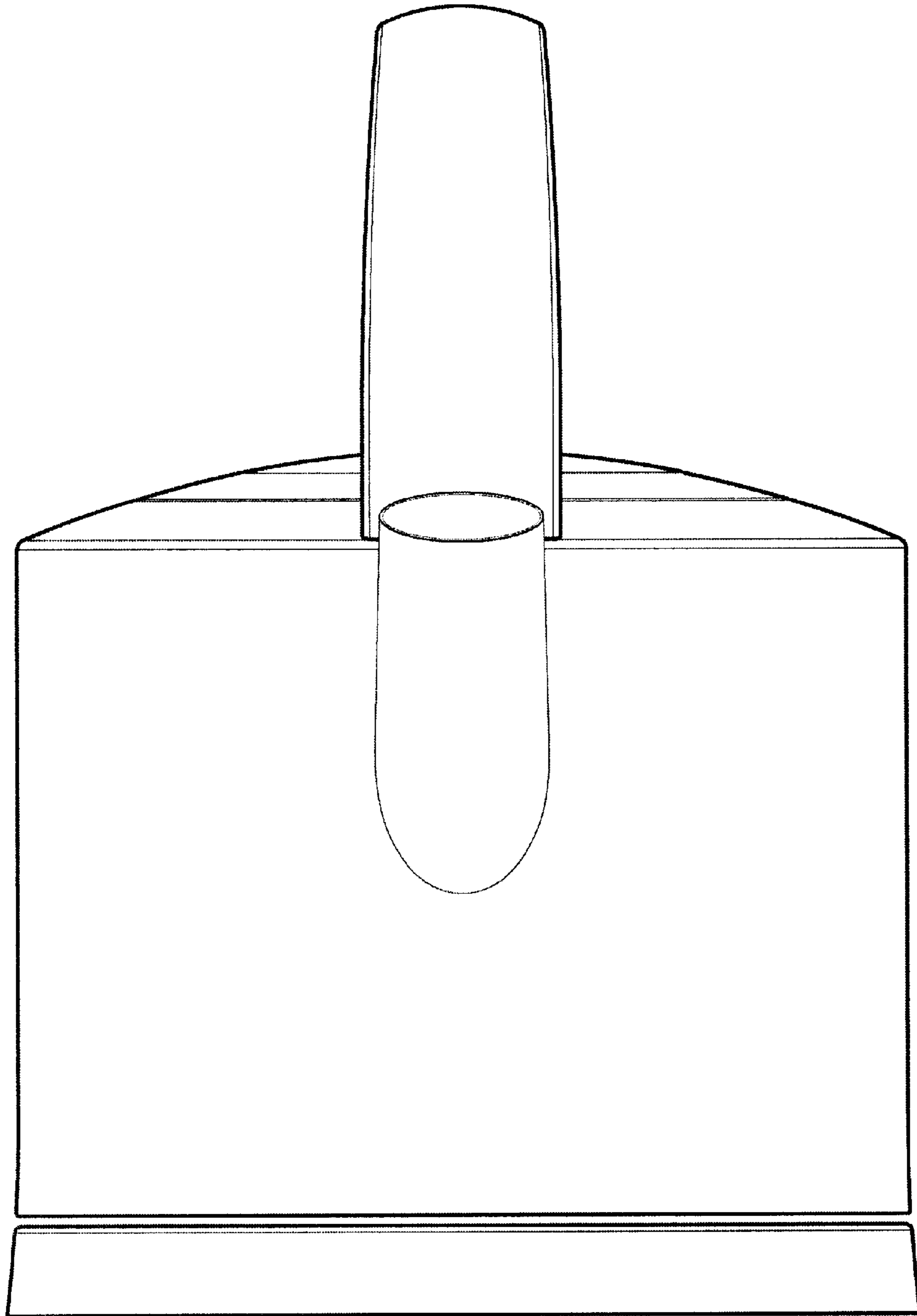


FIG. 5

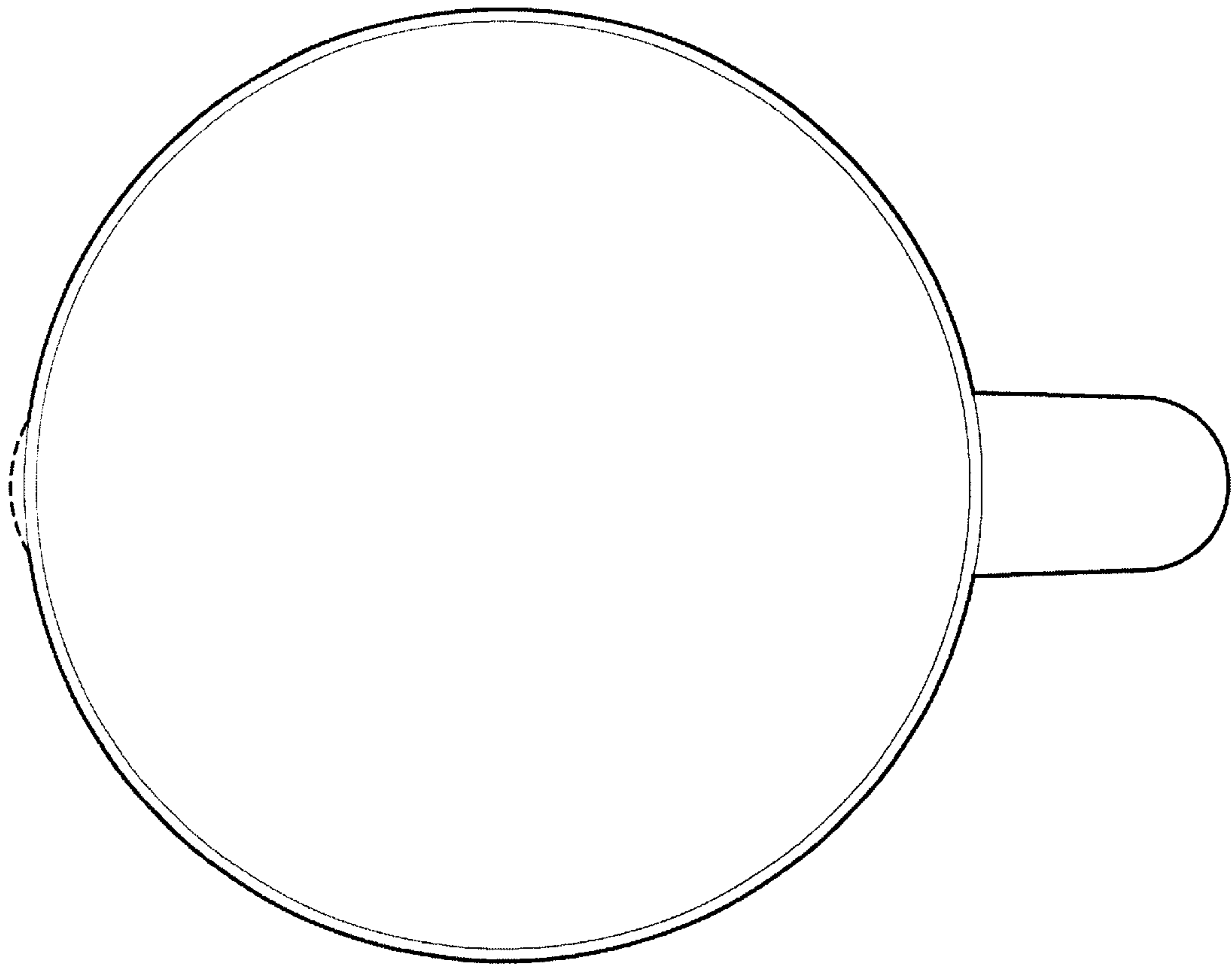


FIG. 6

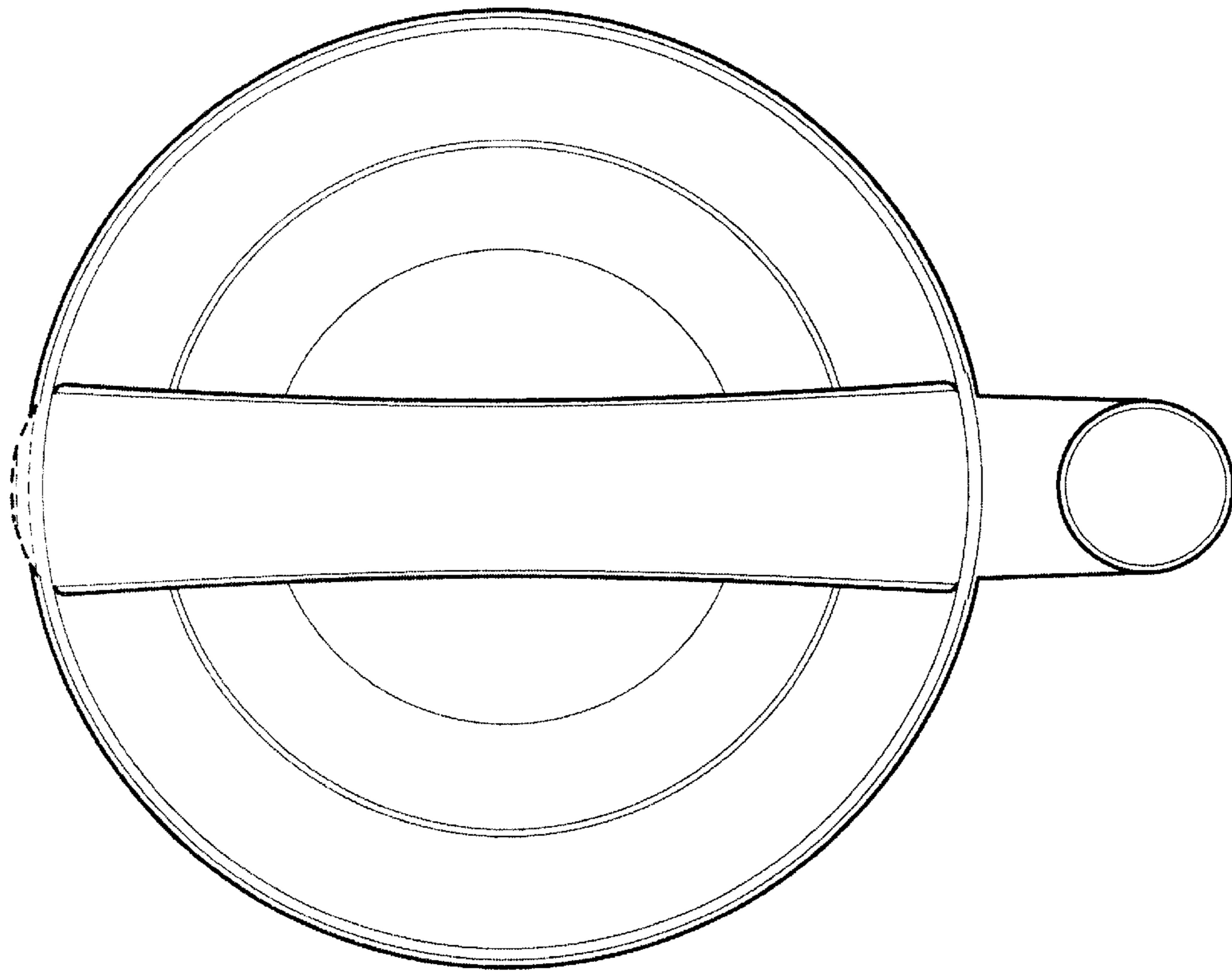


FIG. 7