



US00D526828S

(12) **United States Design Patent**
Jordana

(10) **Patent No.:** **US D526,828 S**

(45) **Date of Patent:** **** Aug. 22, 2006**

(54) **COFFEE MACHINE**

(75) Inventor: **Luis Moreno Jordana**, Vitoria-Alava (ES)

(73) Assignee: **Celaya, Emparanza y Galdos, Internacional, S.A.**, Vitoria-Alava (ES)

(**) Term: **14 Years**

(21) Appl. No.: **29/243,353**

(22) Filed: **Nov. 23, 2005**

(51) **LOC (8) Cl.** **07-01**

(52) **U.S. Cl.** **D7/309; D7/311**

(58) **Field of Classification Search** D7/309-311,
D7/300; 222/129.1-129.4; 99/305, 306, 285,
99/289 R, 279, 293; 141/100

See application file for complete search history.

(56) **References Cited**

U.S. PATENT DOCUMENTS

- D324,621 S * 3/1992 Haslacher D7/309
- D340,381 S * 10/1993 Mermillod D7/309
- D400,046 S * 10/1998 Seiffert D7/309
- D414,371 S * 9/1999 Seiffert D7/309
- D431,748 S * 10/2000 Cahen D7/309
- D431,749 S * 10/2000 Cahen D7/309

- D431,751 S * 10/2000 Cahen D7/309
- D441,593 S * 5/2001 Gudefin D7/309
- D481,580 S * 11/2003 Daniels et al. D7/309
- D481,901 S * 11/2003 Daniels et al. D7/309
- D486,346 S * 2/2004 Jonsson D7/309
- D510,675 S * 10/2005 Ball D7/306
- D514,370 S * 2/2006 Jacques D7/309
- D515,862 S * 2/2006 Pighetti D7/309

* cited by examiner

Primary Examiner—M. N. Pandozzi

(74) *Attorney, Agent, or Firm*—Egbert Law Offices

(57) **CLAIM**

I claim the ornamental design for a coffee machine, as shown and described.

DESCRIPTION

FIG. 1 is an upper perspective view of the coffee machine showing my design.

FIG. 2 is a side view thereof;

FIG. 3 is a front view thereof;

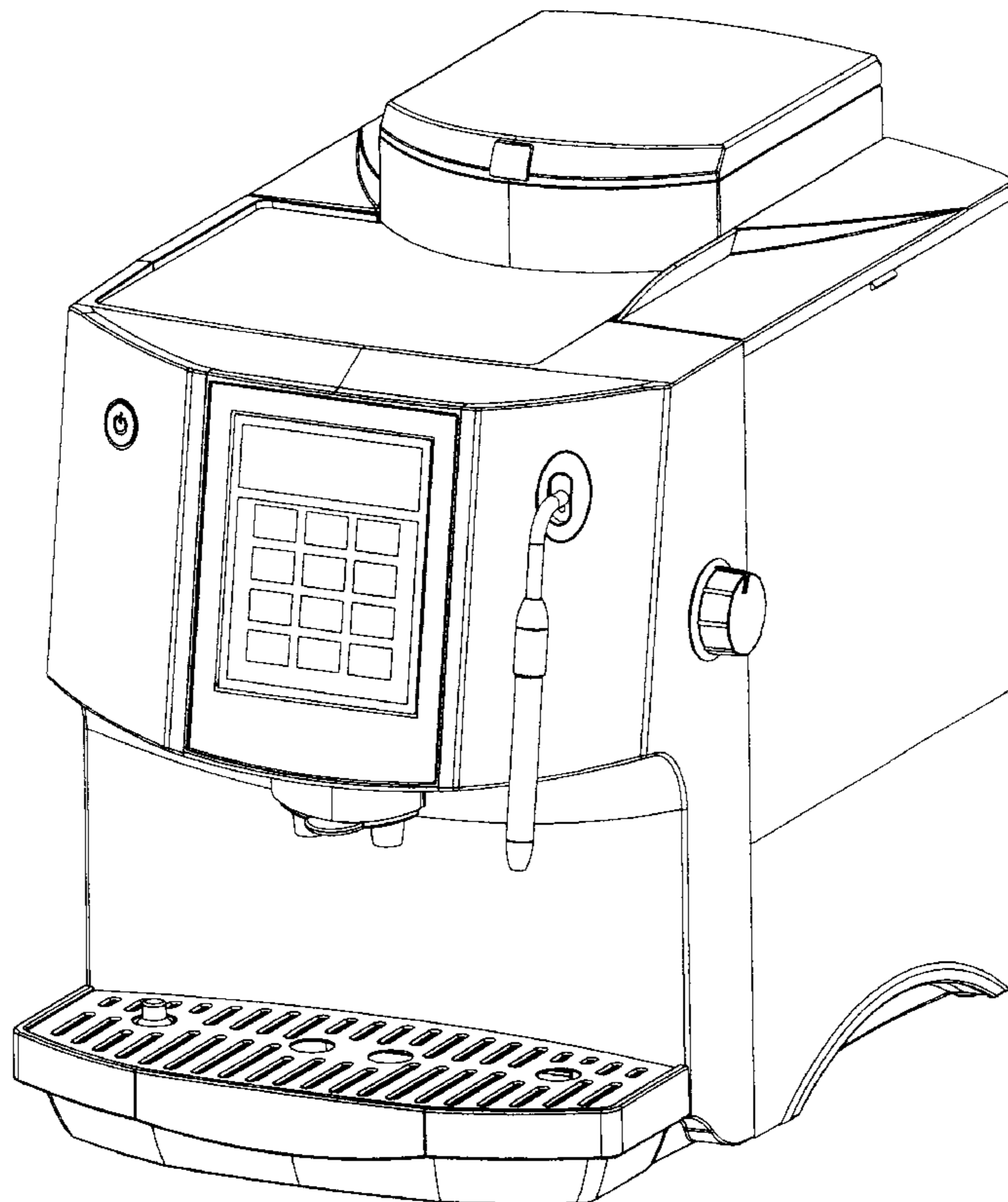
FIG. 4 is an opposite side view thereof;

FIG. 5 is a back view thereof;

FIG. 6 is a top plan view thereof; and,

FIG. 7 is a bottom view thereof.

1 Claim, 7 Drawing Sheets



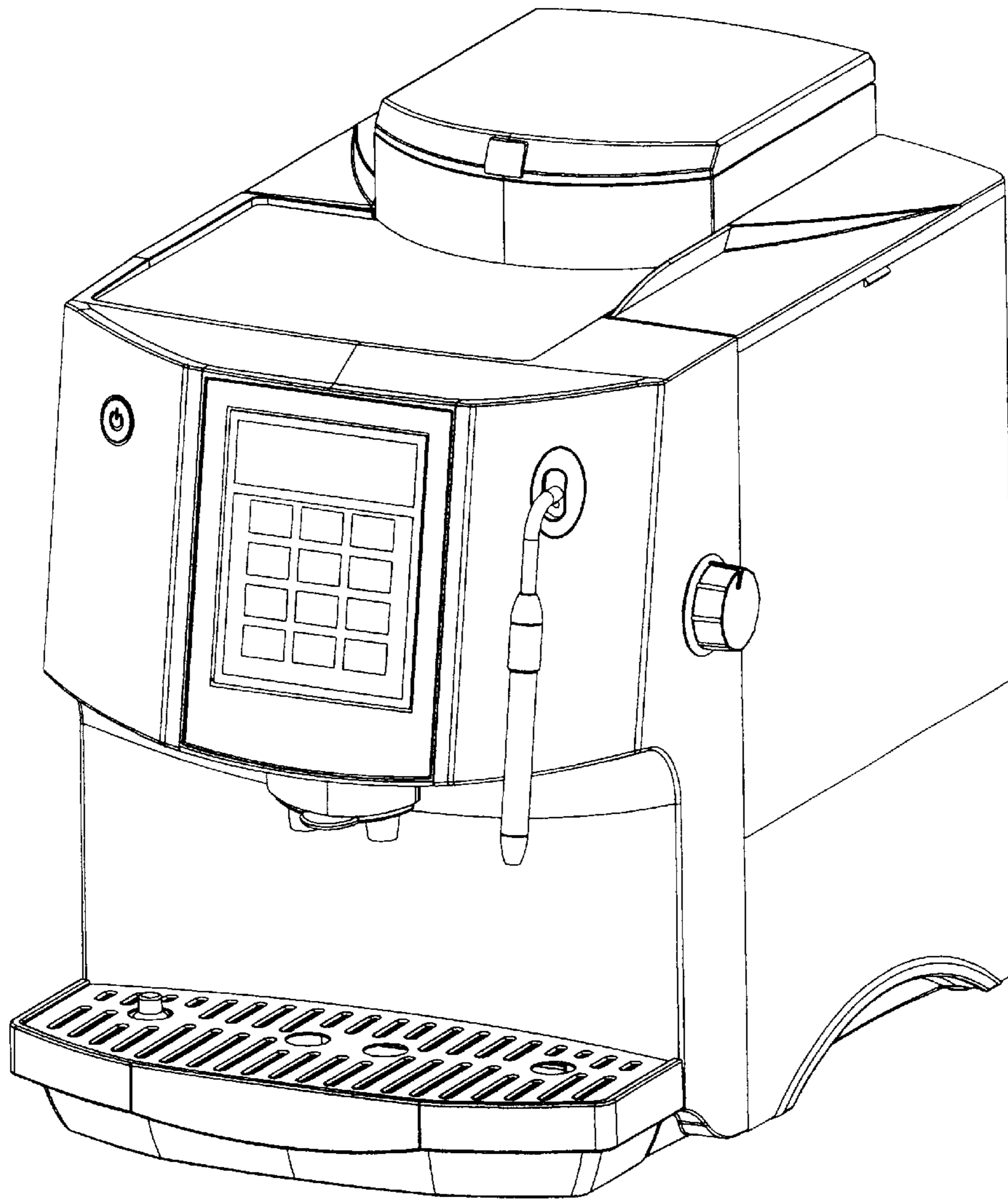


FIG. 1

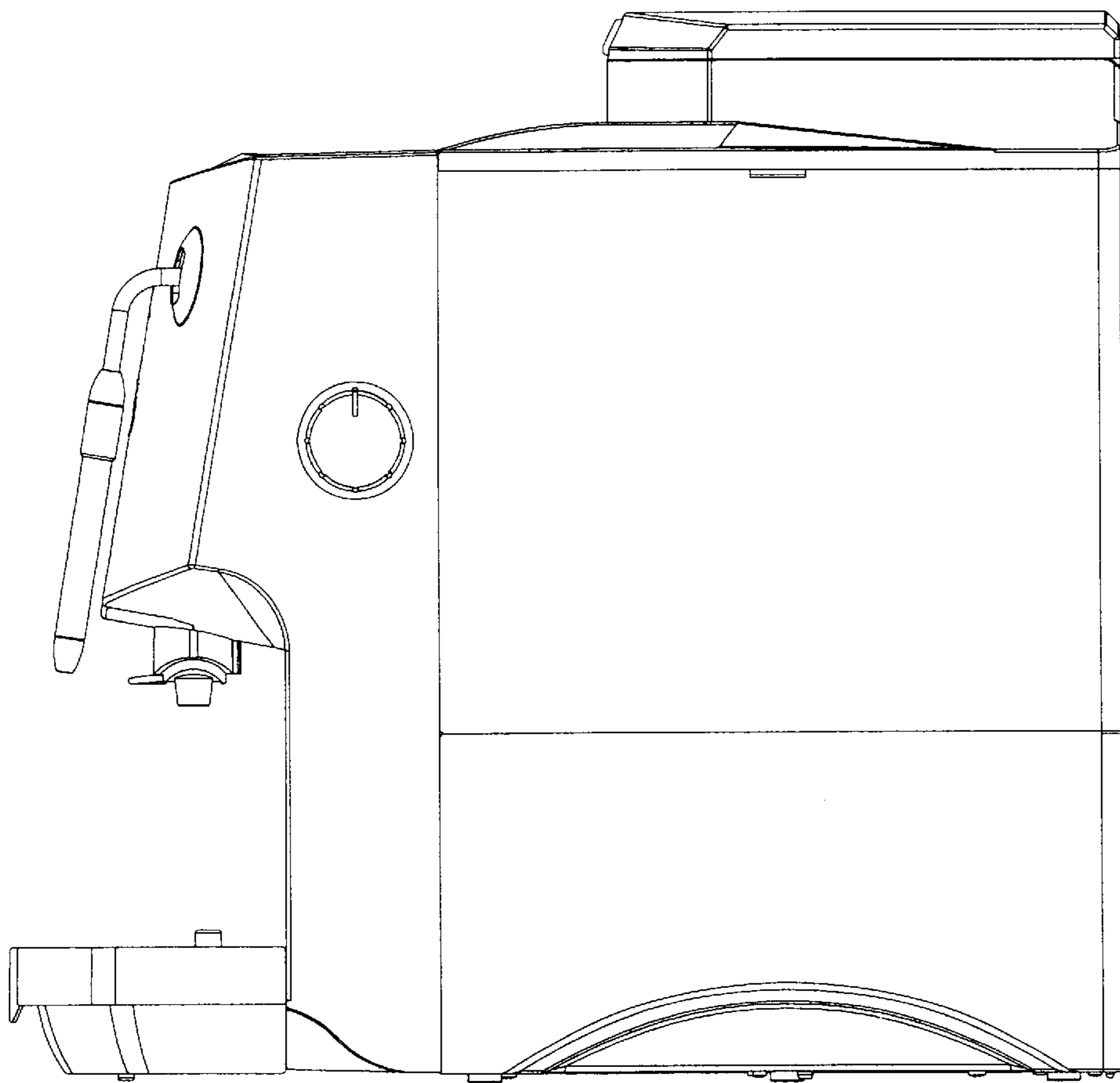


FIG. 2

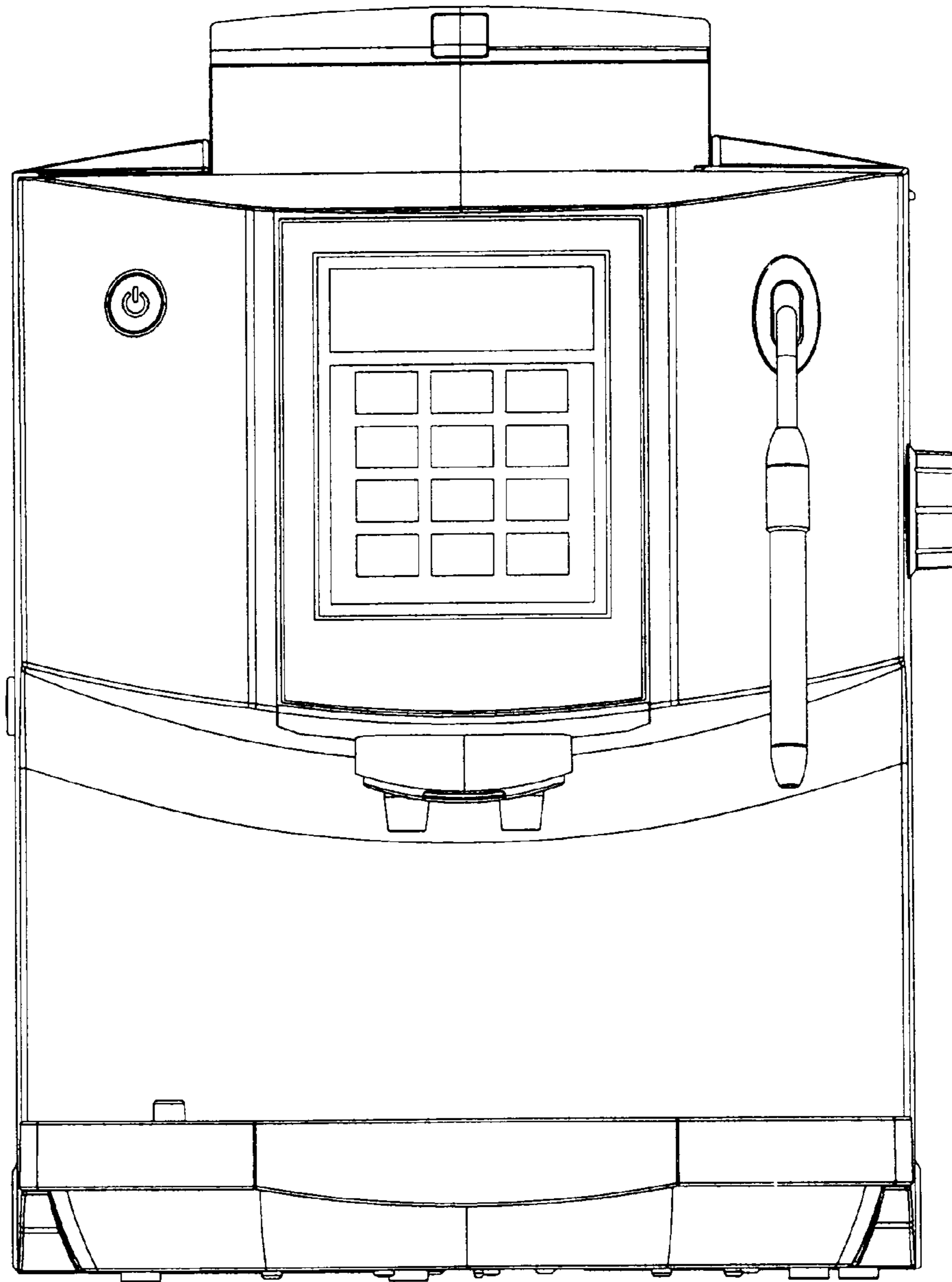


FIG. 3

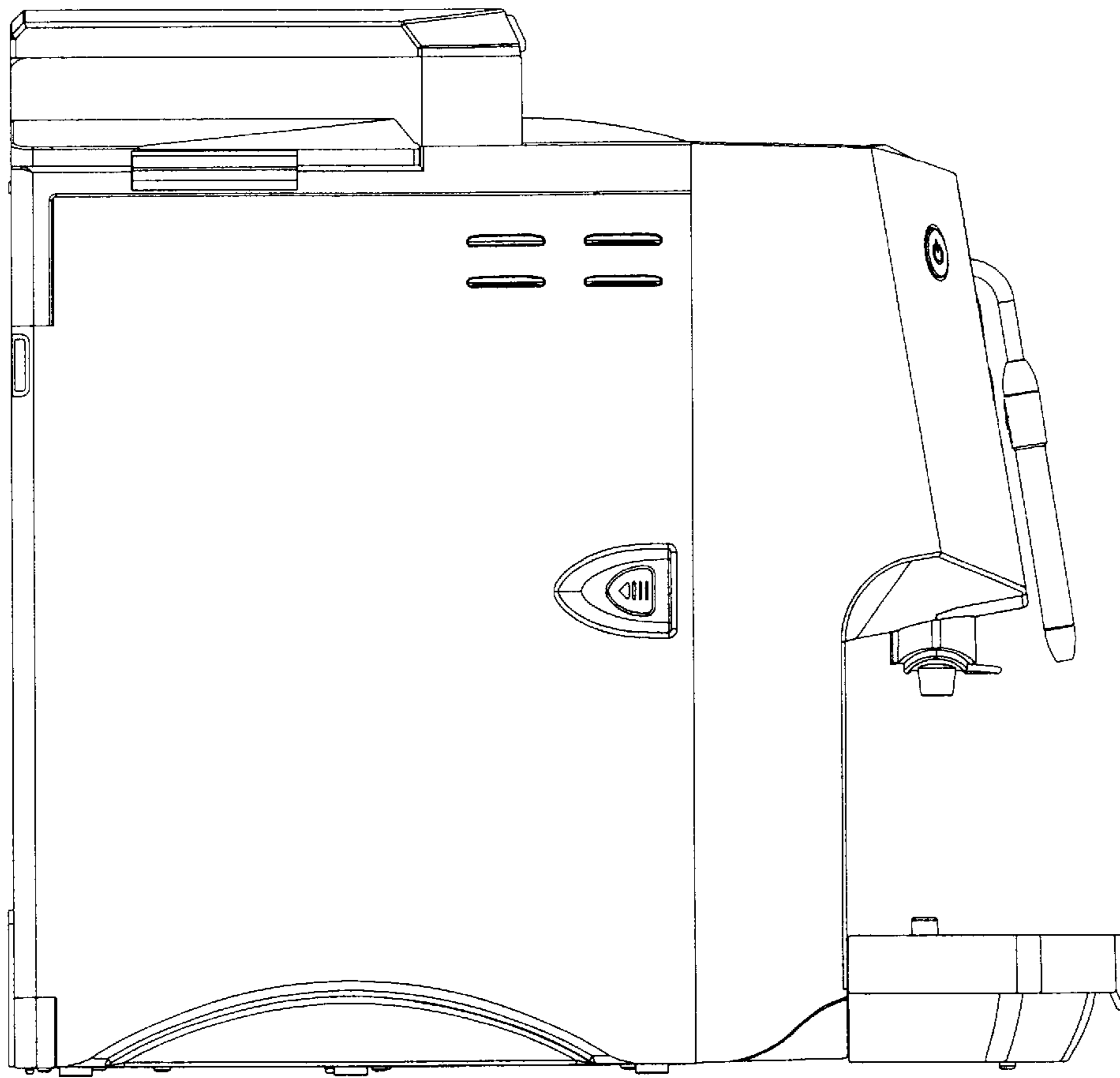


FIG. 4

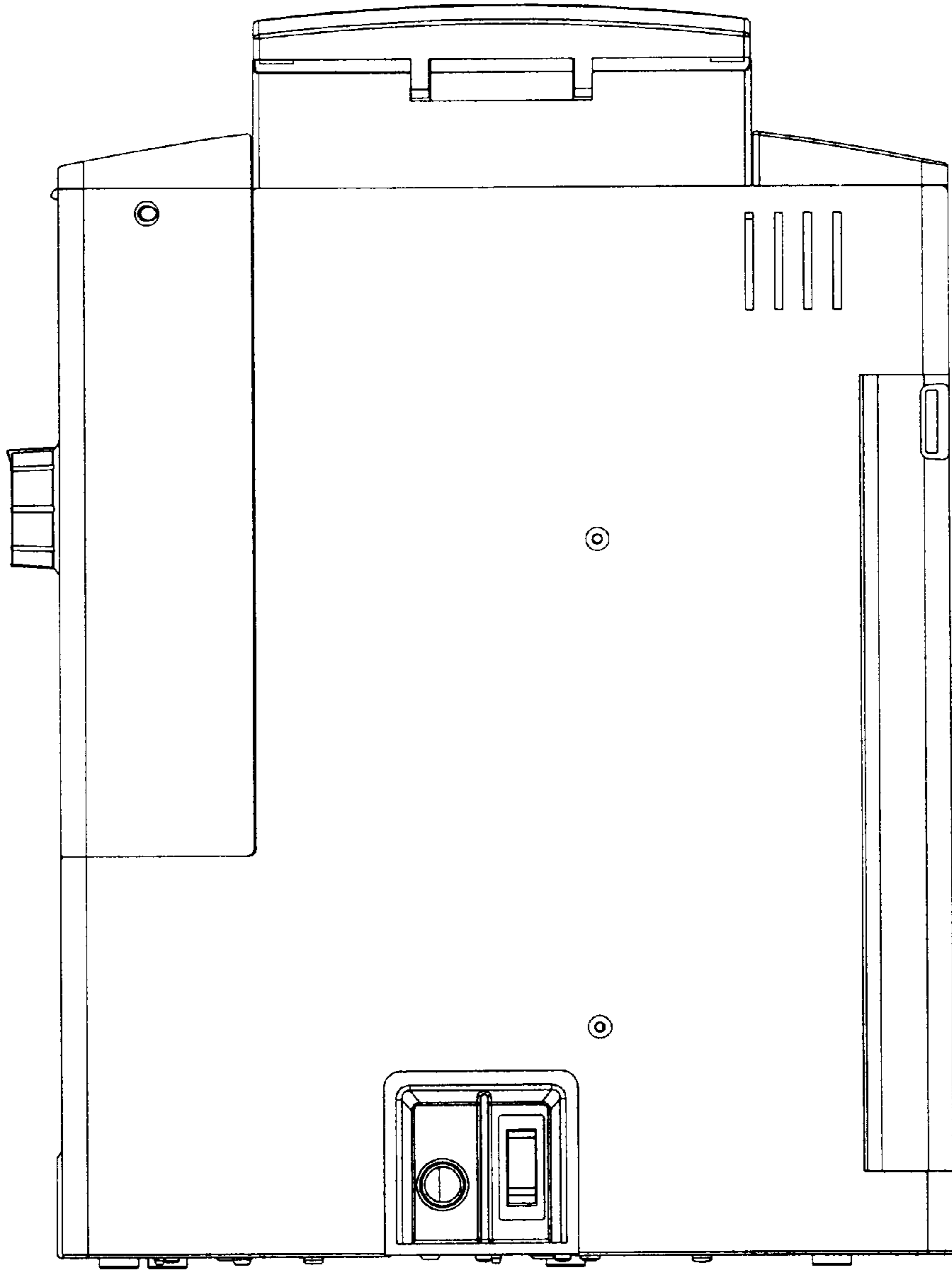


FIG. 5

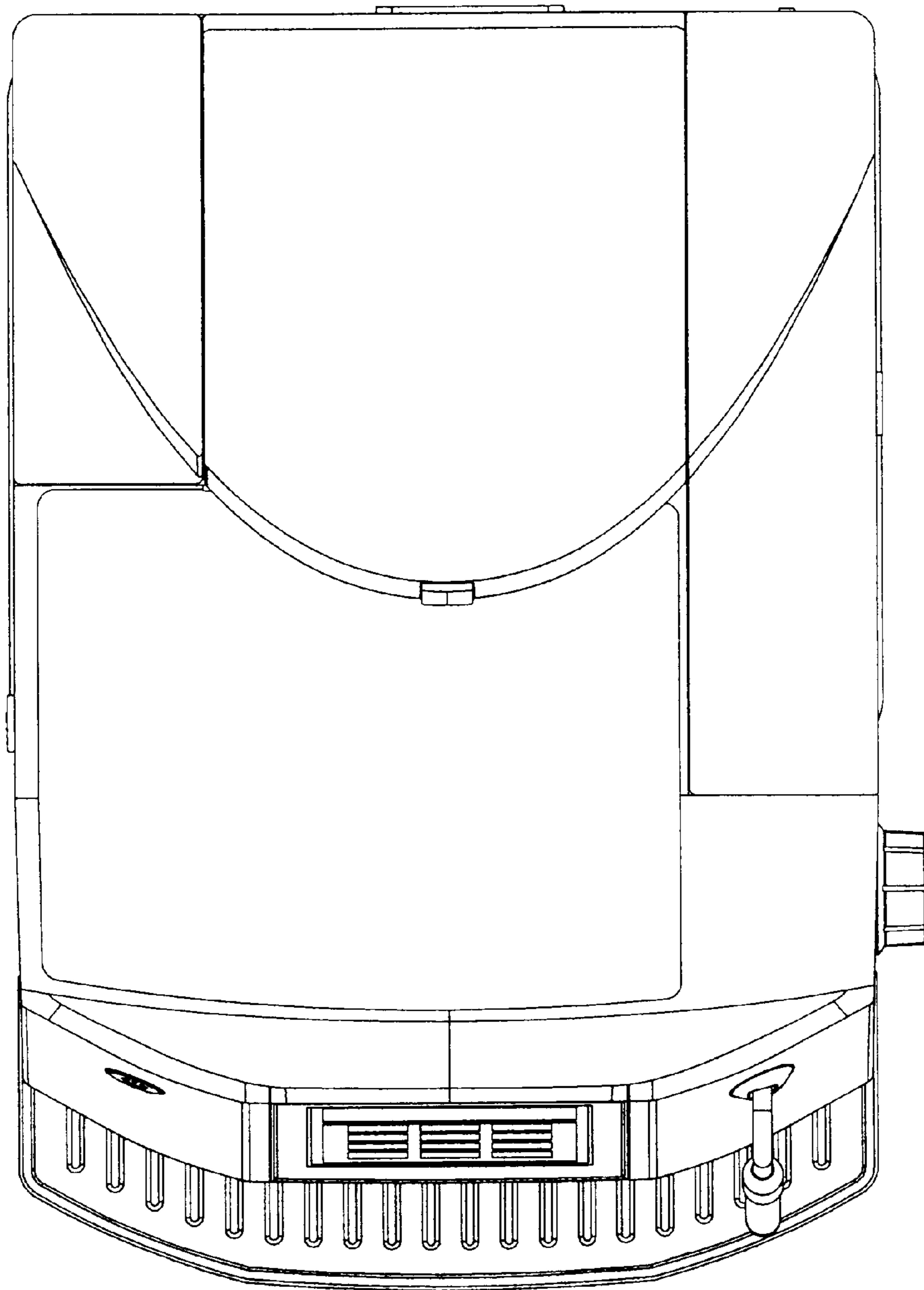


FIG. 6

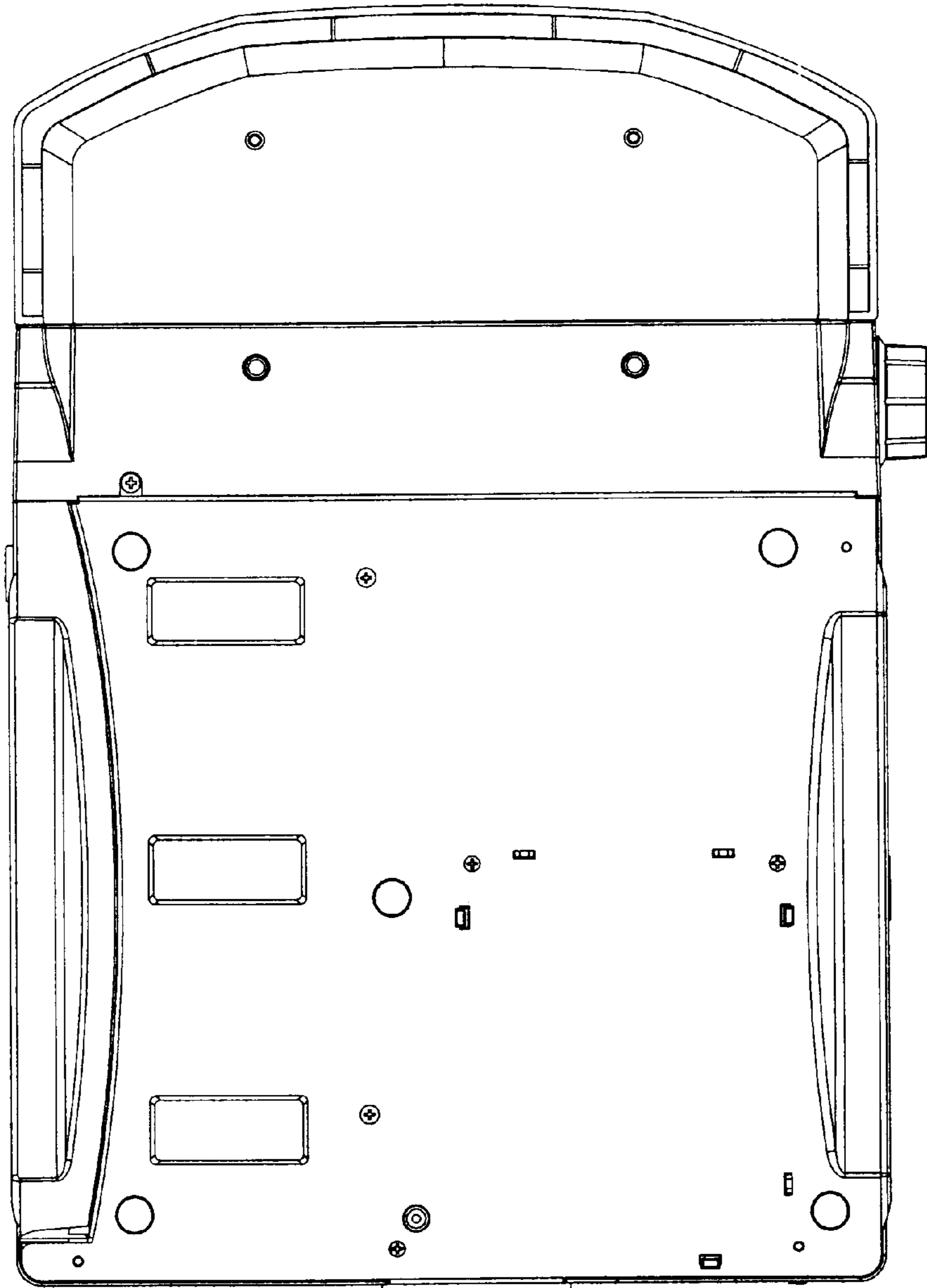


FIG. 7