



US00D526824S

(12) **United States Design Patent** (10) **Patent No.:** **US D526,824 S**
Muller (45) **Date of Patent:** **** Aug. 22, 2006**

(54) **SEAT FRAME**

(75) Inventor: **Carl A. Muller**, Huntington Beach, CA (US)

(73) Assignee: **Elite Manufacturing Corporation**, Santa Fe Springs, CA (US)

(**) Term: **14 Years**

(21) Appl. No.: **29/236,497**

(22) Filed: **Aug. 17, 2005**

(51) **LOC (8) Cl.** **06-06**

(52) **U.S. Cl.** **D6/500; D6/360; D6/372; D6/380**

(58) **Field of Classification Search** D6/334–336, D6/360, 364, 369, 370, 371–373, 374, 375, D6/379, 380, 500–502; 297/239, 445.1, 446.1
See application file for complete search history.

(56) **References Cited**

U.S. PATENT DOCUMENTS

D52,363 S	*	8/1918	Wanner, Jr.	D6/369
D52,364 S	*	8/1918	Wanner, Jr.	D6/369
D56,951 S	*	1/1921	Wanner, Jr.	D6/369
D105,931 S	*	9/1937	Adams	D6/370
2,699,814 A	*	1/1955	Kahn	297/239
D206,118 S	*	11/1966	Bates	D6/360
D294,434 S	*	3/1988	Zakharov	D6/360
D372,807 S	*	8/1996	Huang	D6/380
D394,358 S	*	5/1998	De Blaay	D6/379
D418,687 S	*	1/2000	Tihany	D6/369
D419,321 S	*	1/2000	Rhienen	D6/369
D421,851 S	*	3/2000	Tihany	D6/360
D513,454 S	*	1/2006	Berry et al.	D6/370

* cited by examiner

Primary Examiner—Mimosa De

(74) *Attorney, Agent, or Firm*—Heslin Rothenberg Farley & Mesiti P.C.

(57) **CLAIM**

The ornamental design for a seat frame, as shown and described.

DESCRIPTION

FIG. 1 is a perspective view of a first embodiment of a seat frame in accordance with the new design;

FIG. 2 is a front elevational view thereof;

FIG. 3 is a right side elevational view thereof, a left side elevational view being a mirror image thereof;

FIG. 4 is a rear elevational view thereof;

FIG. 5 is a top view thereof;

FIG. 6 is a perspective view of a second embodiment of the seat frame having arms which is the sole difference between it and FIGS. 1 through 5;

FIG. 7 is a perspective view of a third embodiment of a seat frame in accordance with the new design;

FIG. 8 is a front elevational view thereof;

FIG. 9 is a right side elevational view thereof, a left side elevational view being a mirror image thereof;

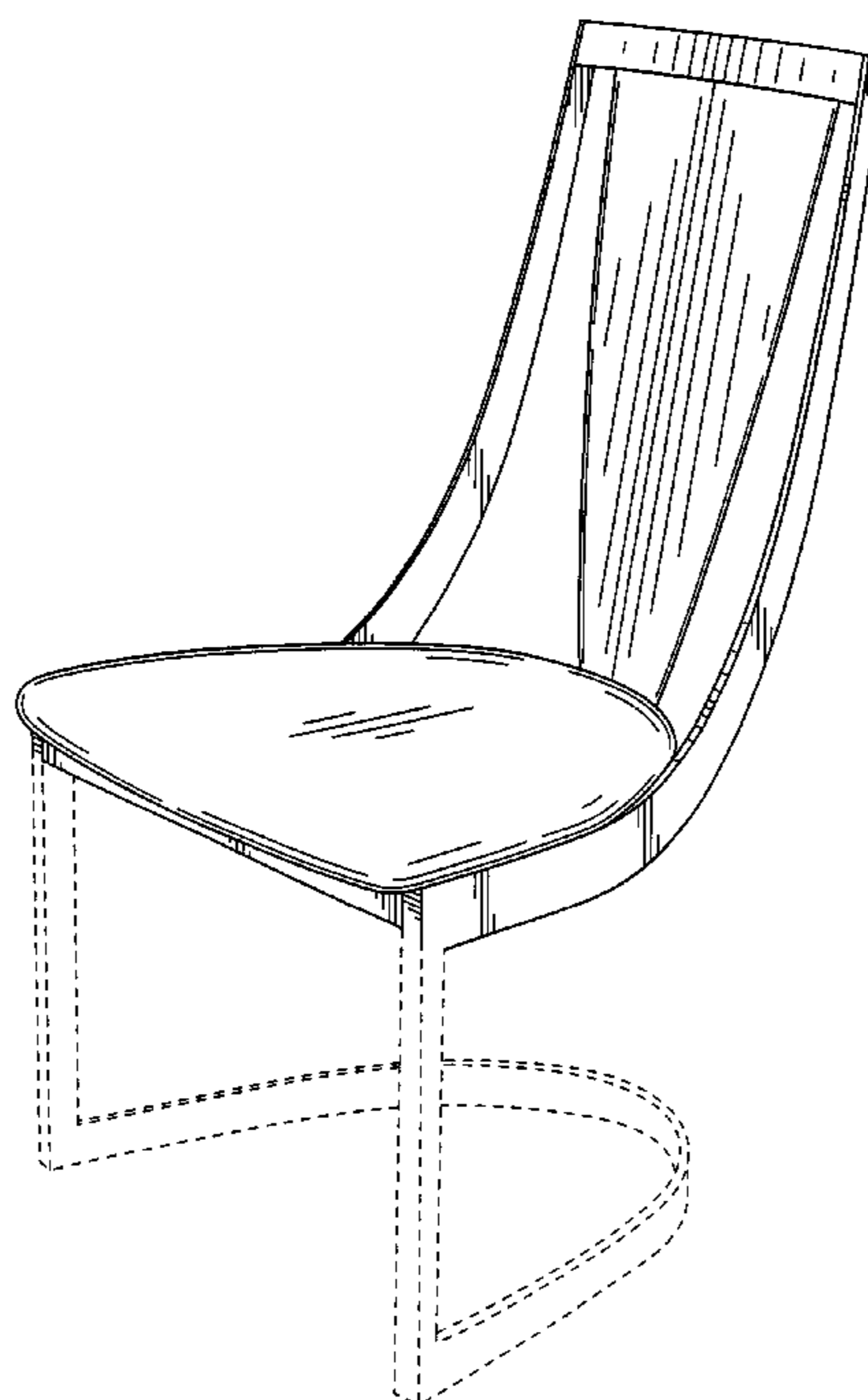
FIG. 10 is a rear elevational view thereof;

FIG. 11 is a top view thereof; and,

FIG. 12 is a perspective view of a fourth embodiment of the seat frame configured as high dining chair which is the sole difference between it and FIGS. 7 through 11.

The broken lines in the figures are for illustrative purposes only and form no part of the claimed invention.

1 Claim, 12 Drawing Sheets



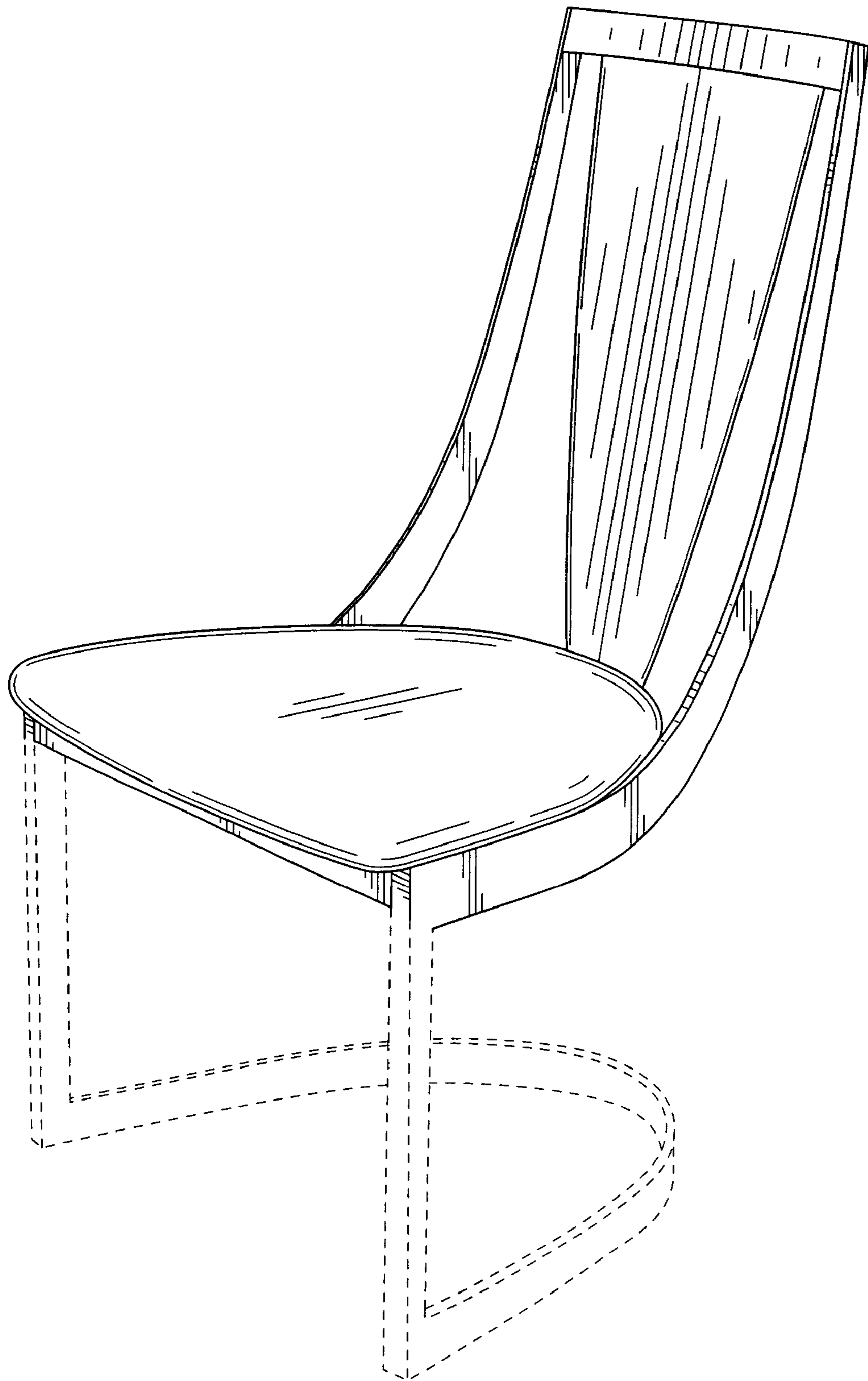


FIG. 1

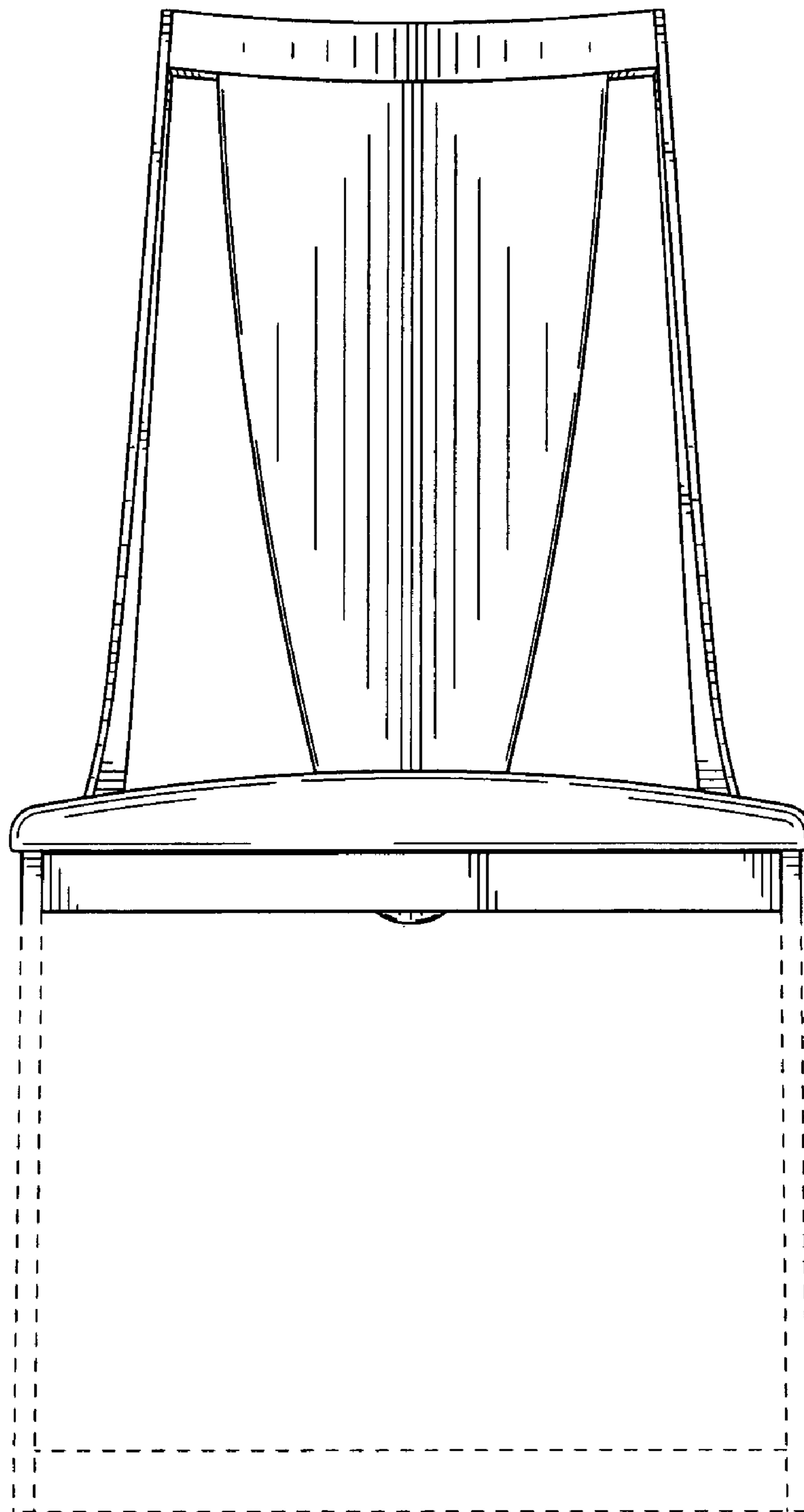


FIG. 2

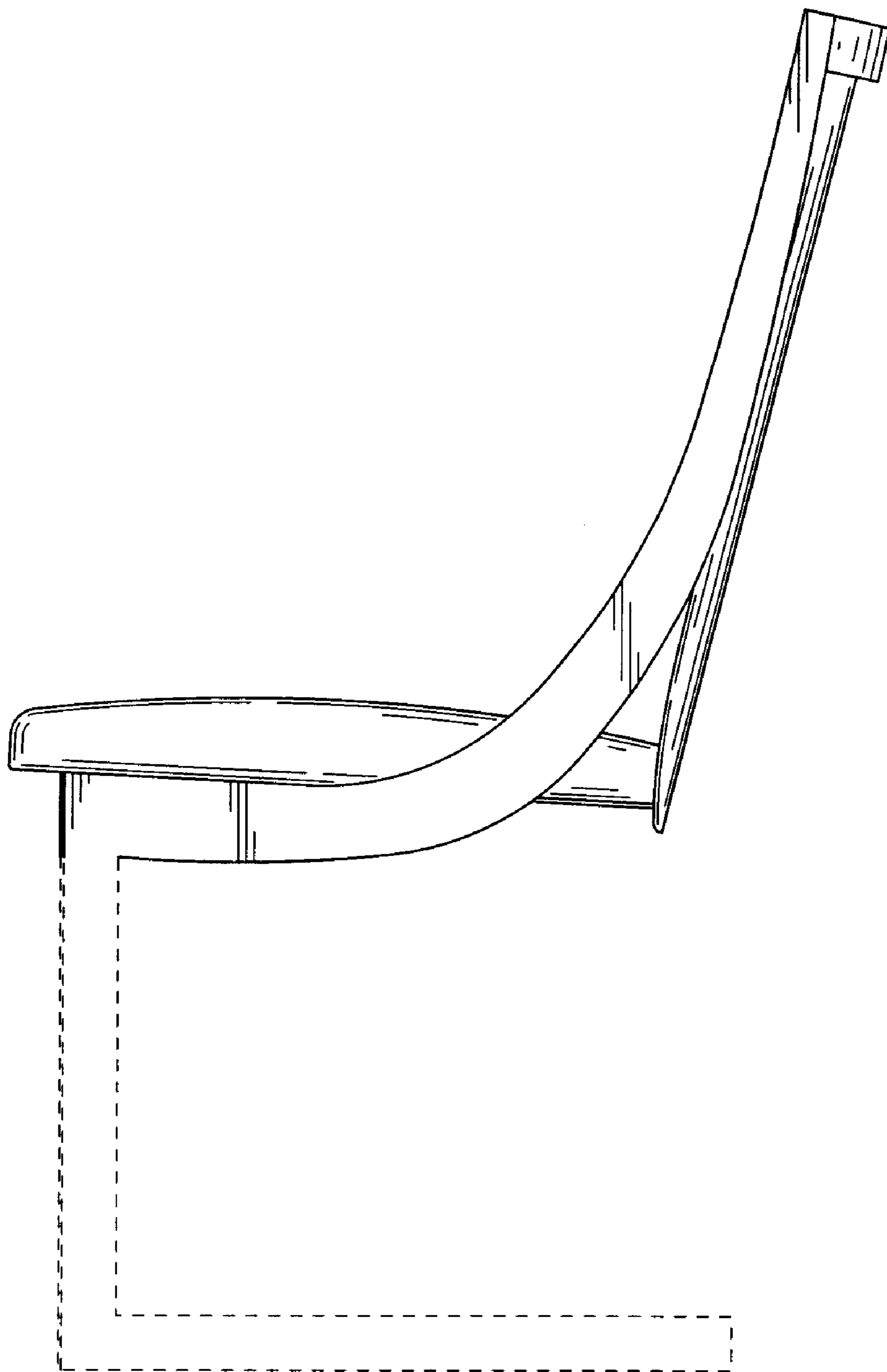


FIG. 3

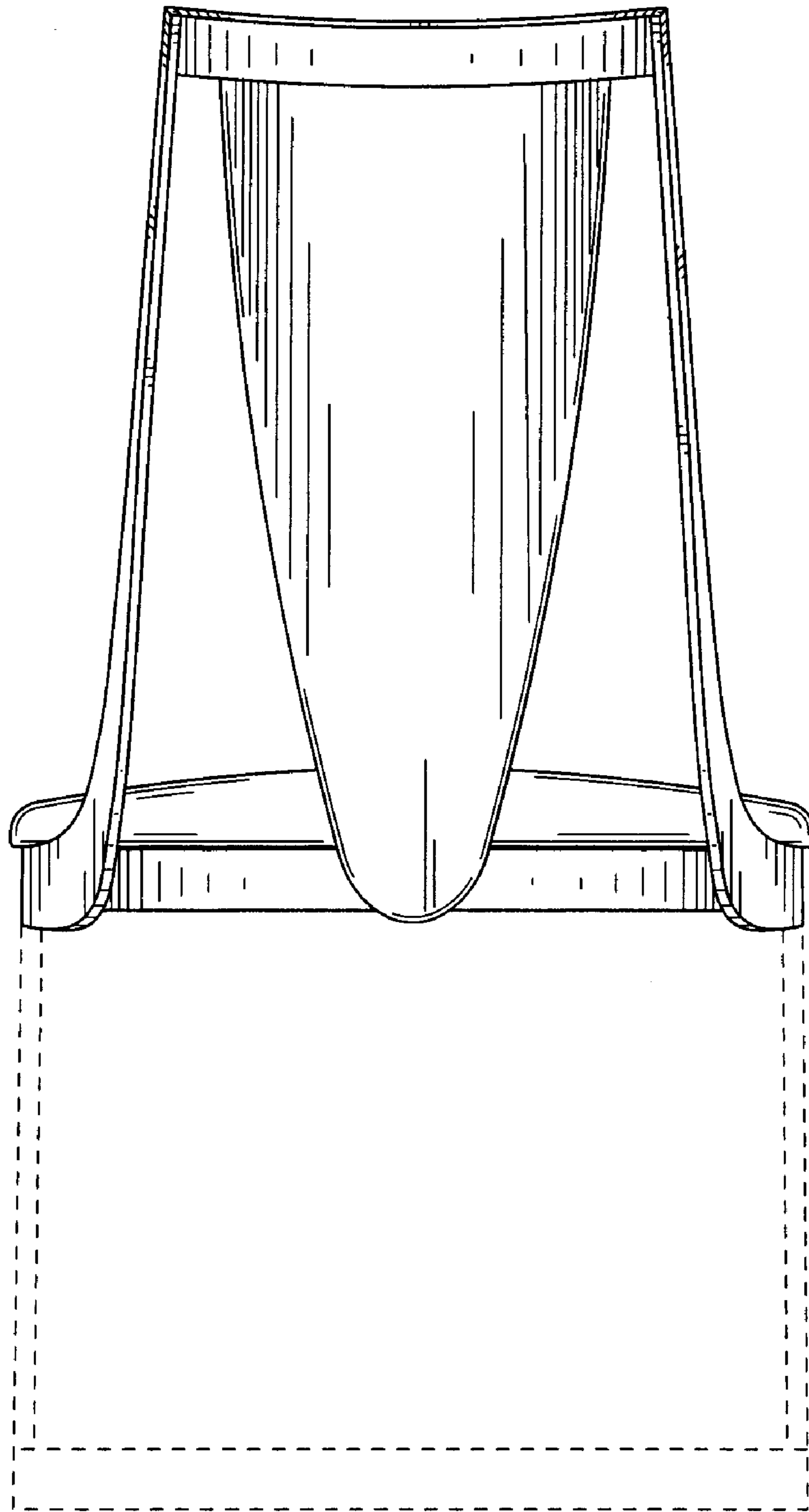


FIG. 4

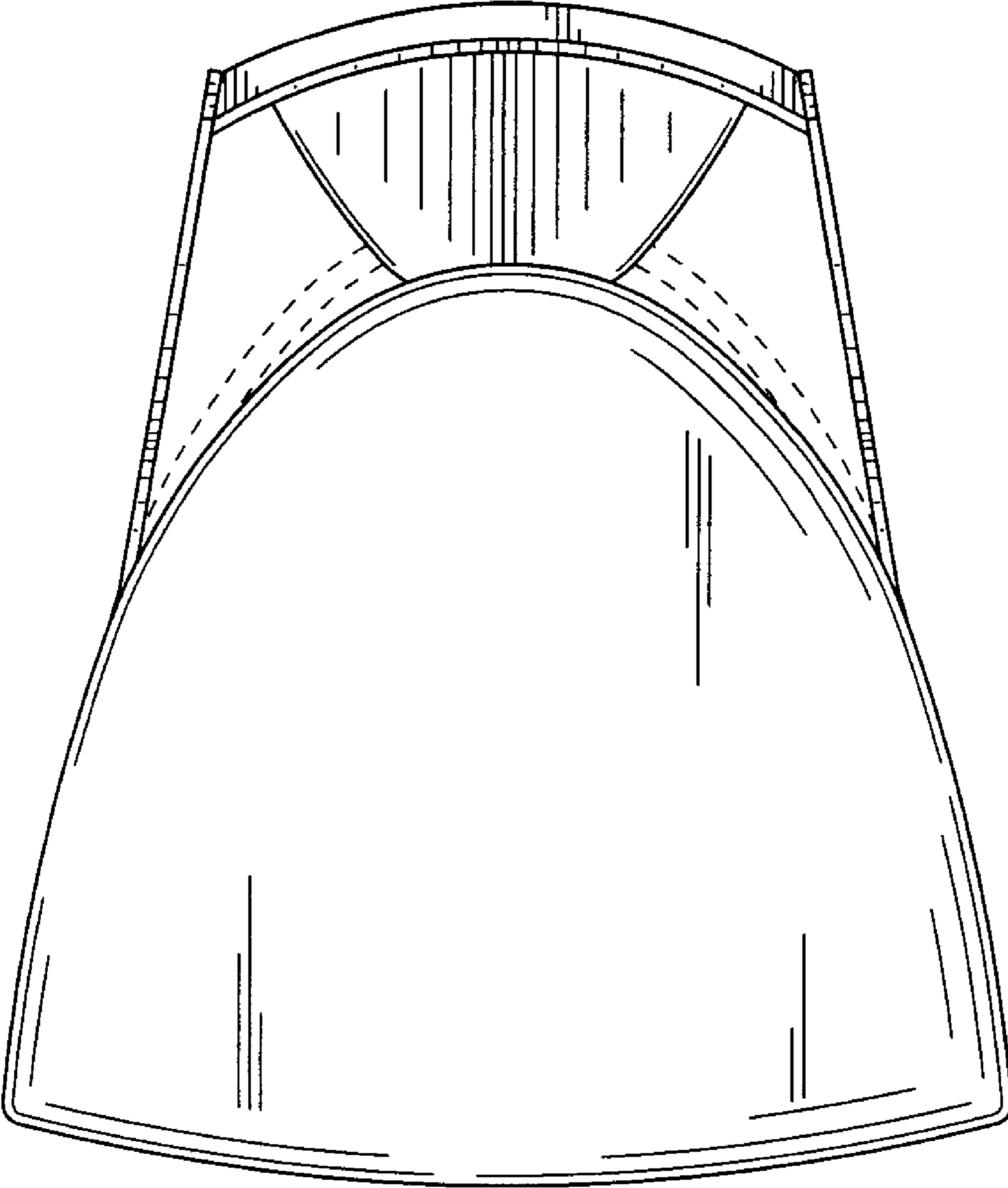


FIG. 5

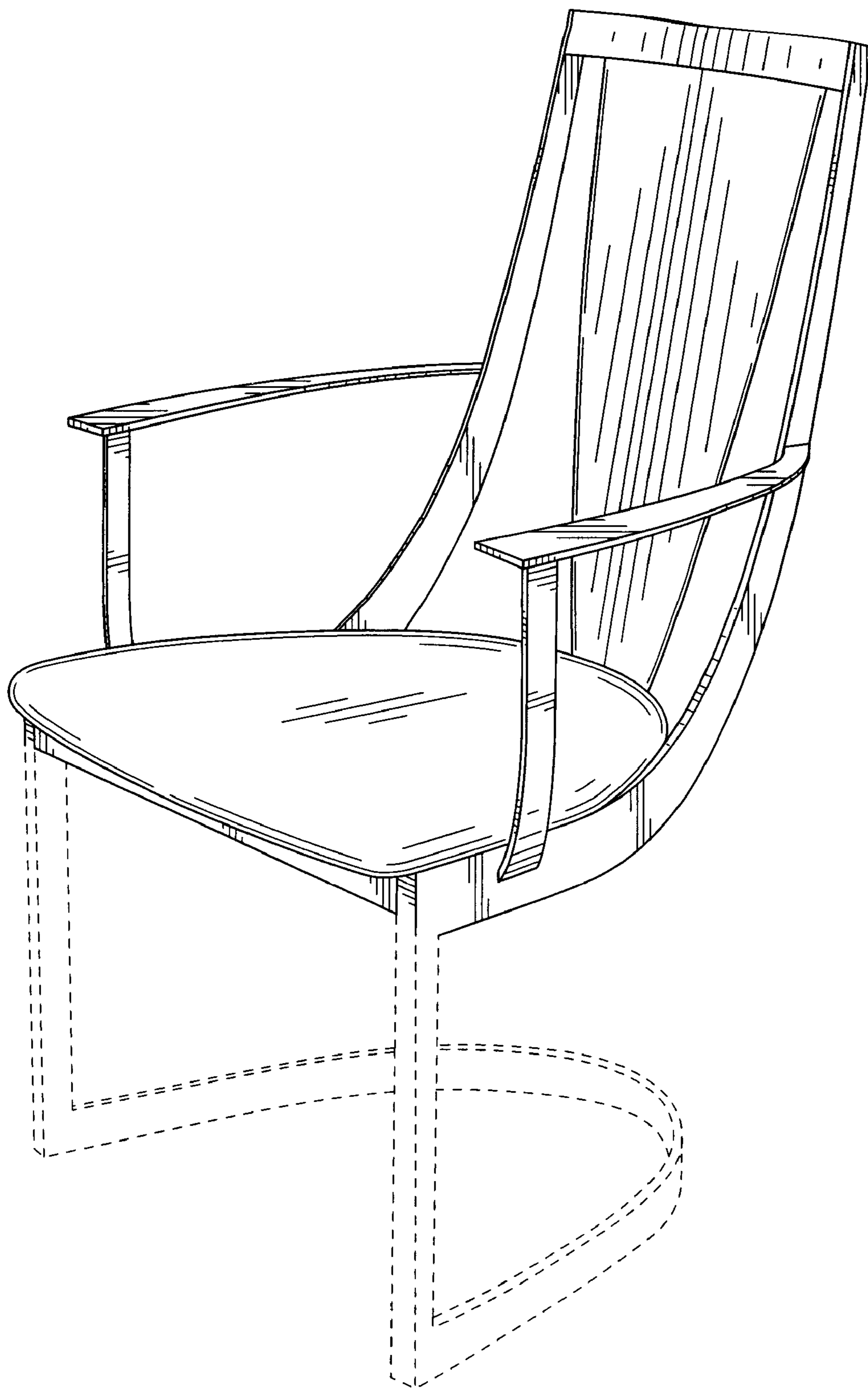


FIG. 6

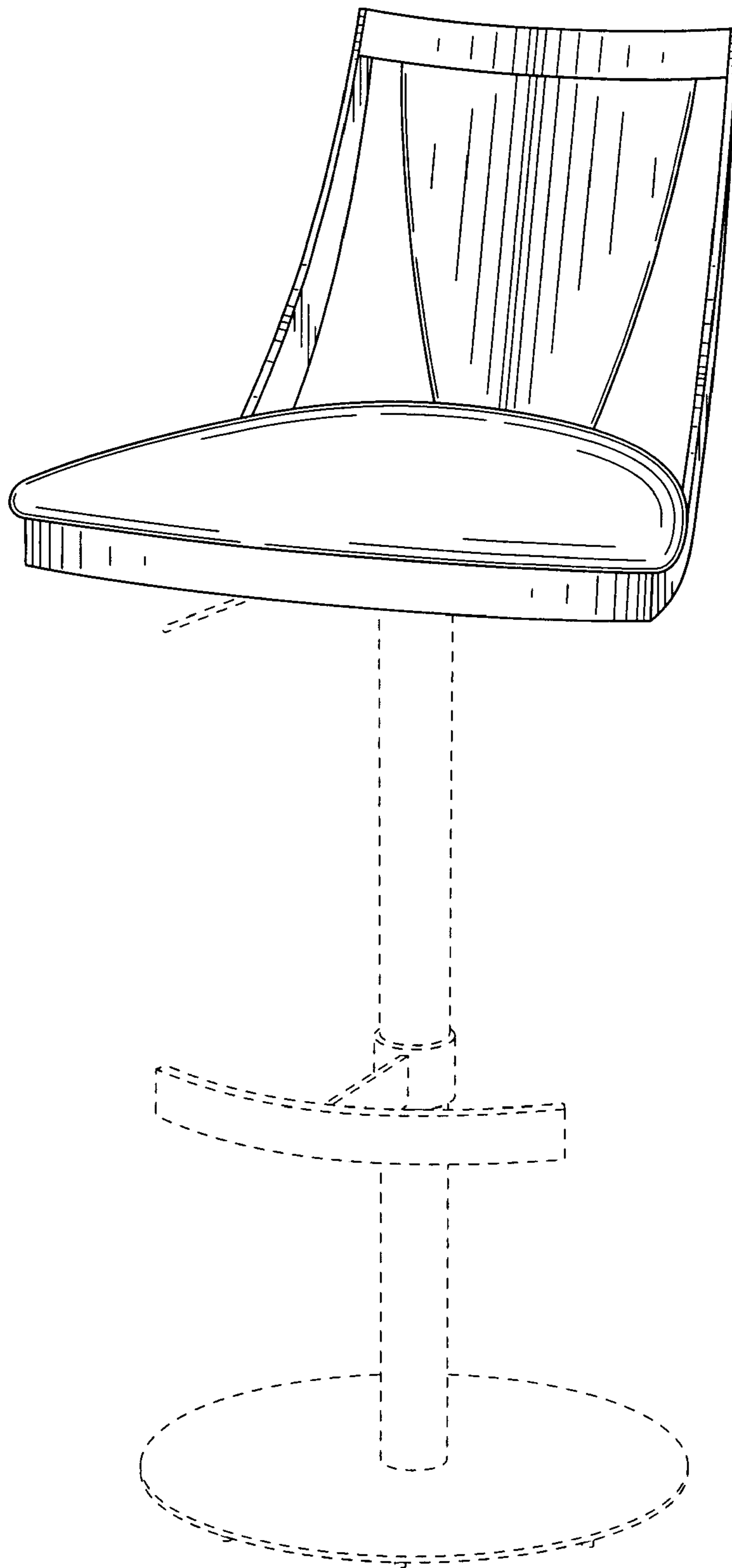


FIG. 7

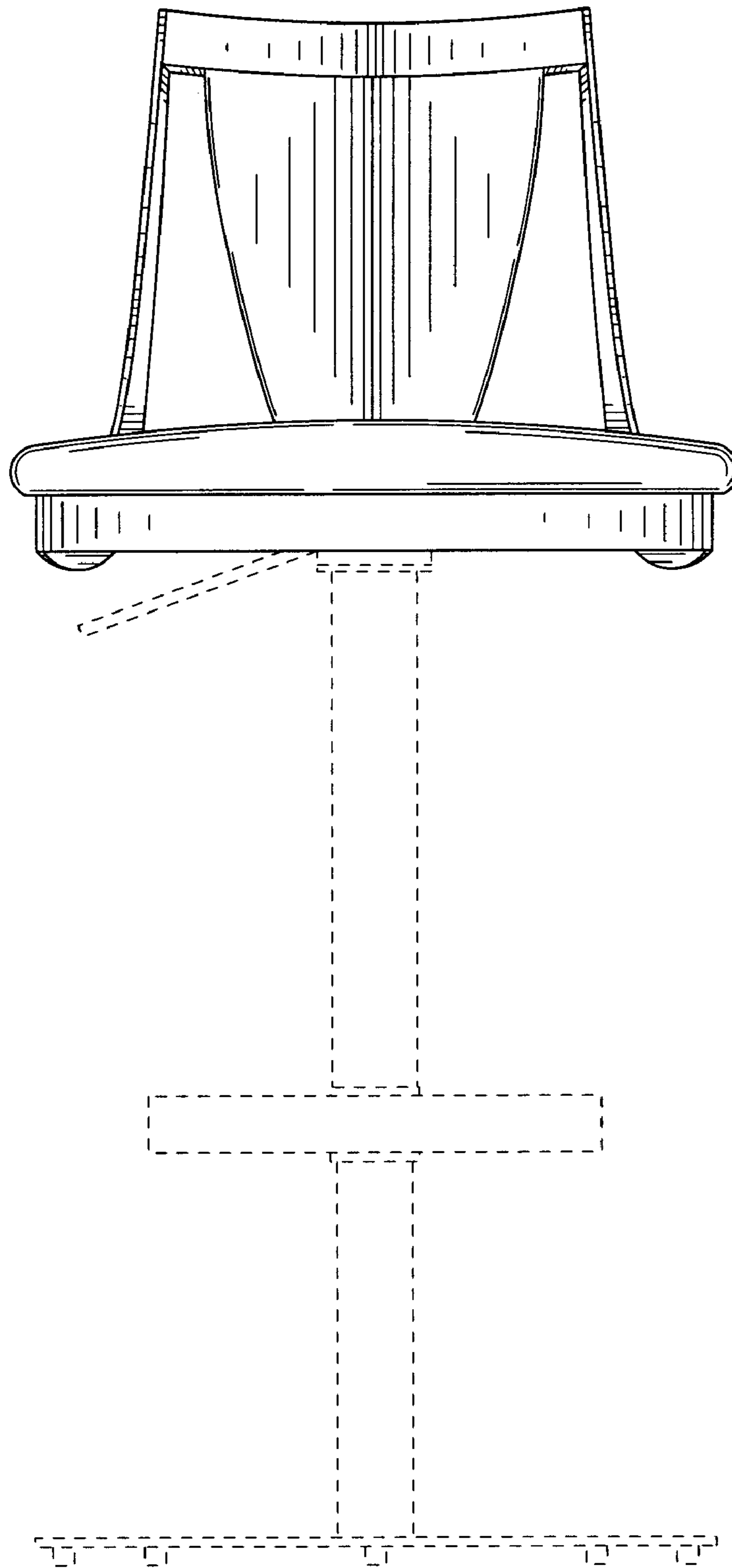


FIG. 8

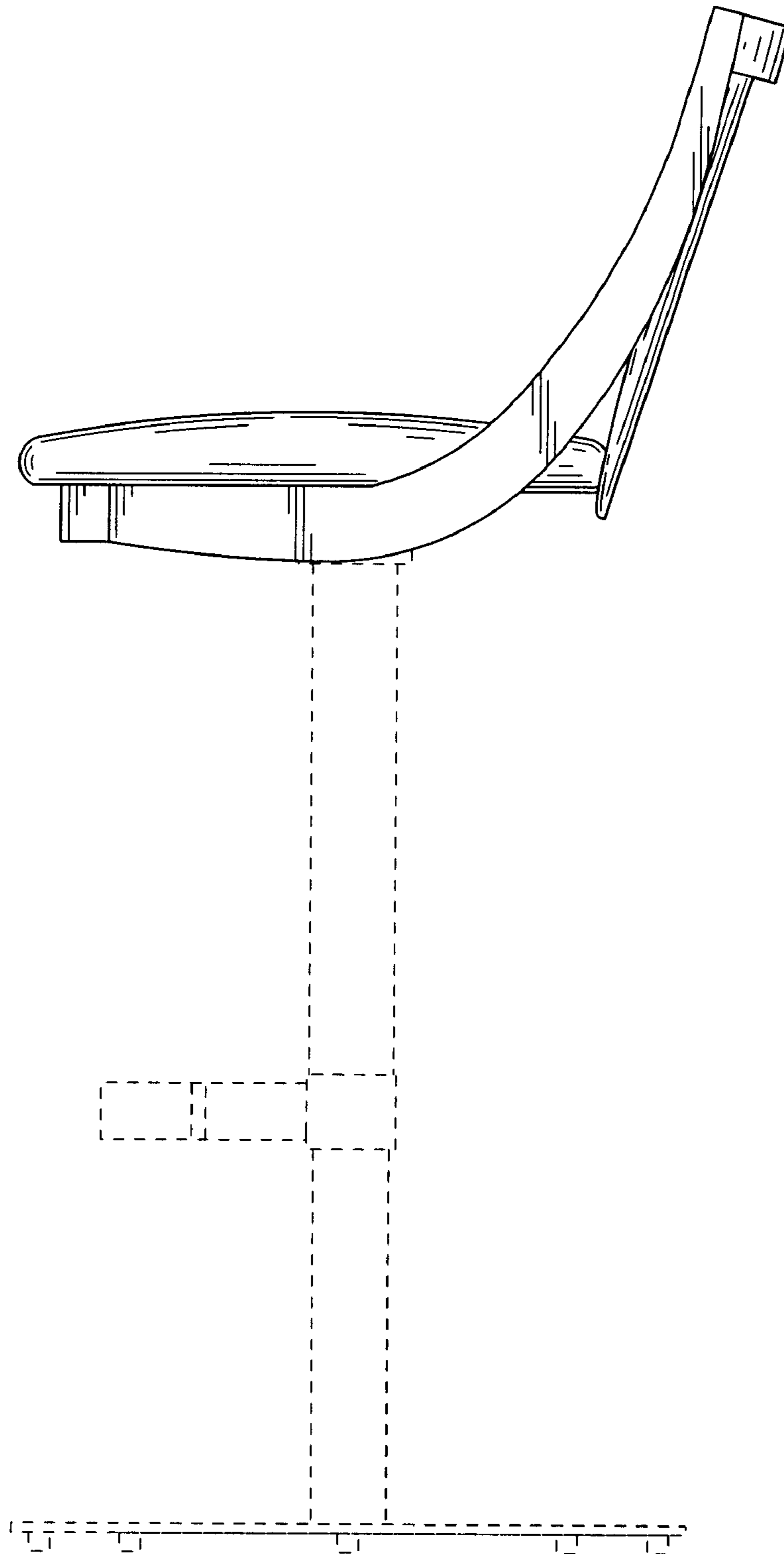


FIG. 9

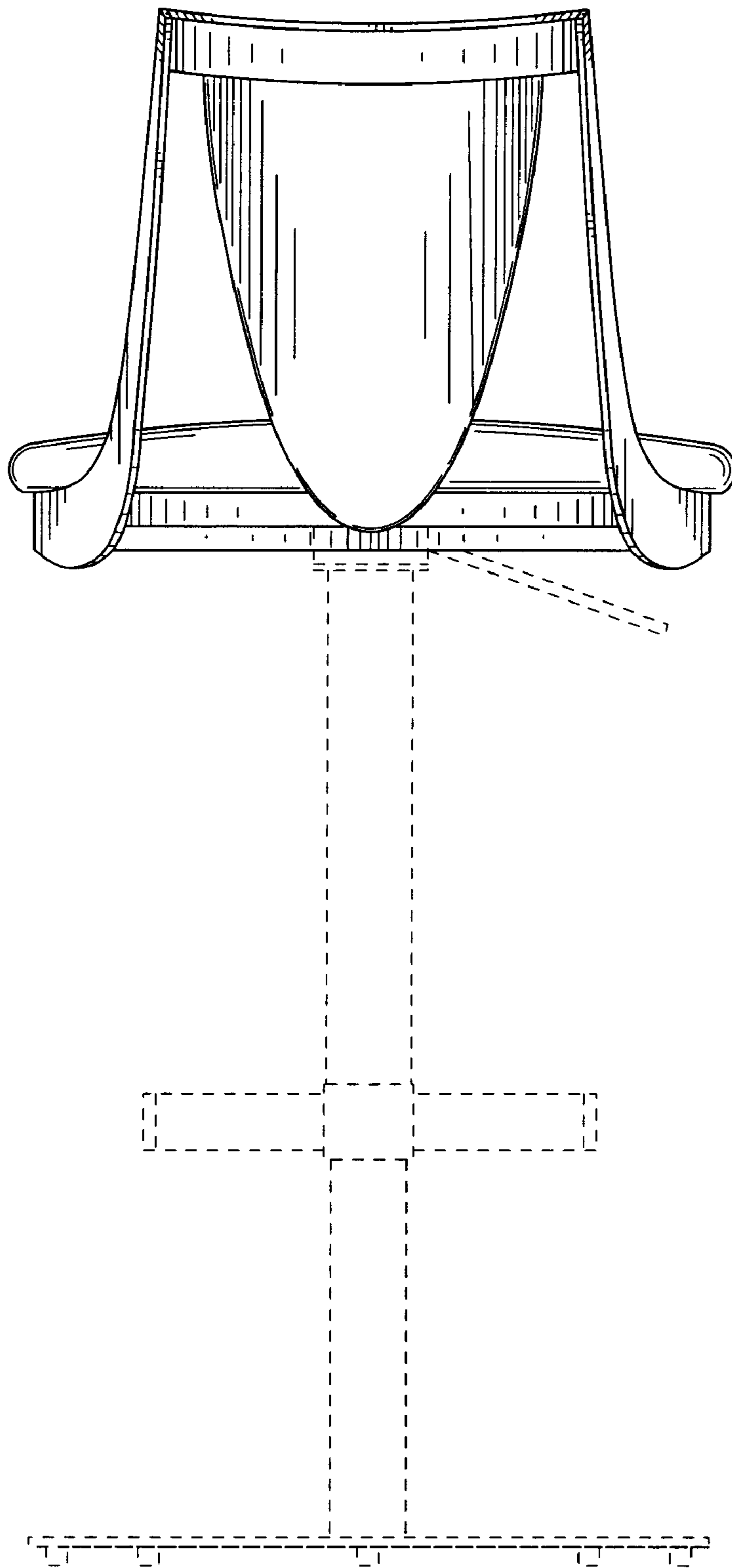


FIG. 10

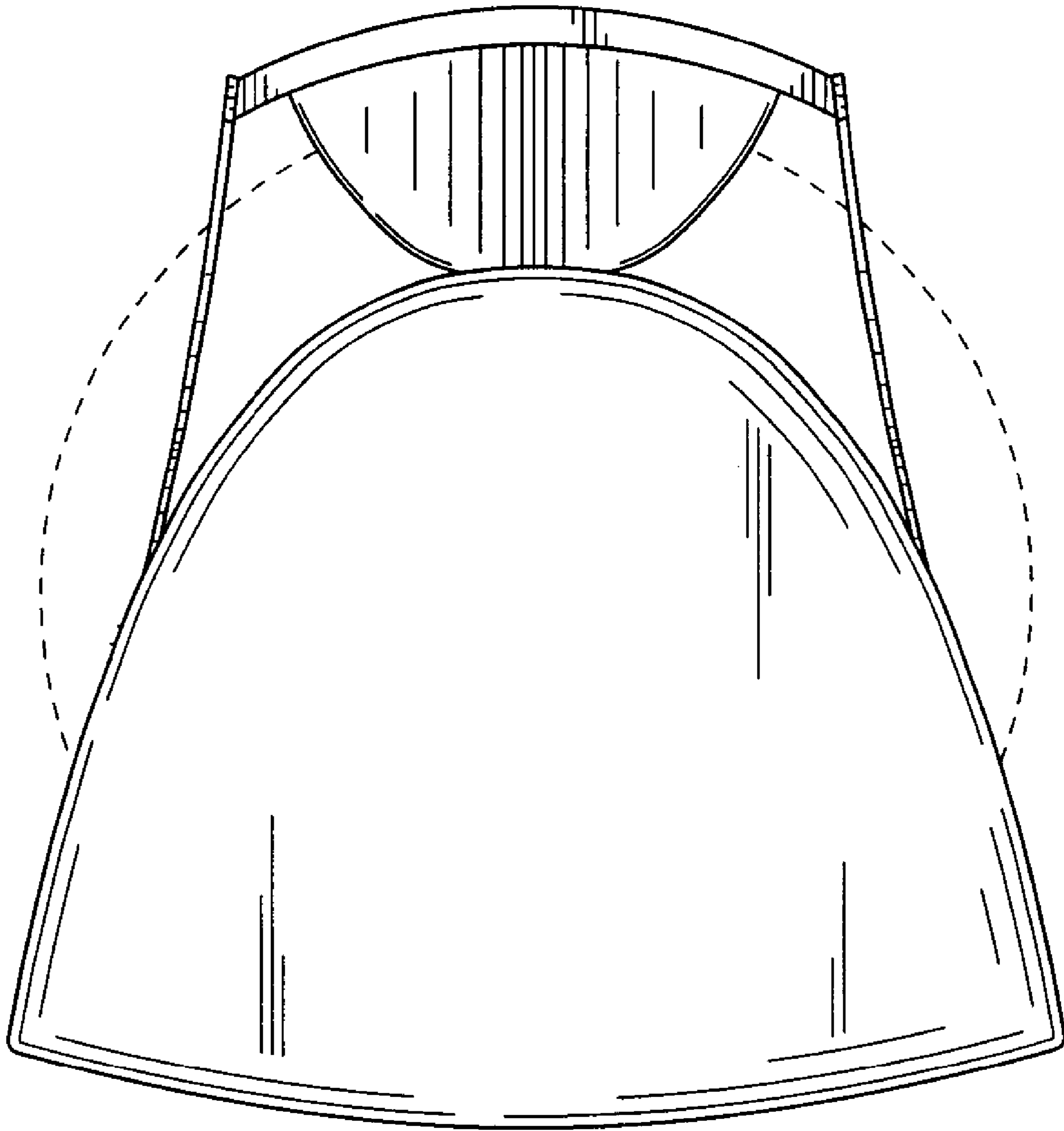


FIG. 11

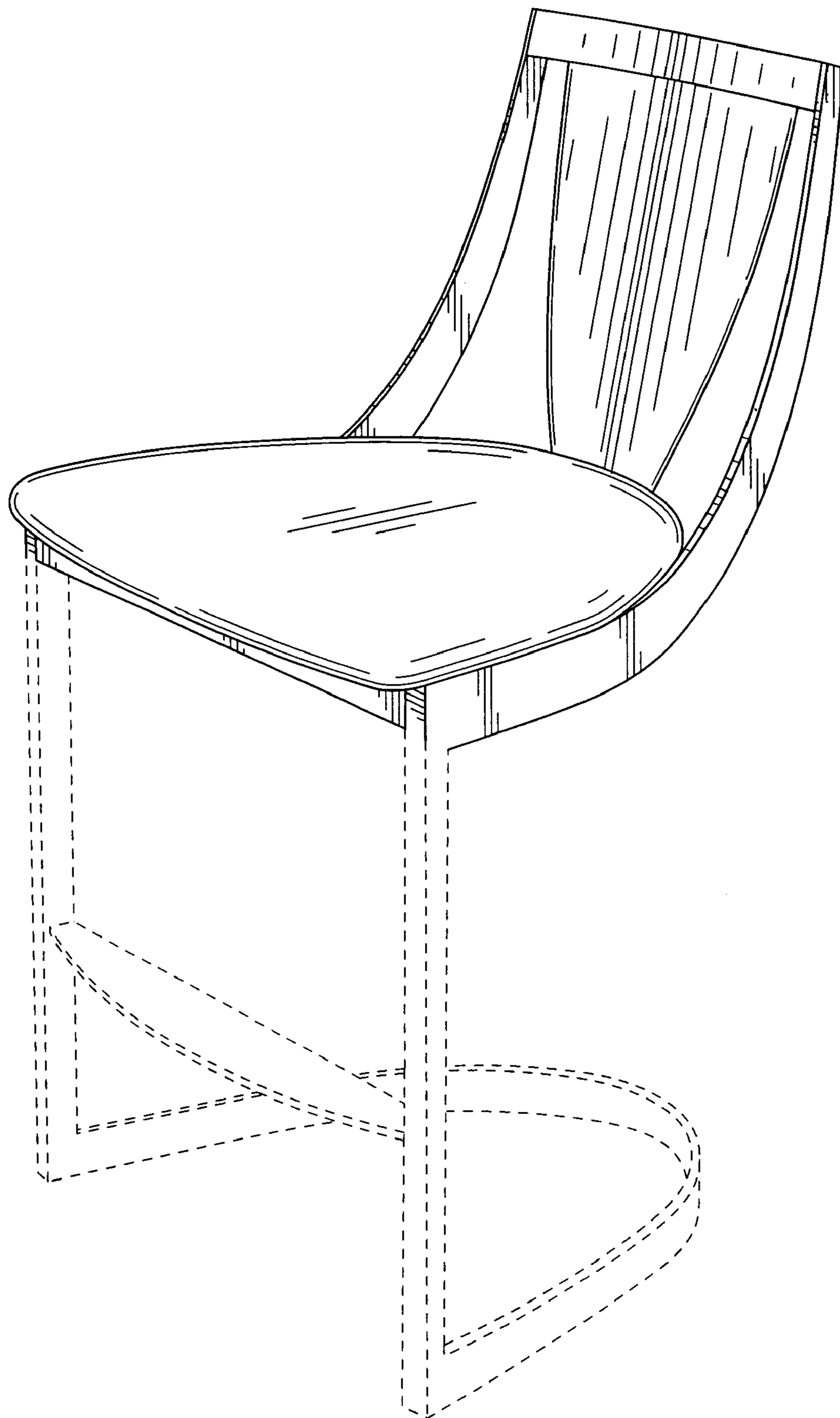


FIG. 12