

US00D526823S

(12) **United States Design Patent**
Muller

(10) **Patent No.:** **US D526,823 S**

(45) **Date of Patent:** **** Aug. 22, 2006**

(54) **SEAT FRAME**

(75) **Inventor:** **Carl A. Muller**, Huntington Beach, CA
(US)

(73) **Assignee:** **Elite Manufacturing Corporation**,
Santa Fe Springs, CA (US)

(**) **Term:** **14 Years**

(21) **Appl. No.:** **29/223,516**

(22) **Filed:** **Feb. 15, 2005**

(51) **LOC (8) Cl.** **06-01**

(52) **U.S. Cl.** **D6/500; D6/374; D6/380**

(58) **Field of Classification Search** **D6/334,**
D6/335, 336, 370, 374, 375, 379, 380, 500-502;
297/445.1, 446.1

See application file for complete search history.

(56) **References Cited**

U.S. PATENT DOCUMENTS

- D22,998 S * 1/1894 Thonet D6/380
- D23,065 S * 2/1894 Thonet D6/380
- D121,072 S * 6/1940 Johnson D6/370
- D293,518 S * 1/1988 Tonon D6/380

- D465,666 S * 11/2002 Hokanson D6/374
- D469,263 S * 1/2003 Clark et al. D6/334
- D502,333 S * 3/2005 Tseng D6/379
- D503,288 S * 3/2005 Domack D6/374

* cited by examiner

Primary Examiner—Mimosa De

(74) *Attorney, Agent, or Firm*—Heslin Rothenberg Farley
& Mesiti P.C.

(57) **CLAIM**

The ornamental design for a seat frame, as shown and described.

DESCRIPTION

FIG. 1 is a perspective view of a seat frame in accordance with the new design;

FIG. 2 is a front elevational view thereof;

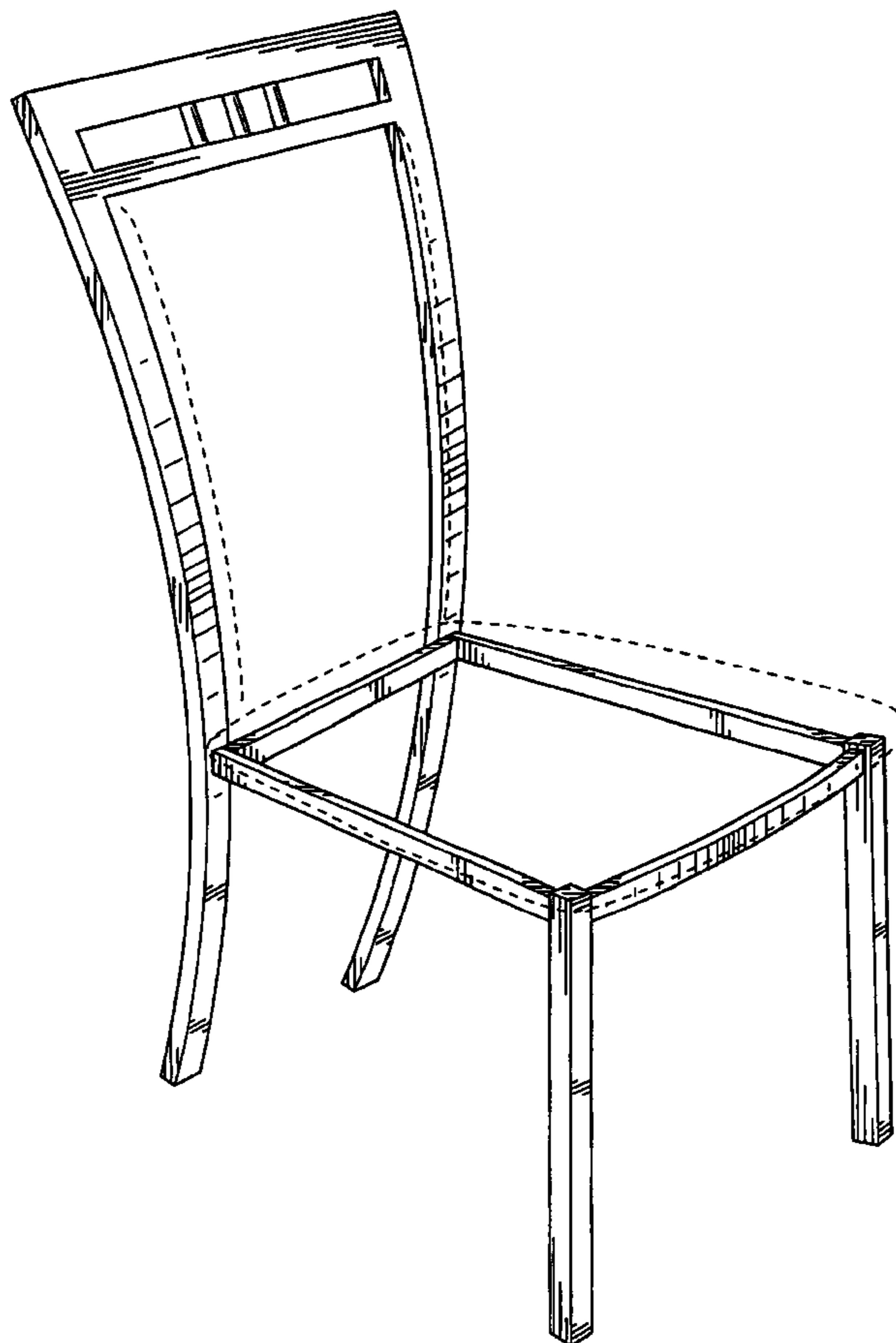
FIG. 3 is a left side elevational view thereof, a right side elevational view being a mirror image thereof;

FIG. 4 is a top view thereof; and,

FIG. 5 is a rear elevational view thereof.

The broken lines in the figures are for illustrative purposes only and form no part of the claimed invention.

1 Claim, 5 Drawing Sheets



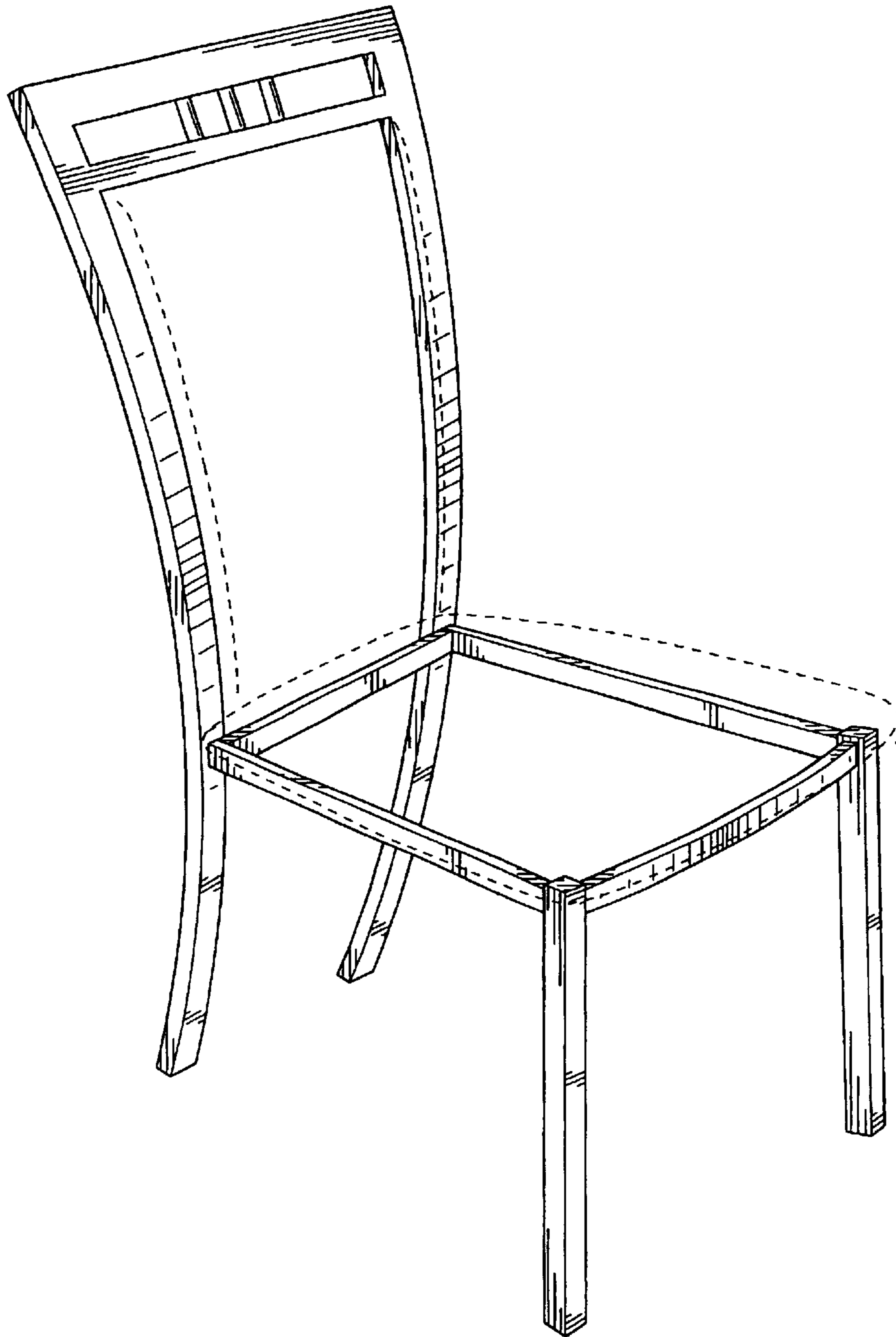


FIG. 1

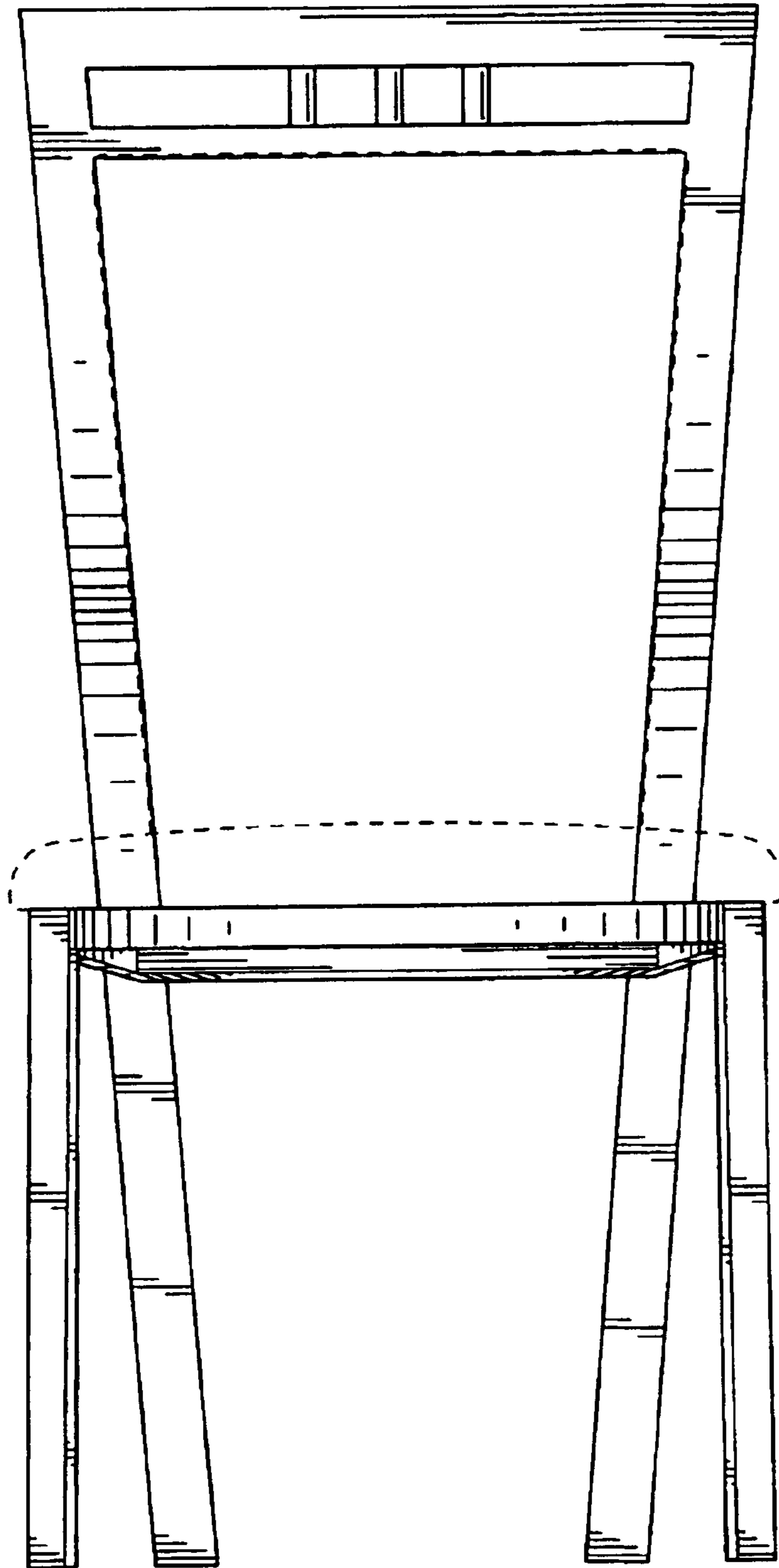


FIG. 2

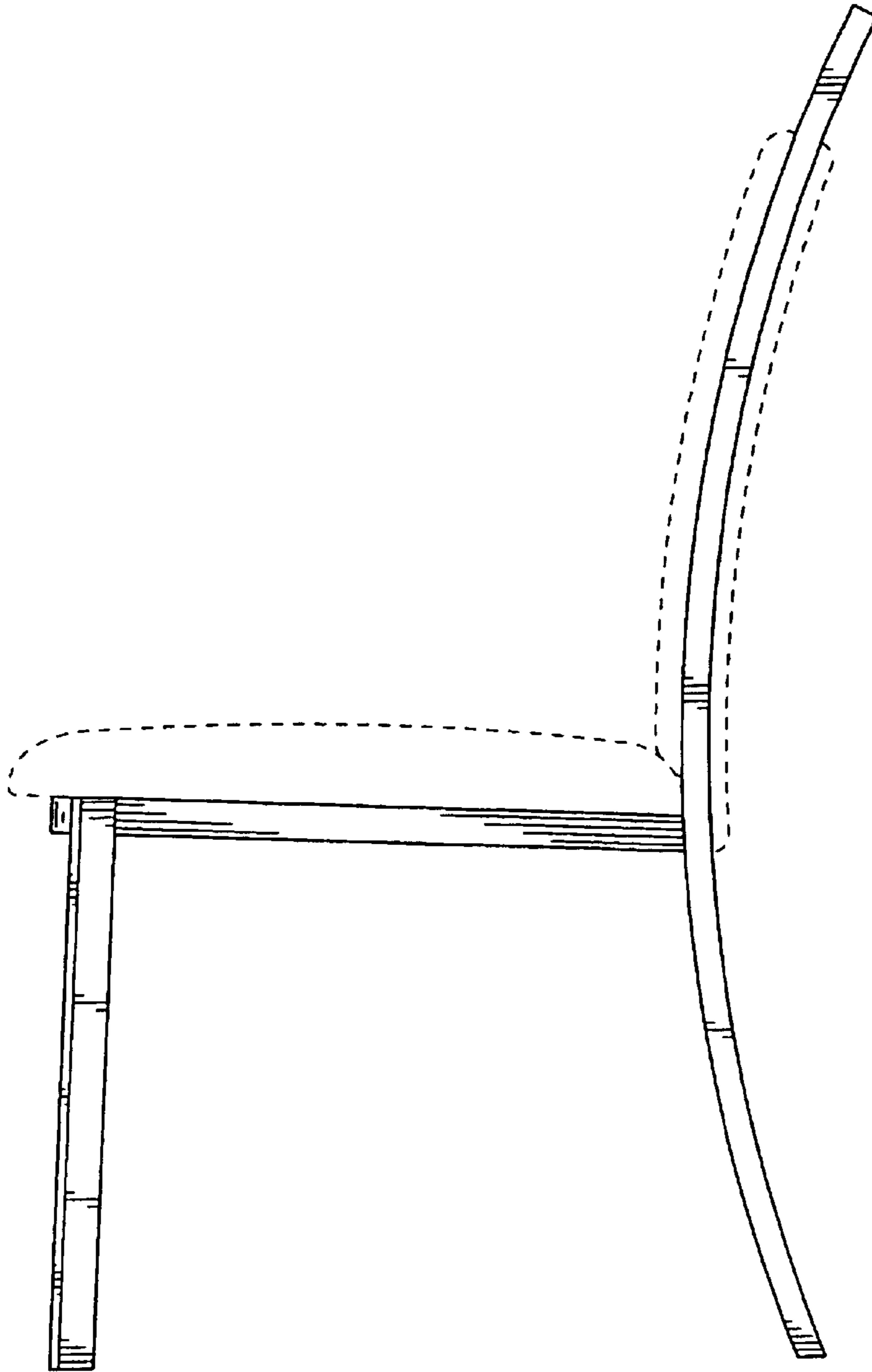


FIG. 3

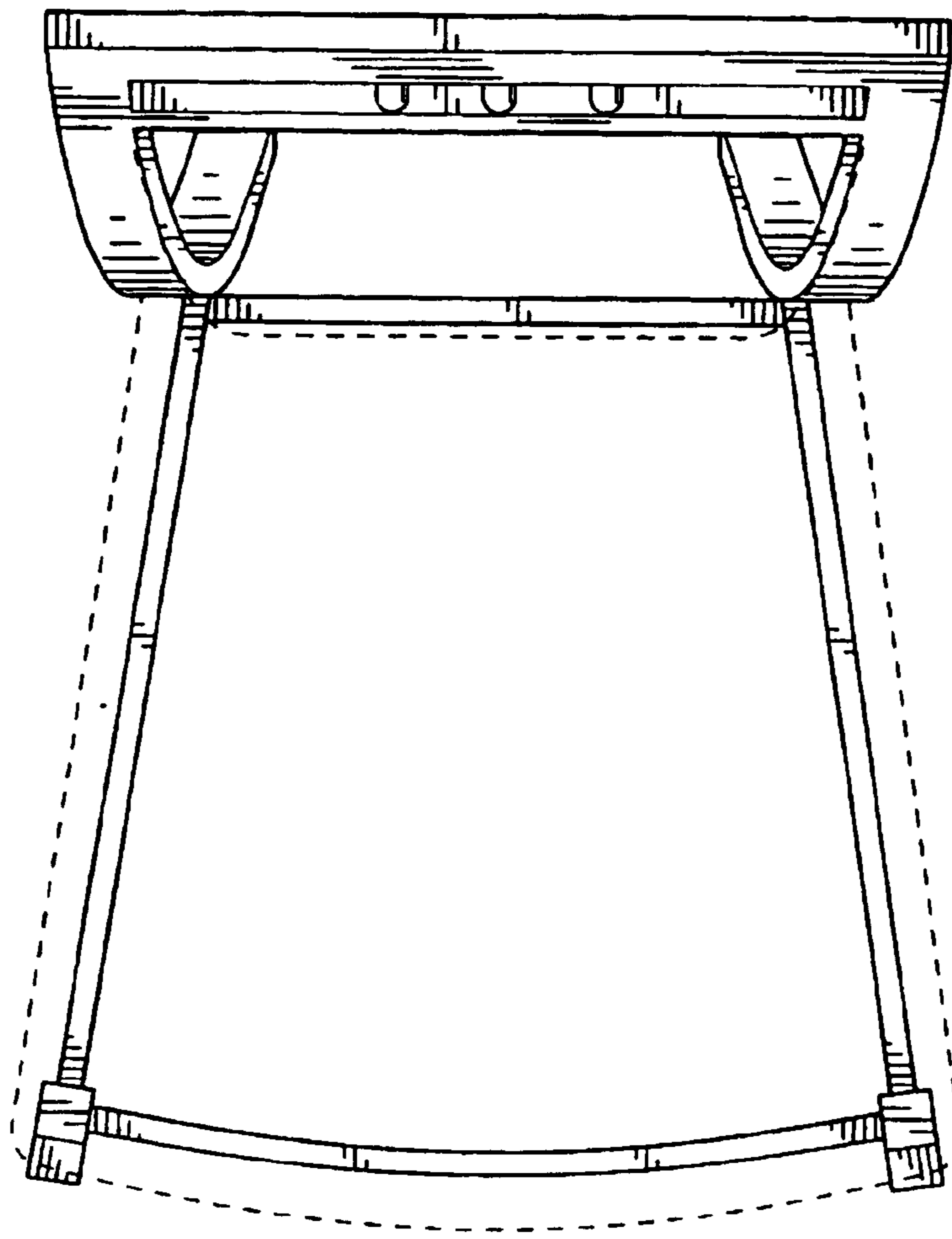


FIG. 4

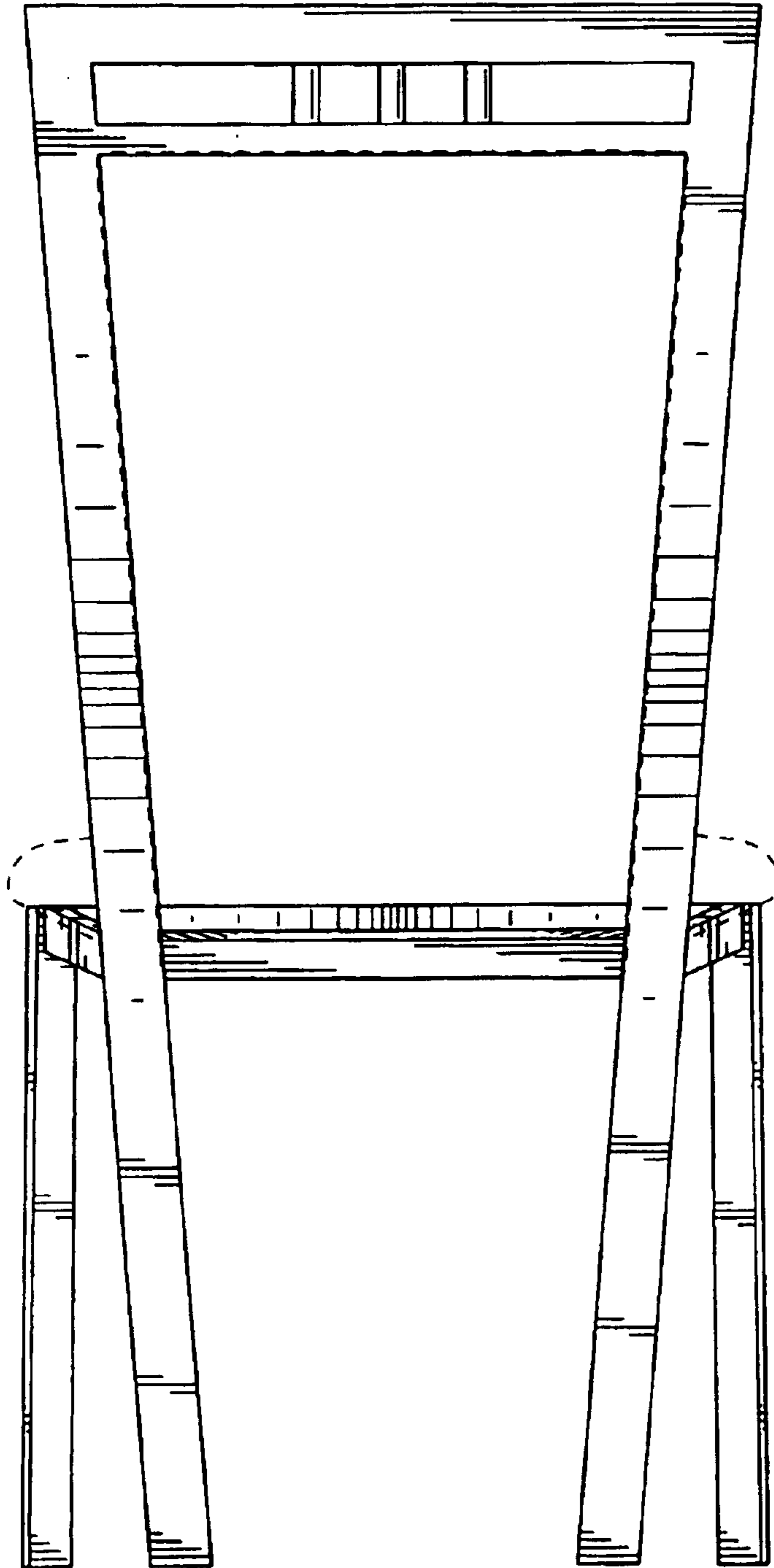


FIG. 5