



US00D526822S

(12) **United States Design Patent**
Chen et al.

(10) **Patent No.:** **US D526,822 S**

(45) **Date of Patent:** **** Aug. 22, 2006**

(54) **TABLE BASE**

(75) Inventors: **Cary Ching-Chi Chen**, Rowland Heights, CA (US); **Seong Gyun Shin**, Los Angeles, CA (US)

(73) Assignee: **CMS Furniture, Inc.**, Rowland Heights, CA (US)

(**) Term: **14 Years**

(21) Appl. No.: **29/217,520**

(22) Filed: **Nov. 17, 2004**

(51) **LOC (8) Cl.** **06-06**

(52) **U.S. Cl.** **D6/498**

(58) **Field of Classification Search** D6/480-489,
D6/495-499, 429, 511, 491, 477, 366; 108/150,
108/153.1, 155, 156, 161; 248/188, 188.1,
248/188.7, 188.8

See application file for complete search history.

(56) **References Cited**

U.S. PATENT DOCUMENTS

D80,098 S	*	12/1929	Tecktonius	D6/458
D261,078 S	*	10/1981	Wilson	D6/360
D280,786 S	*	10/1985	Platner	D6/366
D322,898 S	*	1/1992	Zapf	D6/366
D339,926 S	*	10/1993	Fahnstrom et al.	D6/366
D435,737 S	*	1/2001	Hines et al.	D6/366

* cited by examiner

Primary Examiner—Janice Seeger

(74) *Attorney, Agent, or Firm*—Danton K. Mak; Sheldon & Mak PC

(57) **CLAIM**

The ornamental design of the table base, as shown and described.

DESCRIPTION

FIG. 1 is a perspective view of the table base of the present invention;

FIG. 2 is a top view of the table base of FIG. 1;

FIG. 3 is a front view of the table base of FIG. 1;

FIG. 4 is a left side view of the table base of FIG. 1;

FIG. 5 is a right side view of the table base of FIG. 1;

FIG. 6 is a rear view of the table base of FIG. 1;

FIG. 7 is a bottom view of the table base of FIG. 1;

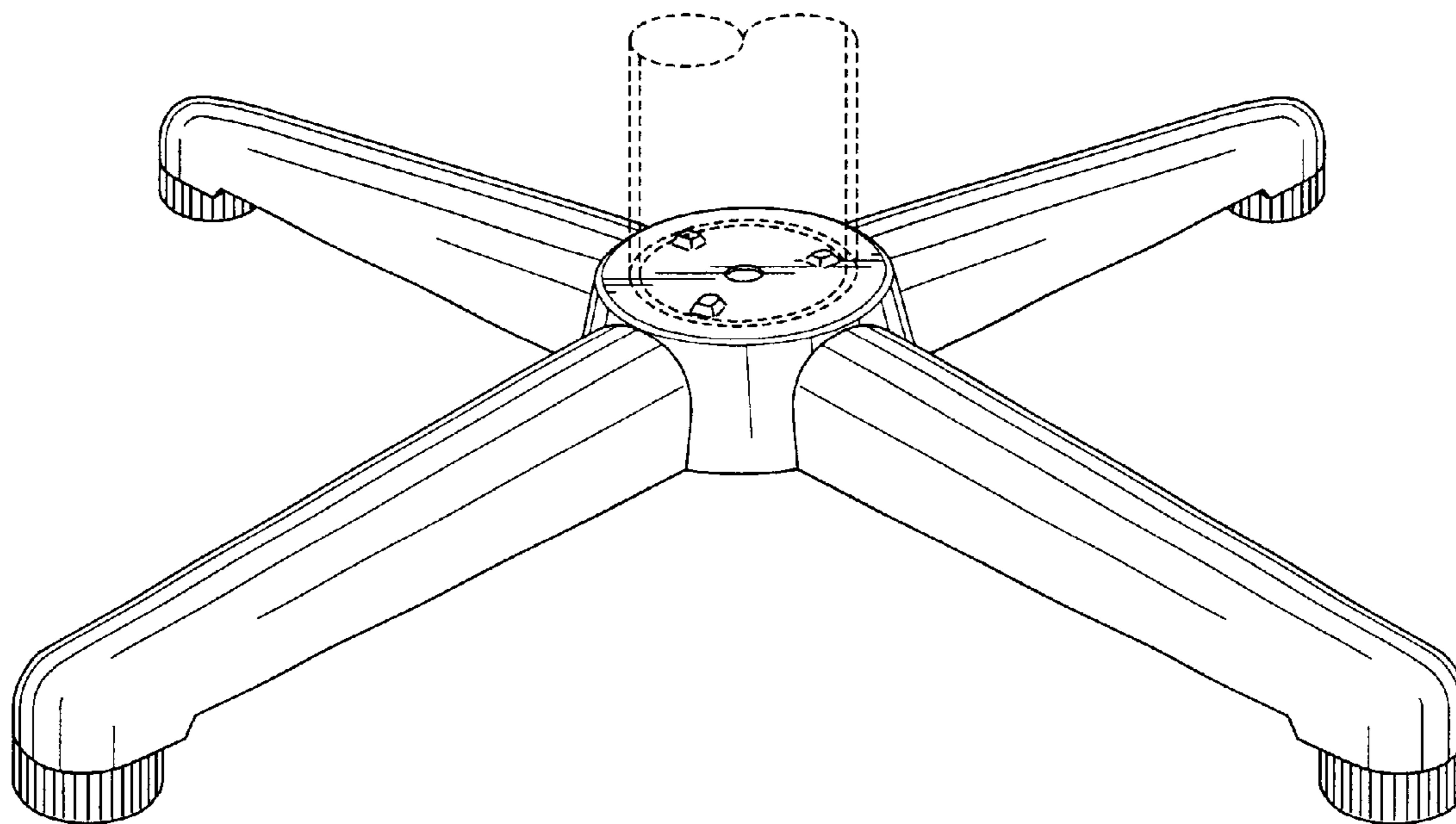
FIG. 8 is a perspective view of an alternative embodiment of the table base of the present invention, which also shows the adjustment knobs in their extended positions;

FIG. 9 is a perspective view of yet another alternative embodiment of the table base of the present invention, showing at least one of the adjustment knobs having a lesser thickness than the other adjustment knobs; and,

FIG. 10 is a left side view of the table base of FIG. 9, showing the adjustment knobs in extended positions.

The portions drawn in dotted lines are to show the environmental background only, and does not form a part of the present invention.

1 Claim, 5 Drawing Sheets



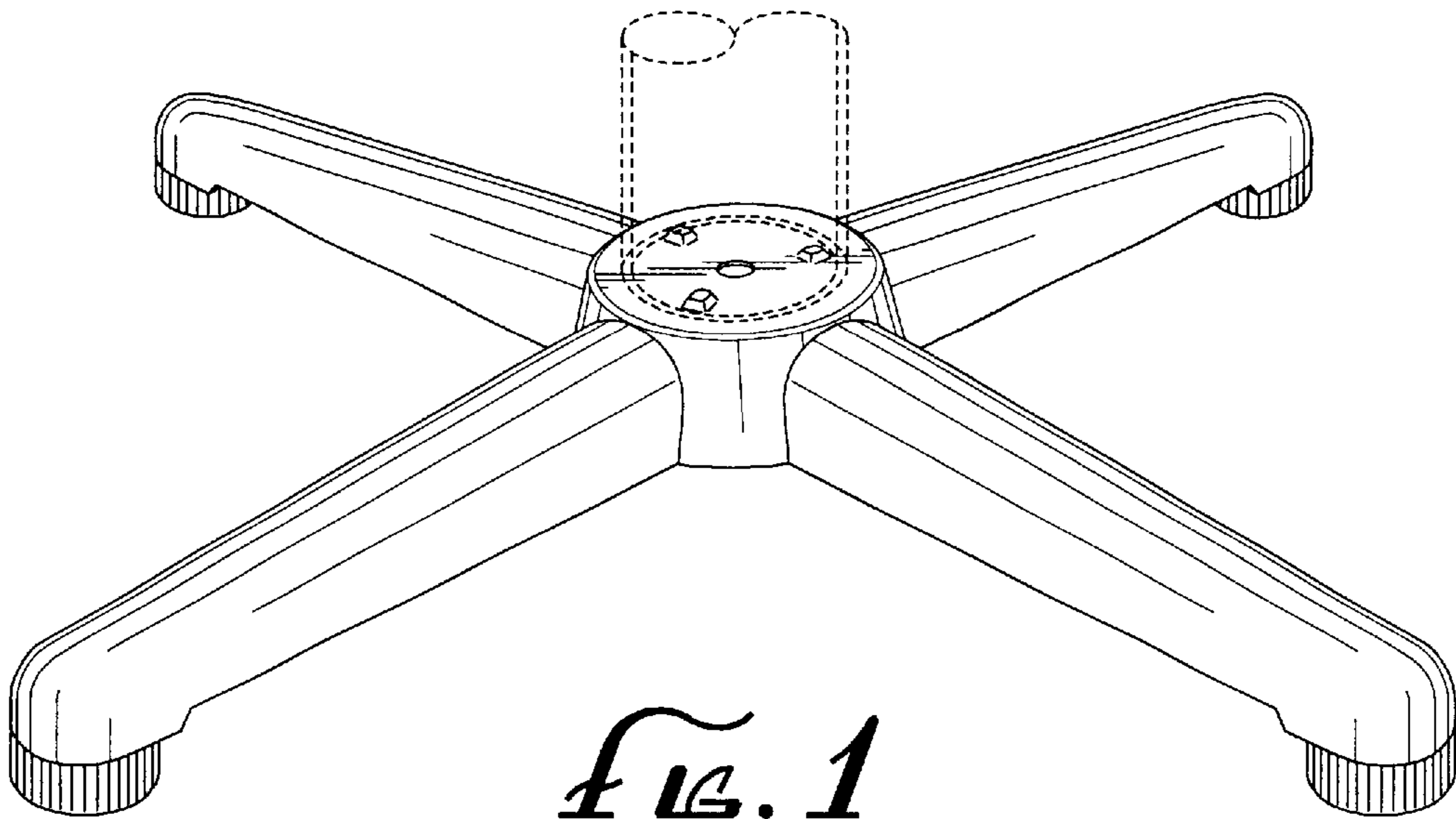


FIG. 1

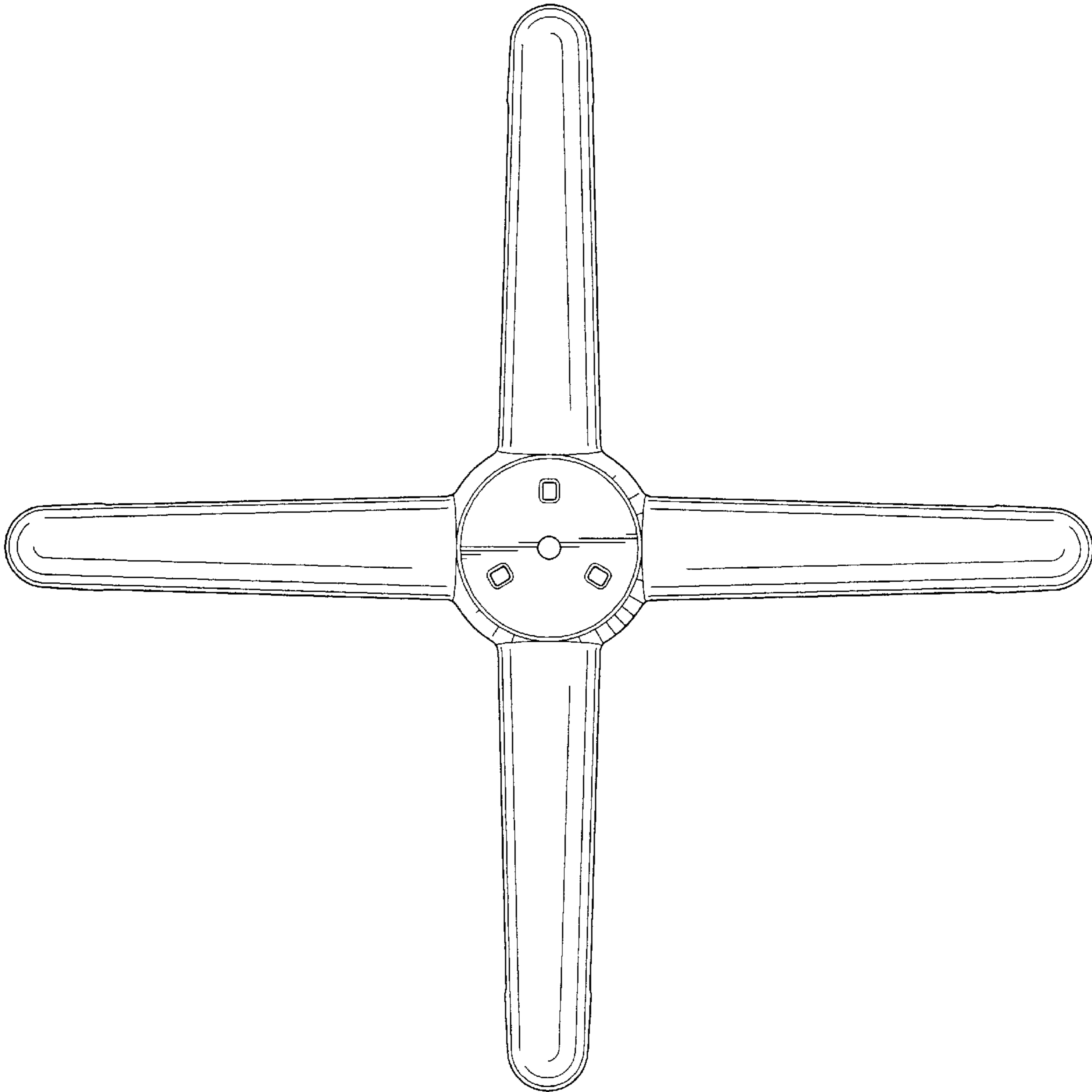


FIG. 2

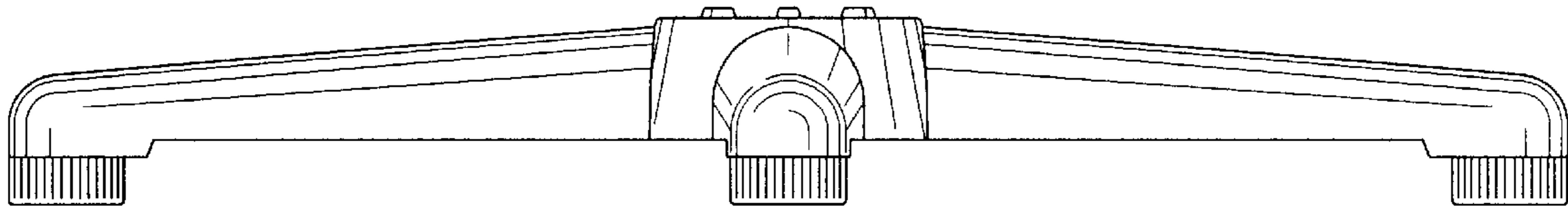


FIG. 3

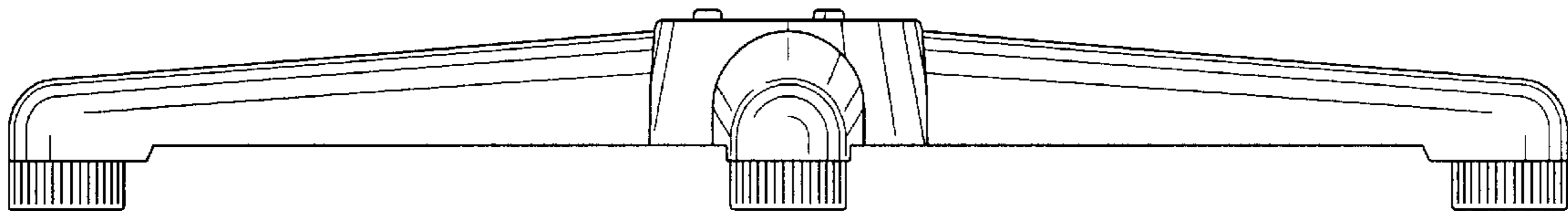


FIG. 4

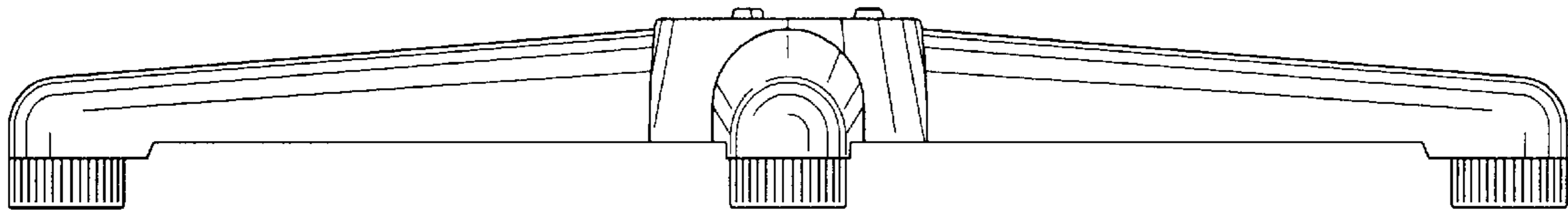


FIG. 5

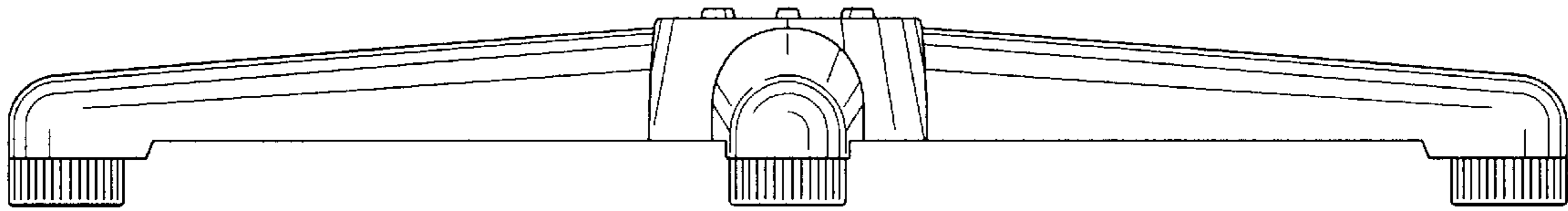


FIG. 6

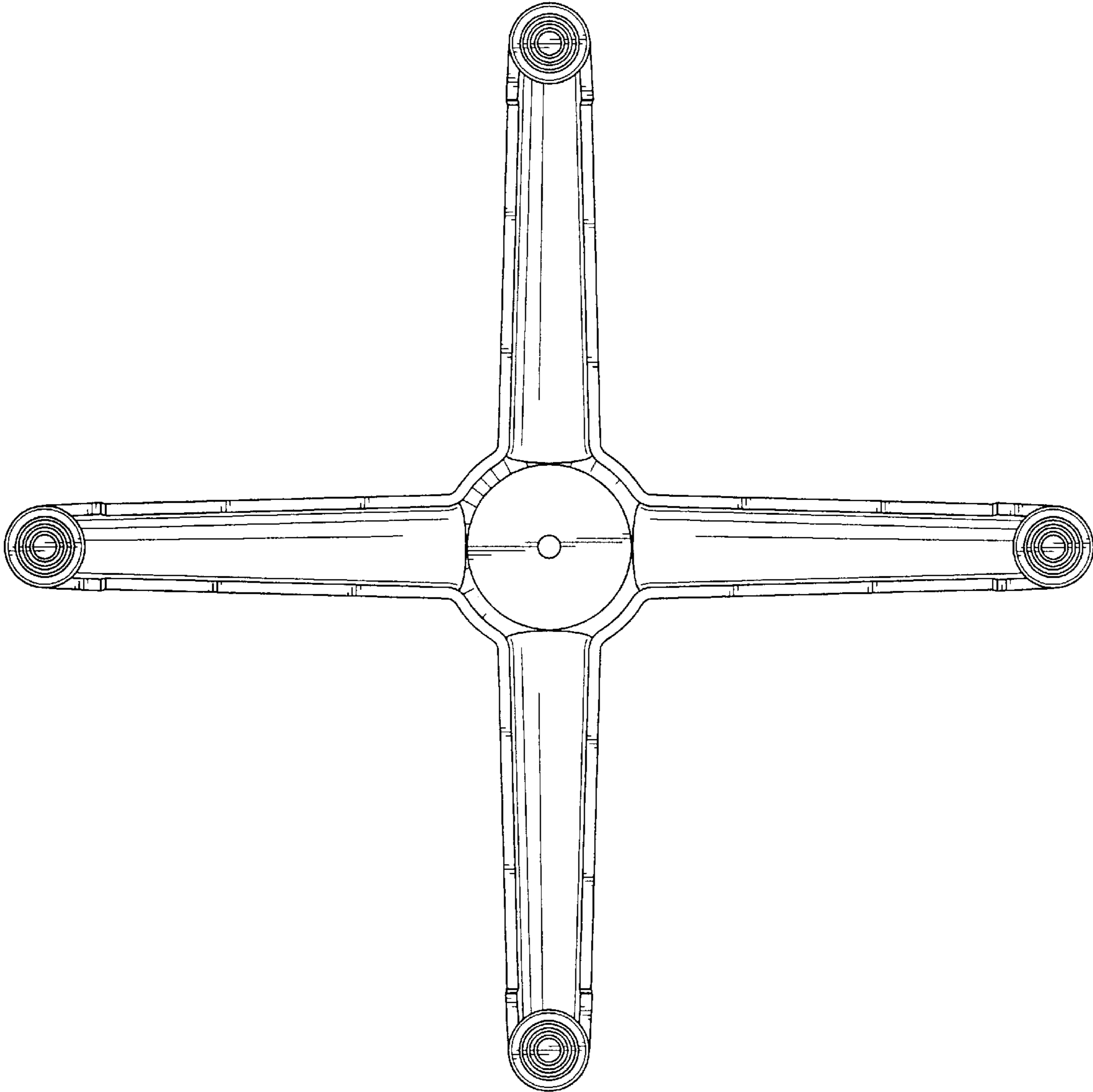


FIG. 7

