



US00D526821S

(12) **United States Design Patent**
Muller

(10) **Patent No.:** **US D526,821 S**

(45) **Date of Patent:** **** Aug. 22, 2006**

(54) **TABLE BASE**

(75) Inventor: **Carl A. Muller**, Huntington Beach, CA (US)

(73) Assignee: **Elite Manufacturing Corporation**, Santa Fe Springs, CA (US)

(**) Term: **14 Years**

(21) Appl. No.: **29/242,019**

(22) Filed: **Nov. 3, 2005**

Related U.S. Application Data

(62) Division of application No. 29/214,831, filed on Oct. 8, 2004.

(51) **LOC (8) Cl.** **06-06**

(52) **U.S. Cl.** **D6/495**

(58) **Field of Classification Search** D6/480-489,
D6/495-499; 108/150, 153.1, 155, 156, 157.1,
108/161; 248/188, 188.1, 188.8, 188.9

See application file for complete search history.

(56) **References Cited**

U.S. PATENT DOCUMENTS

D87,537 S	8/1932	McGowen	D6/477
D90,709 S	9/1933	Goodman	D6/474
D239,487 S	4/1976	Hysten	D6/455
D450,487 S	11/2001	Sabor	D6/477
D453,642 S	2/2002	Mascheroni	D6/495

OTHER PUBLICATIONS

Muller, "Seat Frame," pending U.S. Appl. No. 29/223,156, filed Feb. 8, 2005.

Muller, "Table Base", pending U.S. Appl. No. 29/214,831, filed Oct. 8, 2004.

Ethan Allen, Sep. 2002, p. 68 table at top right.

Primary Examiner—Janice E. Seeger

(74) *Attorney, Agent, or Firm*—Heslin Rothenberg Farley & Mesiti P.C.

(57) **CLAIM**

The ornamental design for a table base, as shown and described.

DESCRIPTION

FIG. 1 is a perspective view of a table base shown with a round dining table top in accordance with the new design; FIG. 2 is a top view thereof;

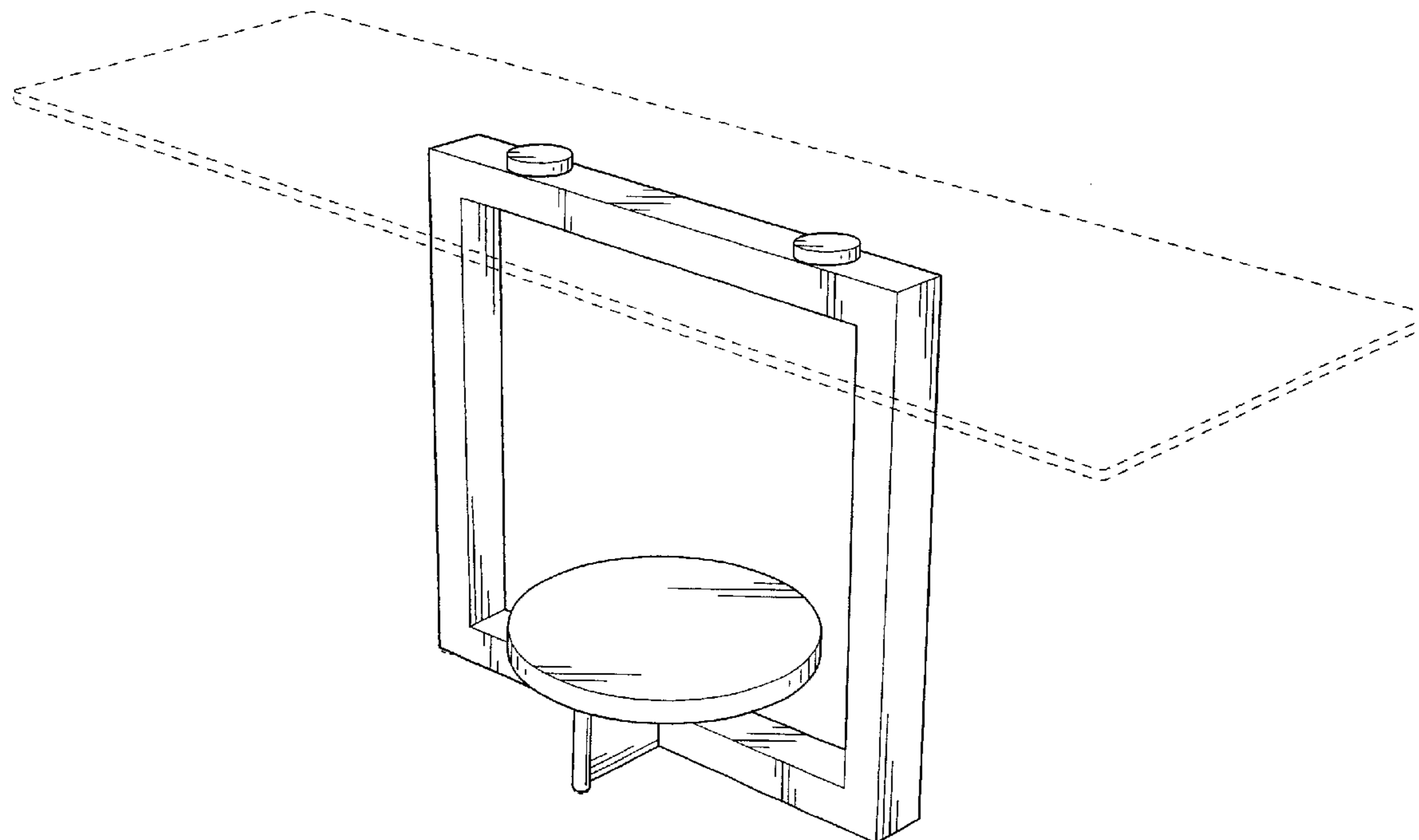
FIG. 3 is a front elevational view; a rear elevational view being a mirror image thereof;

FIG. 4 is a right side elevational view; a left side elevational view being a mirror image thereof; and,

FIG. 5 is a perspective view of the table base shown with a rectangular dining table top in accordance with the new design.

The broken lines in the figures are for illustrative purposes only and form no part of the claimed invention.

1 Claim, 5 Drawing Sheets



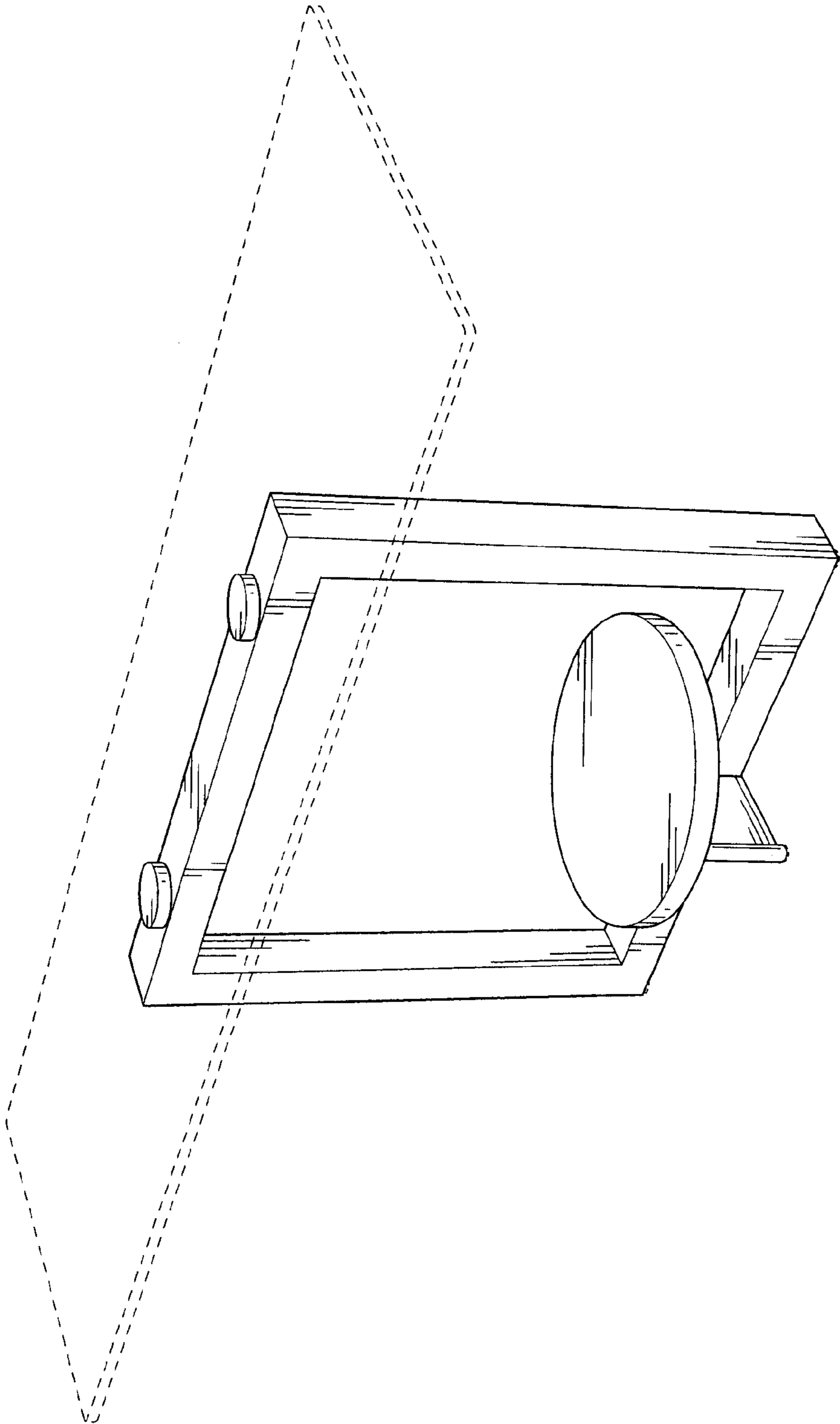


FIG. 1

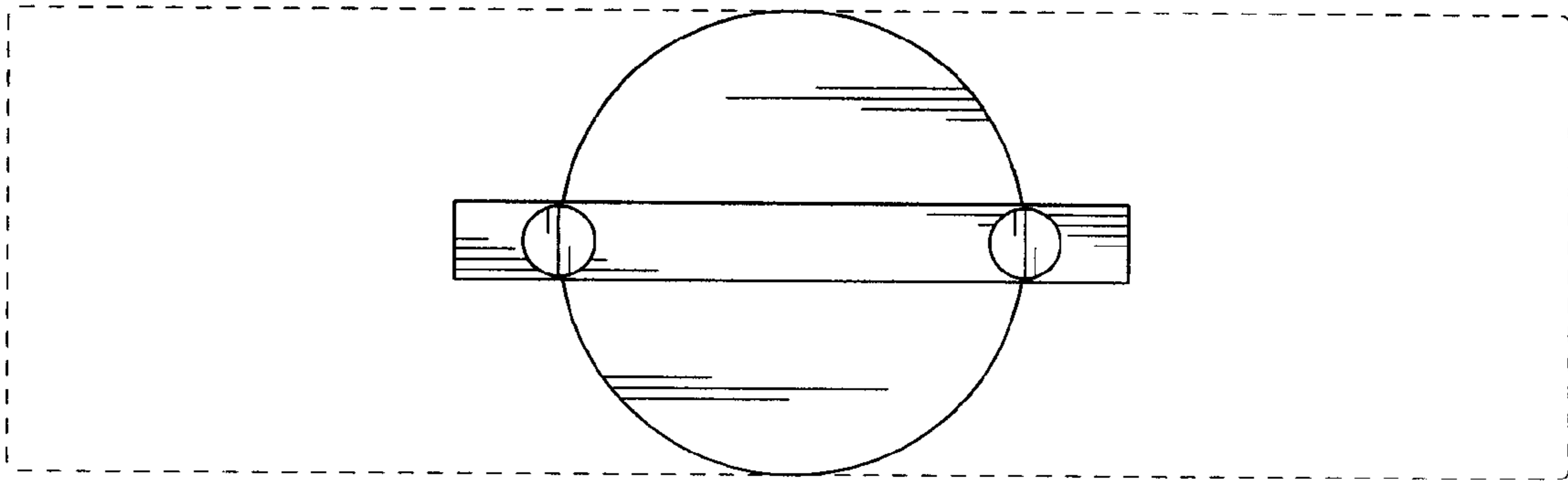


FIG. 2

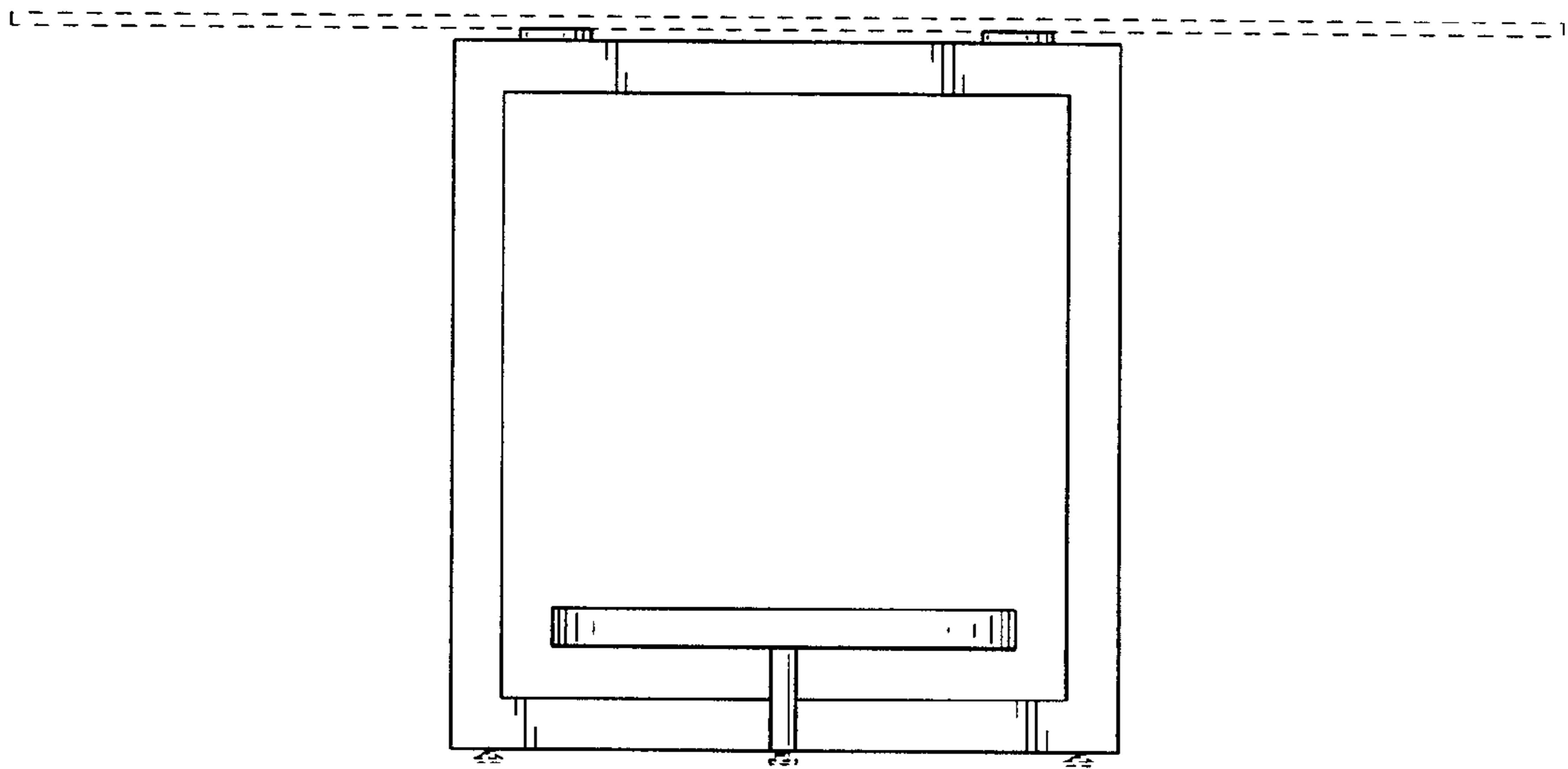


FIG. 3

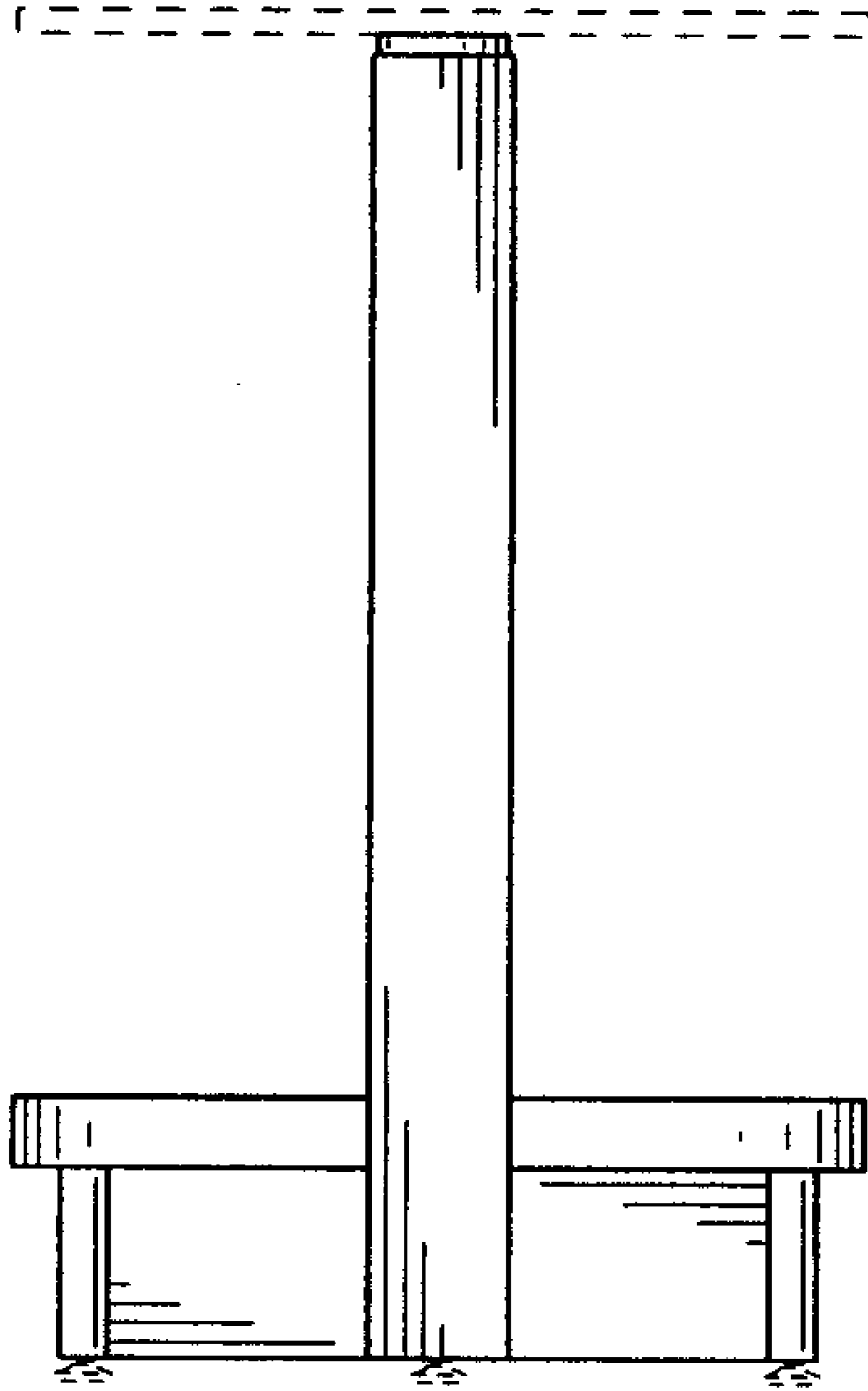


FIG. 4

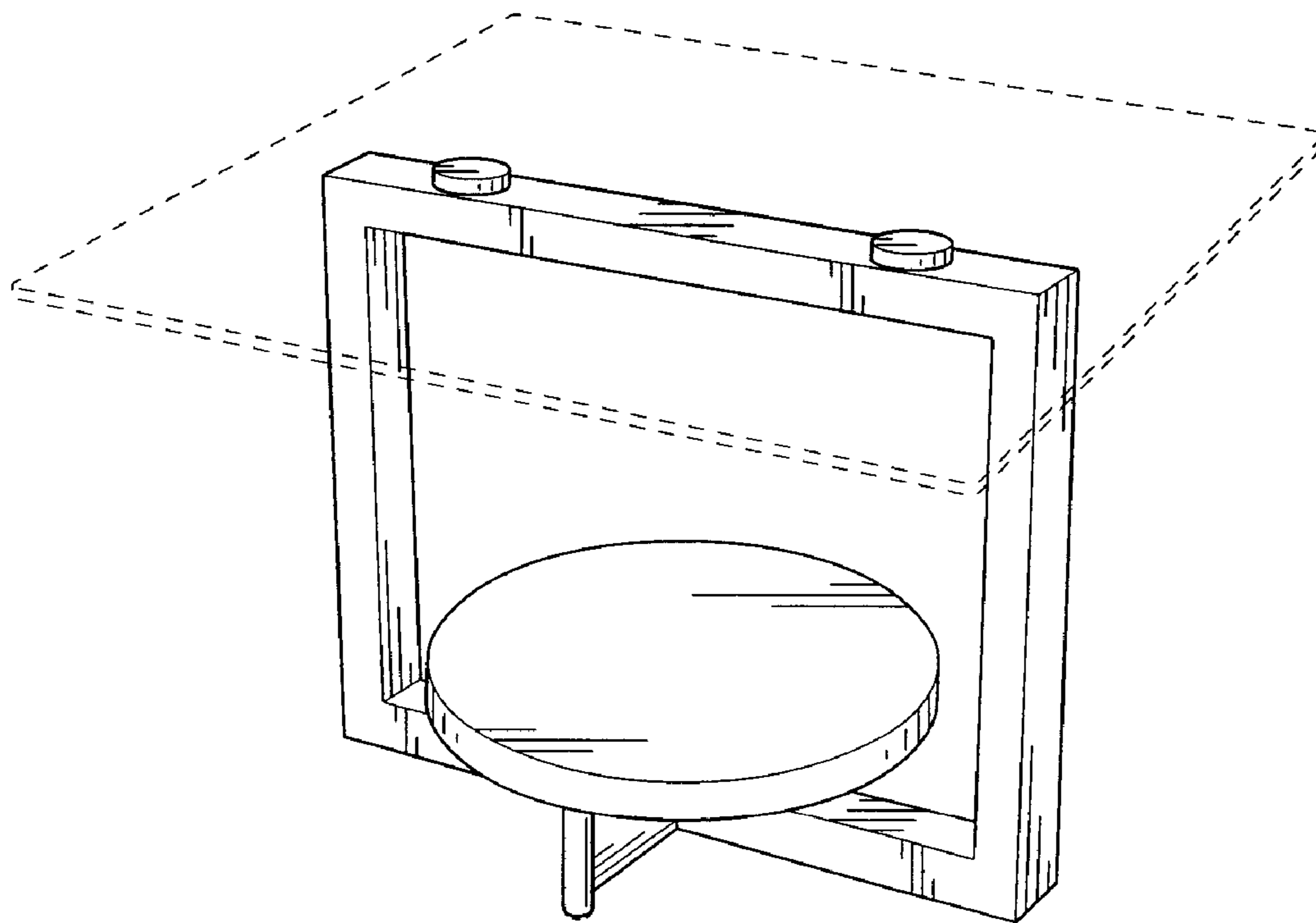


FIG. 5

UNITED STATES PATENT AND TRADEMARK OFFICE
CERTIFICATE OF CORRECTION

PATENT NO. : Des. 526,821 S
APPLICATION NO. : 29/242019
DATED : August 22, 2006
INVENTOR(S) : Carl A. Muller

Page 1 of 6

It is certified that error appears in the above-identified patent and that said Letters Patent is hereby corrected as shown below:

Delete the drawing sheets containing FIGS. 1-5 and substitute therefor the attached drawing sheets containing FIGS. 1-5.

Signed and Sealed this

Twenty-second Day of May, 2007

A handwritten signature in black ink on a light gray dotted background. The signature reads "Jon W. Dudas" in a cursive style.

JON W. DUDAS

Director of the United States Patent and Trademark Office

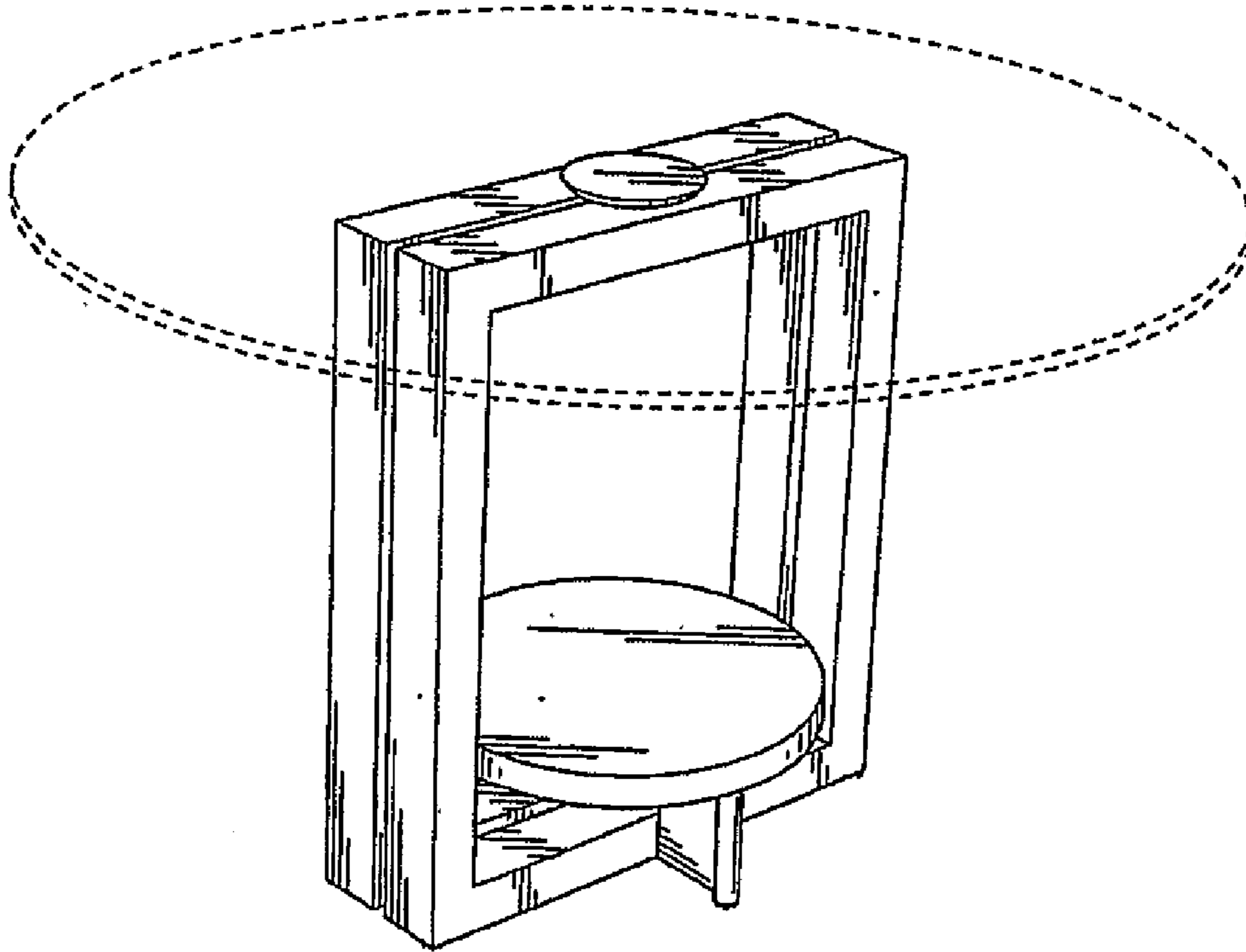


Fig. 1

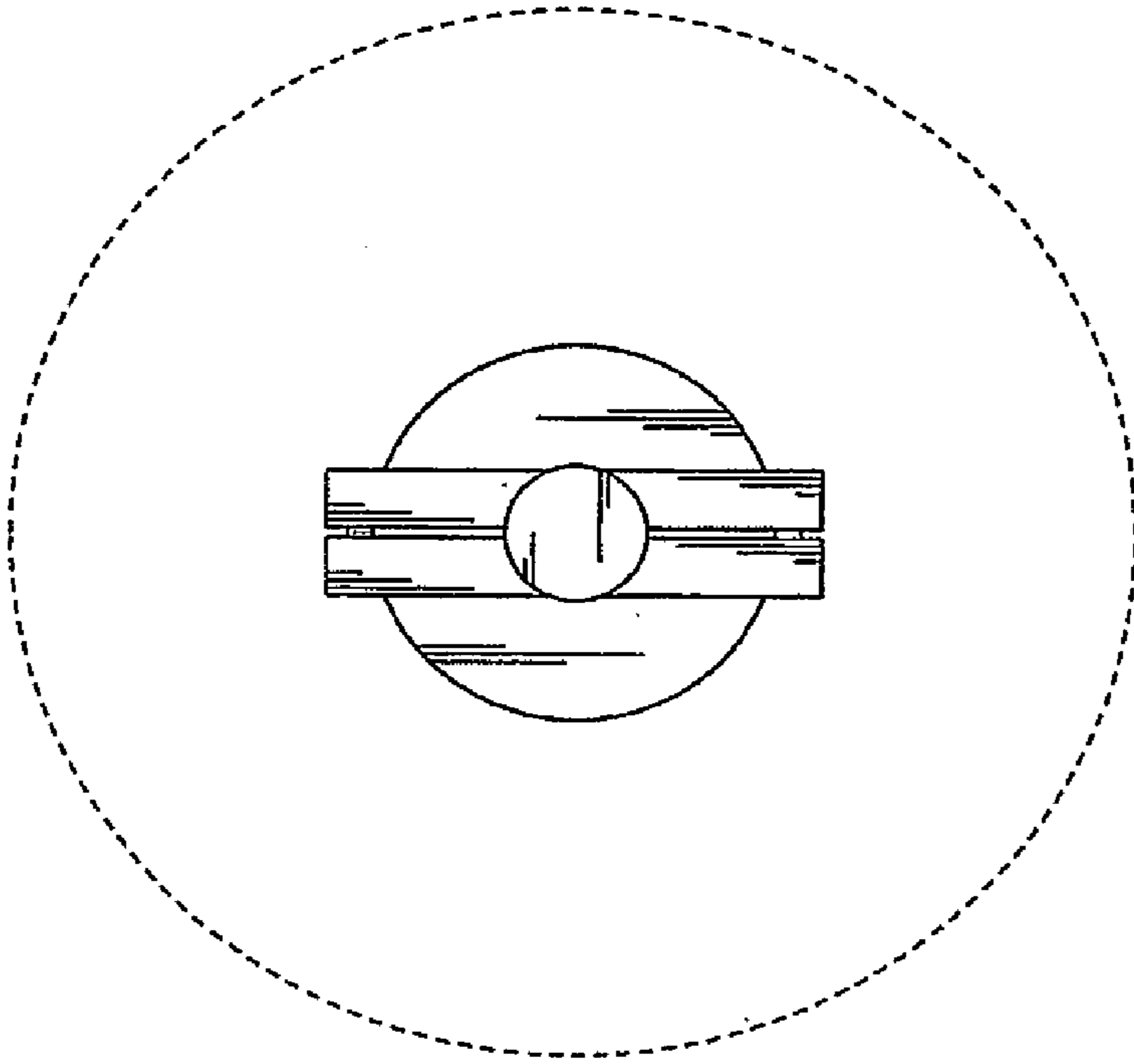


Fig. 2

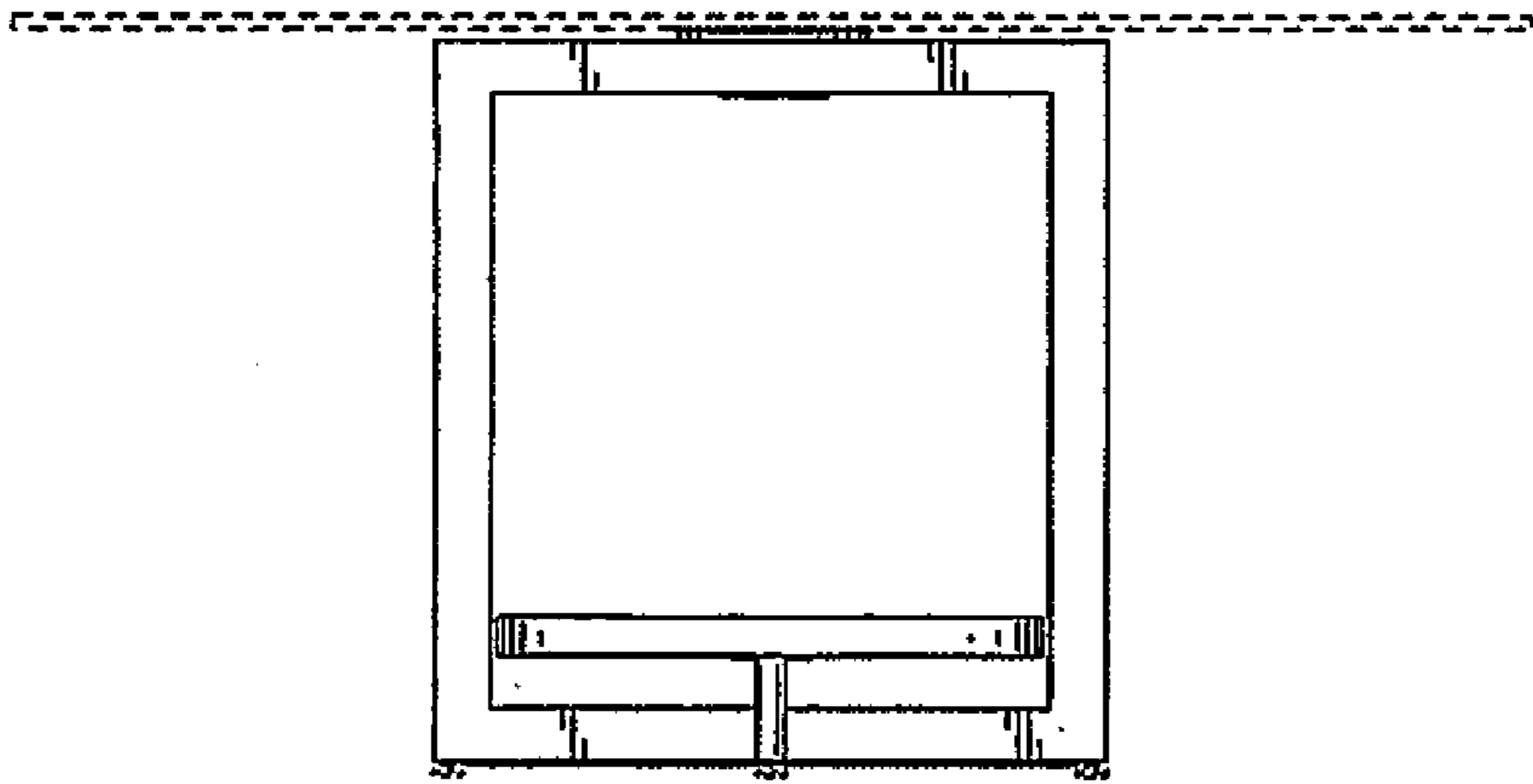


Fig. 3

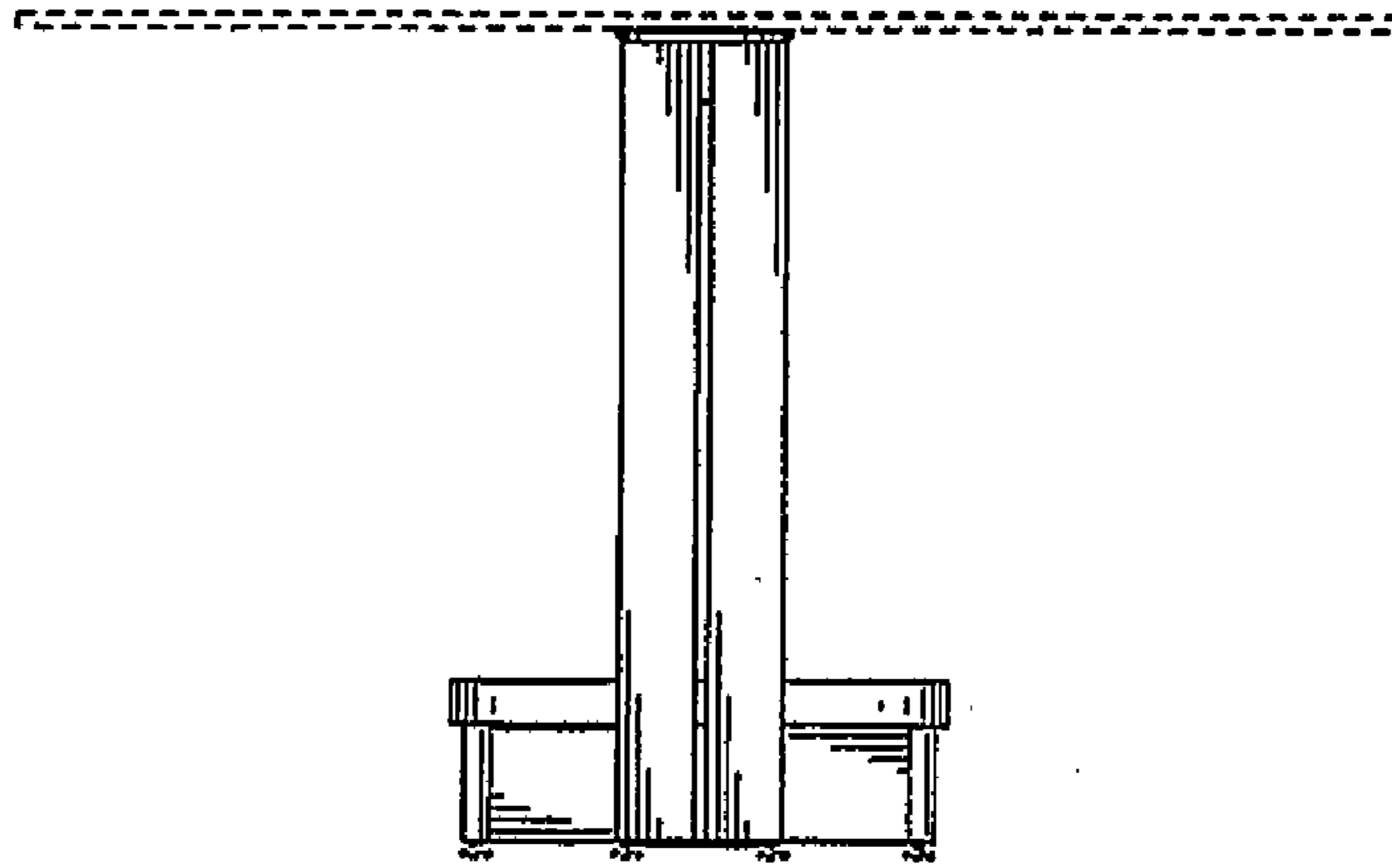


Fig. 4

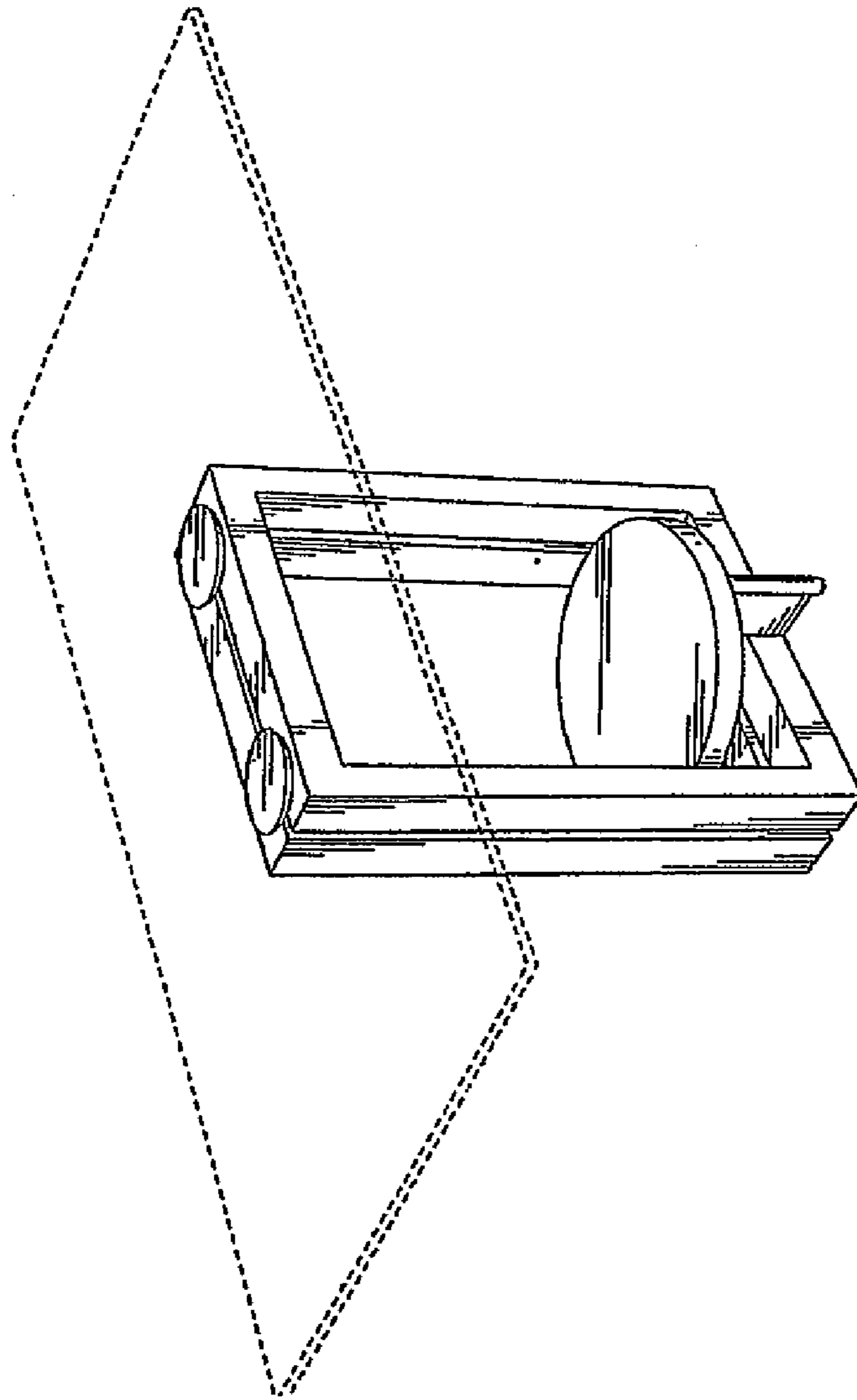


Fig. 5