



US00D526817S

(12) **United States Design Patent**
Gratiot

(10) **Patent No.:** **US D526,817 S**

(45) **Date of Patent:** **** Aug. 22, 2006**

(54) **DISPLAY FOR WATCHES**

(75) Inventor: **Daniel Gratiot**, Berne (CH)

(73) Assignee: **Swatch AG (Swatch SA) (Swatch Ltd.)**, Bienne (CH)

(**) Term: **14 Years**

(21) Appl. No.: **29/230,750**

(22) Filed: **May 25, 2005**

Related U.S. Application Data

(62) Division of application No. 29/189,816, filed on Sep. 11, 2003.

(30) **Foreign Application Priority Data**

Mar. 11, 2003 (WO) DM063 367

(51) **LOC (8) Cl.** **06-04**

(52) **U.S. Cl.** **D6/455**

(58) **Field of Classification Search** D6/449,
D6/396, 405, 465, 457, 458, 468, 466, 479,
D6/569, 514, 552, 462, 473; 211/13.1, 106,
211/85.2, 53, 56, 85.1, 26, 70, 85.31, 95,
211/1.53, 131.1, 163, 166, 181.1, 183

See application file for complete search history.

(56) **References Cited**

U.S. PATENT DOCUMENTS

766,629 A * 8/1904 Koehler 211/58

D189,946 S * 3/1961 Dougherty D6/457
D206,141 S * 11/1966 Smith D6/457
3,844,230 A * 10/1974 Hudson et al. 108/60
4,850,658 A * 7/1989 Sandor 312/225
D326,570 S * 6/1992 Heilman D6/415
D436,265 S * 1/2001 Kidd et al. D6/457

* cited by examiner

Primary Examiner—Janice E. Seeger

Assistant Examiner—Sydney R. Buffalow

(74) *Attorney, Agent, or Firm*—Collen IP; Donald J. Ranft

(57) **CLAIM**

The ornamental design for a display for watches, as shown and described.

DESCRIPTION

FIG. 1 is a front view of my new and ornamental design for a display for watches;

FIG. 2 is a rear view thereof;

FIG. 3 is a left side view thereof;

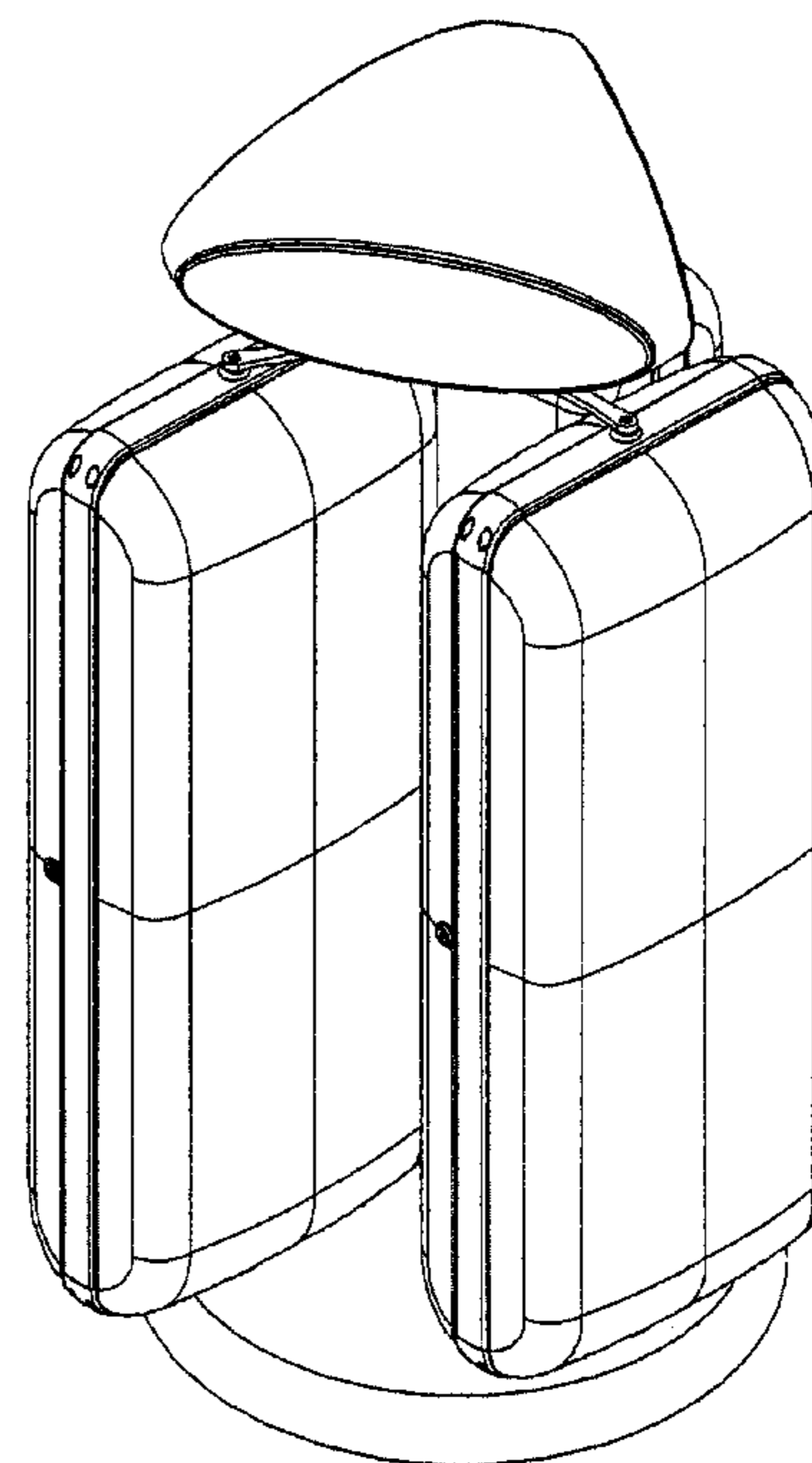
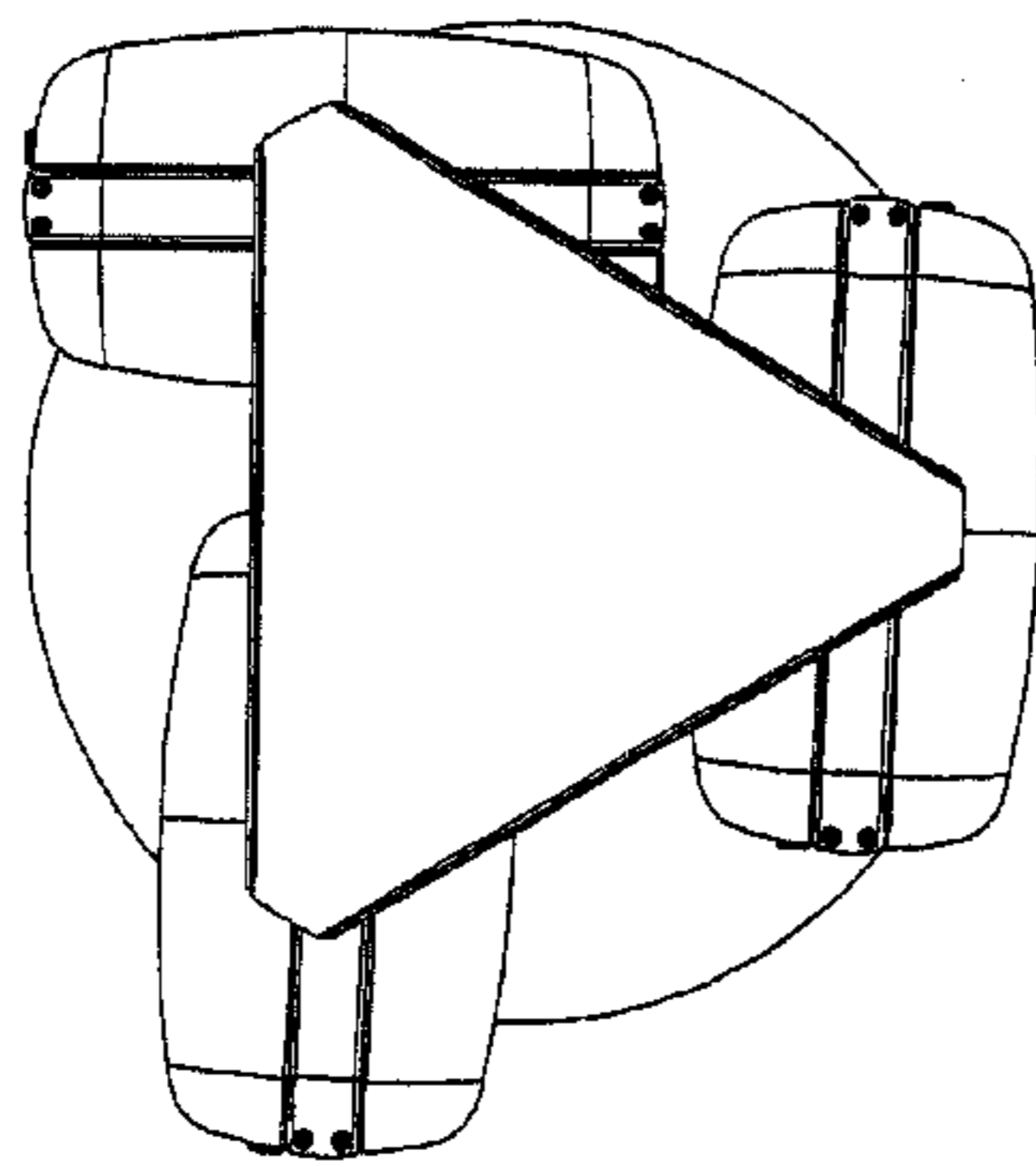
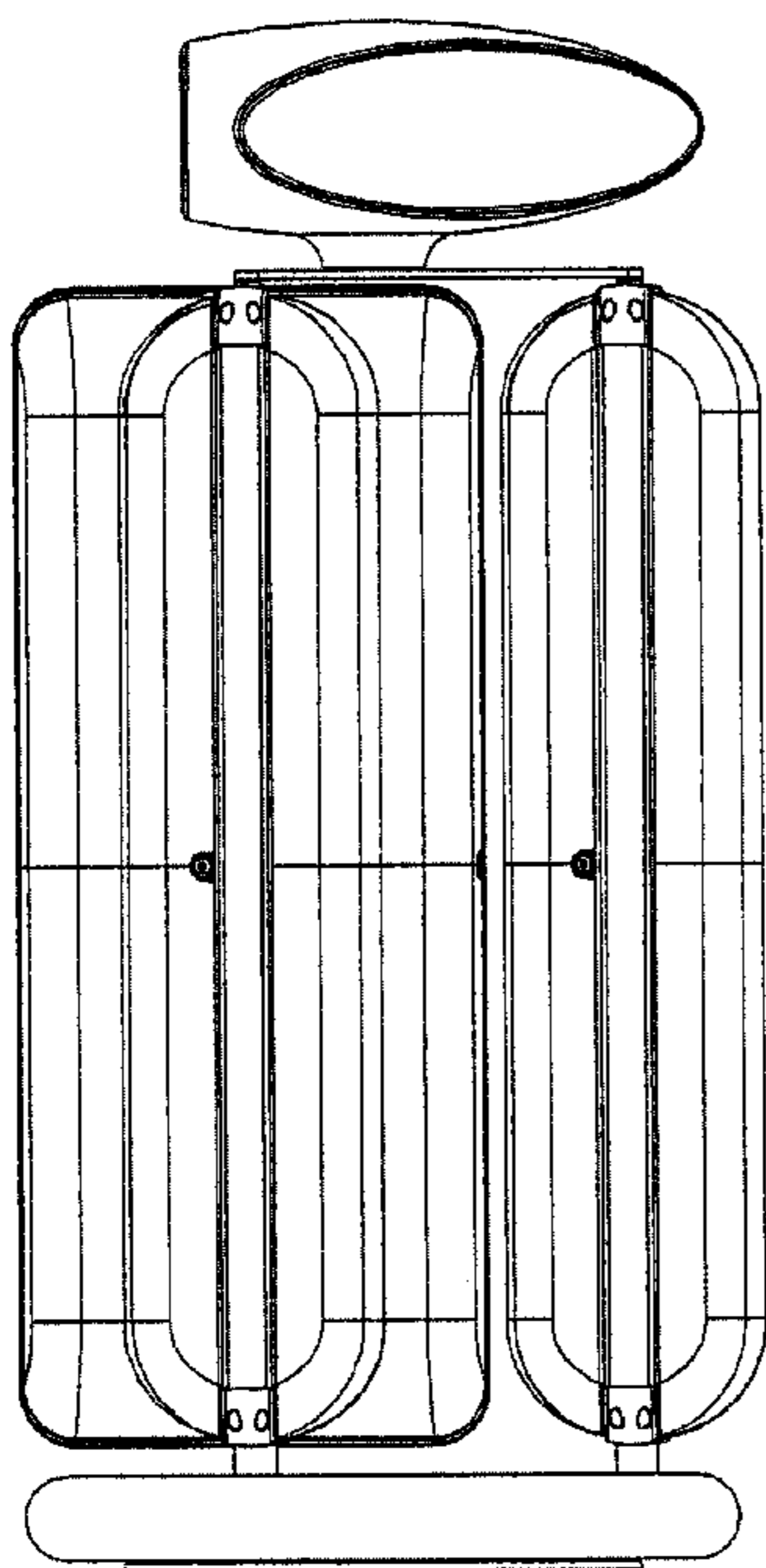
FIG. 4 is a right side view thereof;

FIG. 5 is a top view thereof;

FIG. 6 is a bottom view thereof; and,

FIG. 7 is a perspective view thereof.

1 Claim, 6 Drawing Sheets



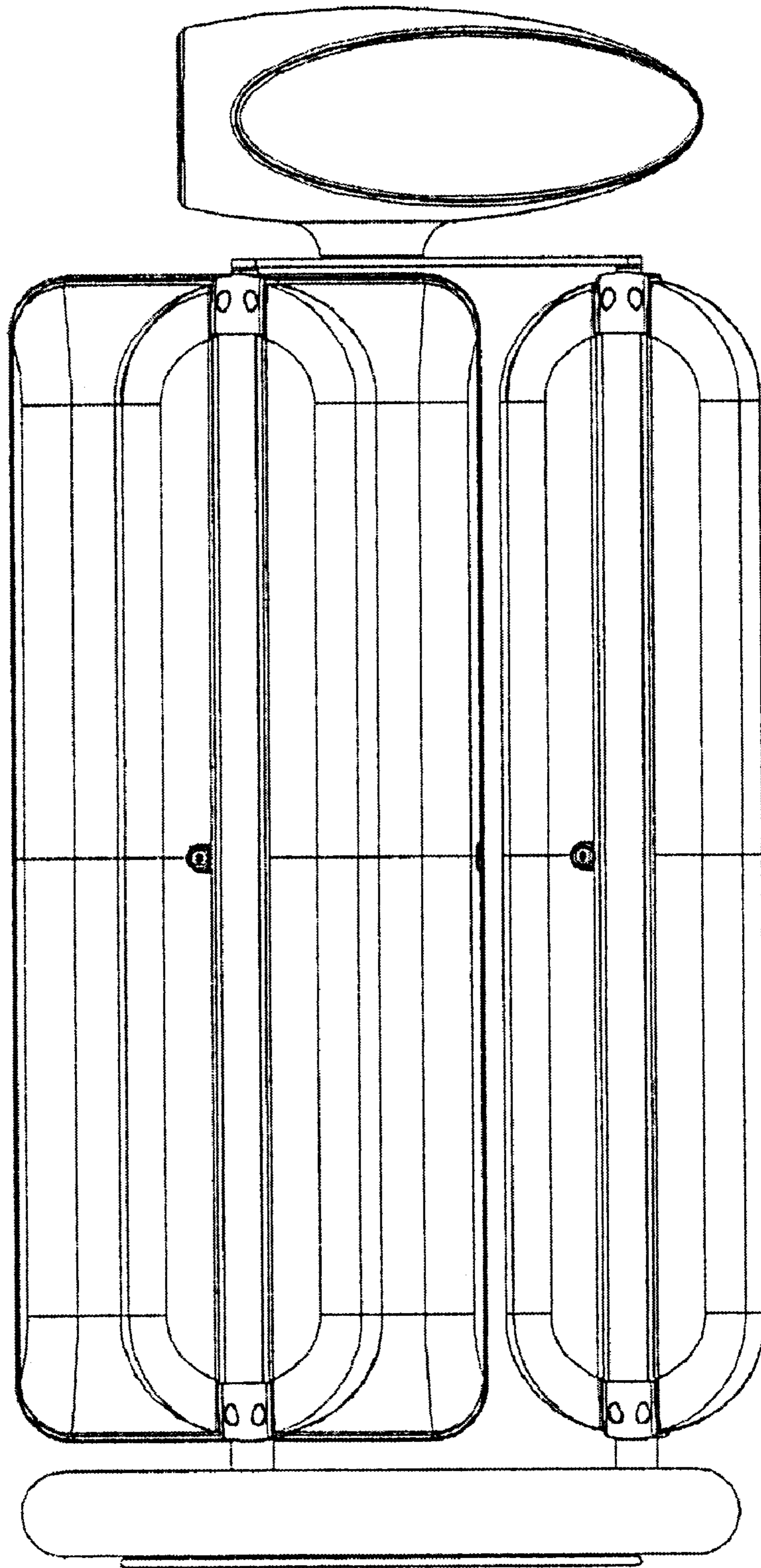


Figure 1

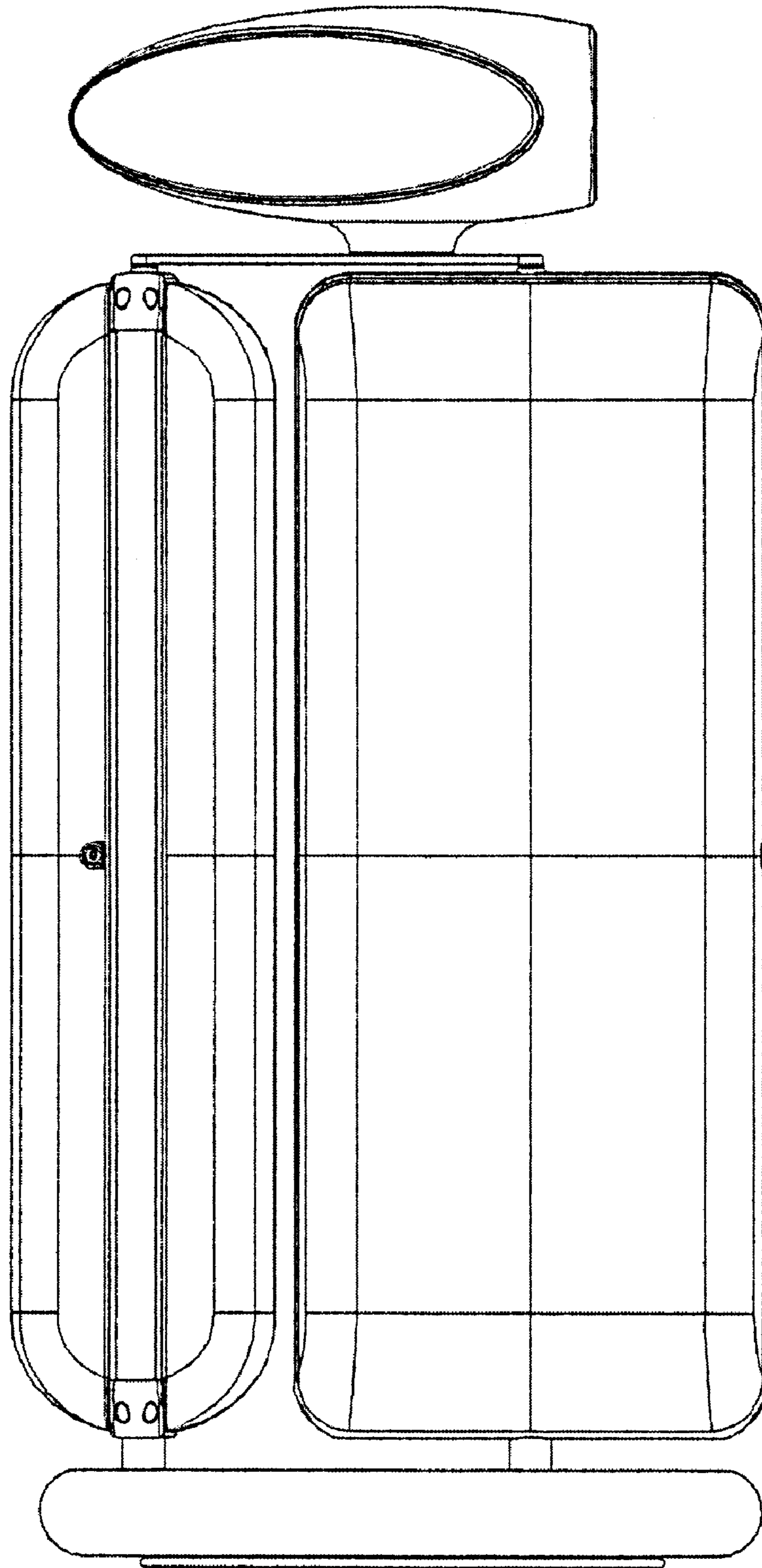


Figure 2

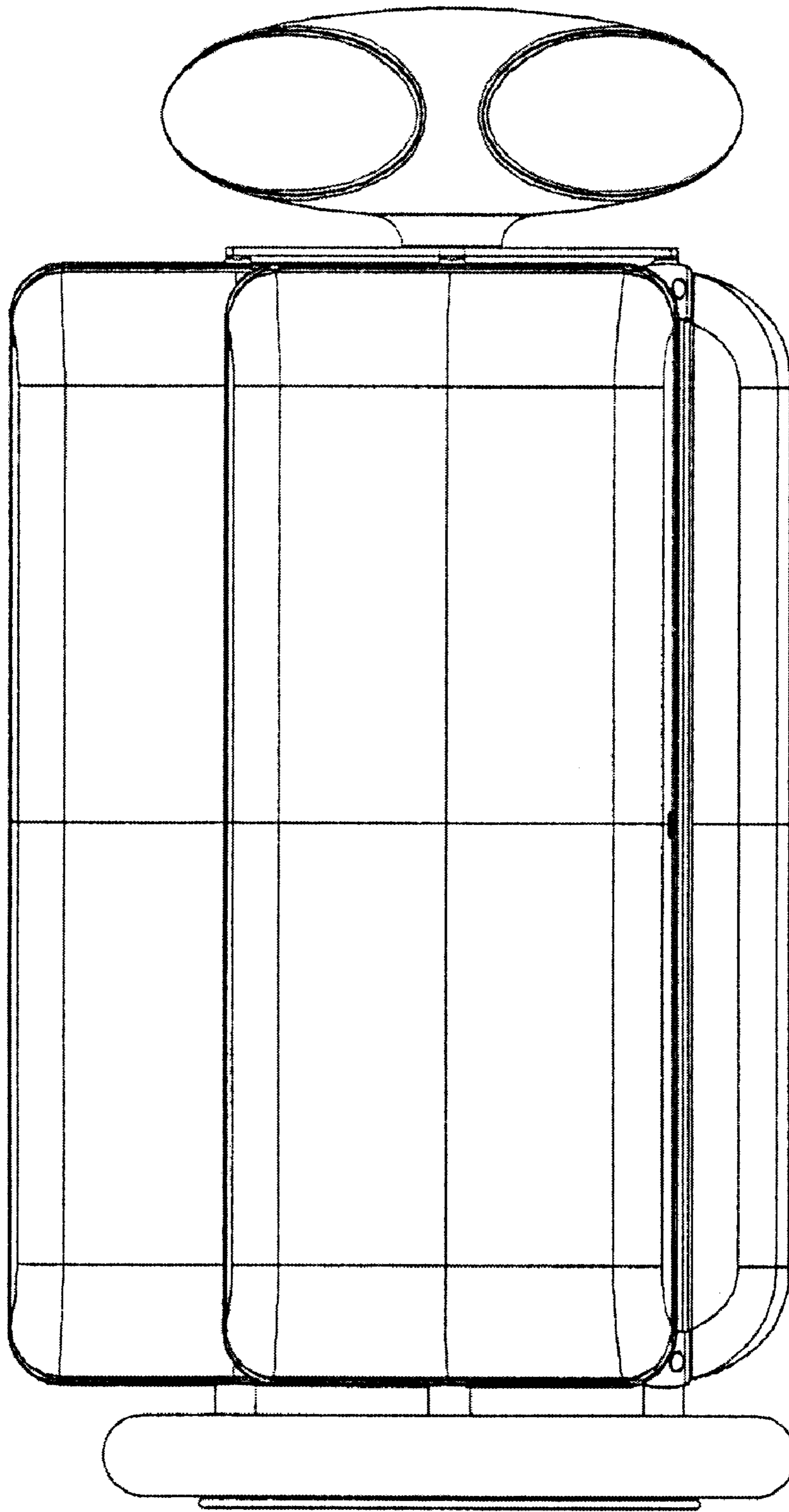


Figure 3

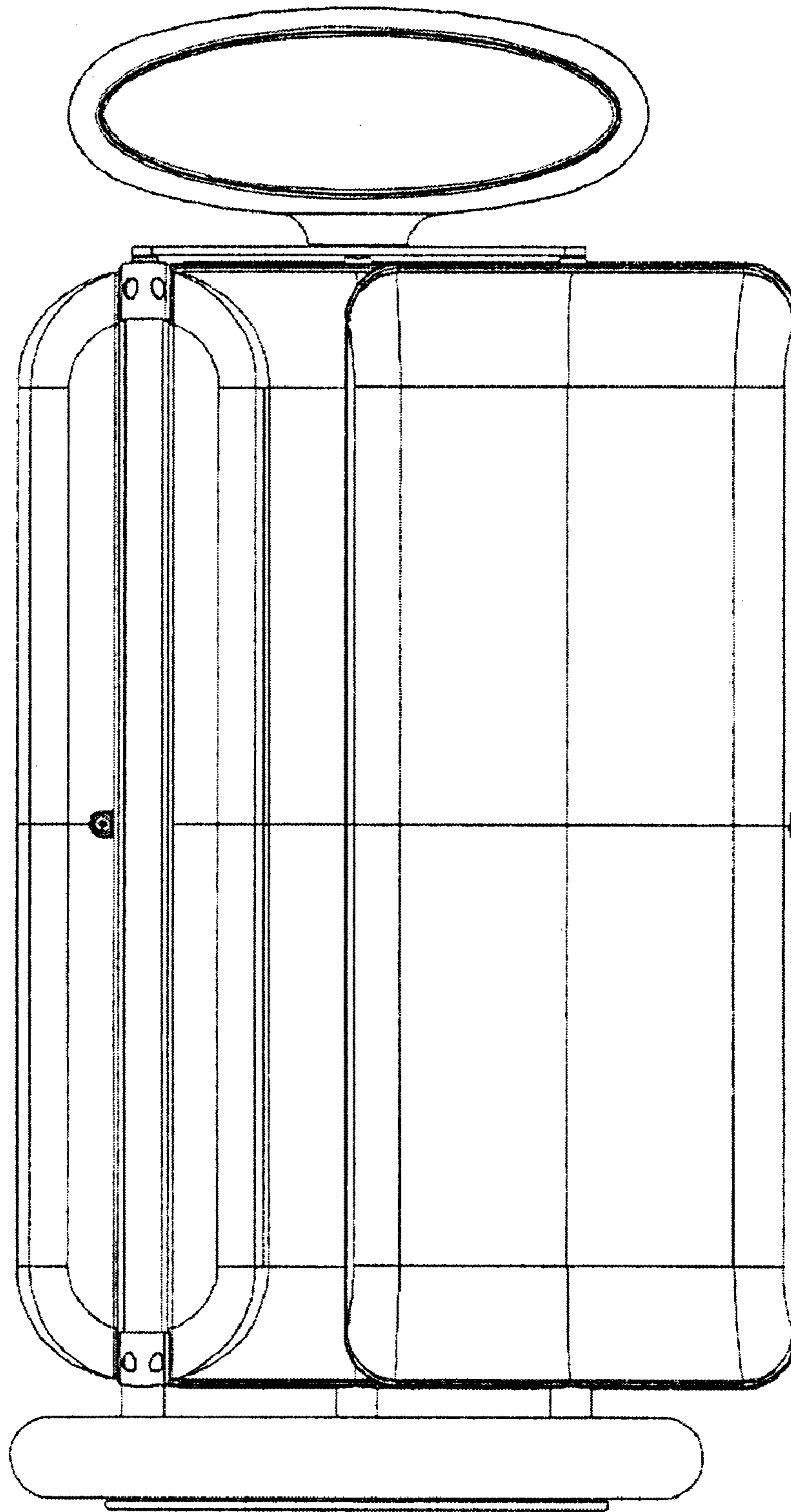


Figure 4

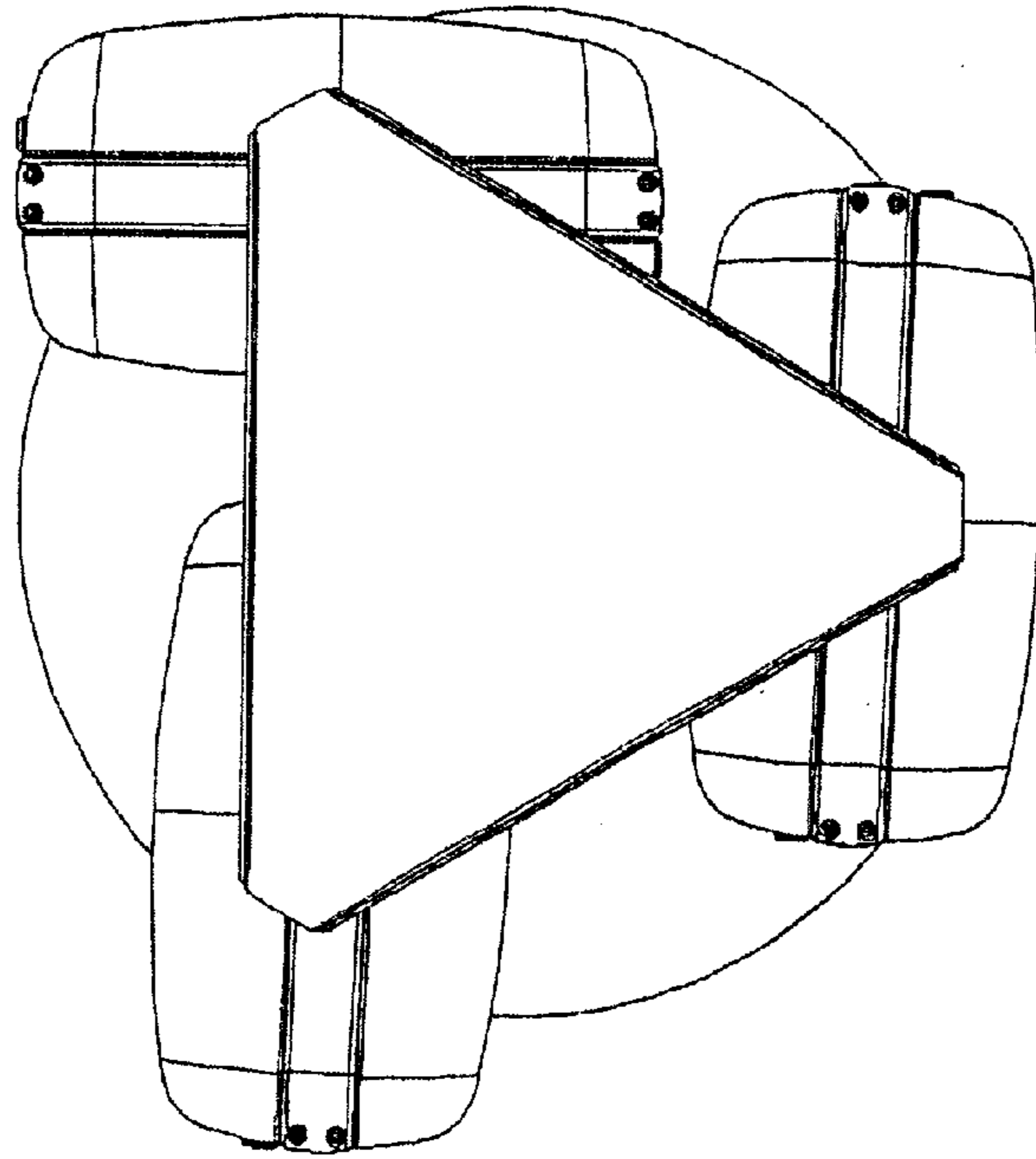


Figure 5

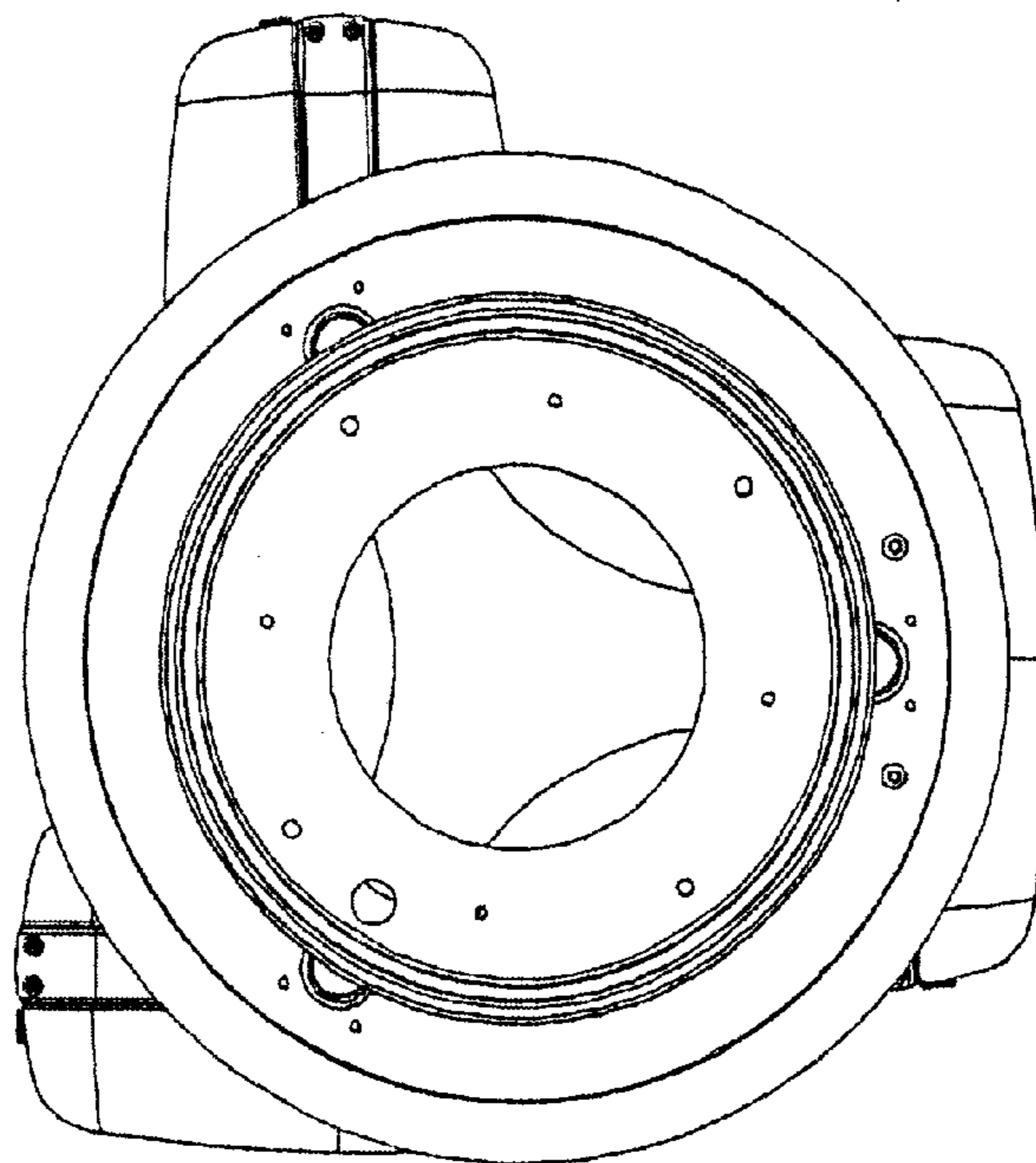


Figure 6

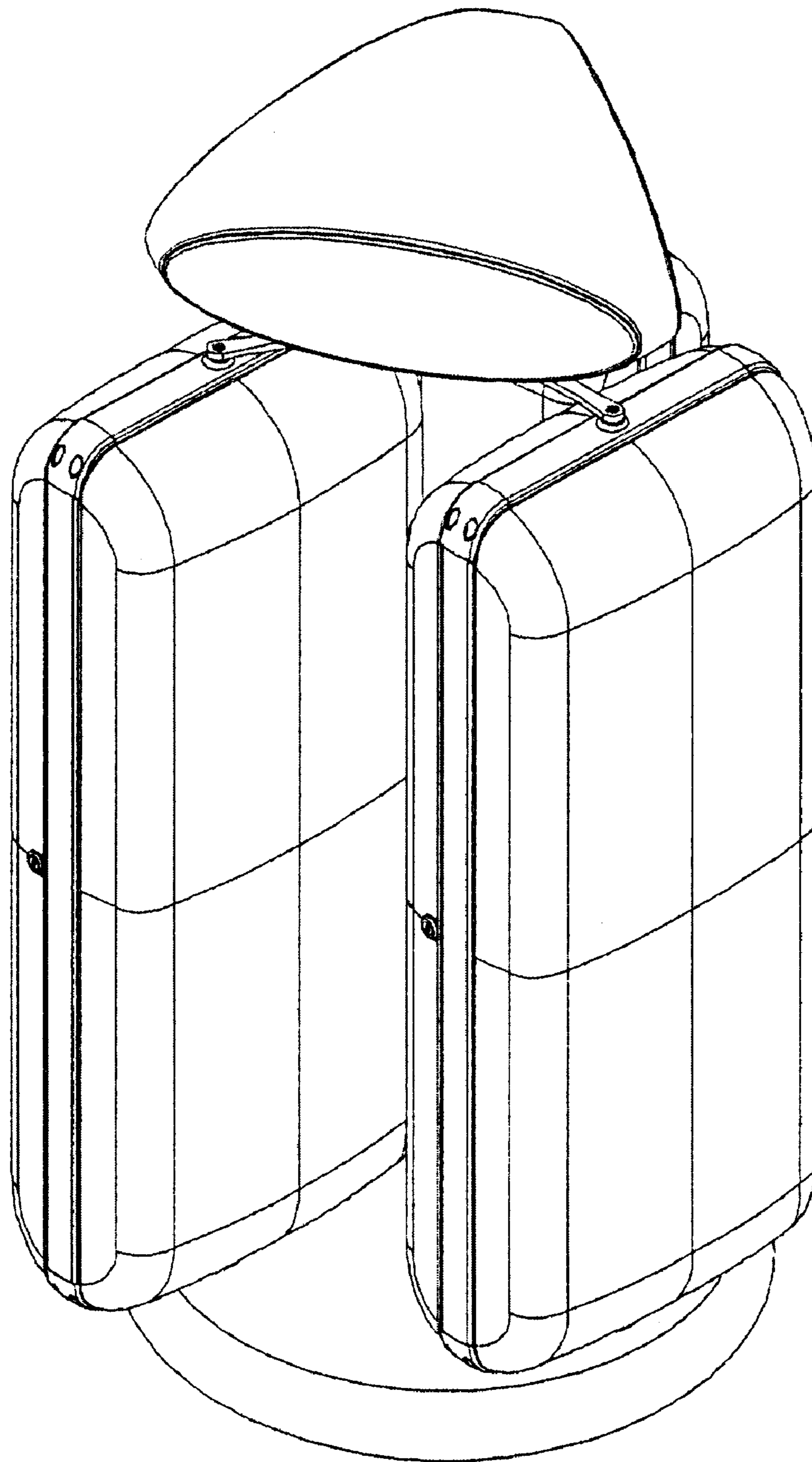


Figure 7