



US00D526814S

(12) **United States Design Patent**
Juneau et al.

(10) **Patent No.:** **US D526,814 S**

(45) **Date of Patent:** **** Aug. 22, 2006**

(54) **FURNITURE**

(75) Inventors: **Alain Juneau**, St-Jean-Chrysostome (CA); **Martin DeBlois**, Manhattan Beach, CA (US)

(73) Assignee: **Baronet, Inc.** (CA)

(**) Term: **14 Years**

(21) Appl. No.: **29/224,598**

(22) Filed: **Mar. 3, 2005**

(51) **LOC (8) Cl.** **06-04**

(52) **U.S. Cl.** **D6/446**

(58) **Field of Classification Search** D6/432,
D6/436, 441, 444-448; 312/114, 204, 224,
312/278-279

See application file for complete search history.

(56) **References Cited**

U.S. PATENT DOCUMENTS

D118,944 S	*	2/1940	Krick	D6/439
D193,717 S	*	10/1962	Deaton	D6/446
D215,731 S		10/1969	Solie		
D251,885 S	*	5/1979	Tebbe et al.	D6/446
D333,578 S		3/1993	White		
D424,833 S	*	5/2000	Zaidman	D6/446
D426,086 S	*	6/2000	Lacroix et al.	D6/445
D440,430 S	*	4/2001	Hutton	D6/446
D473,401 S	*	4/2003	de Blois	D6/446
D487,200 S	*	3/2004	Wanek et al.	D6/444
D488,002 S	*	4/2004	Wanek et al.	D6/446
D488,328 S	*	4/2004	Stanton	D6/446
D493,043 S	*	7/2004	Juneau et al.	D6/446
D494,774 S	*	8/2004	de Blois	D6/446
D501,736 S	*	2/2005	Kirkpatrick	D6/446
D503,564 S	*	4/2005	Juneau et al.	D6/446
D508,347 S	*	8/2005	Juneau et al.	D6/446

OTHER PUBLICATIONS

Thomasville Connotations, 1983.

* cited by examiner

Primary Examiner—Cathron C. Brooks

(74) *Attorney, Agent, or Firm*—SAIDMAN DesignLaw Group

(57) **CLAIM**

The ornamental design for furniture, as shown and described.

DESCRIPTION

FIG. 1 is a perspective view of a first embodiment of furniture showing my new design;

FIG. 2 is a front view thereof;

FIG. 3 is a right-side view thereof, the left-side view being a mirror-image thereof;

FIG. 4 is a top view thereof;

FIG. 5 is a perspective view of a second embodiment of furniture showing my new design;

FIG. 6 is a front view thereof;

FIG. 7 is a right-side view thereof, the left-side view being a mirror-image thereof;

FIG. 8 is a top view thereof;

FIG. 9 is a perspective view of a third embodiment of furniture showing my new design;

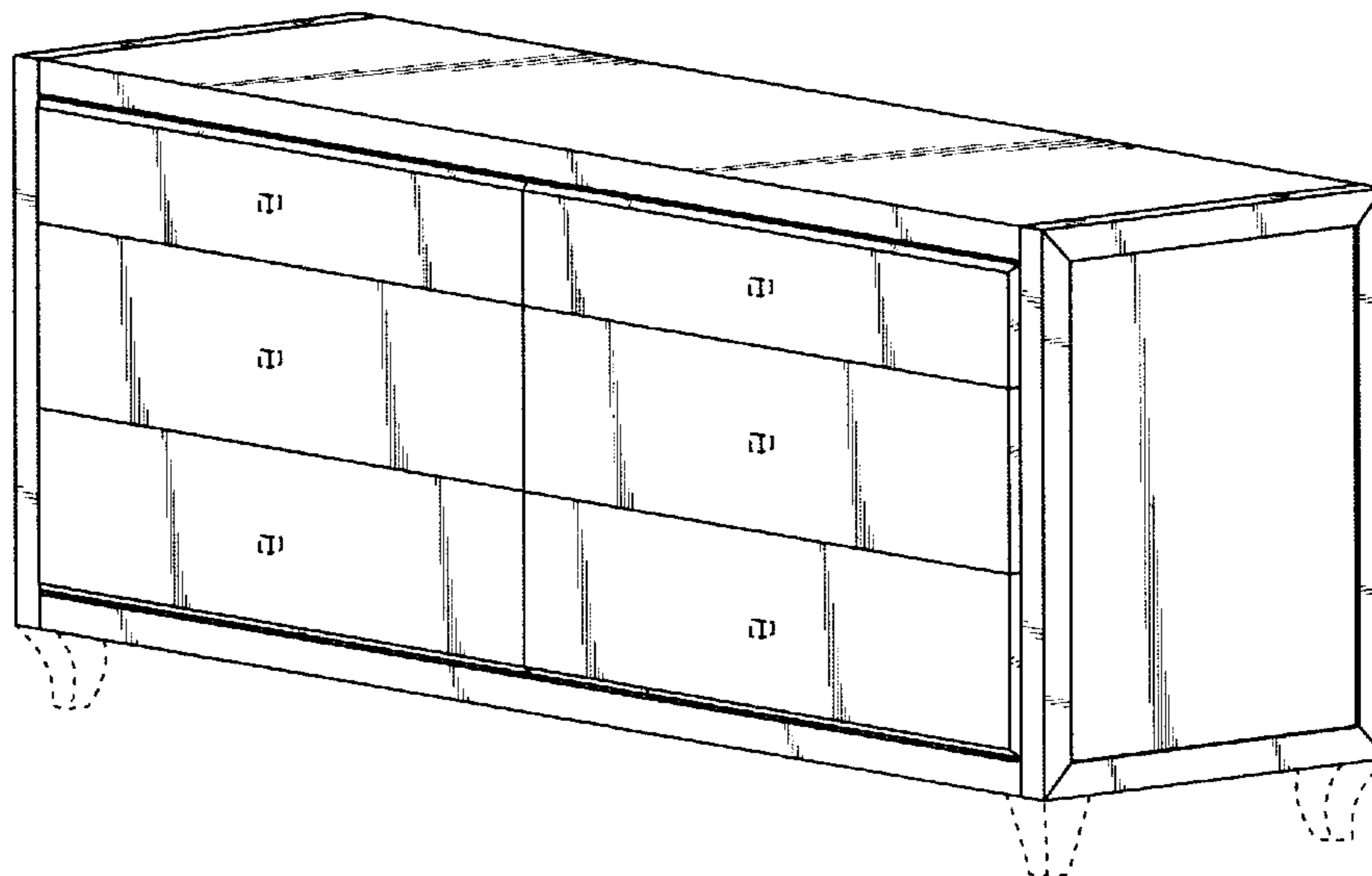
FIG. 10 is a front view thereof;

FIG. 11 is a right-side view thereof, the left-side view being a mirror-image thereof; and,

FIG. 12 is a top view thereof.

The short broken dashed line showing in the drawings is illustrative and forms no part of the claimed design. The dash-dot broken line showing on the upper portion of the furniture in FIGS. 9-11 represents boundaries of the claimed design and forms no part of the claimed design.

1 Claim, 8 Drawing Sheets



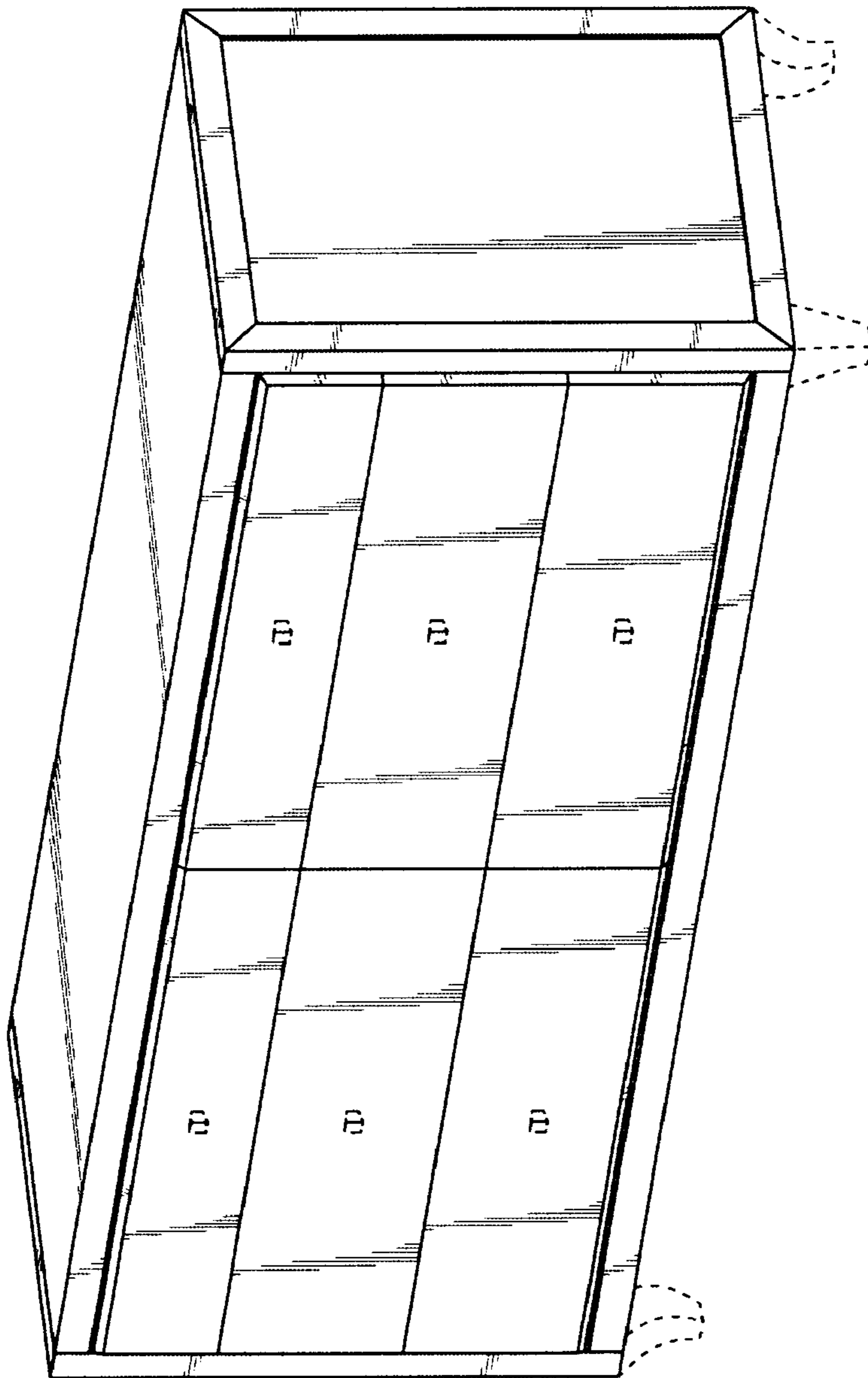


Fig. 1

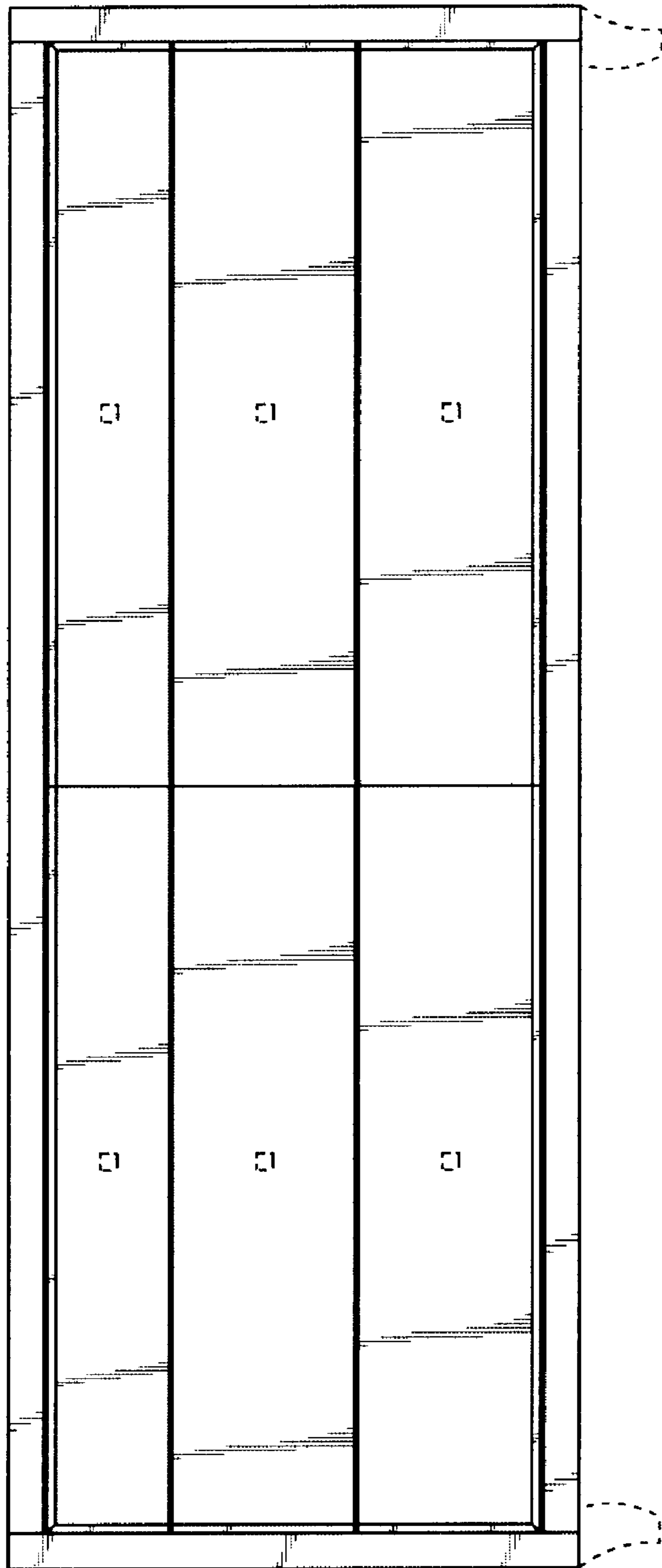


Fig. 2

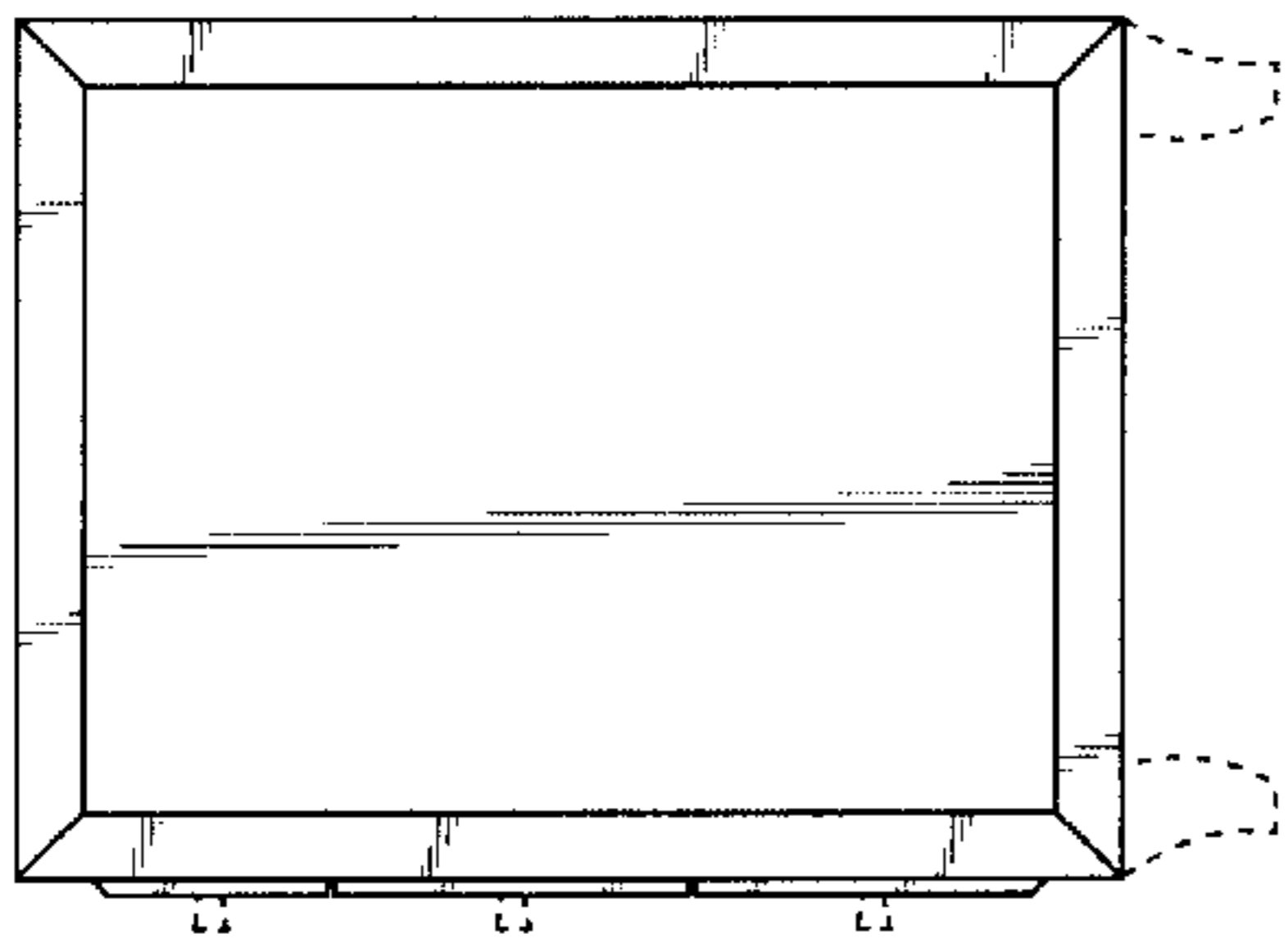


Fig. 3

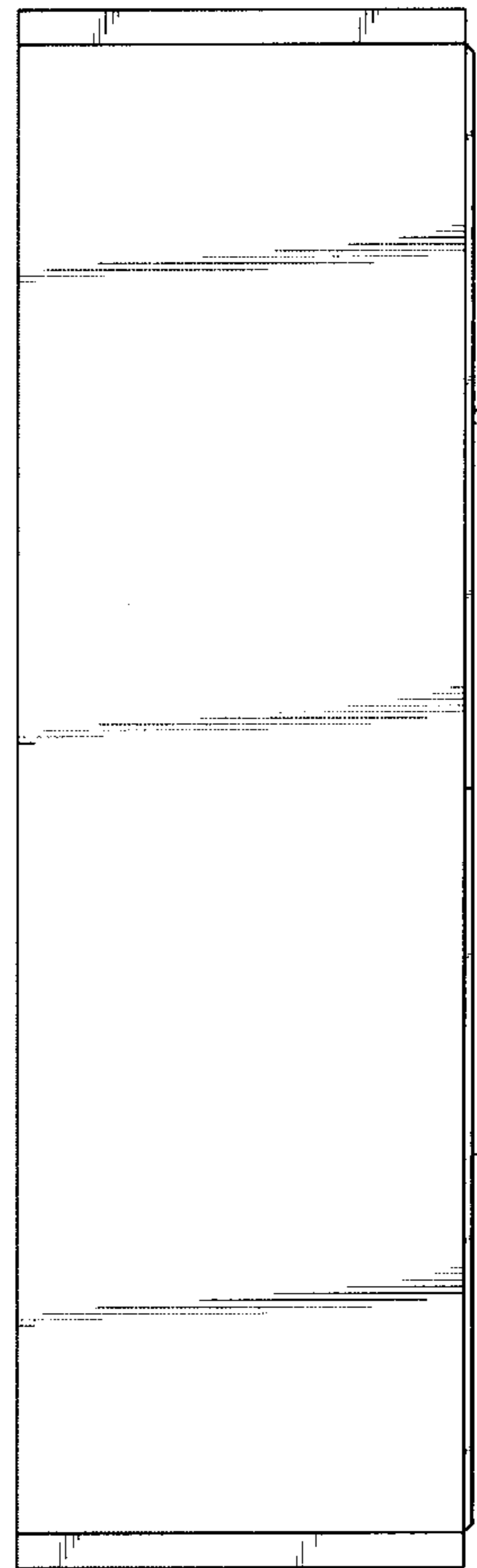


Fig. 4

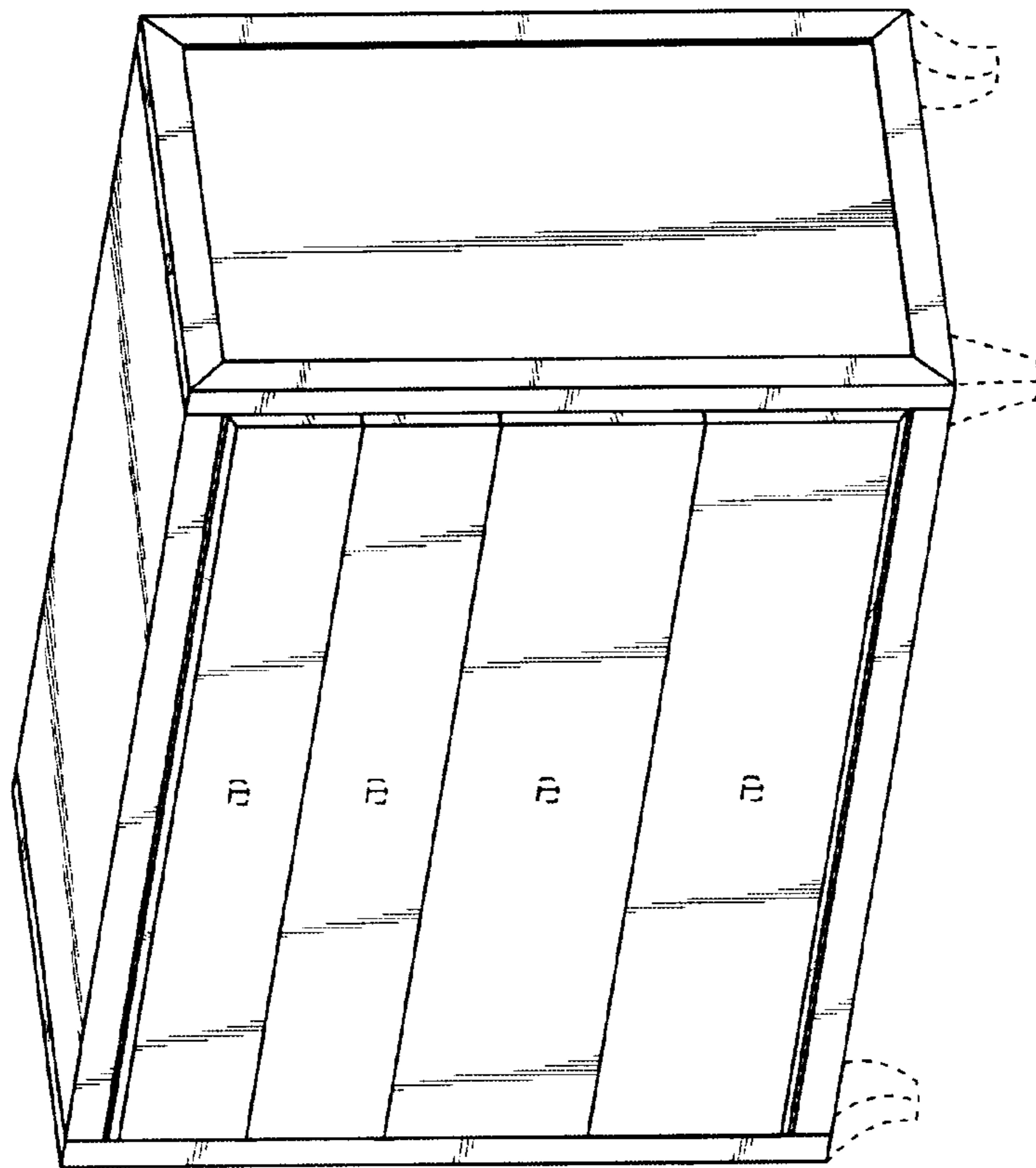


Fig. 5

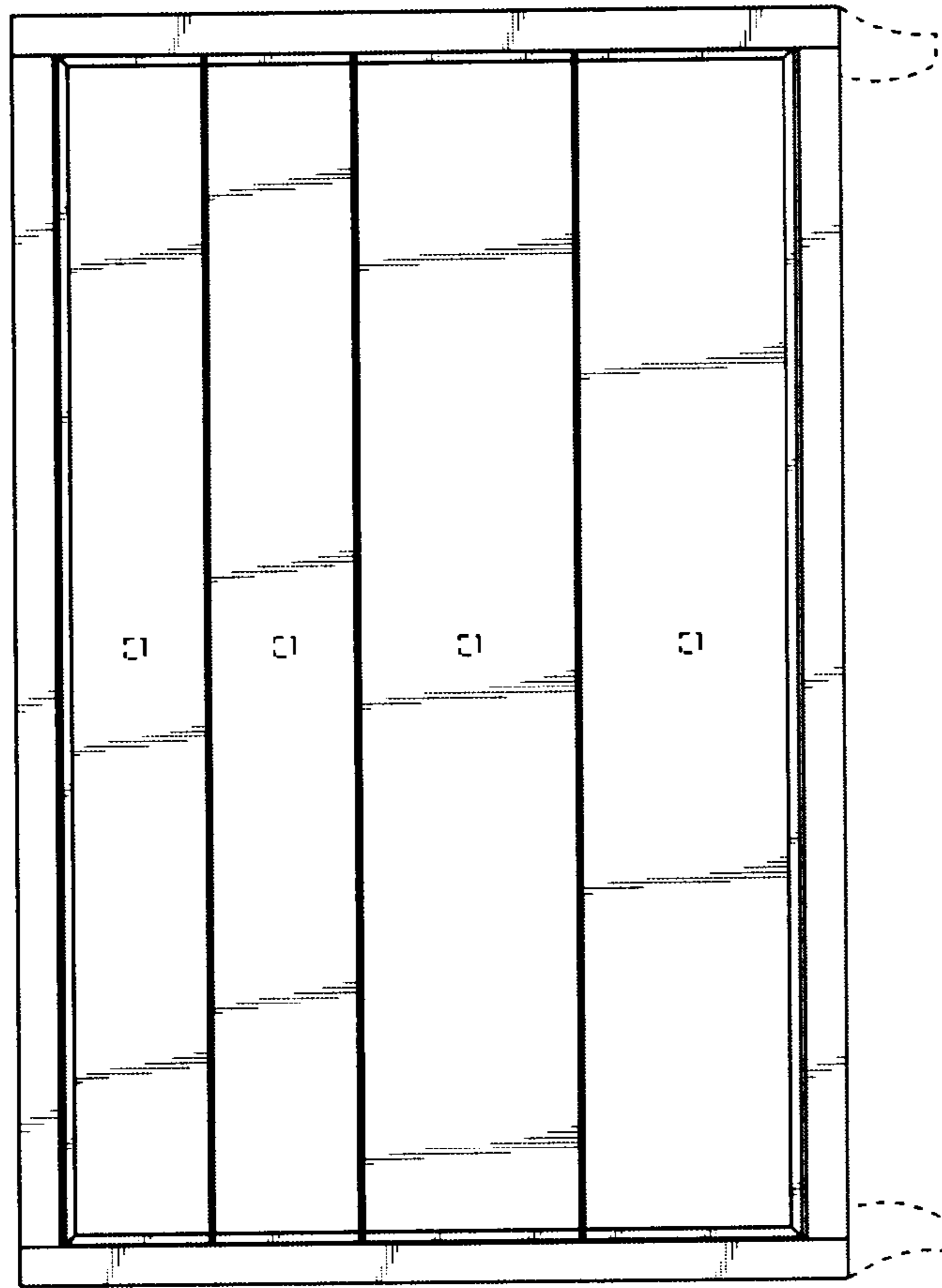


Fig. 6

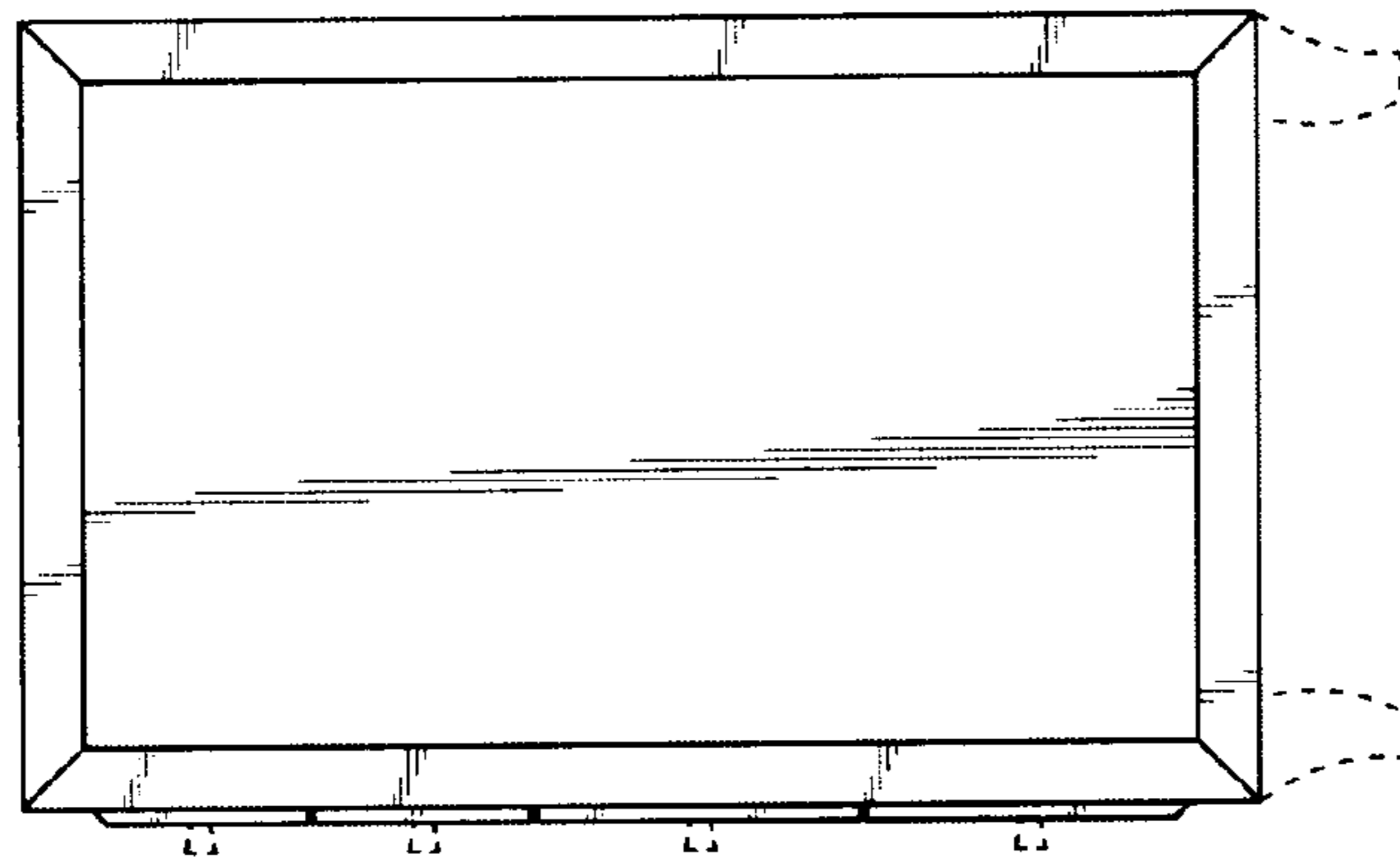


Fig. 7

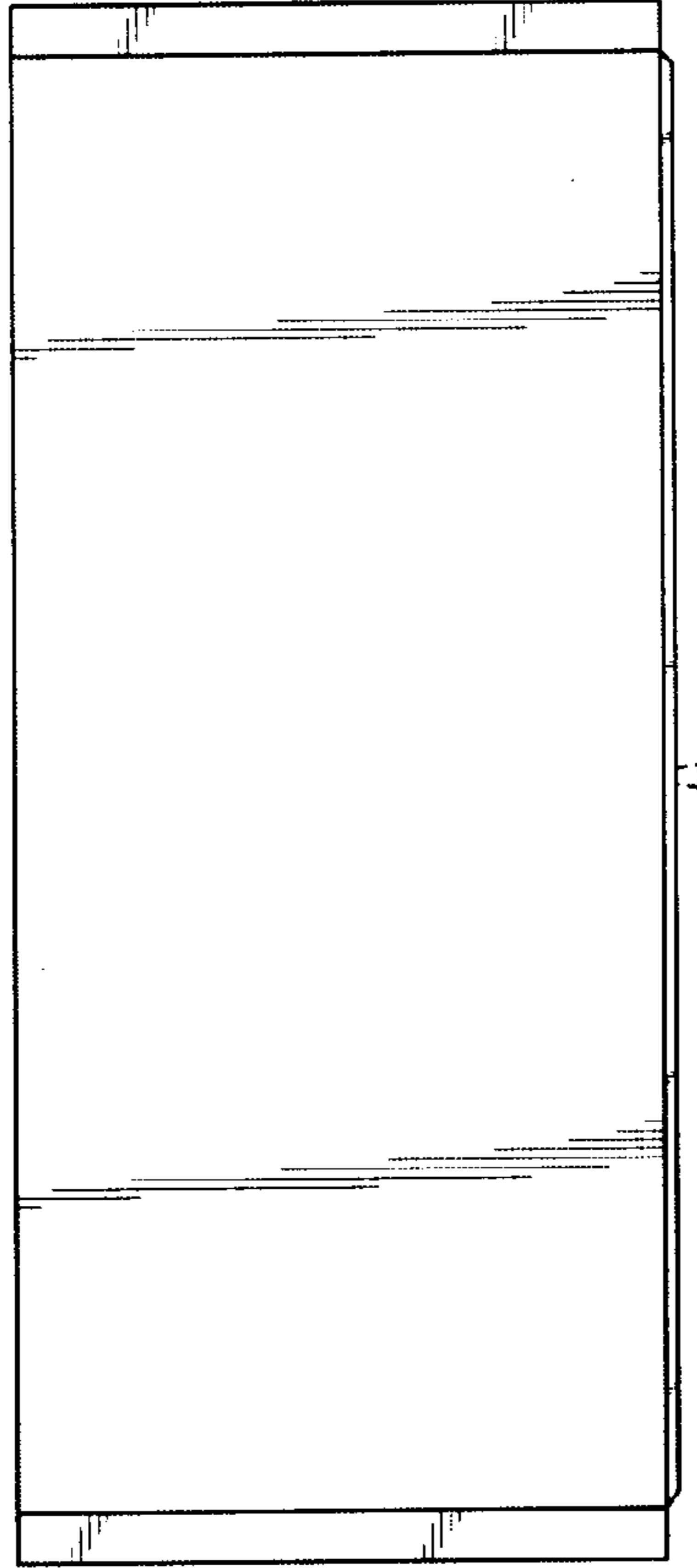


Fig. 8

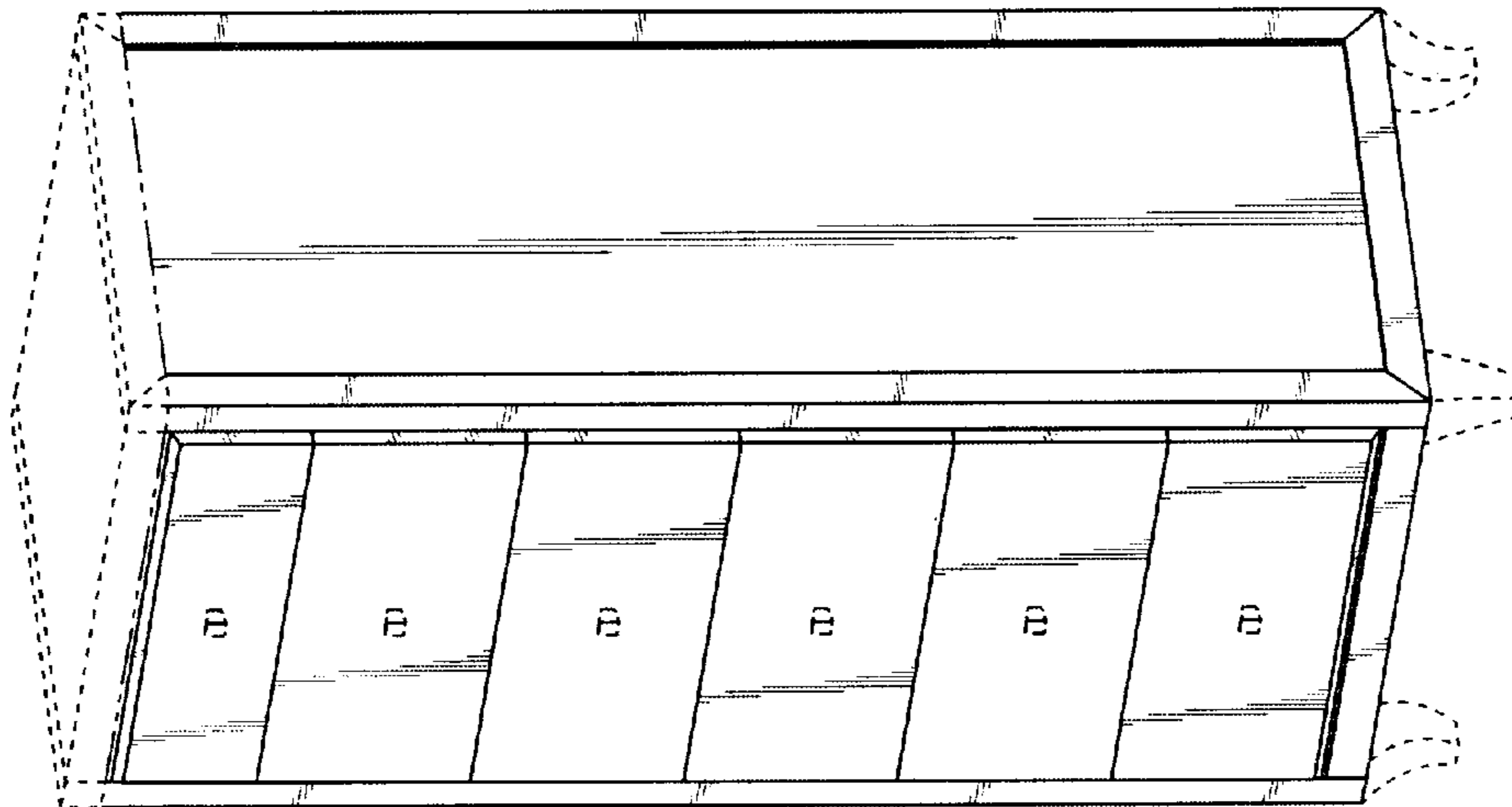


Fig. 9

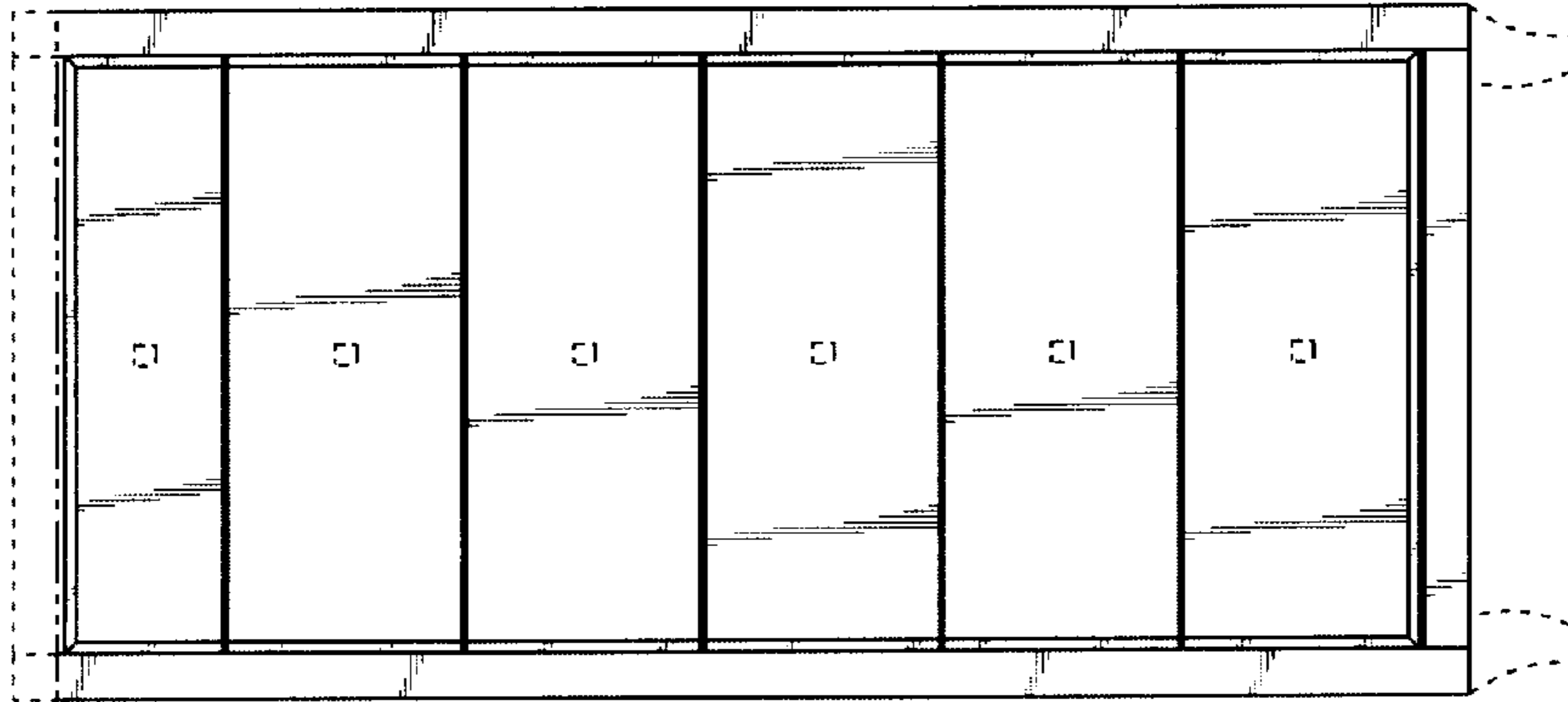


Fig. 10

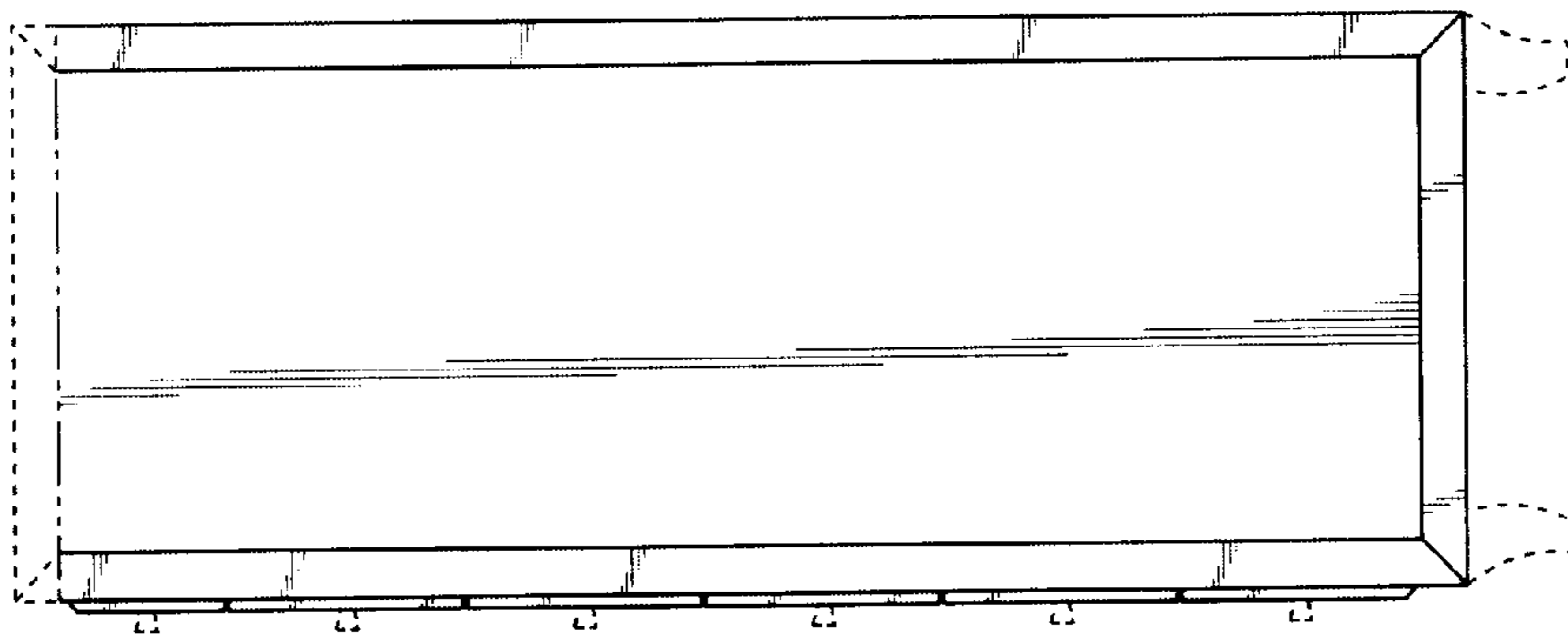


Fig. 11

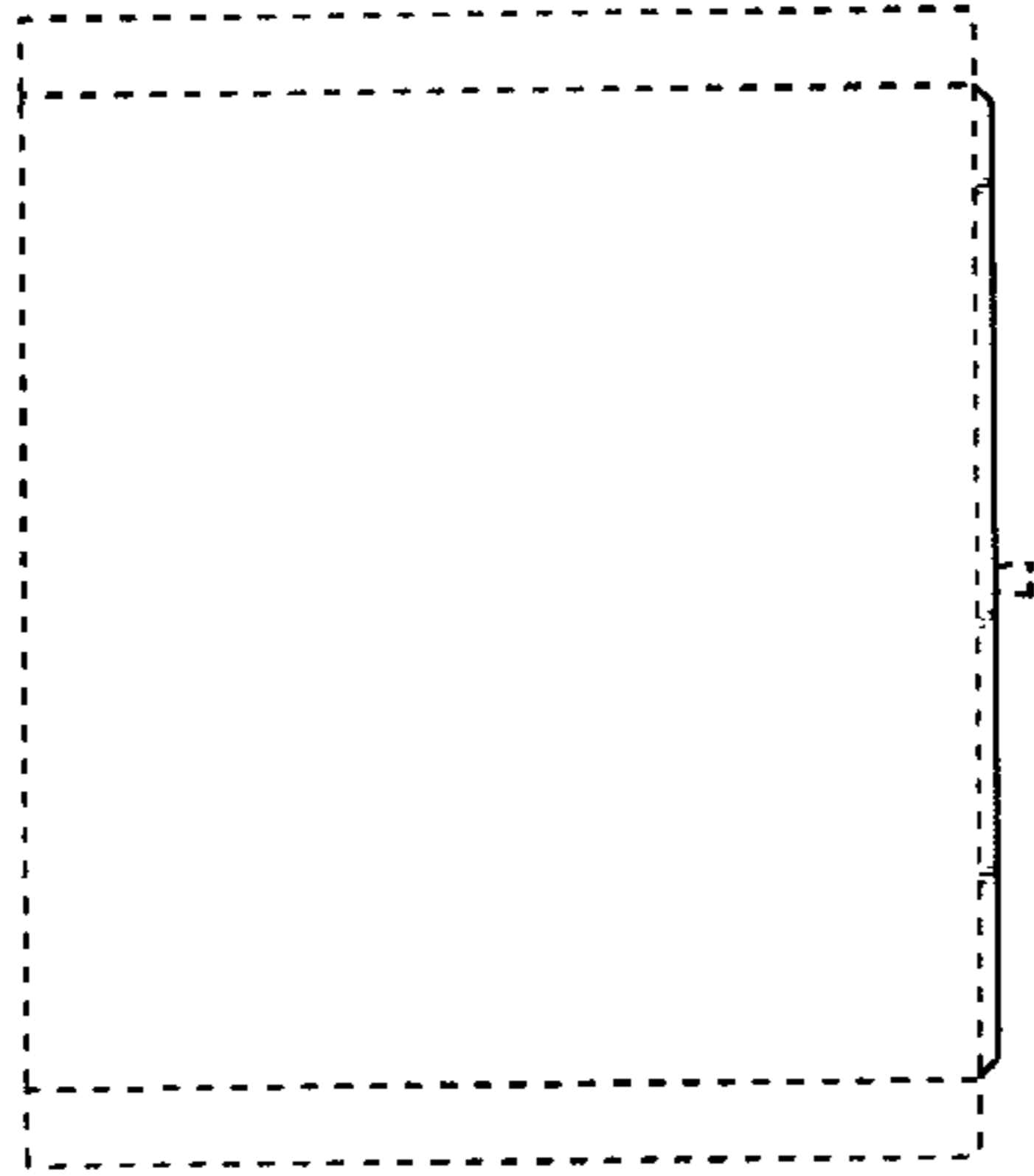


Fig. 12