

US00D526812S

(12) **United States Design Patent**
Chen

(10) **Patent No.:** **US D526,812 S**

(45) **Date of Patent:** **** Aug. 22, 2006**

(54) **COMPUTER DESK**

3,058,794 A * 10/1962 Barber 108/147.18
3,366,431 A * 1/1968 Hanson 312/208.1

(75) Inventor: **Deng-Hsi Chen**, Deelung (TW)

* cited by examiner

(73) Assignee: **Lian Li Industrial Co., Ltd.**, Keelung (TW)

Primary Examiner—Janice E. Seeger

(74) *Attorney, Agent, or Firm*—Birch, Stewart, Kolasch & Birch, LLP

(**) Term: **14 Years**

(57) **CLAIM**

(21) Appl. No.: **29/220,616**

The ornamental design for an computer desk, as shown and described.

(22) Filed: **Jan. 5, 2005**

(51) **LOC (8) Cl.** **06-03**

(52) **U.S. Cl.** **D6/425**

(58) **Field of Classification Search** D6/422-426,
D6/429, 480, 474; 108/50.01, 50.02, 147.19;
312/194-196, 203, 239

See application file for complete search history.

DESCRIPTION

FIG. 1 is a perspective view of an computer desk showing my new design;

FIG. 2 is a front elevation view thereof;

FIG. 3 is a rear elevation view thereof;

FIG. 4 is a left side elevation view thereof;

FIG. 5 is a right side elevation view thereof;

FIG. 6 is a top plan view thereof; and,

FIG. 7 is a bottom plan view thereof.

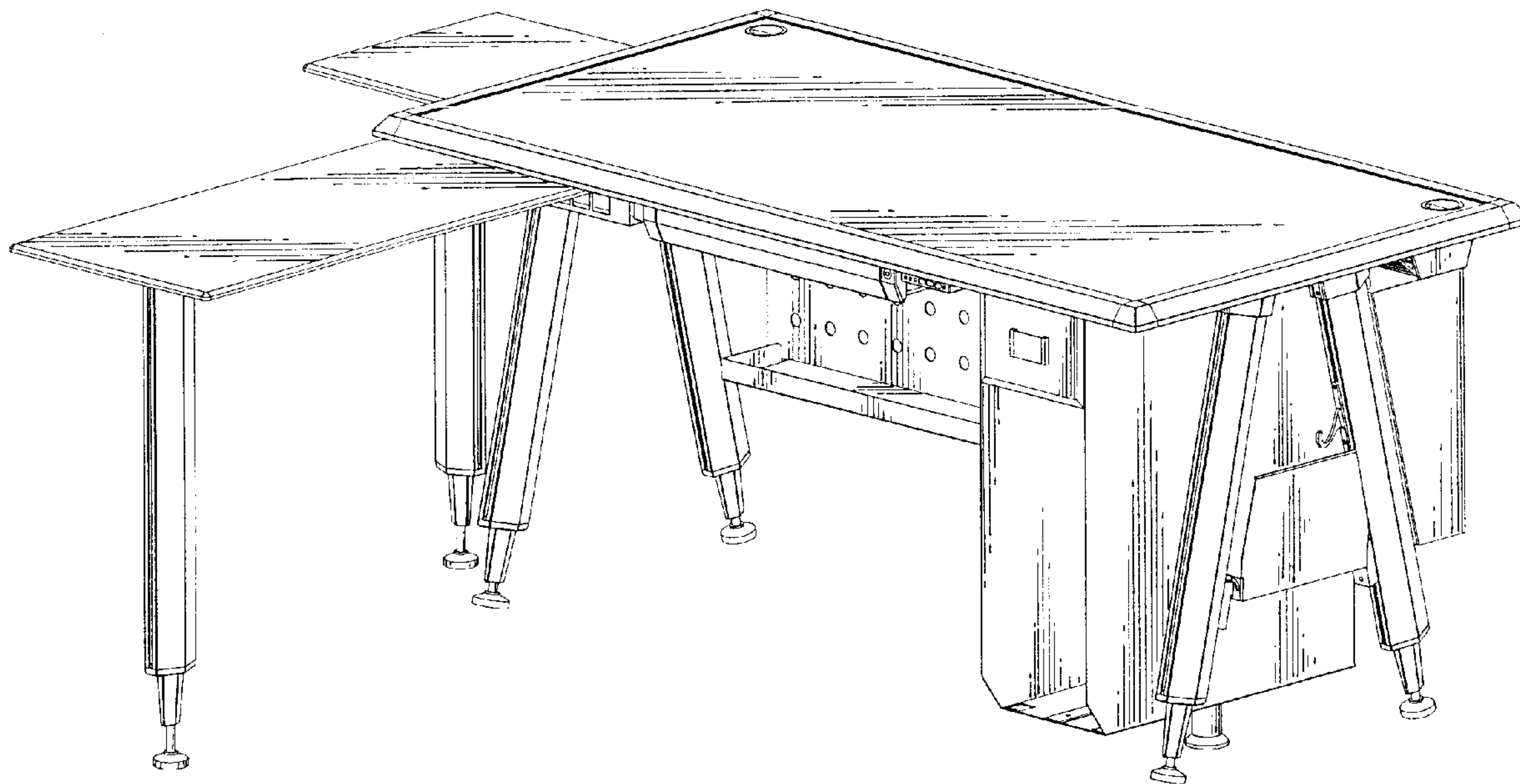
(56) **References Cited**

U.S. PATENT DOCUMENTS

D183,576 S * 9/1958 McCarthy D6/426

D186,516 S * 11/1959 Anderson D6/422

1 Claim, 7 Drawing Sheets



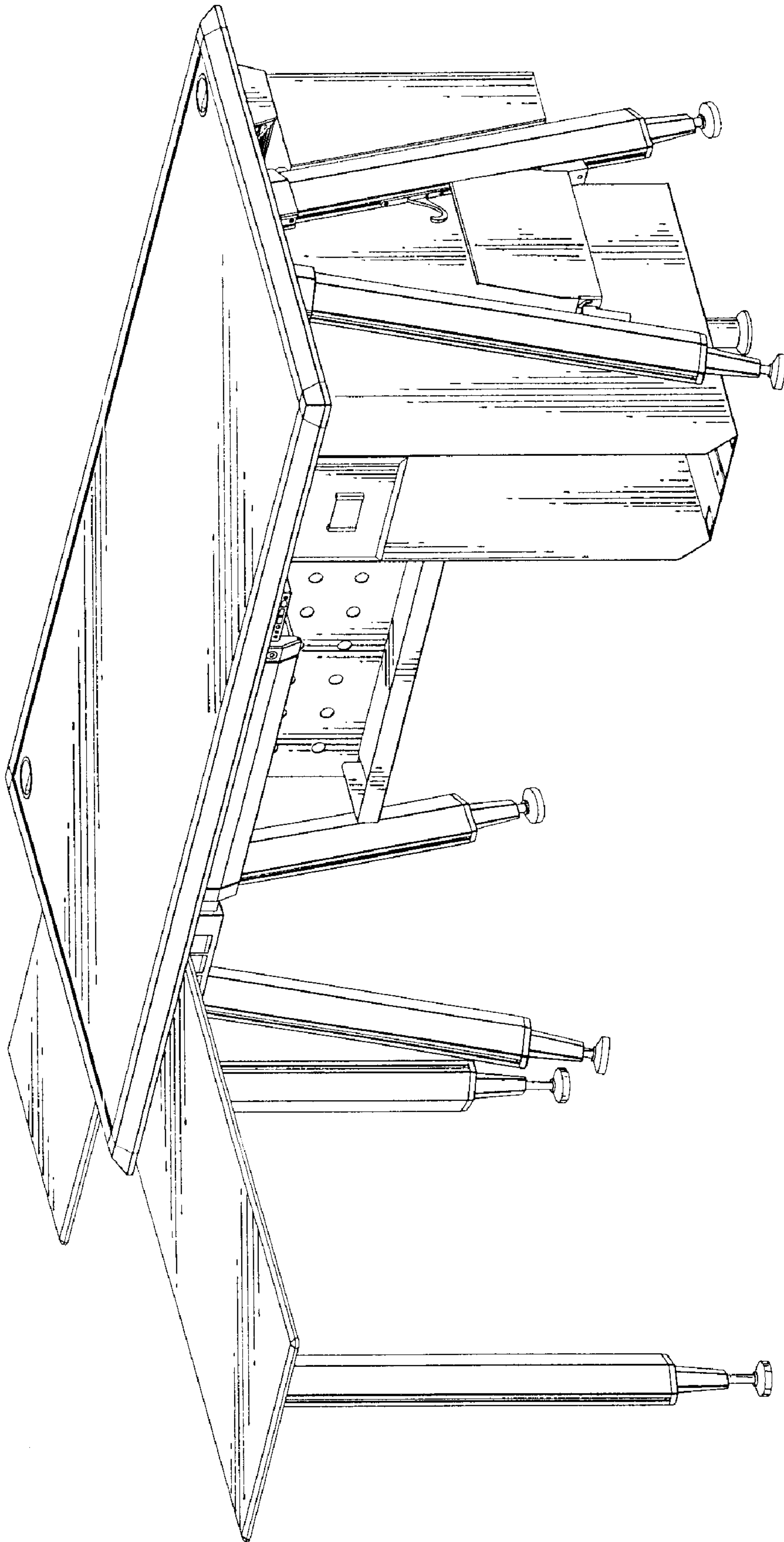


Fig. 1

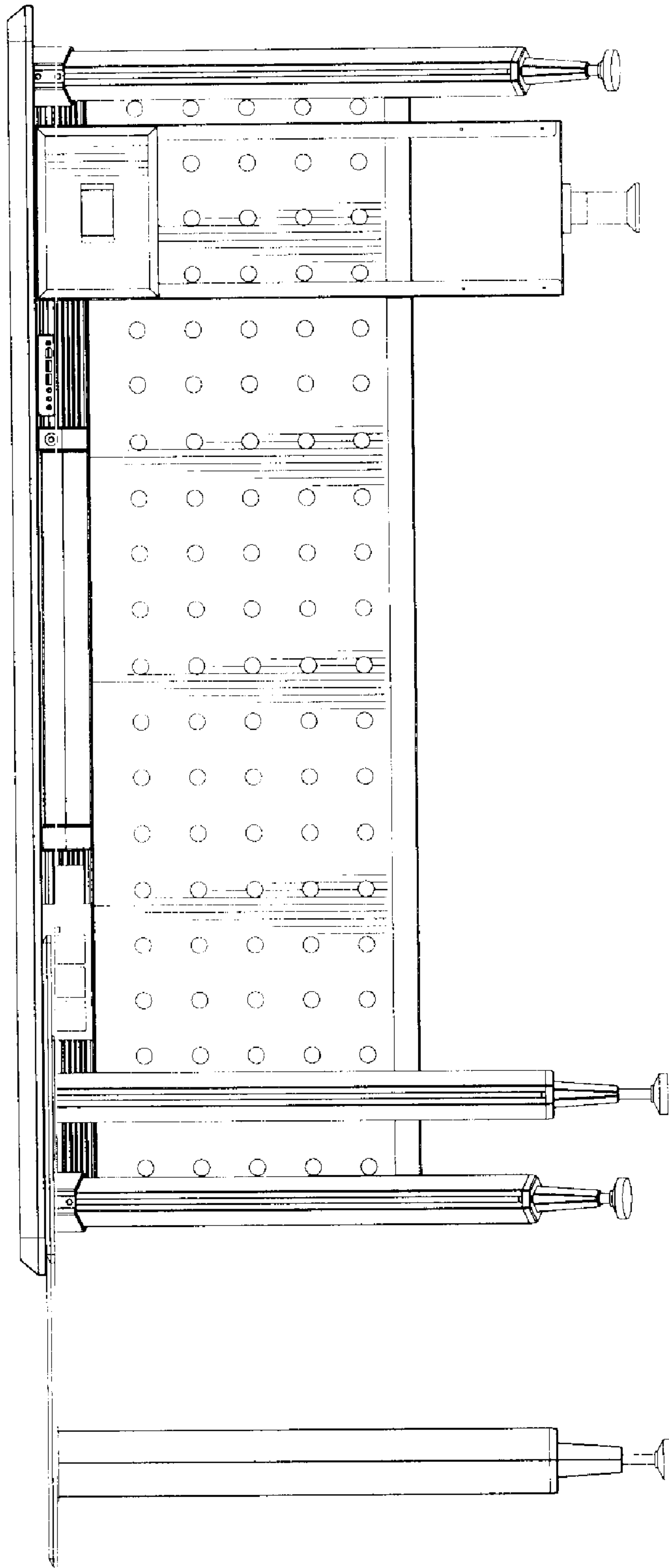


Fig. 2

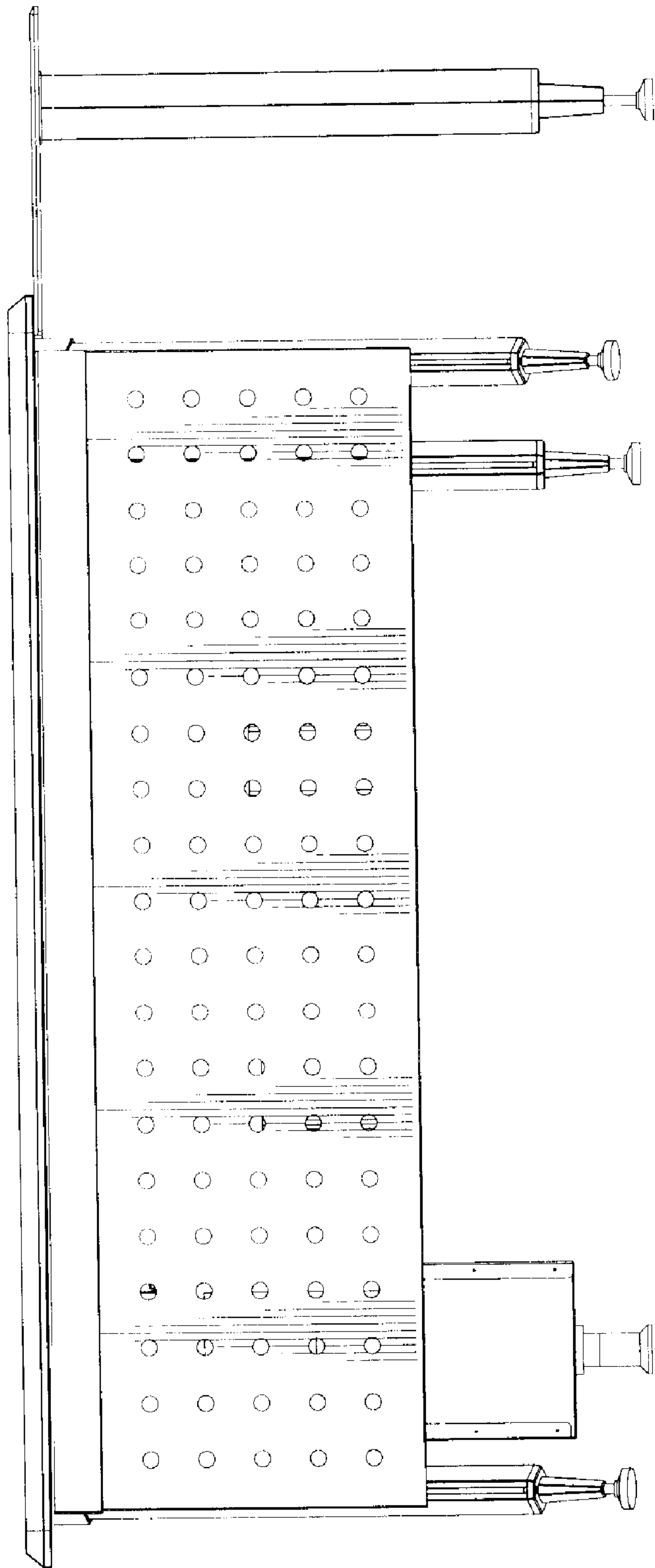


Fig. 3

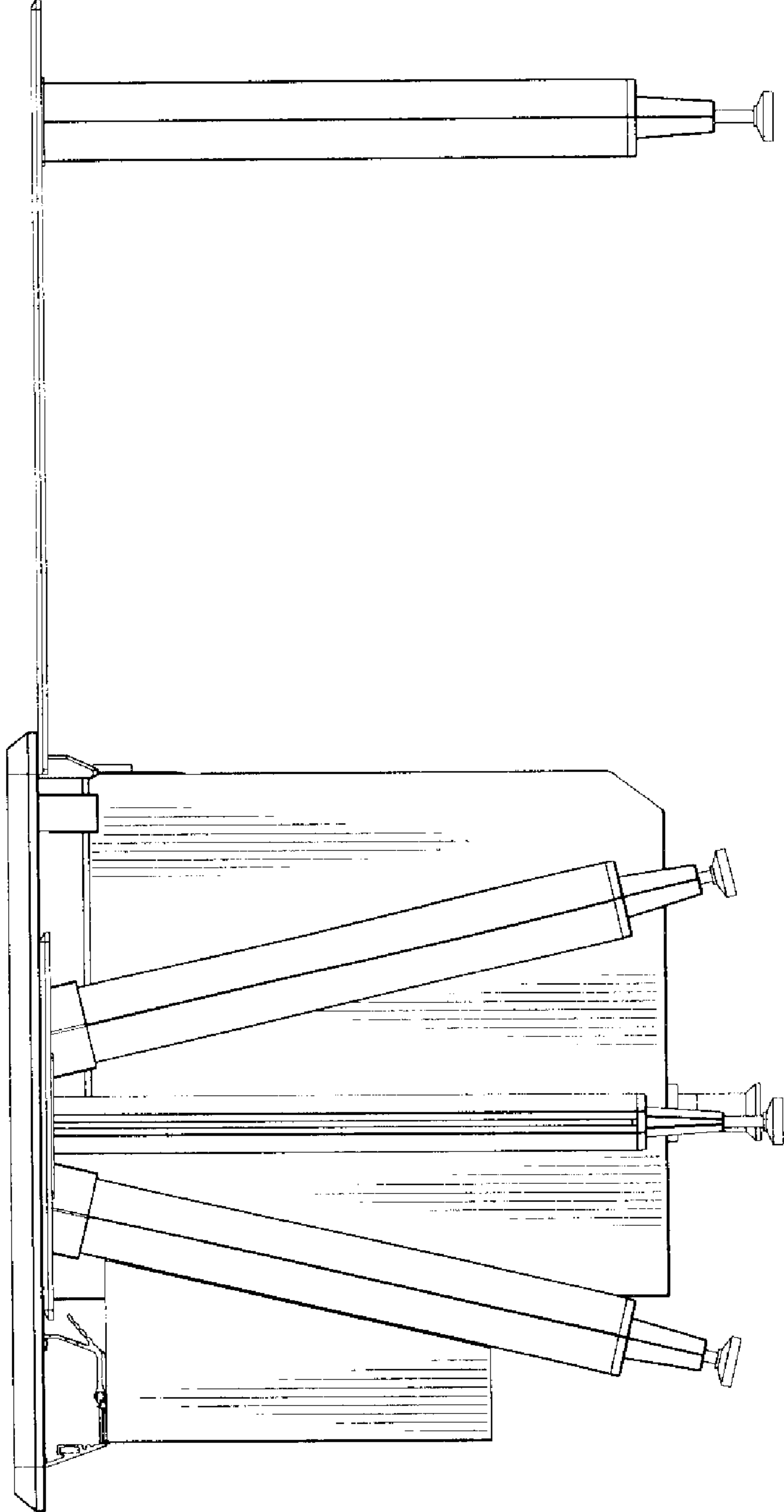


Fig.4

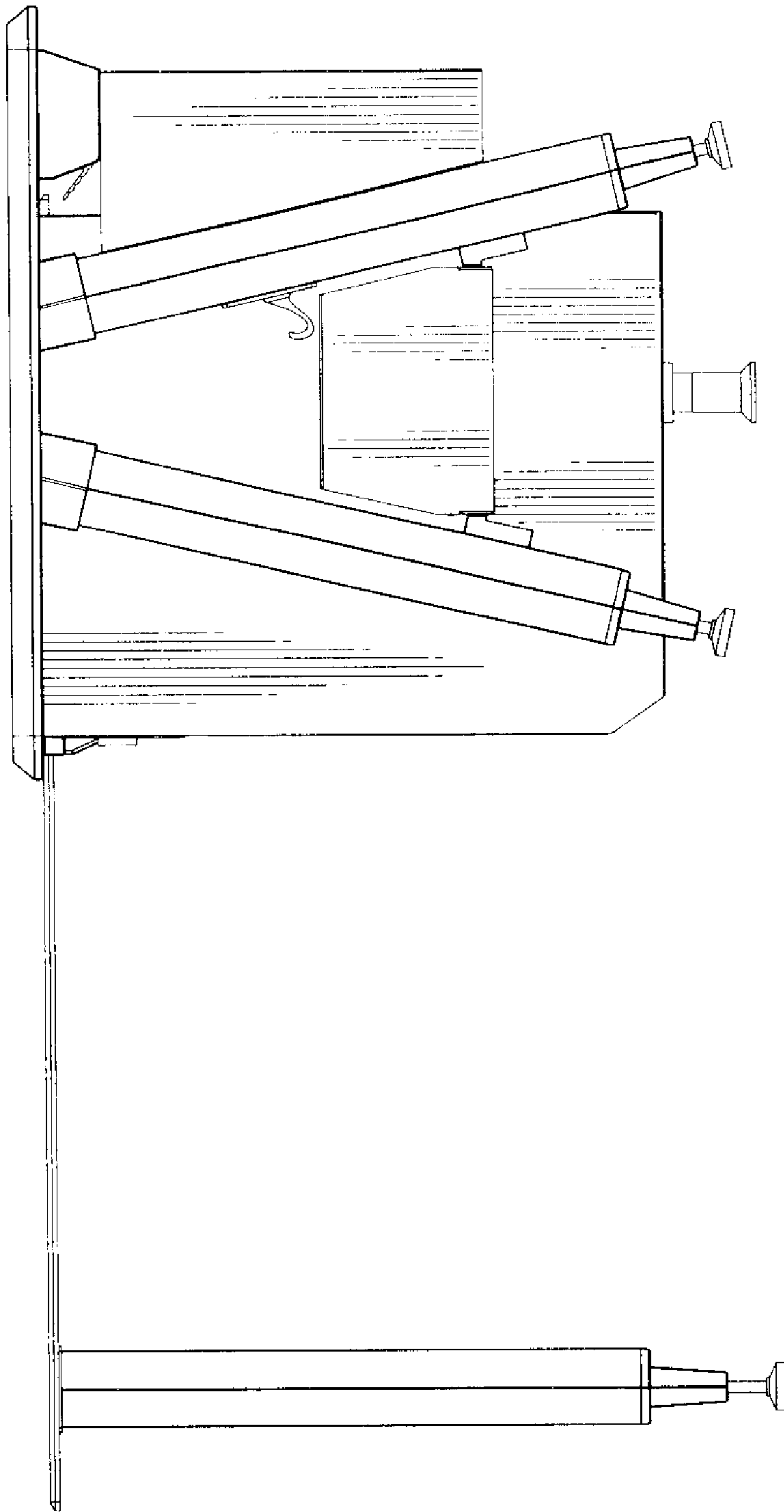


Fig. 5

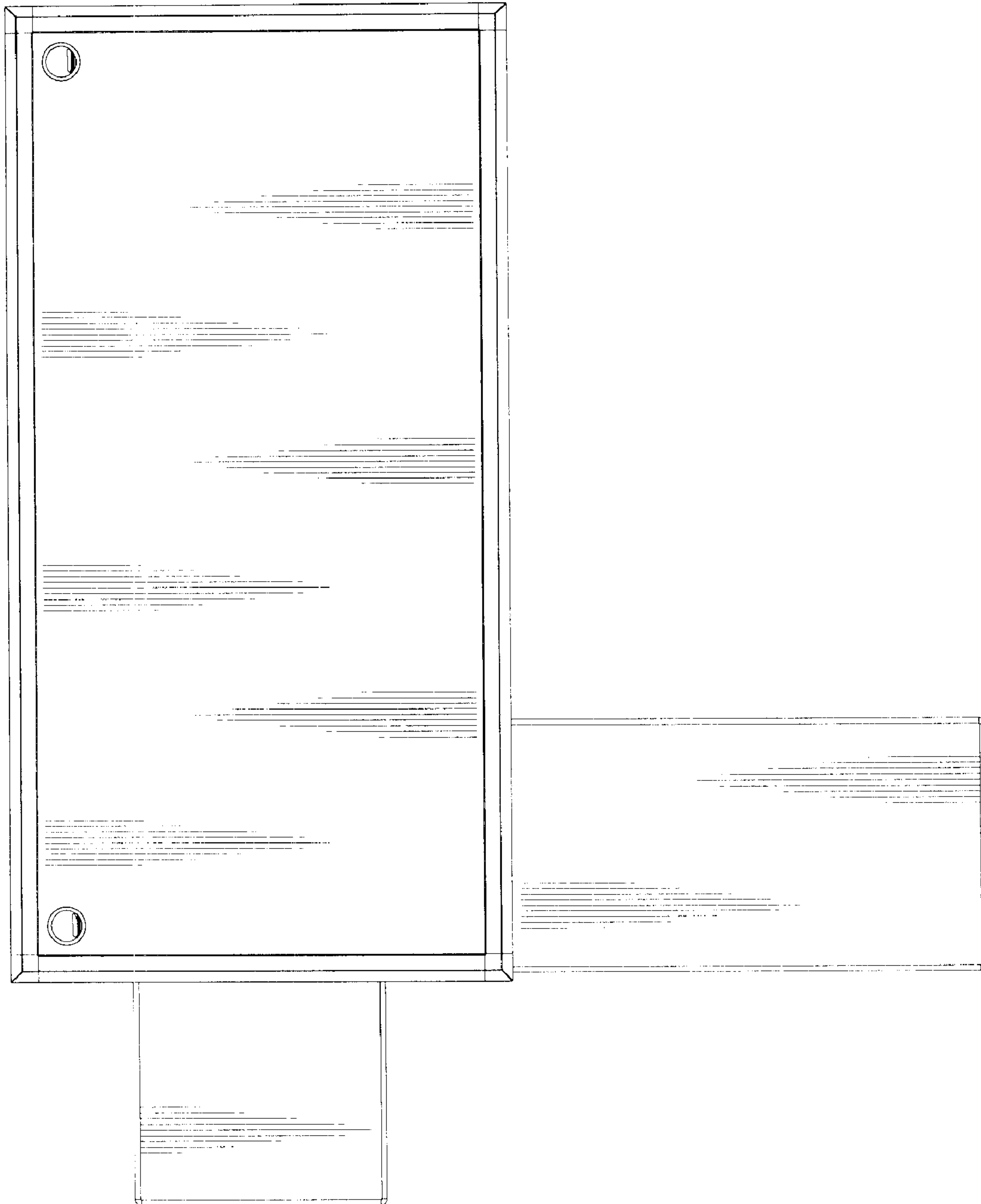


Fig. 6

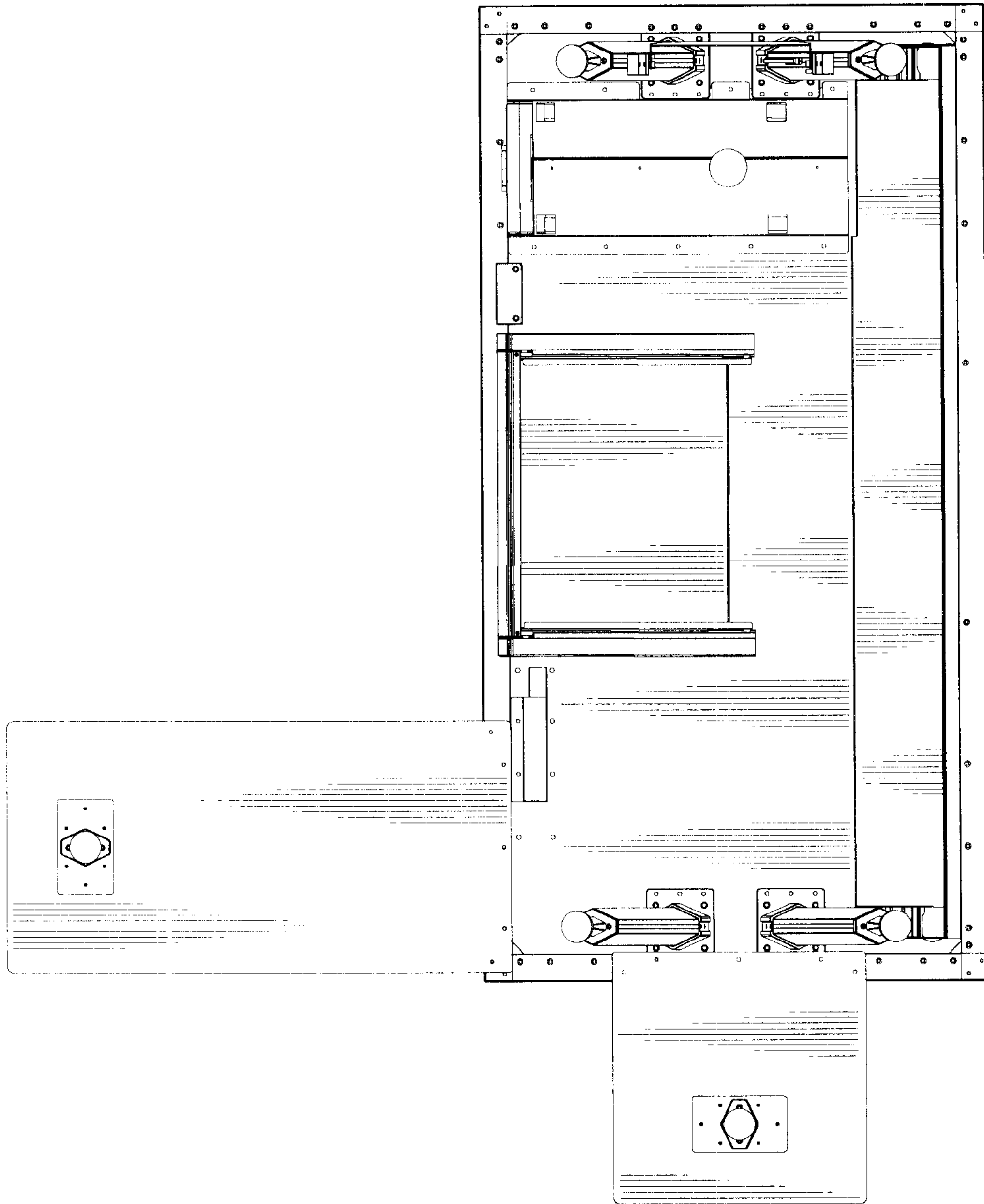


Fig. 7