



US00D526802S

(12) **United States Design Patent**  
**Leib**

(10) **Patent No.:** **US D526,802 S**

(45) **Date of Patent:** **\*\* Aug. 22, 2006**

(54) **SEATING**

(76) **Inventor:** **Roger K. Leib**, 1072 S. Crescent Heights Blvd., Los Angeles, CA (US) 90035

(\*\*) **Term:** **14 Years**

(21) **Appl. No.:** **29/210,010**

(22) **Filed:** **Jul. 22, 2004**

(51) **LOC (8) Cl.** ..... **06-01**

(52) **U.S. Cl.** ..... **D6/381**

(58) **Field of Classification Search** ..... D6/334-337, D6/349, 369, 381, 382, 384, 390, 391, 374, D6/500-502; 297/232-233, 240, 242, 244-245, 297/445.1, 446.1, 451.9, 452.11, 452.12; 5/12.1

See application file for complete search history.

(56) **References Cited**

**U.S. PATENT DOCUMENTS**

3,124,390	A	*	3/1964	Eames et al.	.....	297/452.19
3,887,230	A	*	6/1975	Groning et al.	.....	297/232
4,234,227	A	*	11/1980	Faust	.....	297/440.18
D282,800	S	*	3/1986	Sorensen	.....	D6/500
D330,119	S	*	10/1992	Armgaradt	.....	D6/372
D340,362	S	*	10/1993	Kiel	.....	D6/368
D340,812	S	*	11/1993	Estomin et al.	.....	D6/334
D349,609	S	*	8/1994	Aronowitz et al.	.....	D6/381
5,431,479	A	*	7/1995	Leib	.....	297/232
D396,967	S	*	8/1998	Yamazaki	.....	D6/381
6,095,603	A	*	8/2000	Hock	.....	297/232

D447,354	S	*	9/2001	Bluberg	.....	D6/374
D493,293	S	*	7/2004	Vira	.....	D6/349
D510,204	S	*	10/2005	Leib	.....	D6/374

**OTHER PUBLICATIONS**

NeoCon 2000 seating, exhibited at NeoCon Show, Chicago, ILL. Jun. 6, 2003.

\* cited by examiner

*Primary Examiner*—Sandra S. Snapp

(74) *Attorney, Agent, or Firm*—Jeffrey G. Sheldon; Sheldon & Mak PC

(57) **CLAIM**

The ornamental design for seating, as shown and described.

**DESCRIPTION**

FIG. 1 is a perspective view of seating according to the present invention;

FIG. 2 is a rear elevation view of the seating of FIG. 1;

FIG. 3 is a side elevation of the seating of FIG. 1, taken on the right side of the seating,;

FIG. 4 is a top plan view of the seating of FIG. 1;

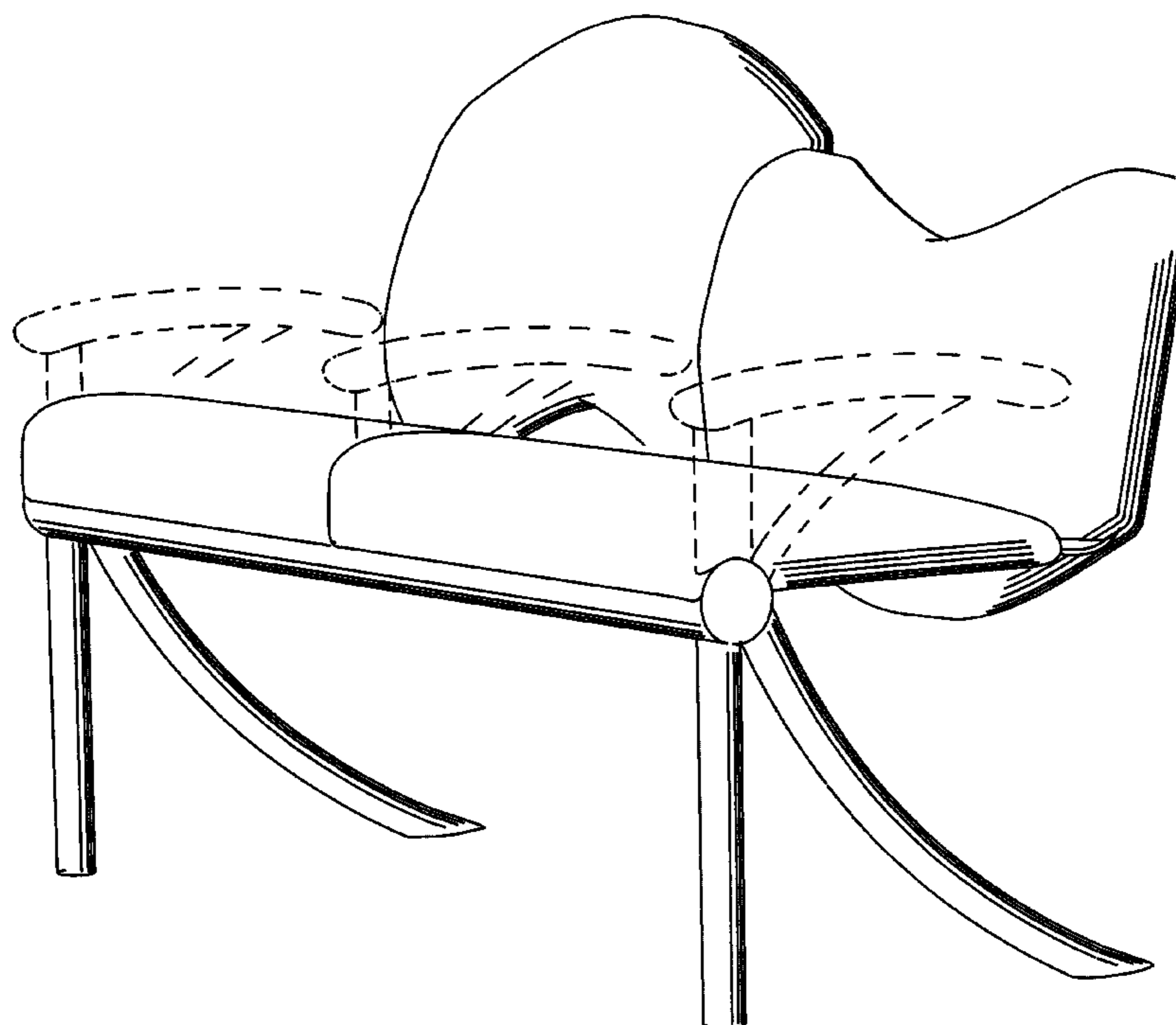
FIG. 5 is a front elevation view of the seating of FIG. 1;

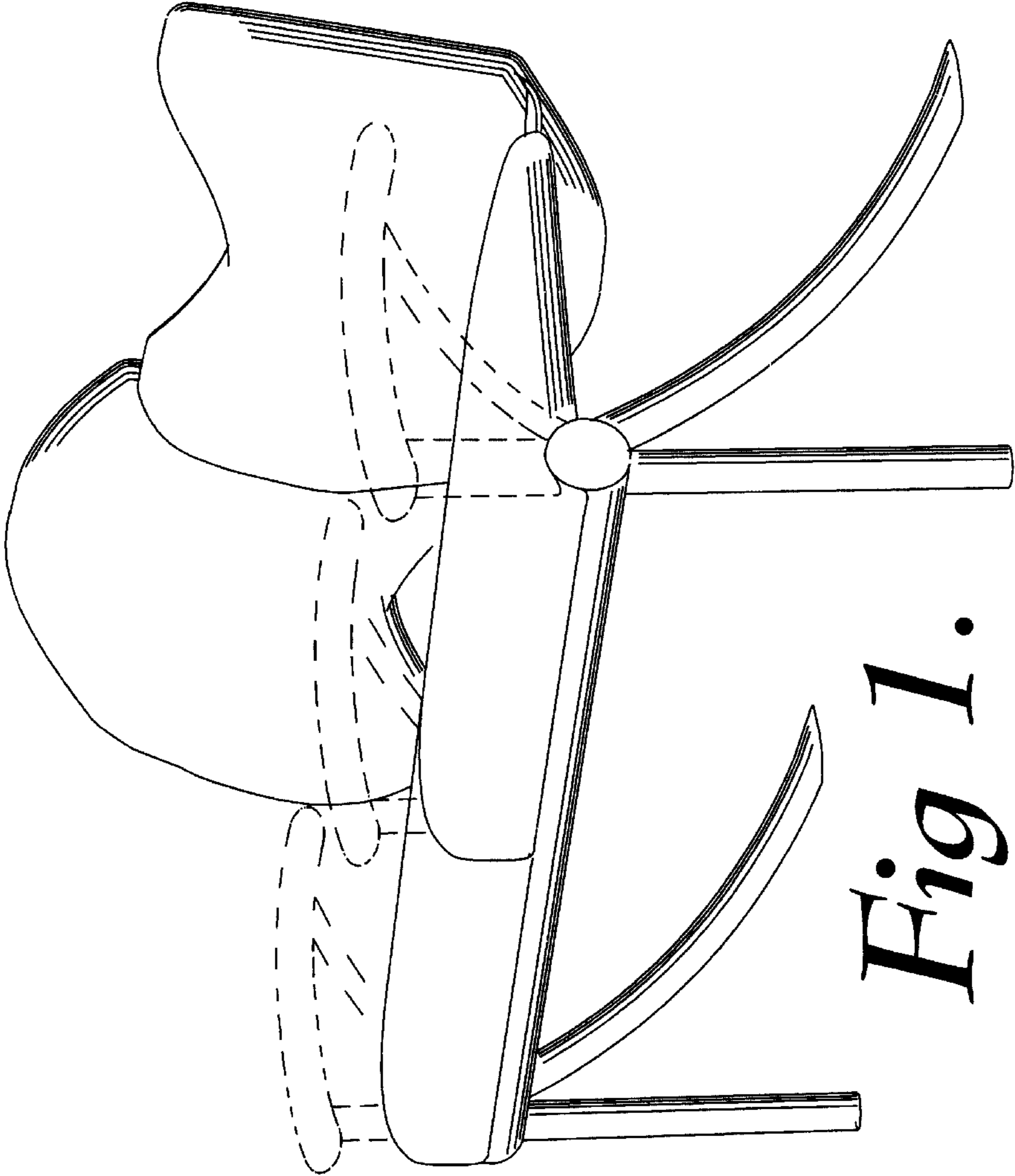
FIG. 6 is a bottom plan view of the seating of FIG. 1; and,

FIG. 7 is a side elevation of the seating of FIG. 1, taken on the left side of the seating.

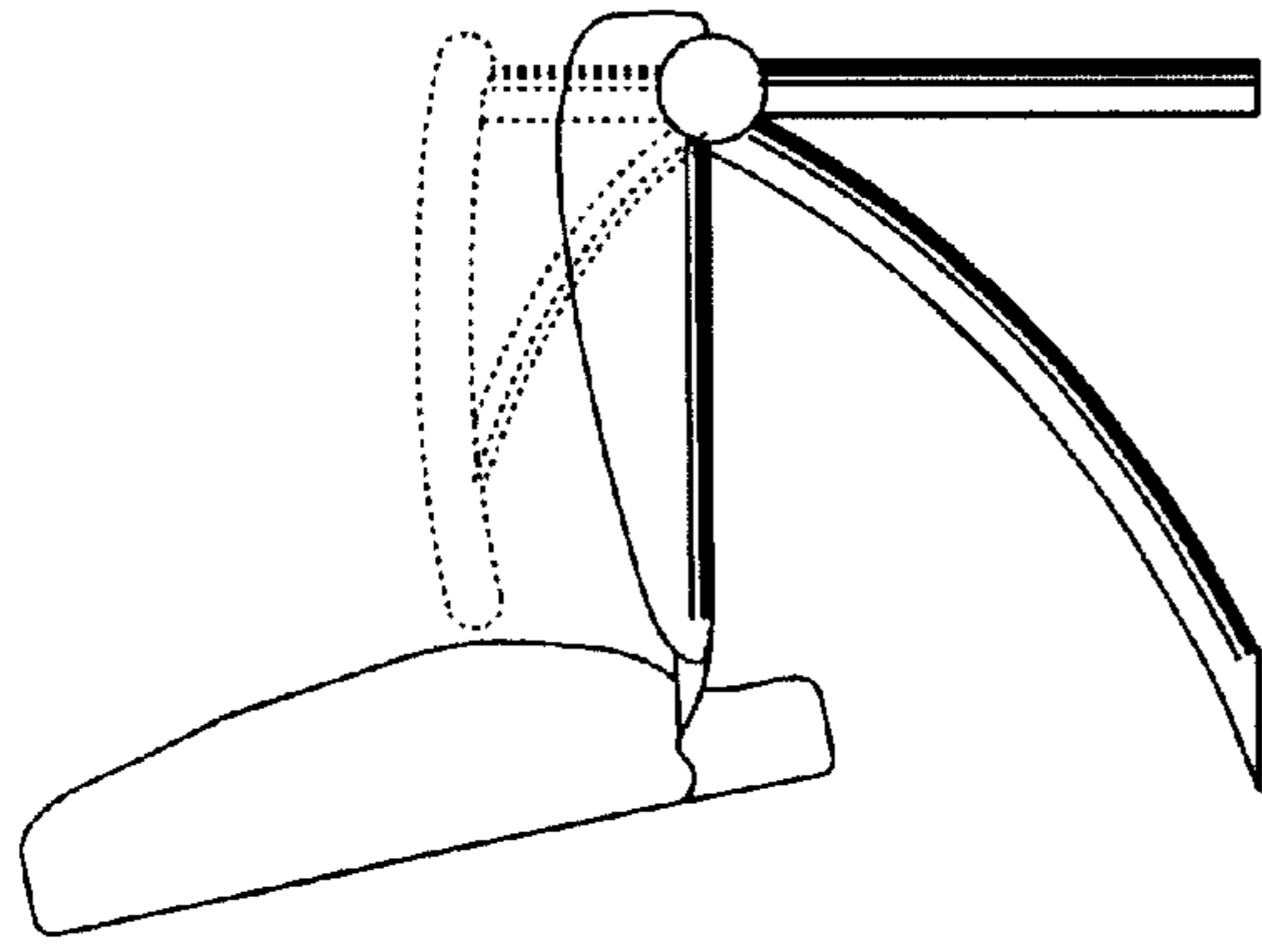
Arm rests are shown as broken lines, and are present only for illustrative purposes and form no part of the claimed design of the invention.

**1 Claim, 3 Drawing Sheets**

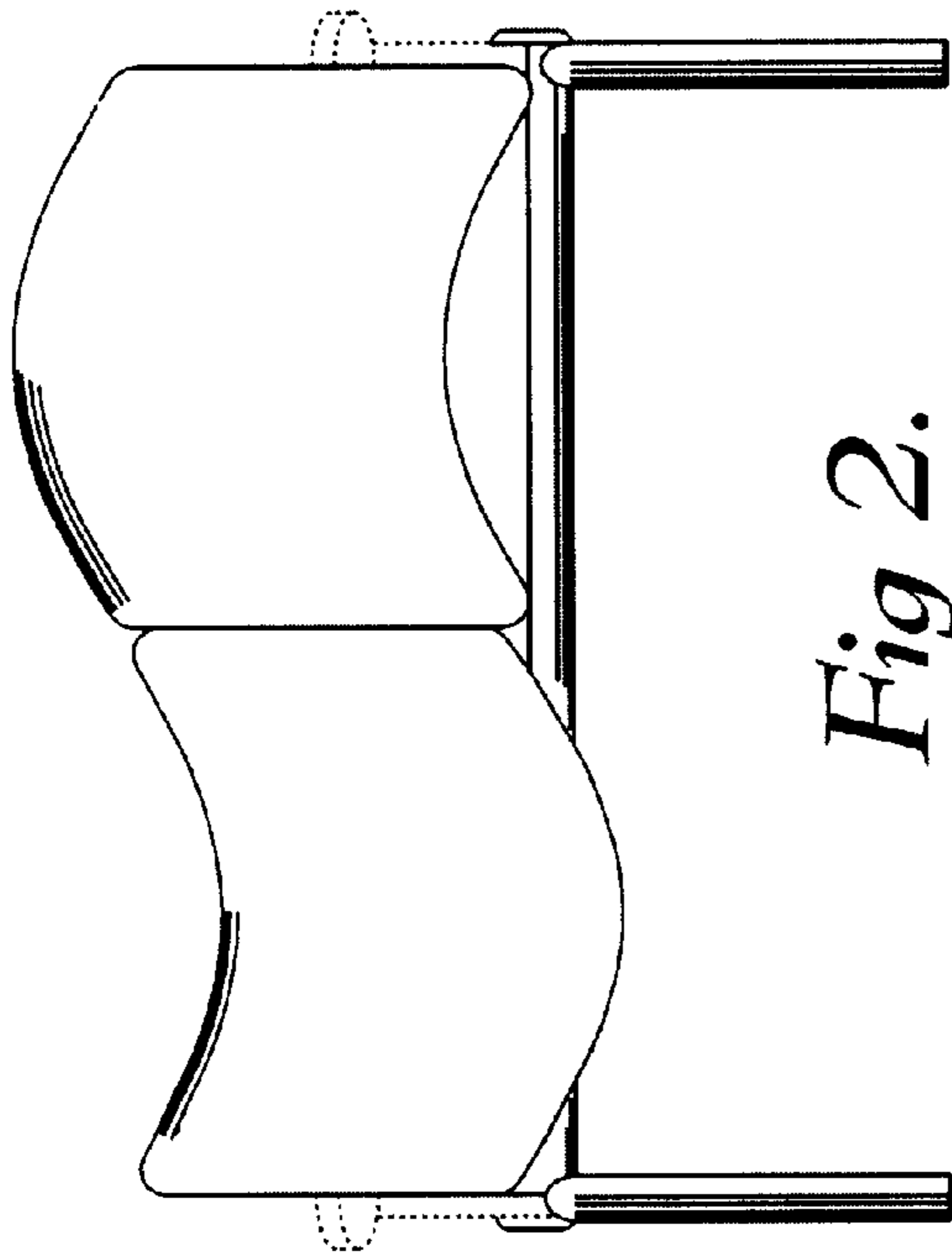




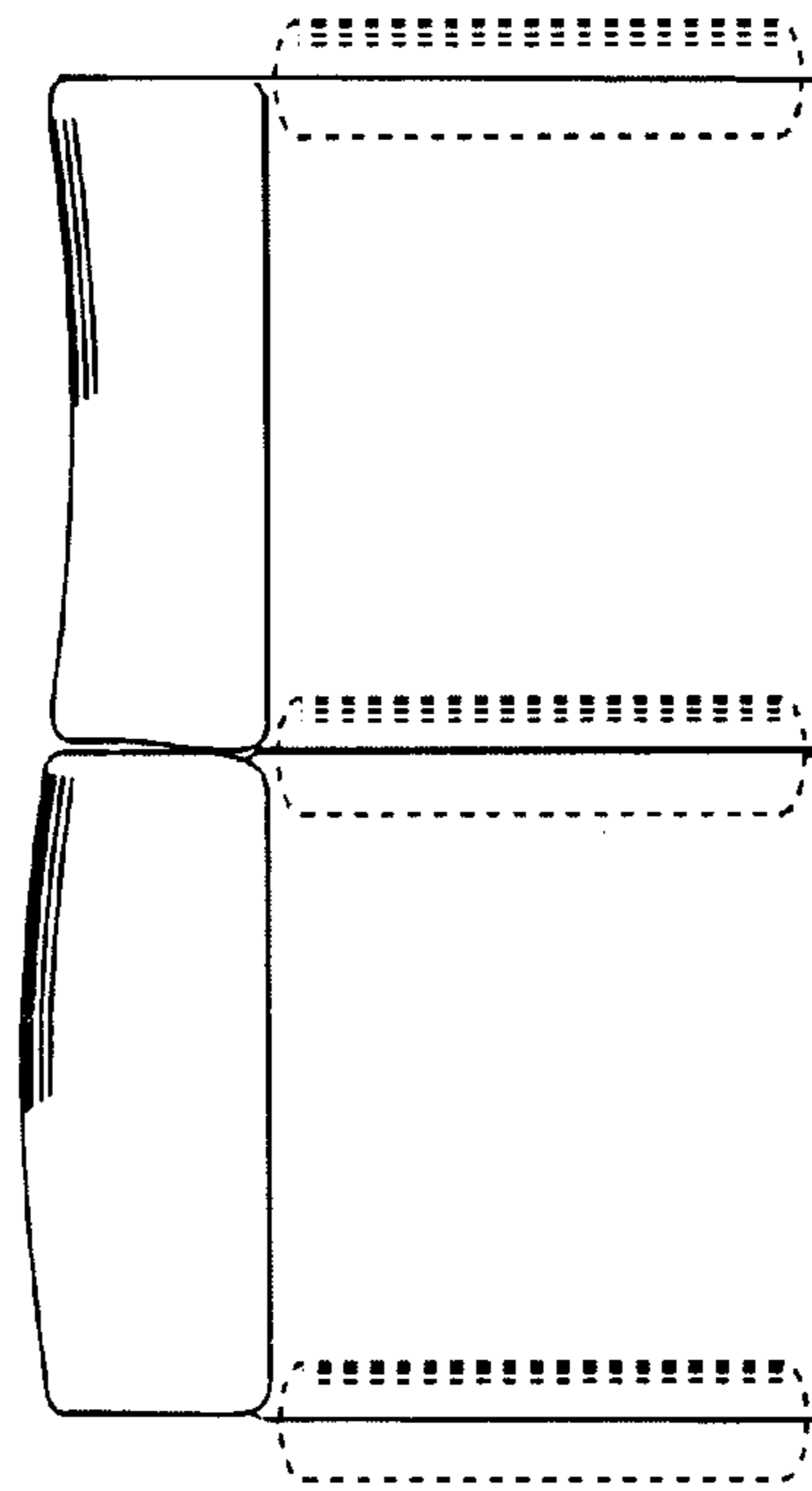
*Fig 1.*



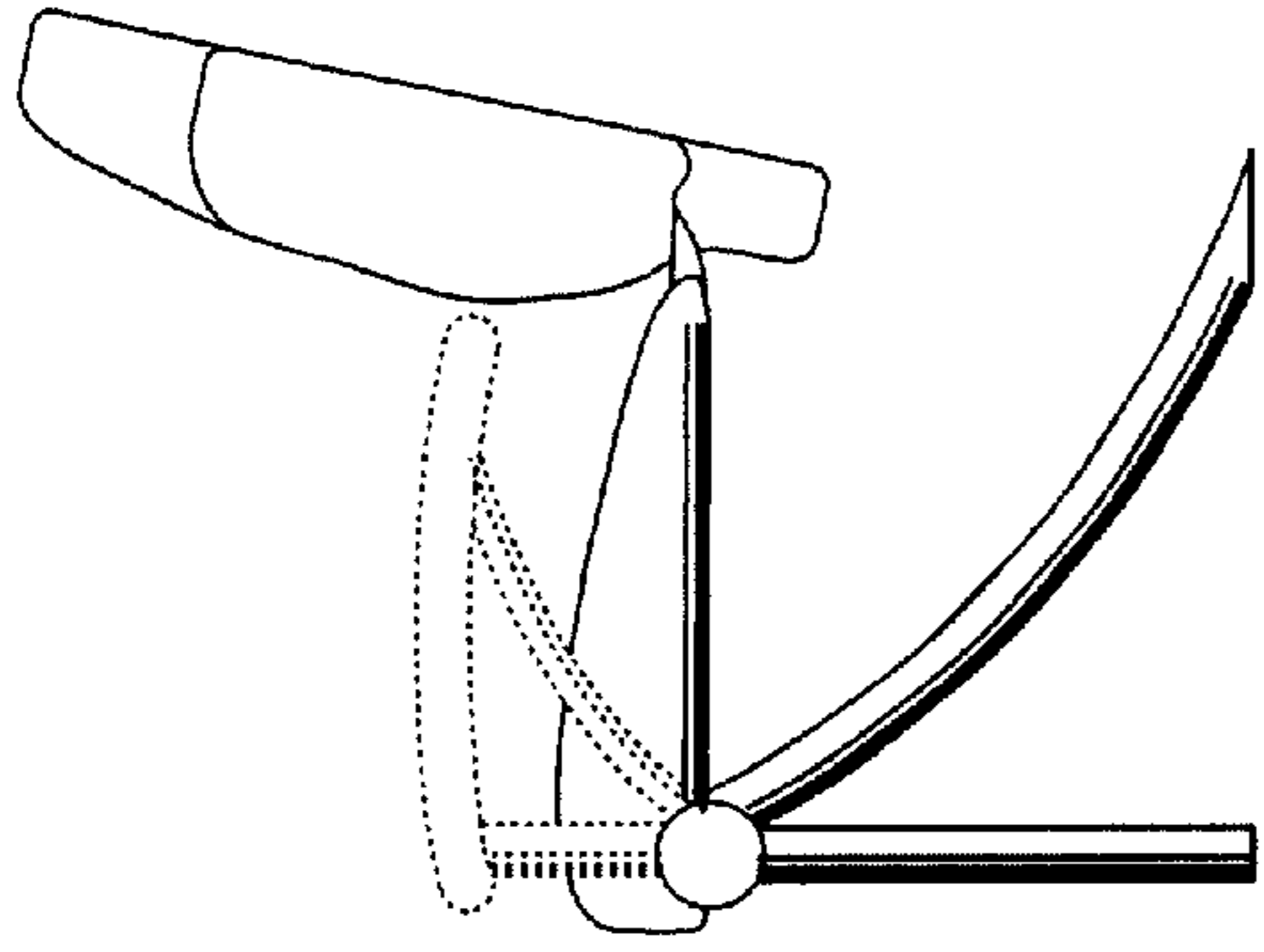
*Fig 3.*



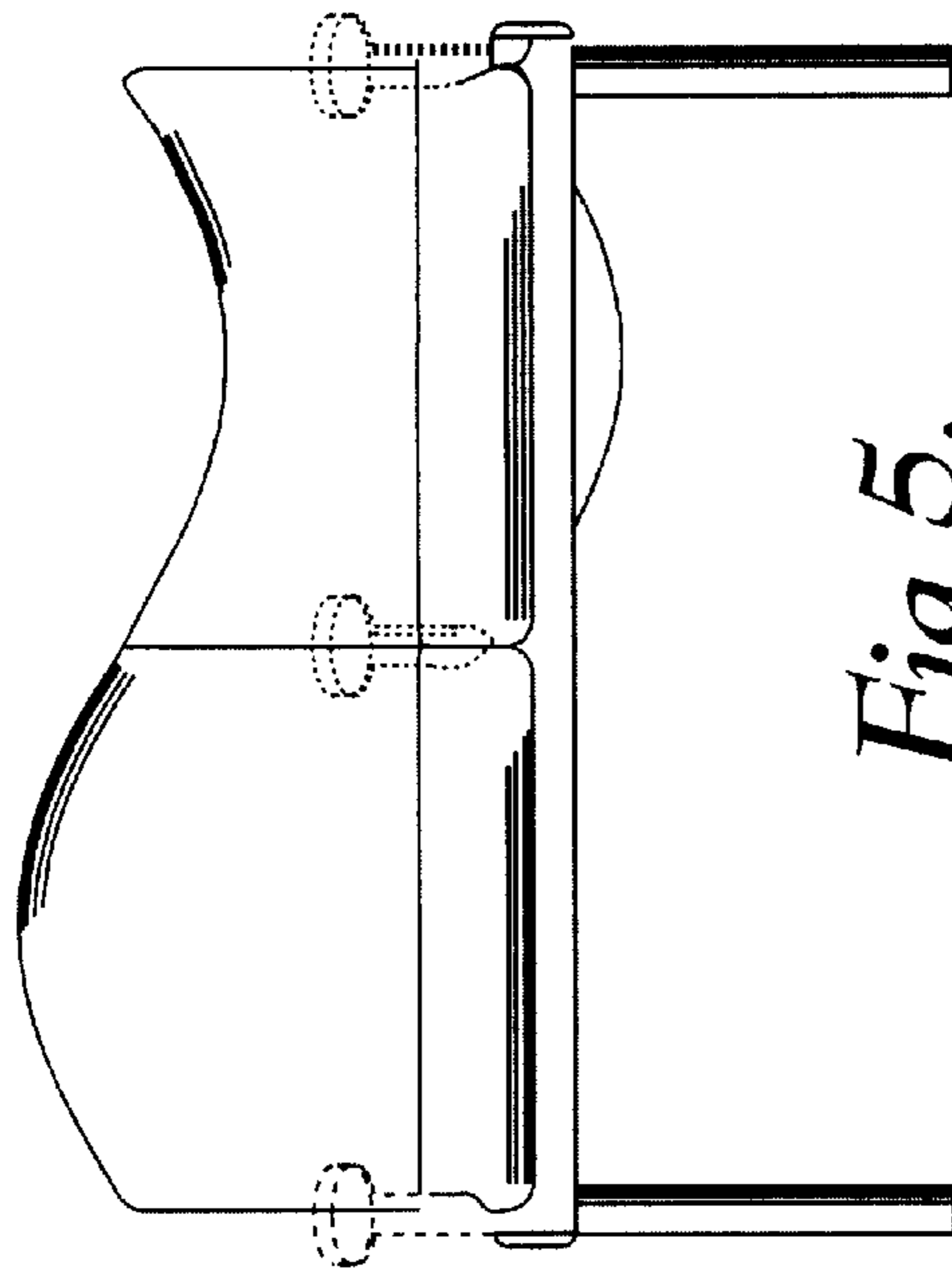
*Fig 2.*



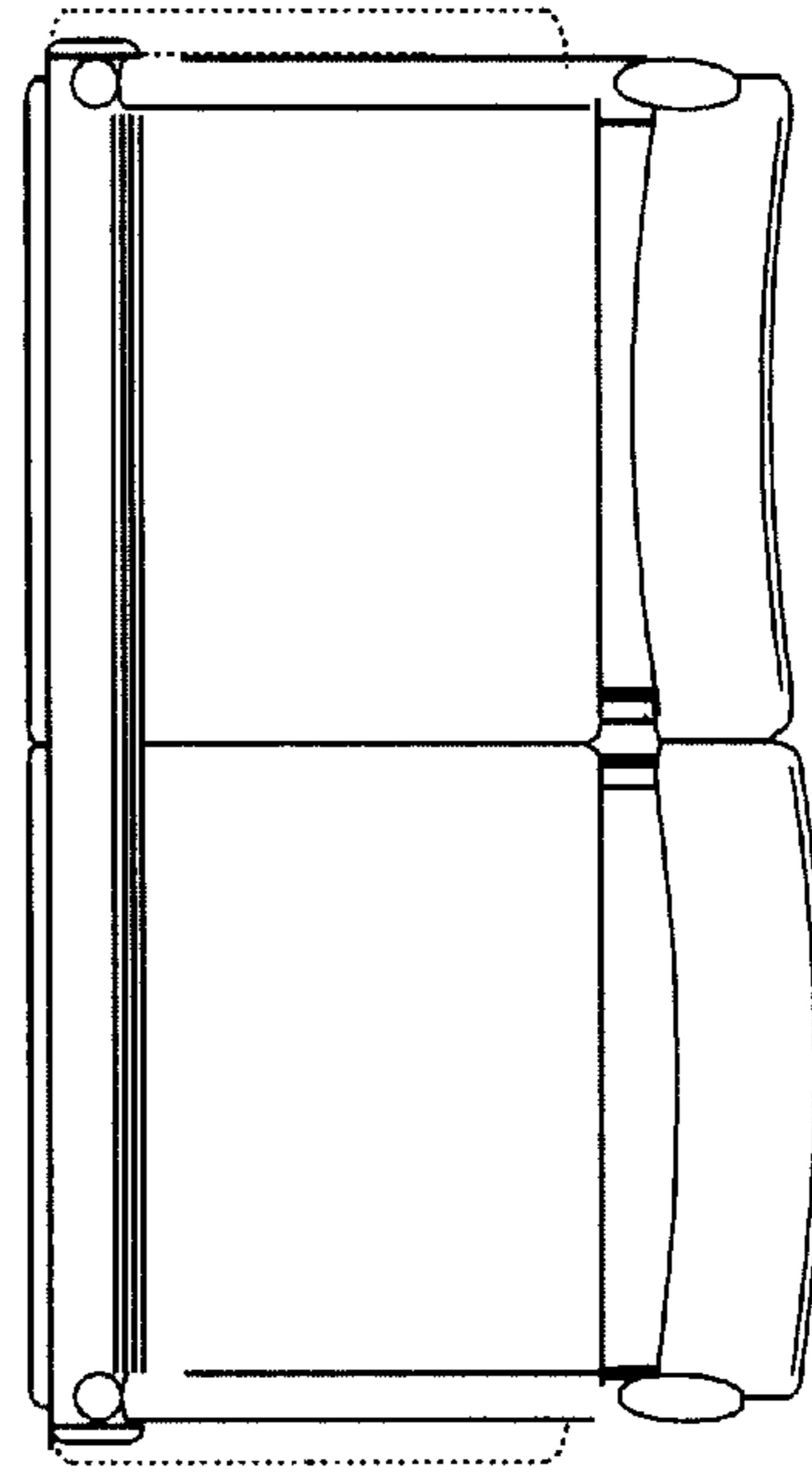
*Fig 4.*



*Fig 7.*



*Fig 5.*



*Fig 6.*