



US00D526784S

(12) **United States Design Patent**
Proot

(10) **Patent No.:** **US D526,784 S**

(45) **Date of Patent:** **** Aug. 22, 2006**

(54) **FABRIC LUGGAGE HANDLE ASSEMBLY**

(74) *Attorney, Agent, or Firm*—Gregory W. O'Connor

(75) Inventor: **Bart Proot**, Bruges (BE)

(57) **CLAIM**

(73) Assignee: **Samsonite Corporation**, Denver, CO (US)

The ornamental design for a fabric luggage handle assembly, as shown and described.

(**) Term: **14 Years**

DESCRIPTION

(21) Appl. No.: **29/171,468**

FIG. 1 is a front perspective view showing the fabric luggage handle assembly embodying my new design.

(22) Filed: **Nov. 21, 2002**

FIG. 2 is a top view of the fabric luggage handle assembly shown in FIG. 1.

(51) **LOC (8) Cl.** **03-01**

FIG. 3 is a front view thereof.

(52) **U.S. Cl.** **D3/318**

FIG. 4 is a rear view thereof.

(58) **Field of Classification Search** D3/318,
D3/301, 276, 282–289, 279; D8/315; 190/18 A,
190/100, 110, 112–115

FIG. 5 is a right side view thereof.

FIG. 6 is a left side view thereof.

See application file for complete search history.

FIG. 7 is a front perspective view showing the second embodiment of fabric luggage handle assembly embodying my new design.

FIG. 8 is a top view of the fabric luggage handle assembly shown in FIG. 7.

(56) **References Cited**

U.S. PATENT DOCUMENTS

D362,548 S	*	9/1995	King et al.	D3/301
D460,618 S	*	7/2002	Szyf	D3/279
D474,597 S	*	5/2003	Nykoluk	D3/279

FIG. 9 is a front view thereof.

FIG. 10 is a rear view thereof; and,

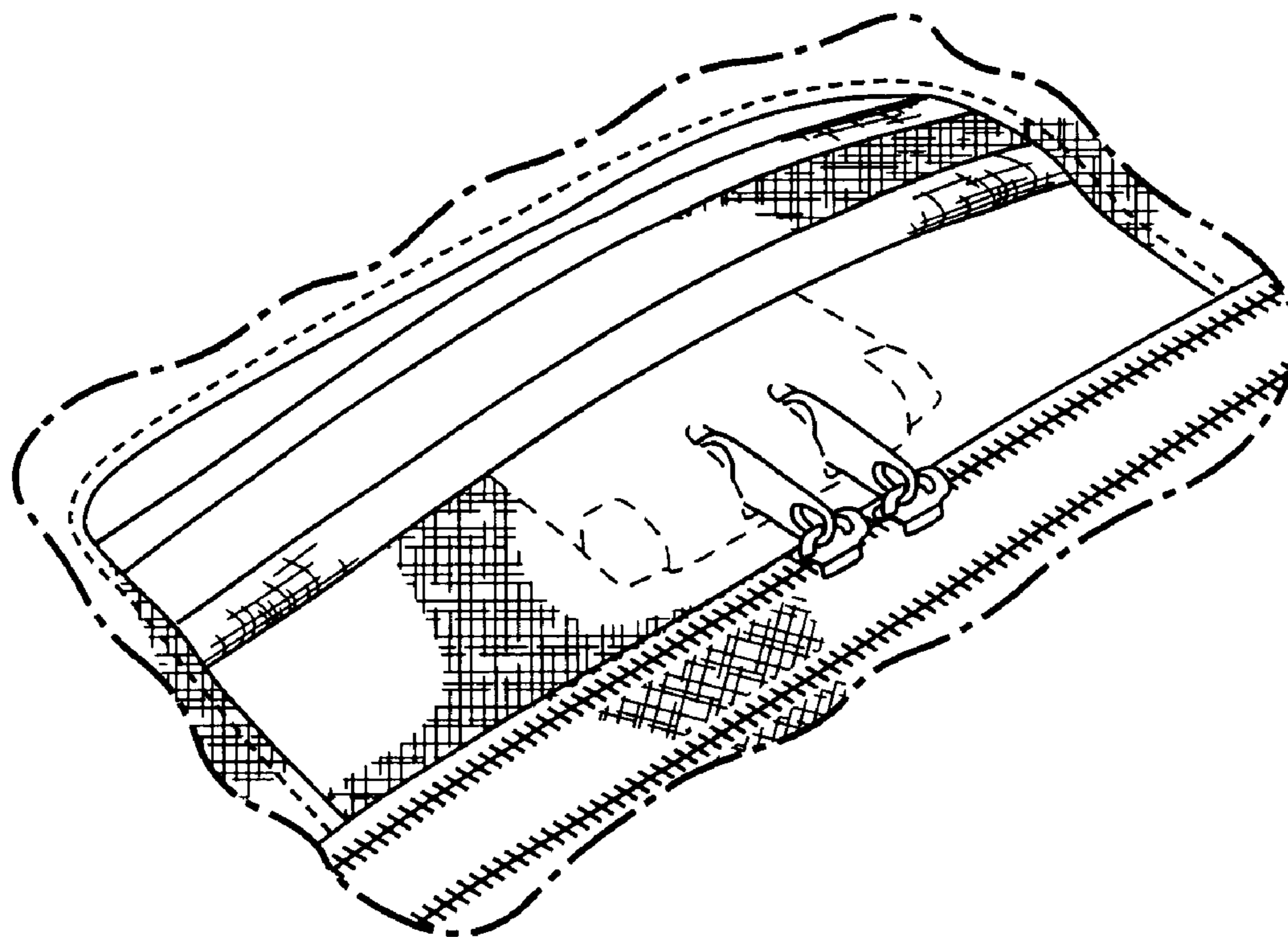
FIG. 11 is a left side view thereof.

The unshown portions of the fabric luggage handle assembly do not form any part of the claimed design.

* cited by examiner

Primary Examiner—Catherine R. Oliver

1 Claim, 4 Drawing Sheets



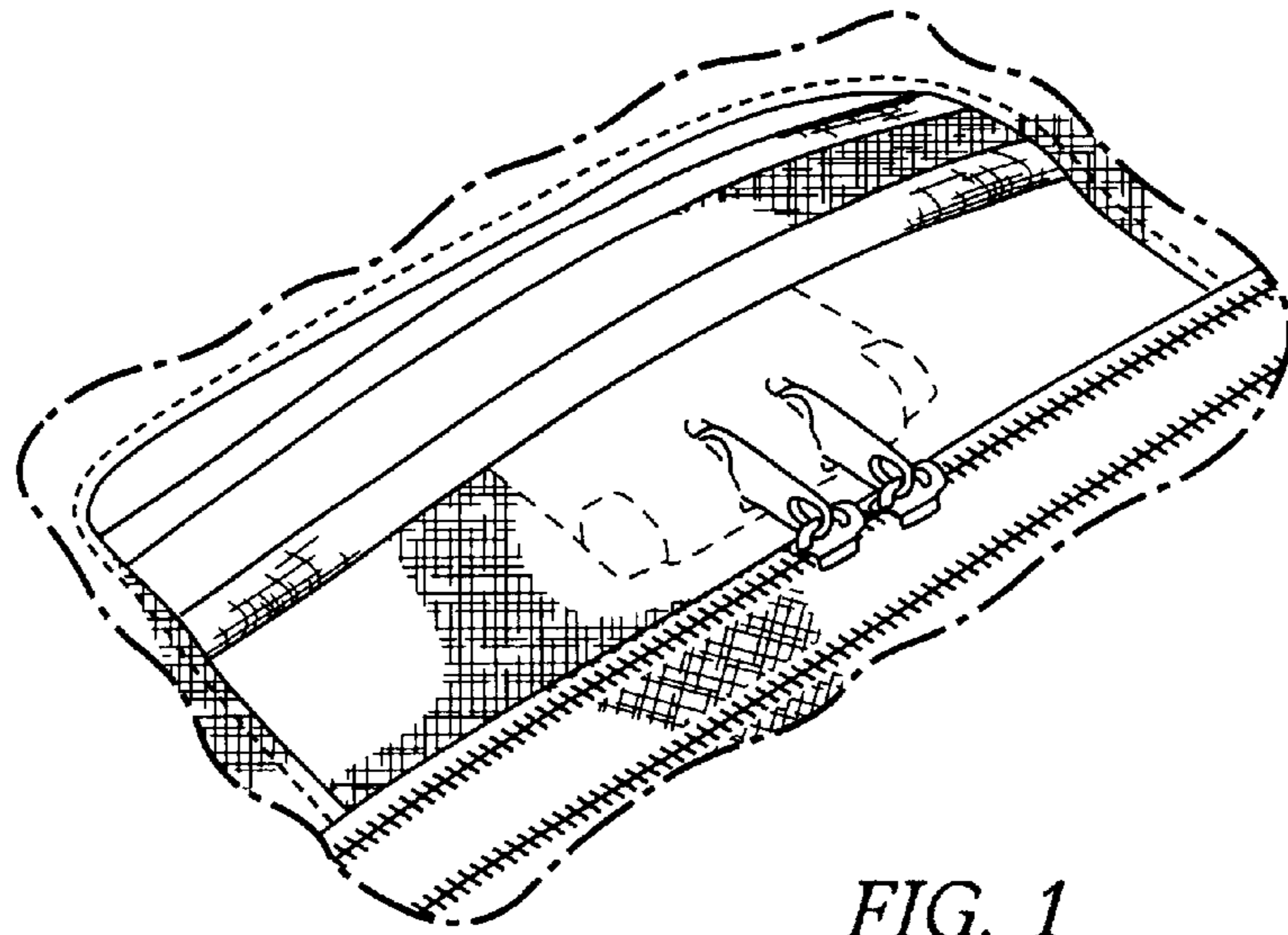


FIG. 1

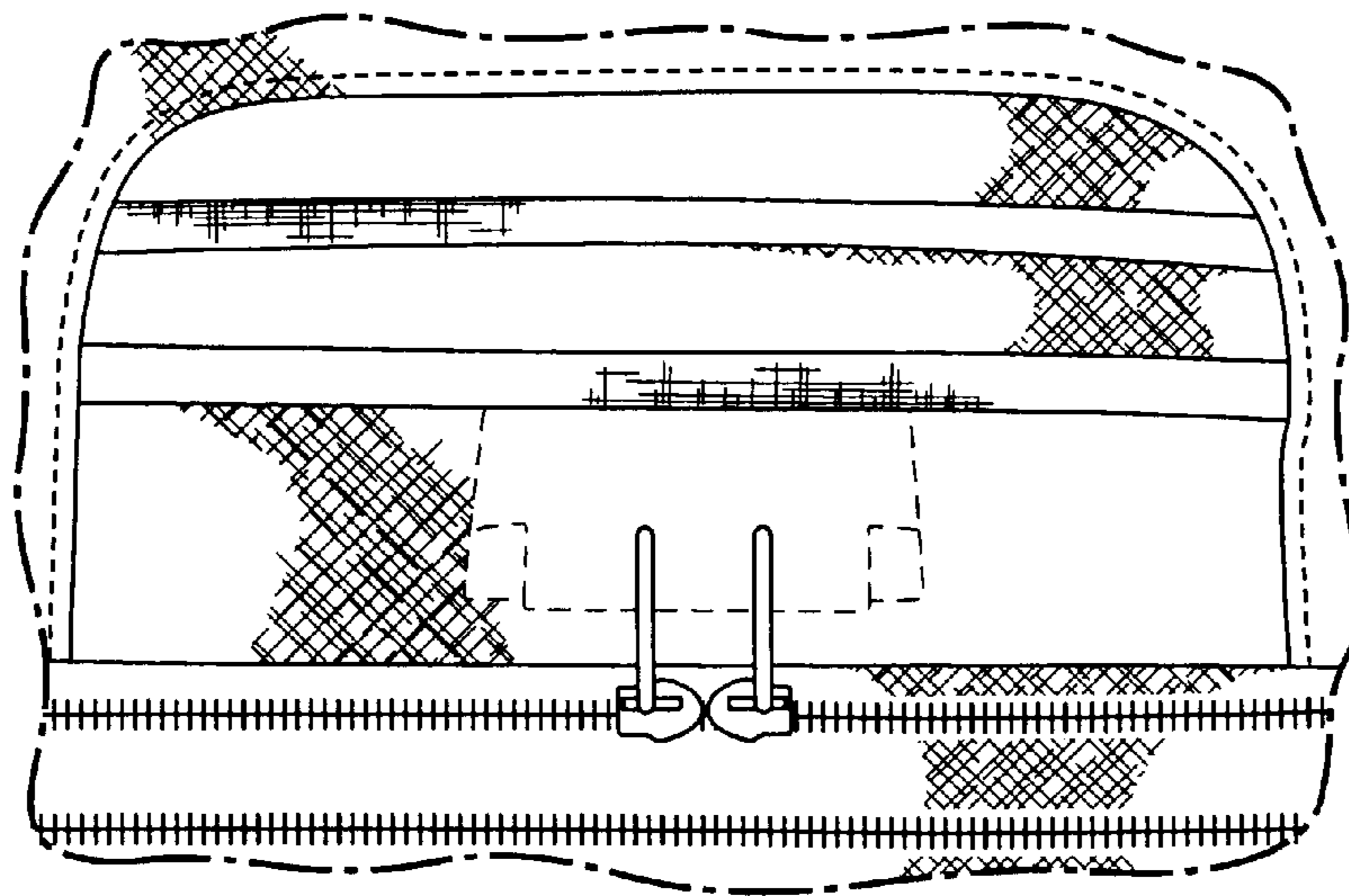


FIG. 2

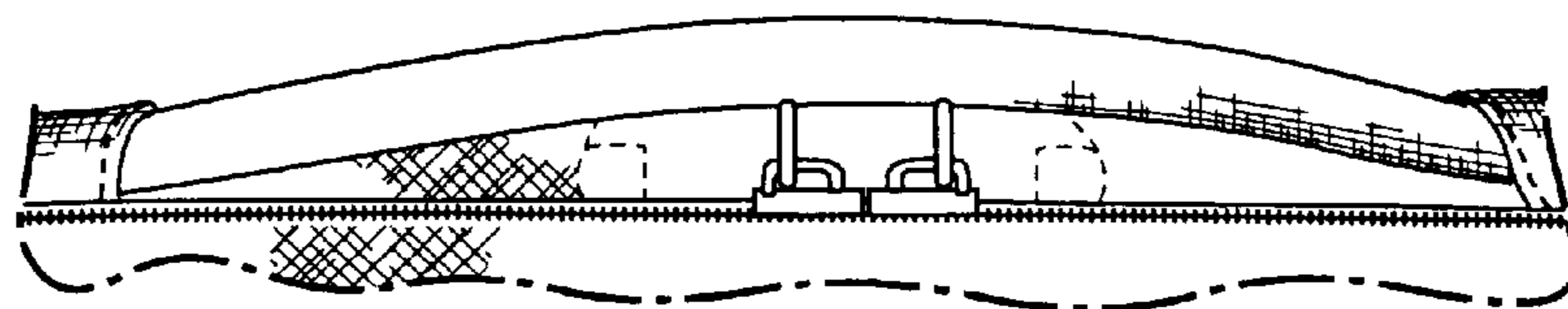


FIG. 3

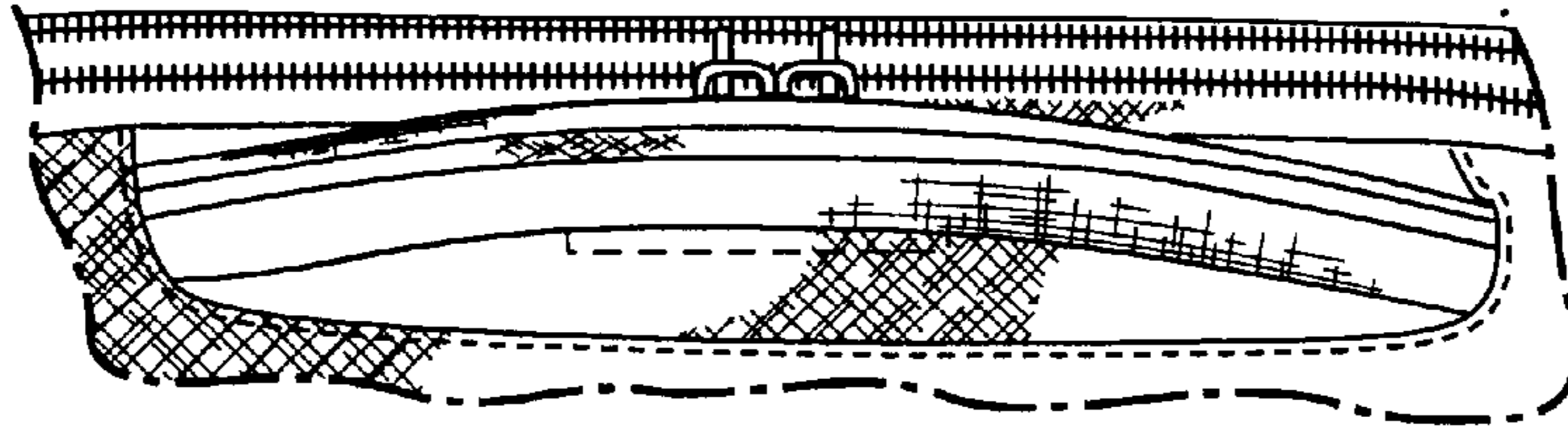


FIG. 4

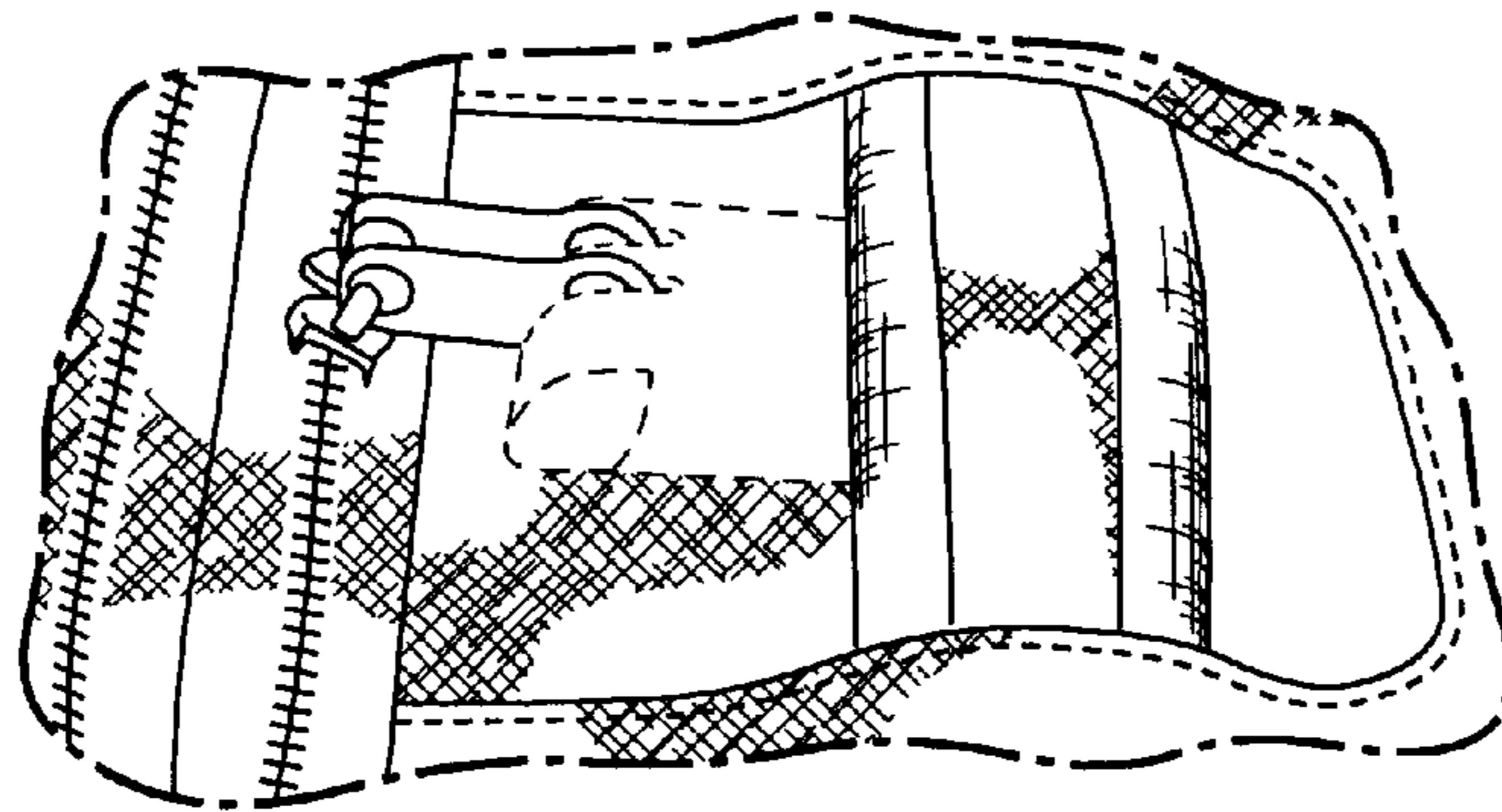


FIG. 5

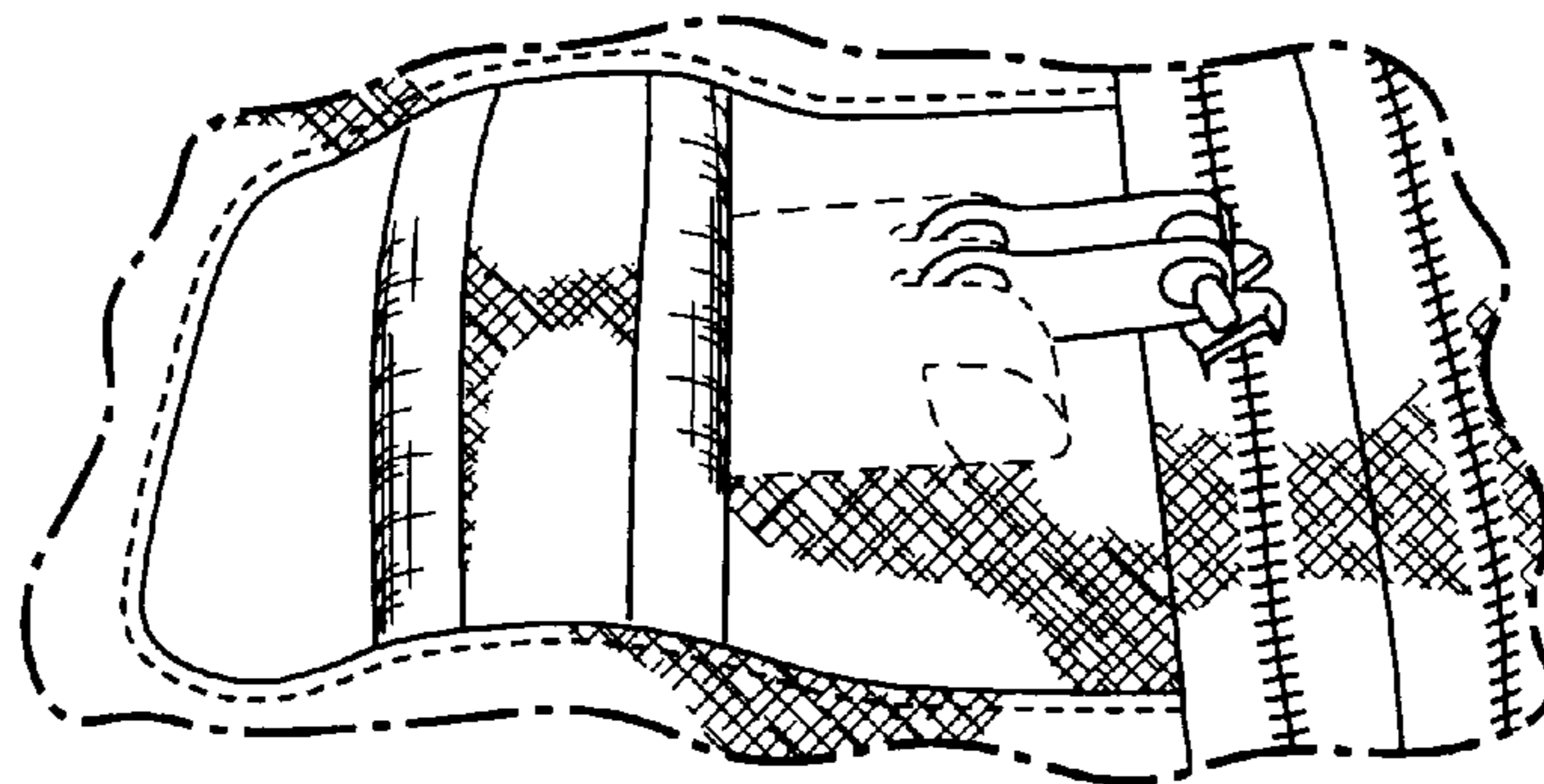


FIG. 6

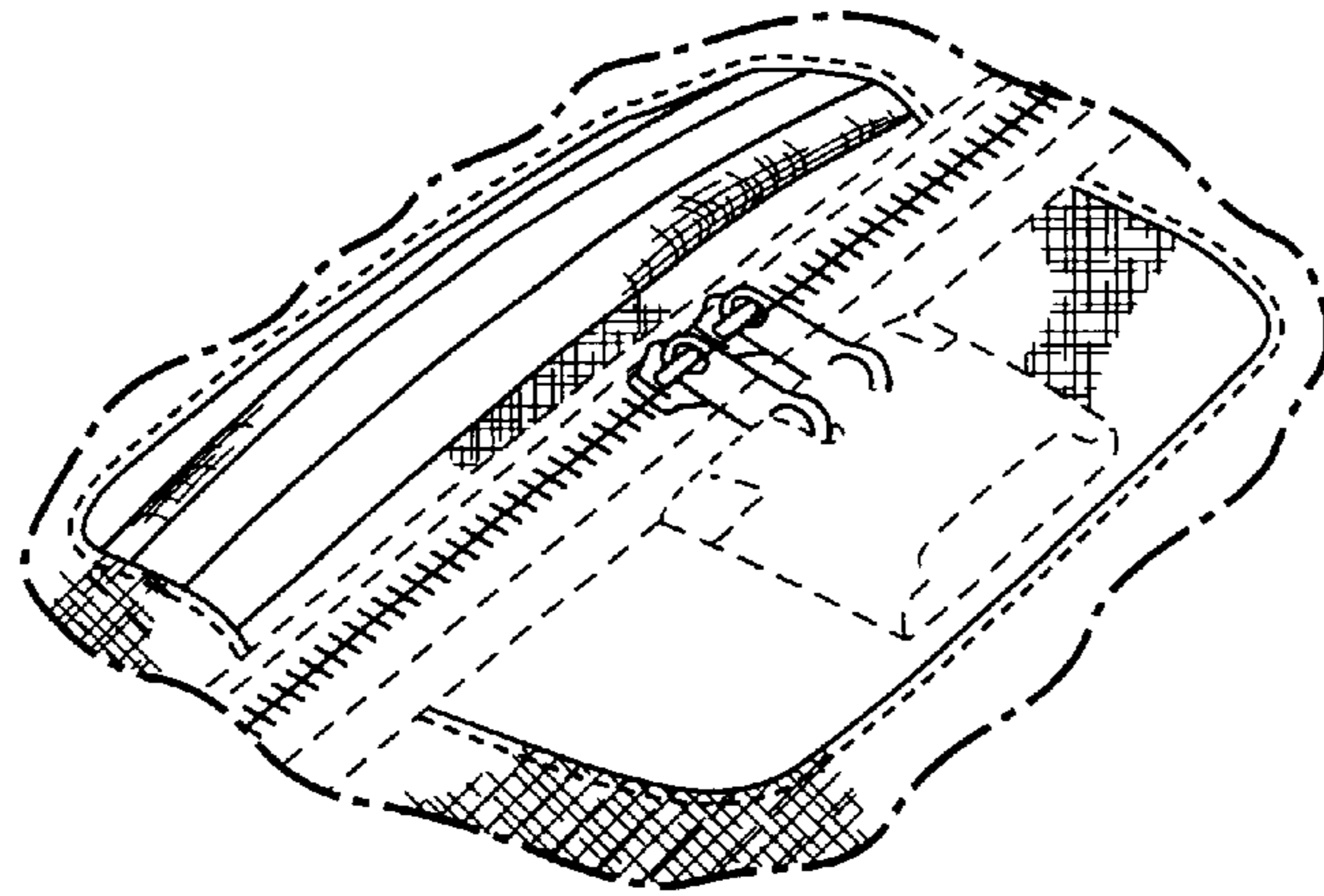


FIG. 7

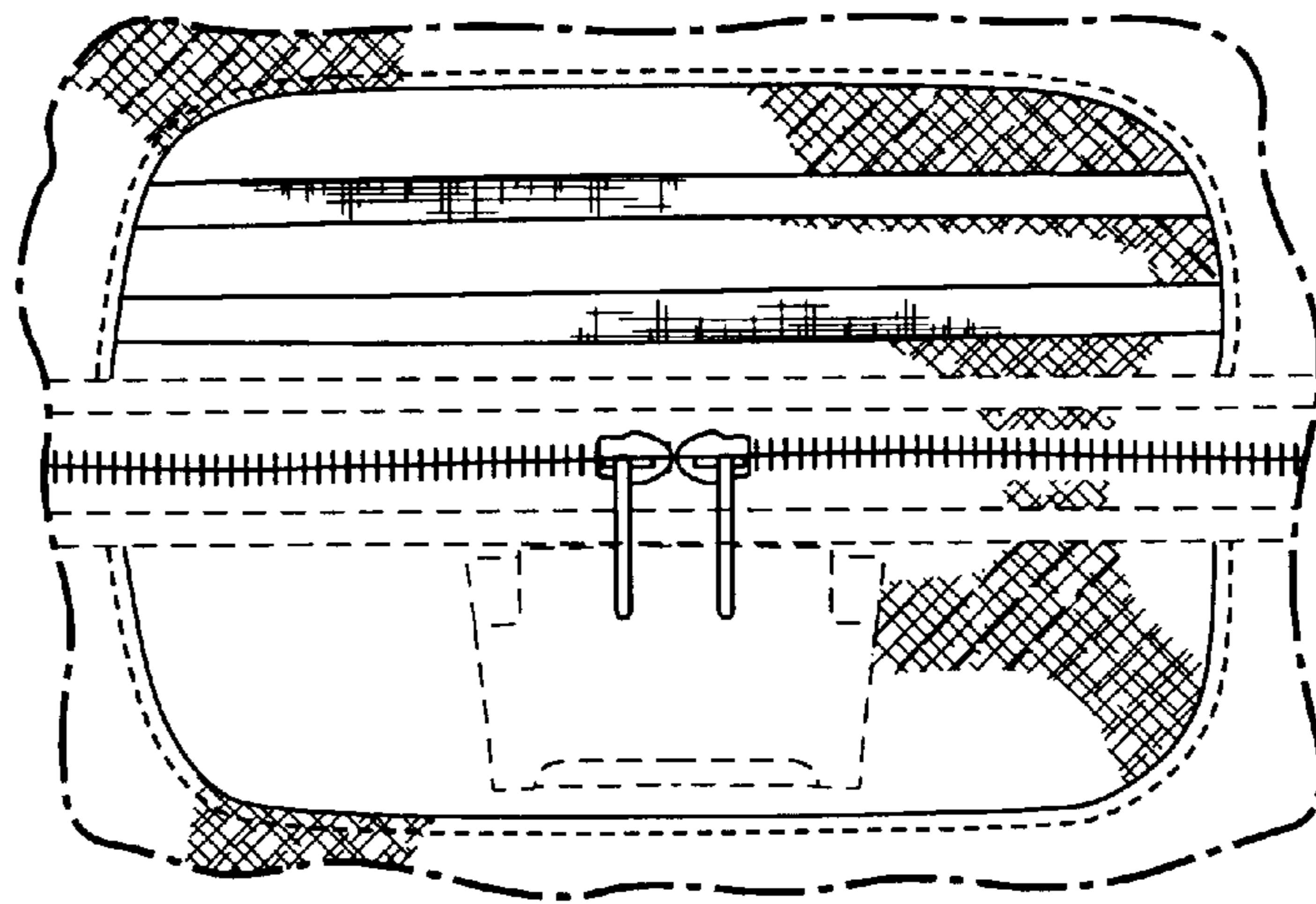


FIG. 8

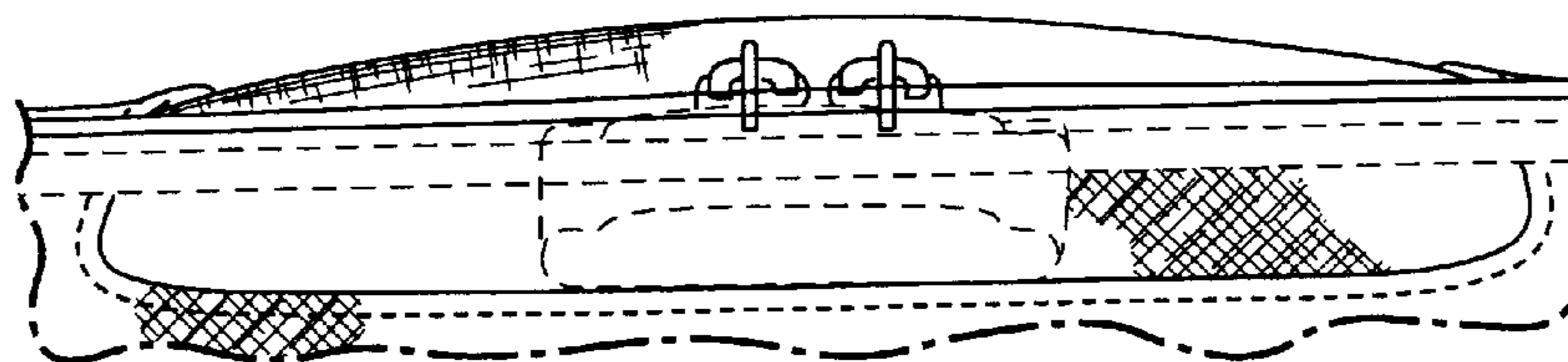


FIG. 9

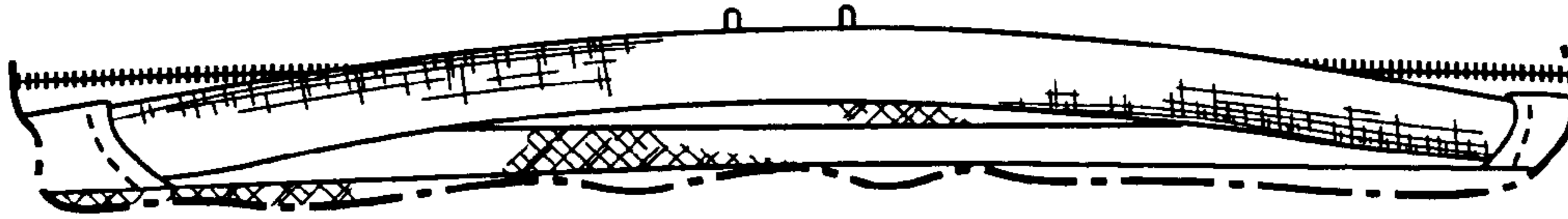


FIG. 10

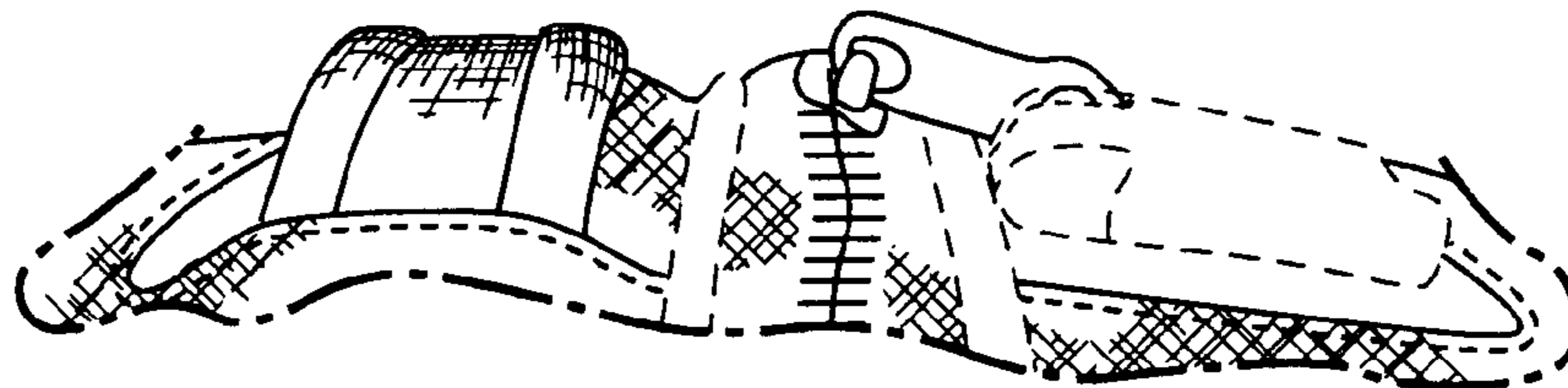


FIG. 11