



US00D526783S

(12) **United States Design Patent**
Leighton

(10) **Patent No.:** **US D526,783 S**

(45) **Date of Patent:** **** Aug. 22, 2006**

(54) **TANK COVER/CARRIER**

(75) Inventor: **Lisa Leighton**, Corona, CA (US)

(73) Assignee: **Canterbury Enterprises, Inc.**, Corona, CA (US)

(**) Term: **14 Years**

(21) Appl. No.: **29/201,933**

(22) Filed: **Mar. 23, 2004**

(51) **LOC (8) Cl.** **03-01**

(52) **U.S. Cl.** **D3/316**

(58) **Field of Classification Search** D3/321,
D3/244, 245, 246, 201, 202, 232-4, 238,
D3/240, 242-3, 247, 316, 215, 219, 224,
D3/226, 303, 900, 270; D9/434-5; 294/31.2;
D7/605-8; D23/206

See application file for complete search history.

(56) **References Cited**

U.S. PATENT DOCUMENTS

1,068,066	A	7/1913	Martin	
1,395,485	A	11/1921	Duncan	
3,766,954	A	10/1973	Gentellalli	
3,964,930	A	6/1976	Reiser	
D349,010	S	* 7/1994	Johnson	D7/619.1
5,356,046	A	10/1994	Burke	
5,423,586	A	* 6/1995	Fuller	294/149
D374,975	S	* 10/1996	Vargas et al.	D3/202
5,984,172	A	11/1999	Easterwood	
6,006,743	A	12/1999	Shimek et al.	
6,012,411	A	1/2000	Hochbrueckner	
D428,554	S	* 7/2000	Phelps	D3/316
6,102,230	A	8/2000	Gould	
6,123,187	A	9/2000	Bartels	
6,142,192	A	11/2000	Dickinson et al.	
D457,936	S	5/2002	Garofalo et al.	
6,508,282	B1	1/2003	Garofalo et al.	
D473,629	S	* 4/2003	Johnson	D23/206
D486,551	S	* 2/2004	McQuiston	D23/206
D486,945	S	* 2/2004	Brock et al.	D29/126
D492,821	S	* 7/2004	Bergeron	D29/129

* cited by examiner

Primary Examiner—Louis S. Zarfes

Assistant Examiner—Kathleen Sims

(74) *Attorney, Agent, or Firm*—Stetina Brunda Garred & Brucker

(57) **CLAIM**

The ornamental design for a tank cover/carrier, as shown and described.

DESCRIPTION

FIG. 1 is a front perspective view of the tank cover/carrier of the present invention showing my new design, with the phantom lines depicting solely environmental structure and forming no part of the claimed design;

FIG. 2 is a left side elevational view thereof;

FIG. 3 is a front elevational view thereof;

FIG. 4 is a top plan view thereof;

FIG. 5 is a bottom plan view thereof;

FIG. 6 is a right side elevational view thereof;

FIG. 7 is a rear elevational view thereof;

FIG. 8 is a front perspective view of a second embodiment of the tank cover/carrier of the present invention showing my new design, with the phantom lines depicting solely environmental structure and forming no part of the claimed design;

FIG. 9 is a right side elevational view thereof;

FIG. 10 is a front elevational view thereof;

FIG. 11 is a top plan view thereof;

FIG. 12 is a bottom plan view thereof;

FIG. 13 is a left side elevational view thereof;

FIG. 14 is a rear elevational view thereof;

FIG. 15 is a front perspective view of the third embodiment of the tank cover/carrier of the present invention showing my new design;

FIG. 16 is a right side elevational view thereof;

FIG. 17 is a front elevational view thereof;

FIG. 18 is a top plan view thereof;

FIG. 19 is a bottom plan view thereof;

FIG. 20 is a left side elevational view thereof; and,

FIG. 21 is a rear elevational view thereof.

The short broken lines shown in FIGS. 1-21 represent conventional stitching.

1 Claim, 6 Drawing Sheets

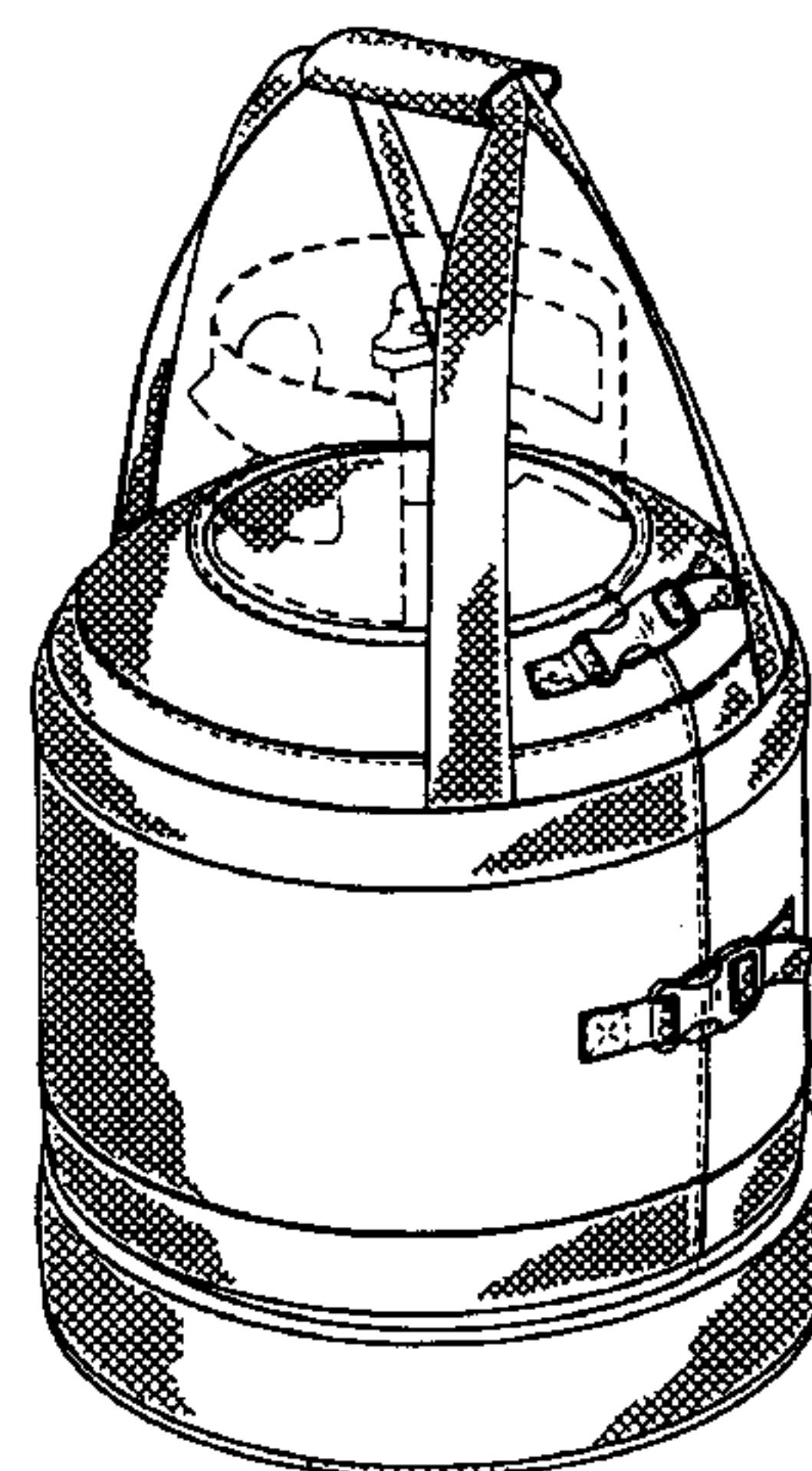
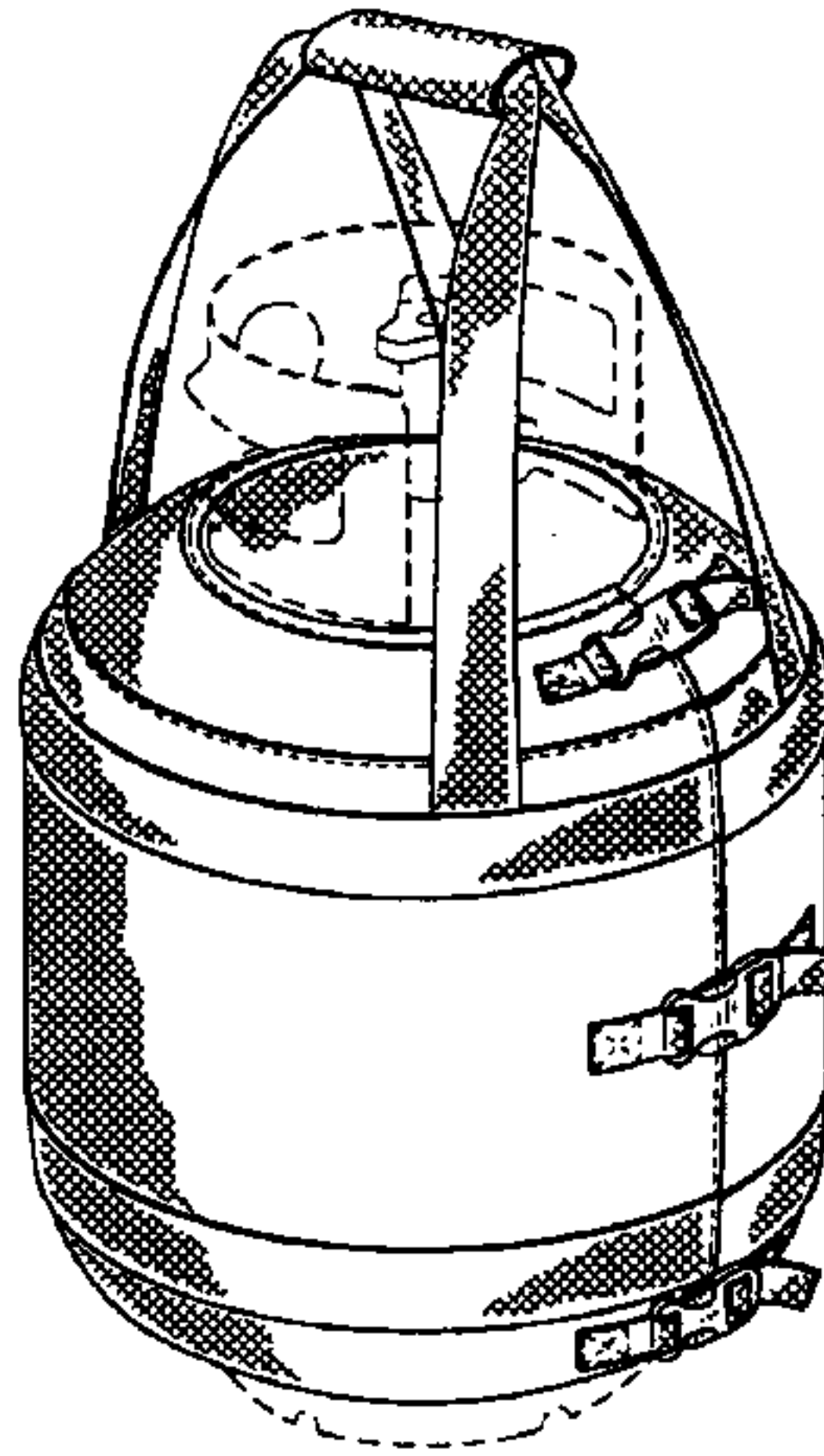
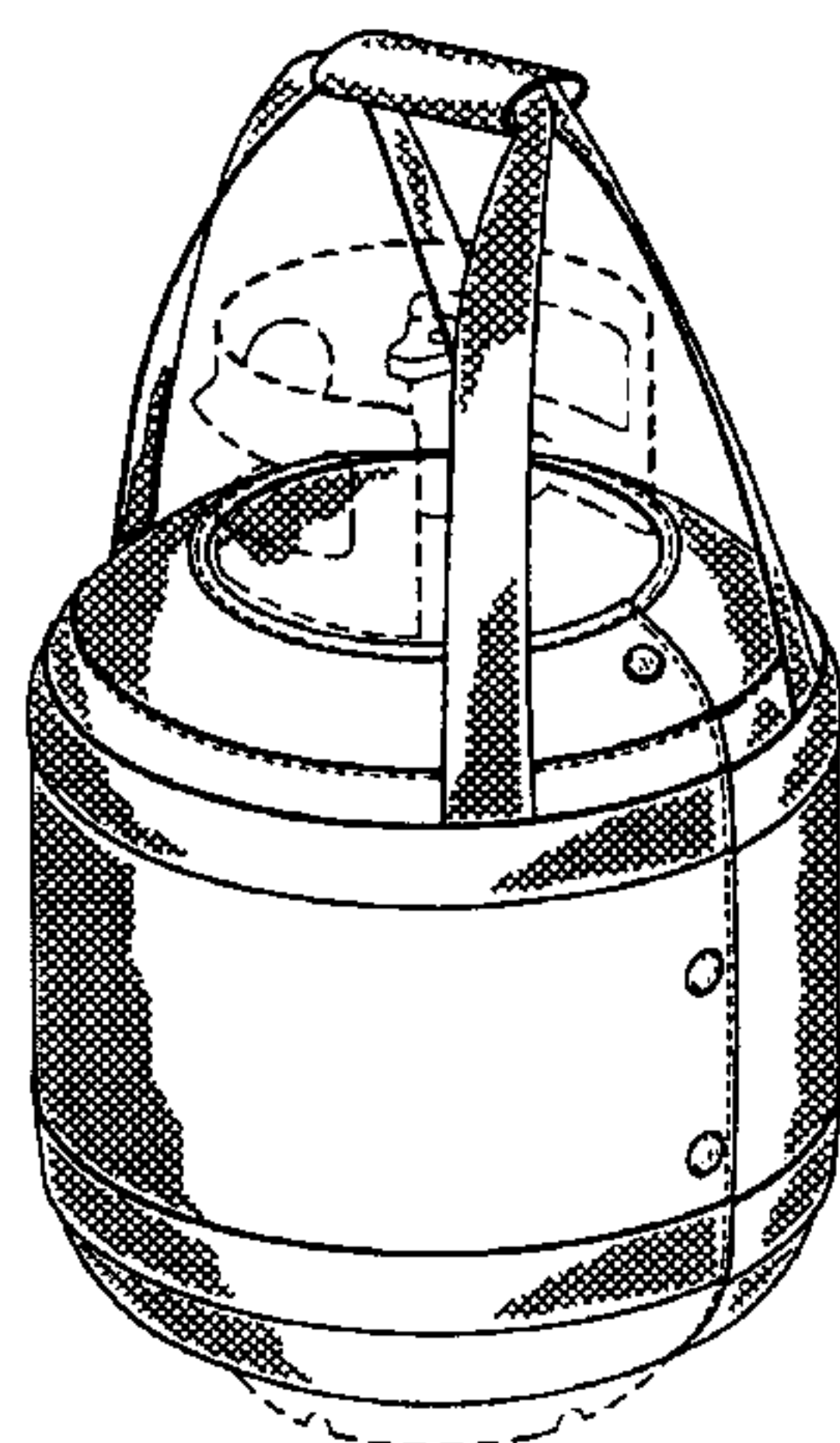


Fig. 1

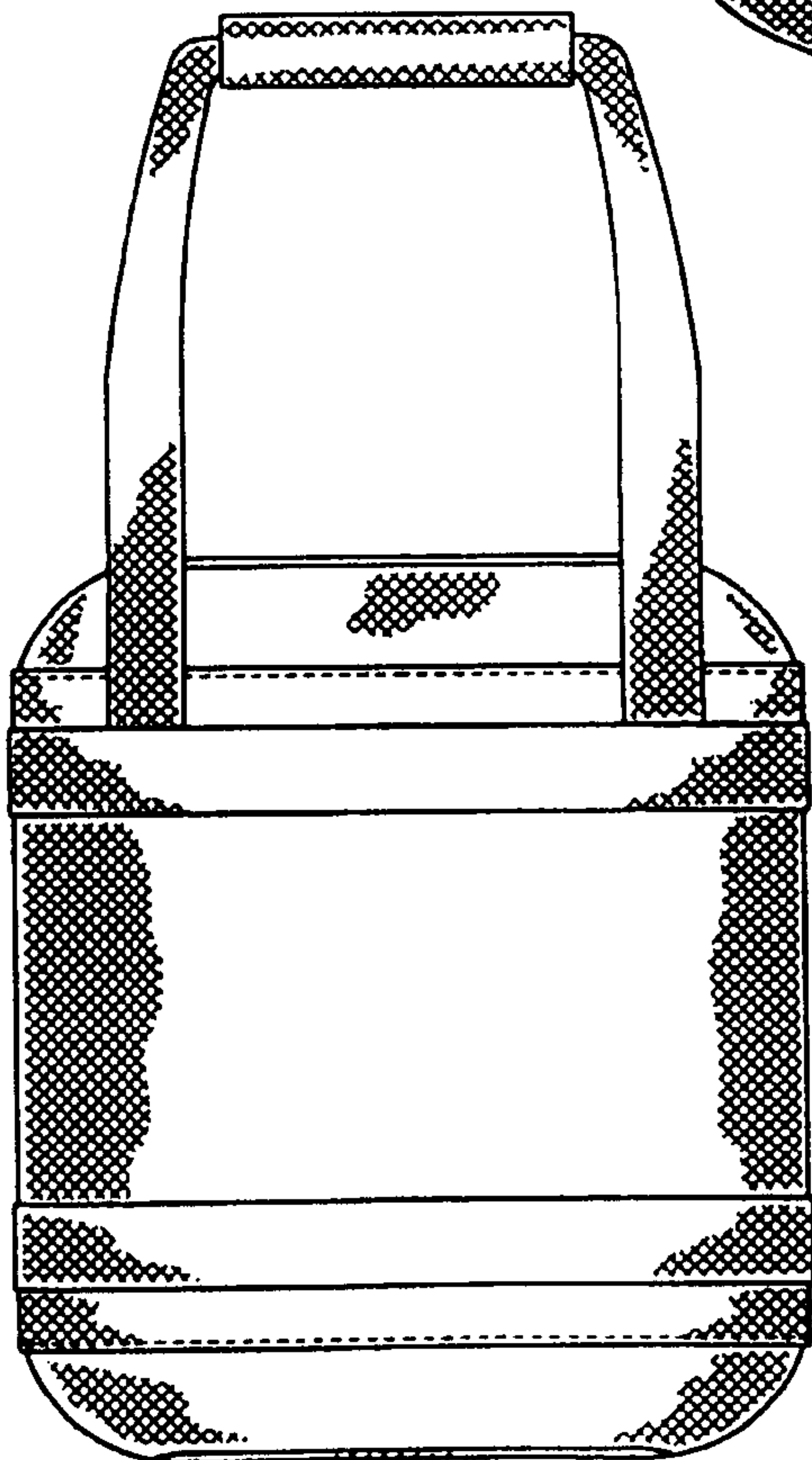
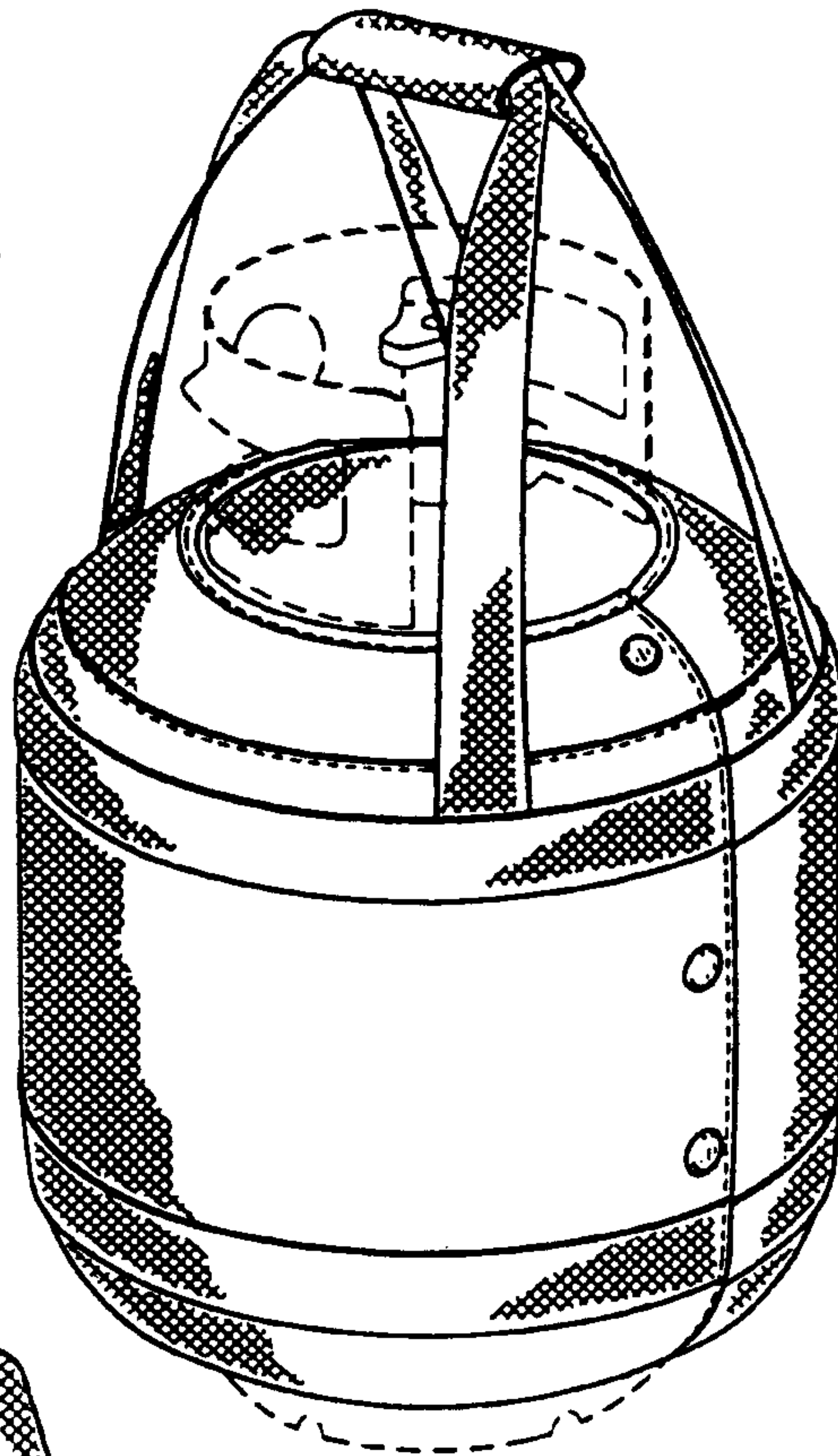


Fig. 2

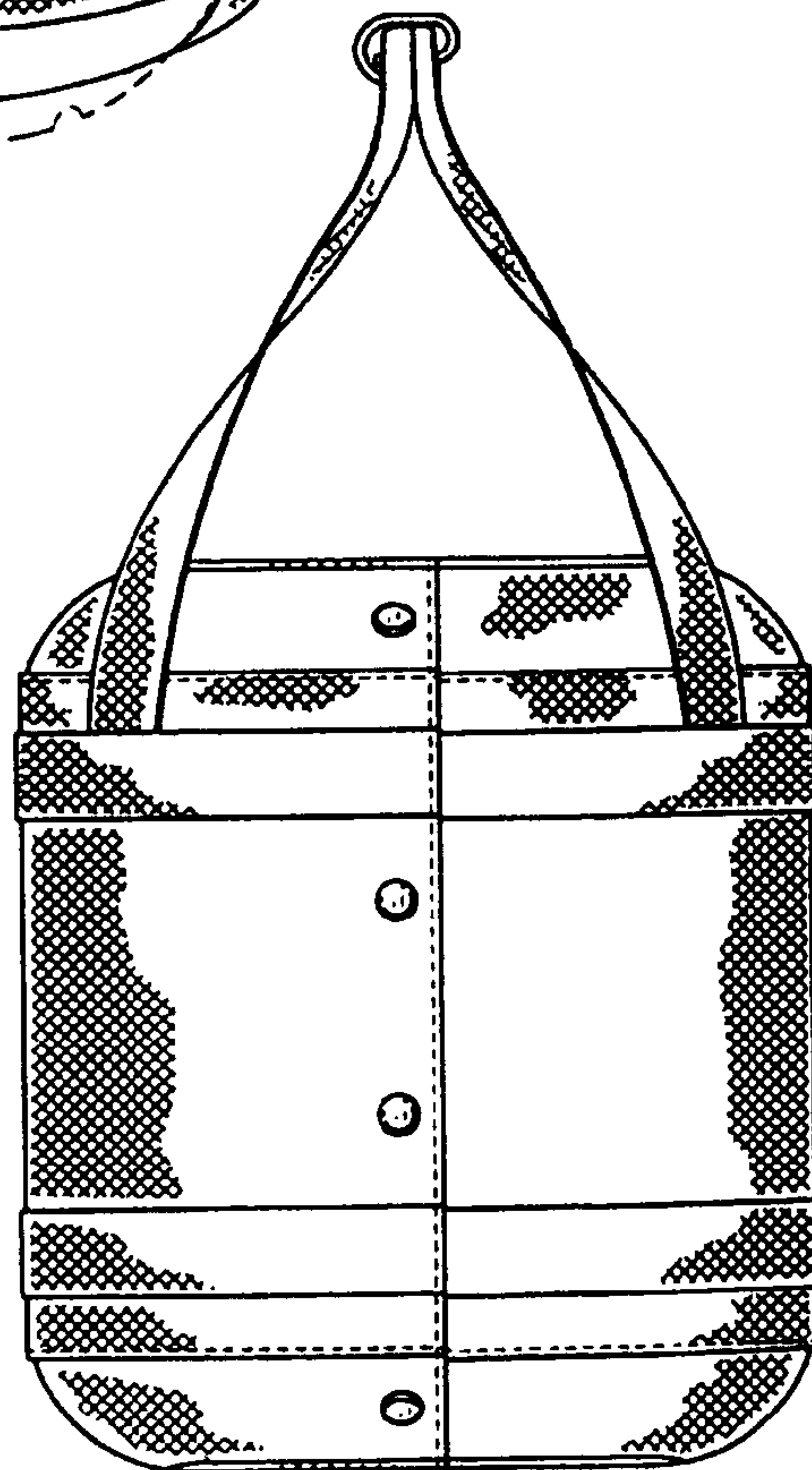


Fig. 3

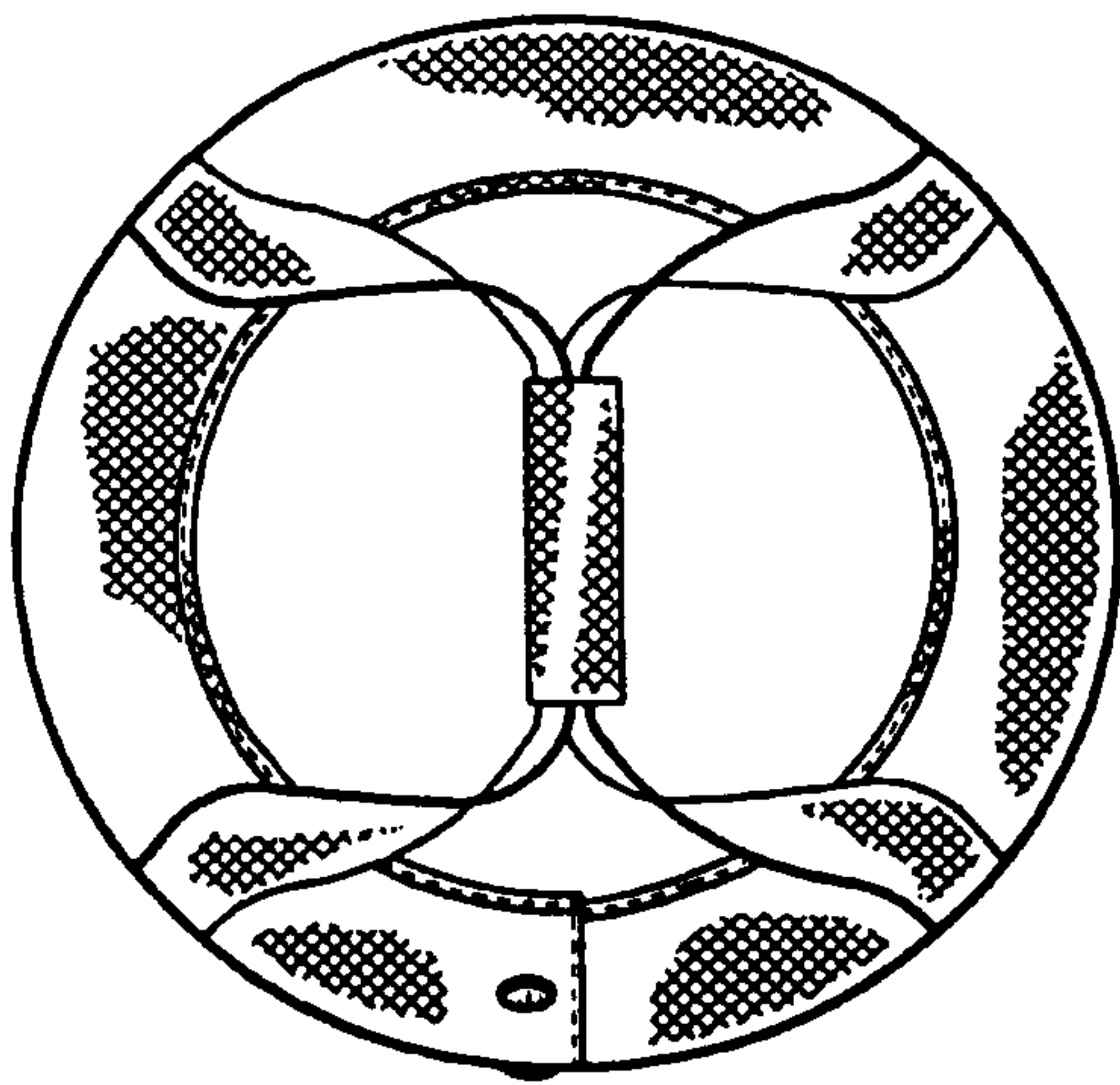


Fig. 4

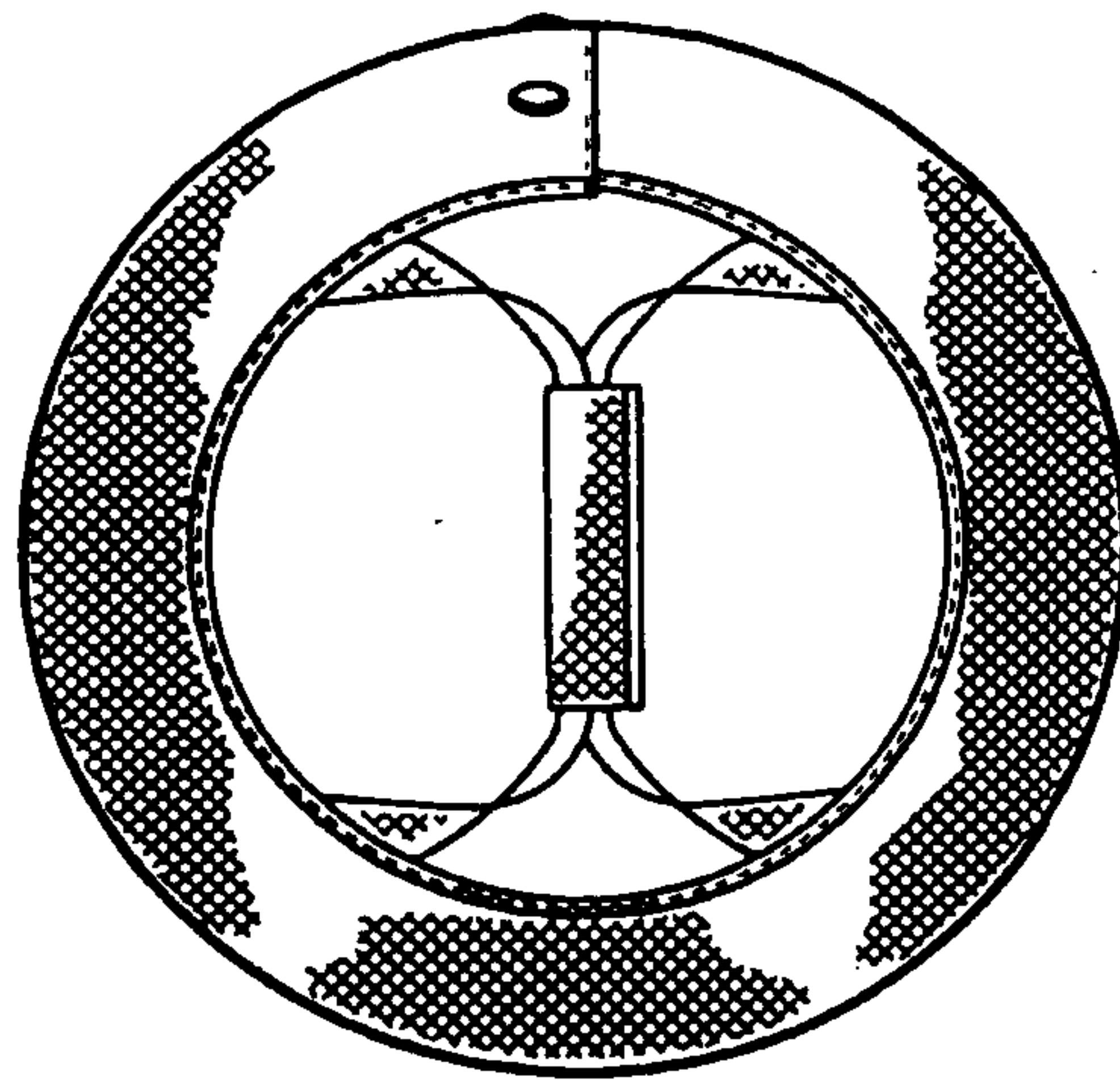


Fig. 5

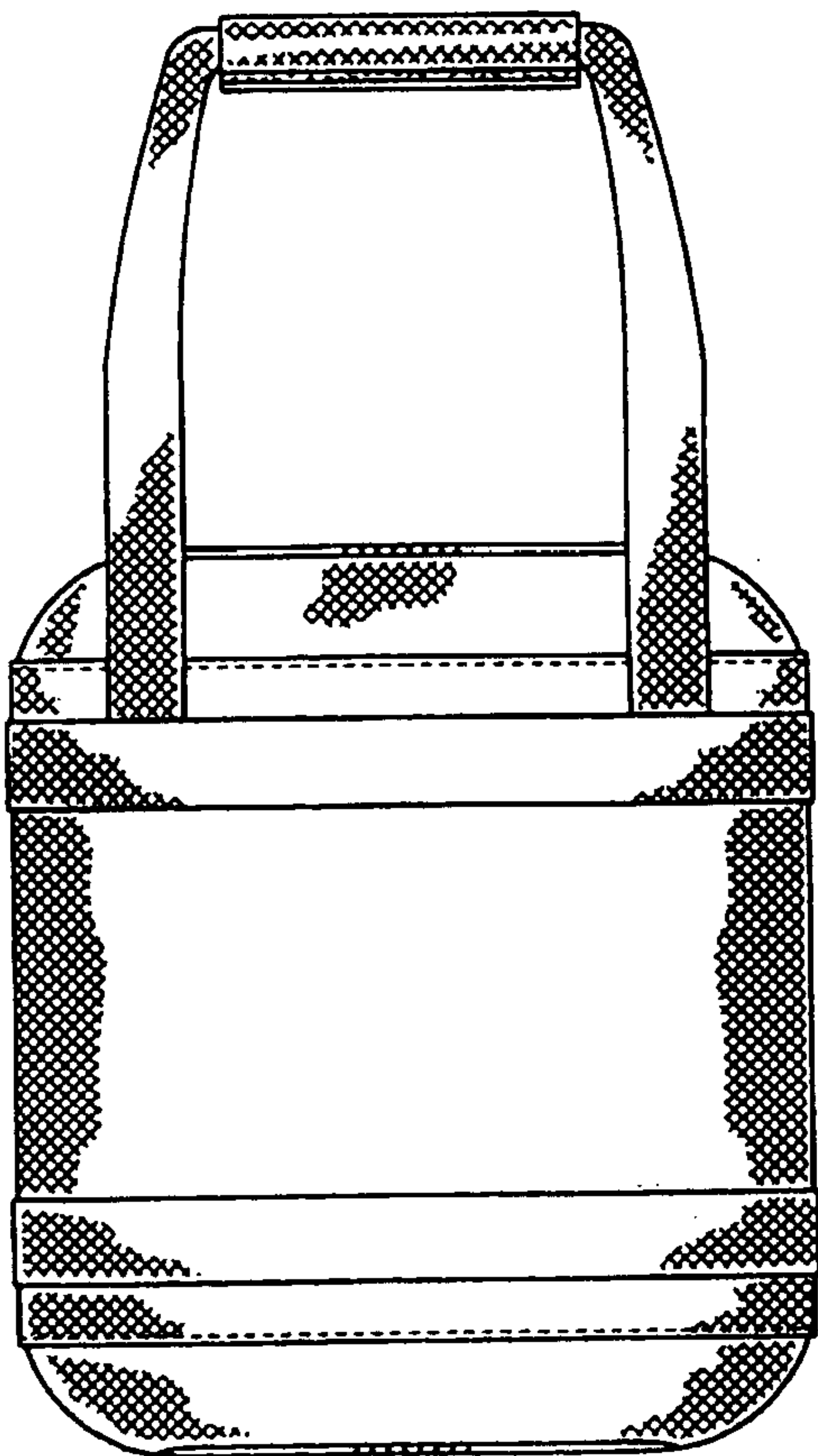


Fig. 6

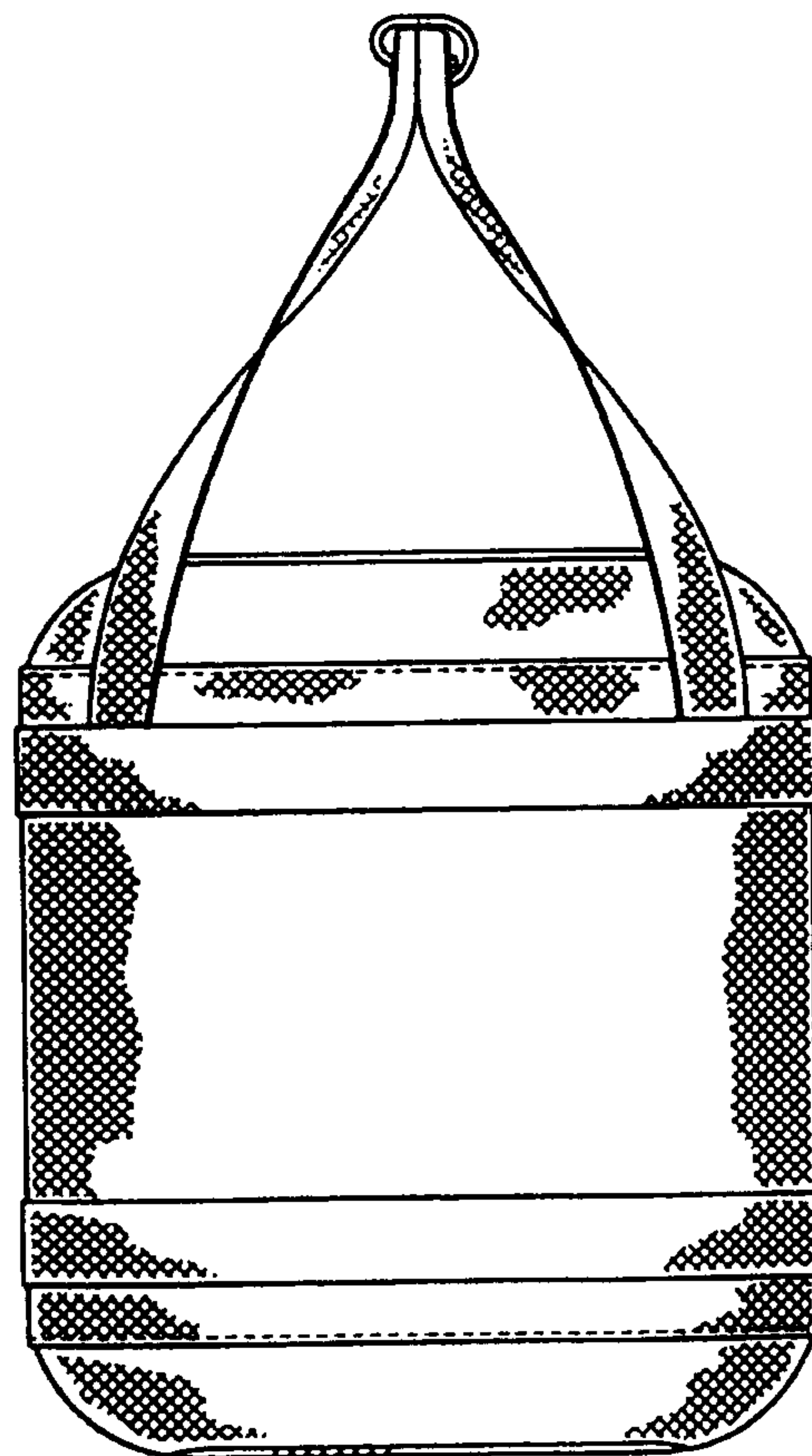


Fig. 7

Fig. 8

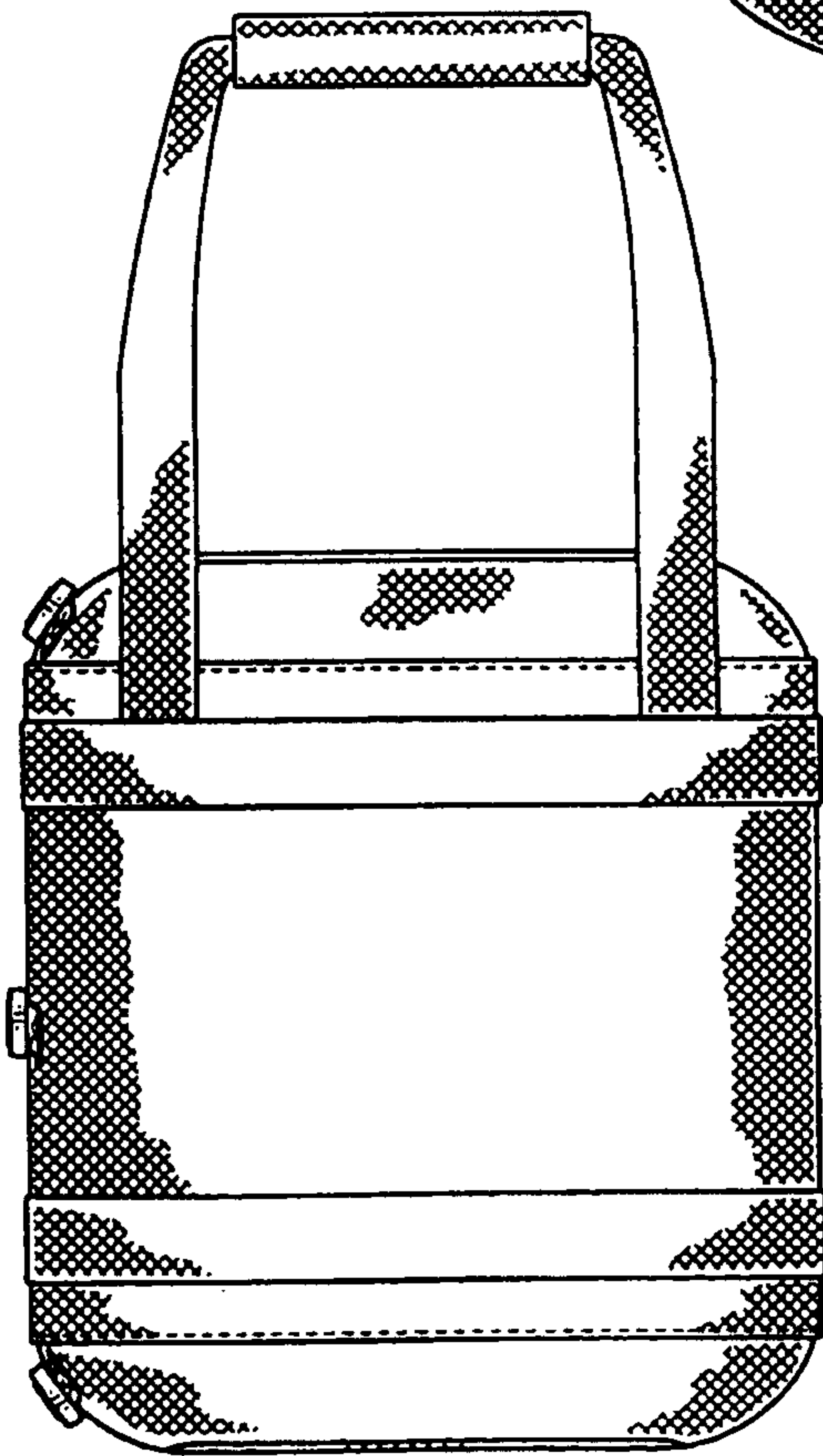
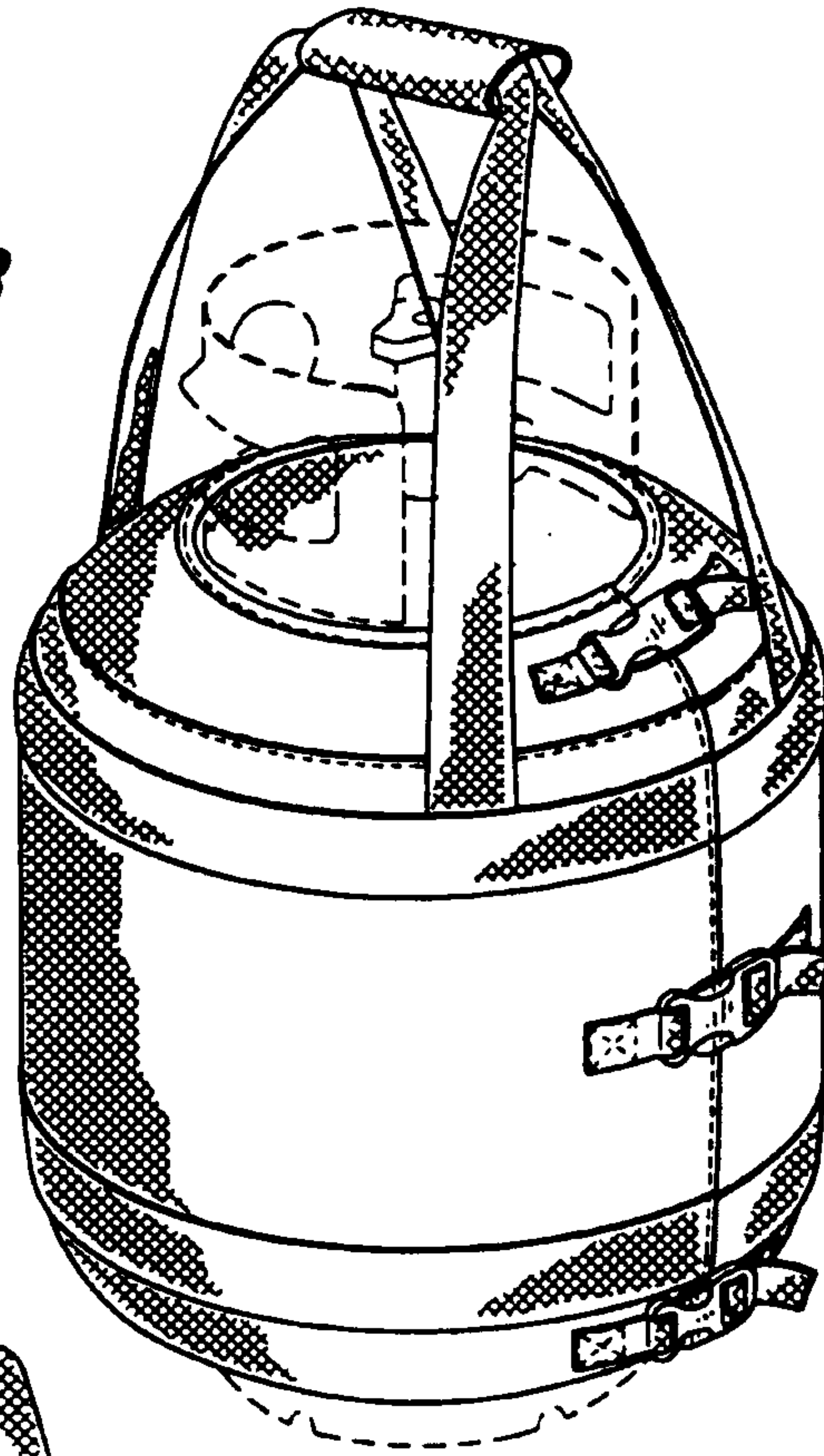


Fig. 9

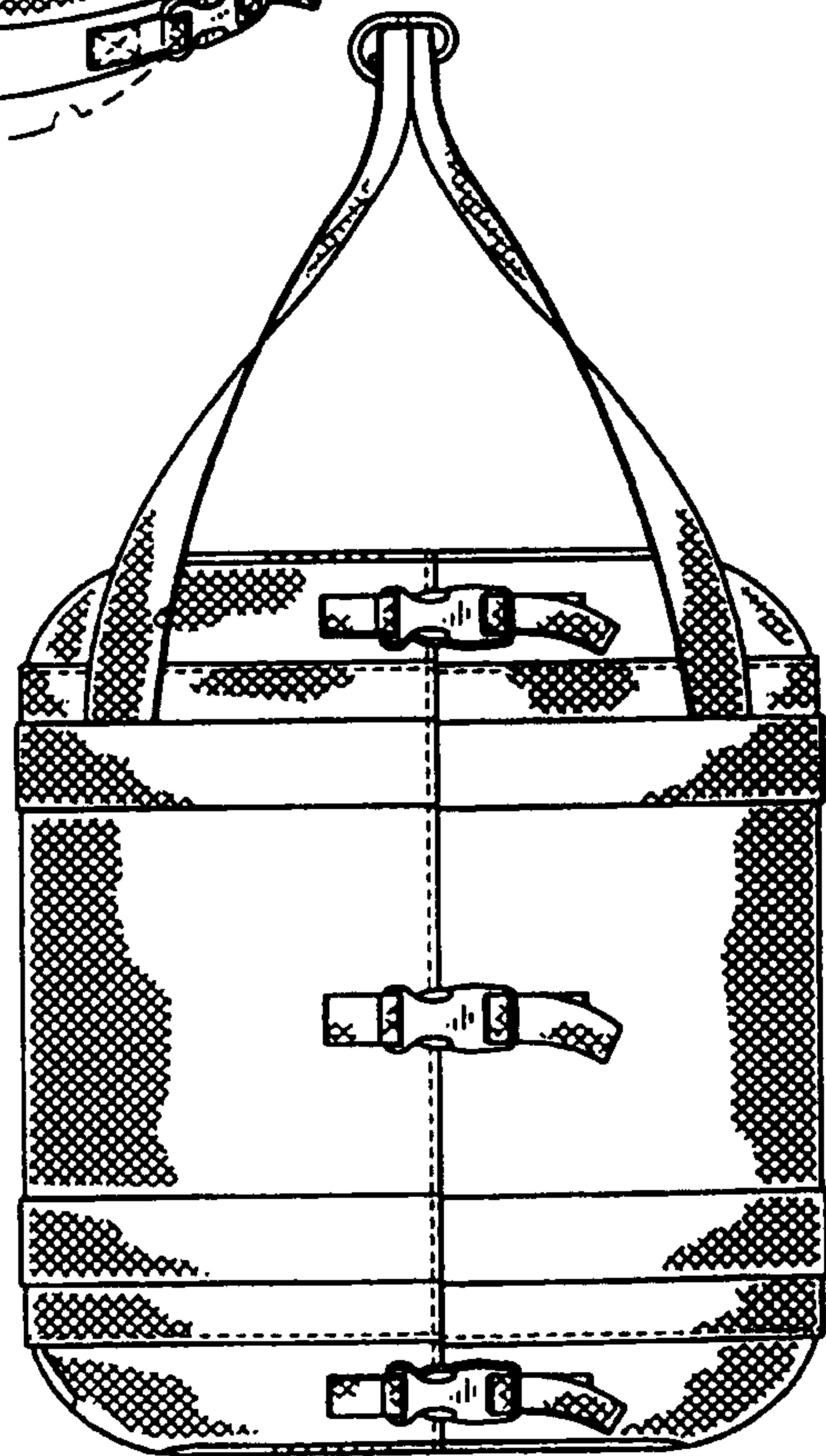


Fig. 10

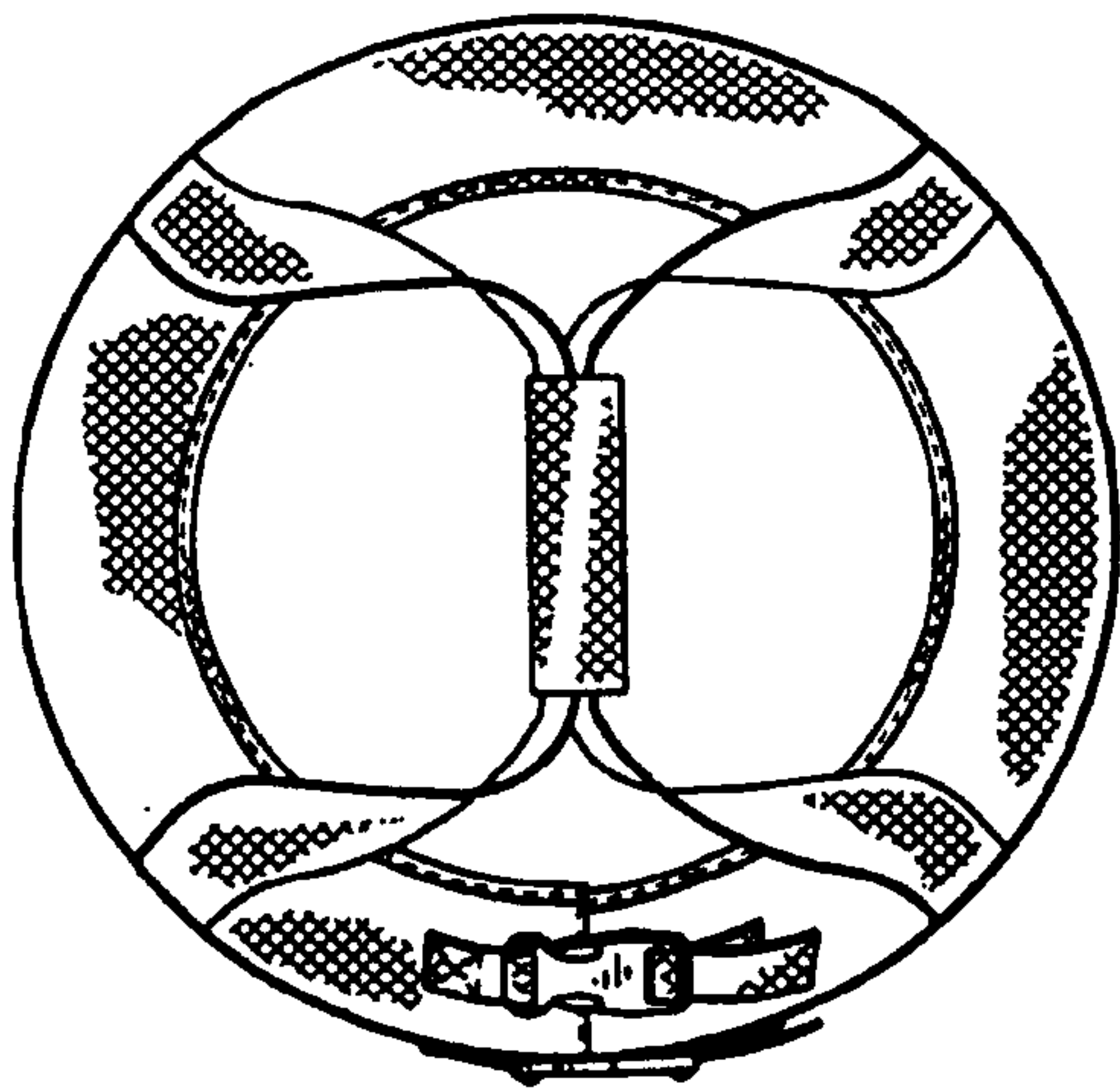


Fig. 11

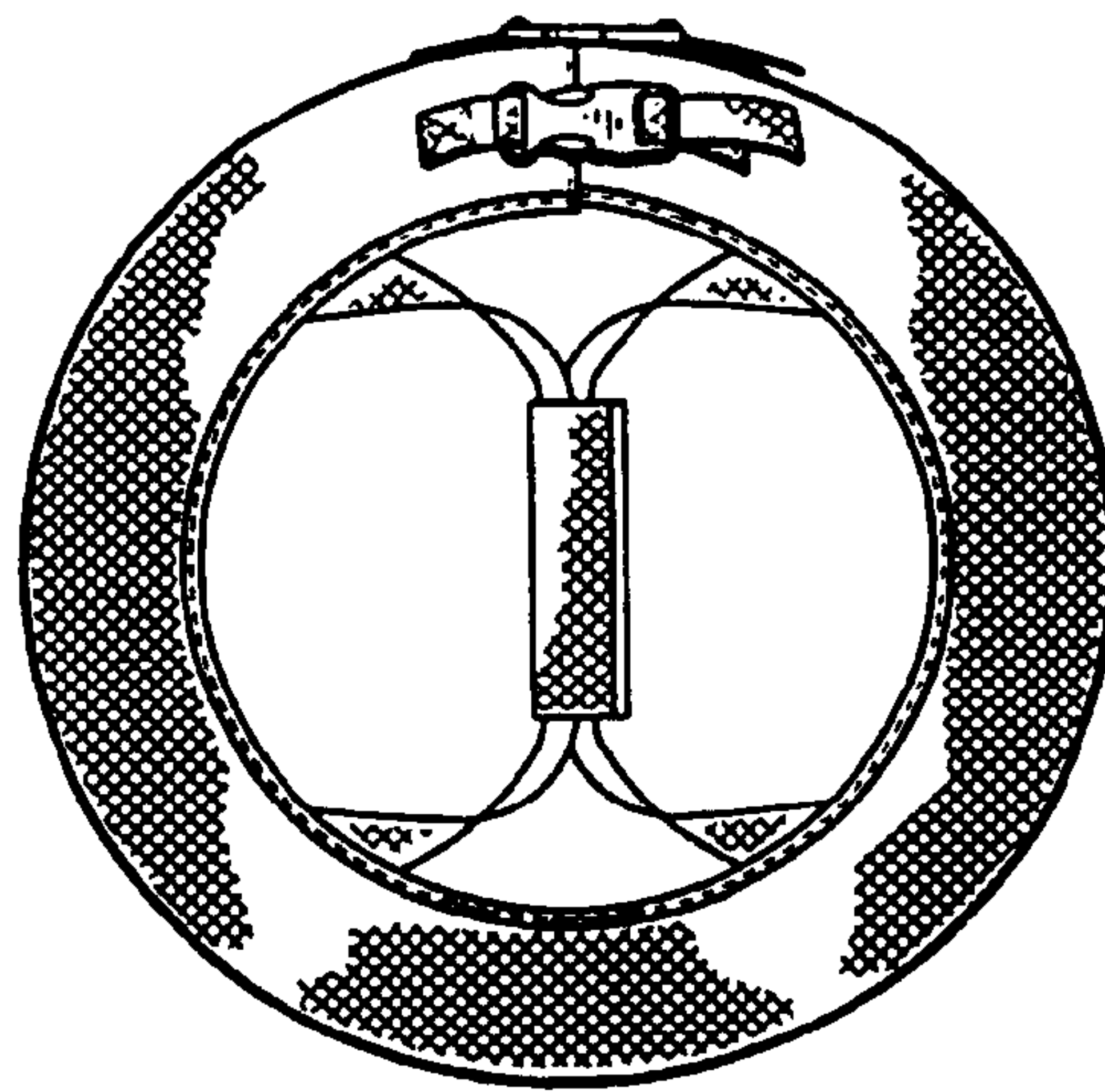


Fig. 12

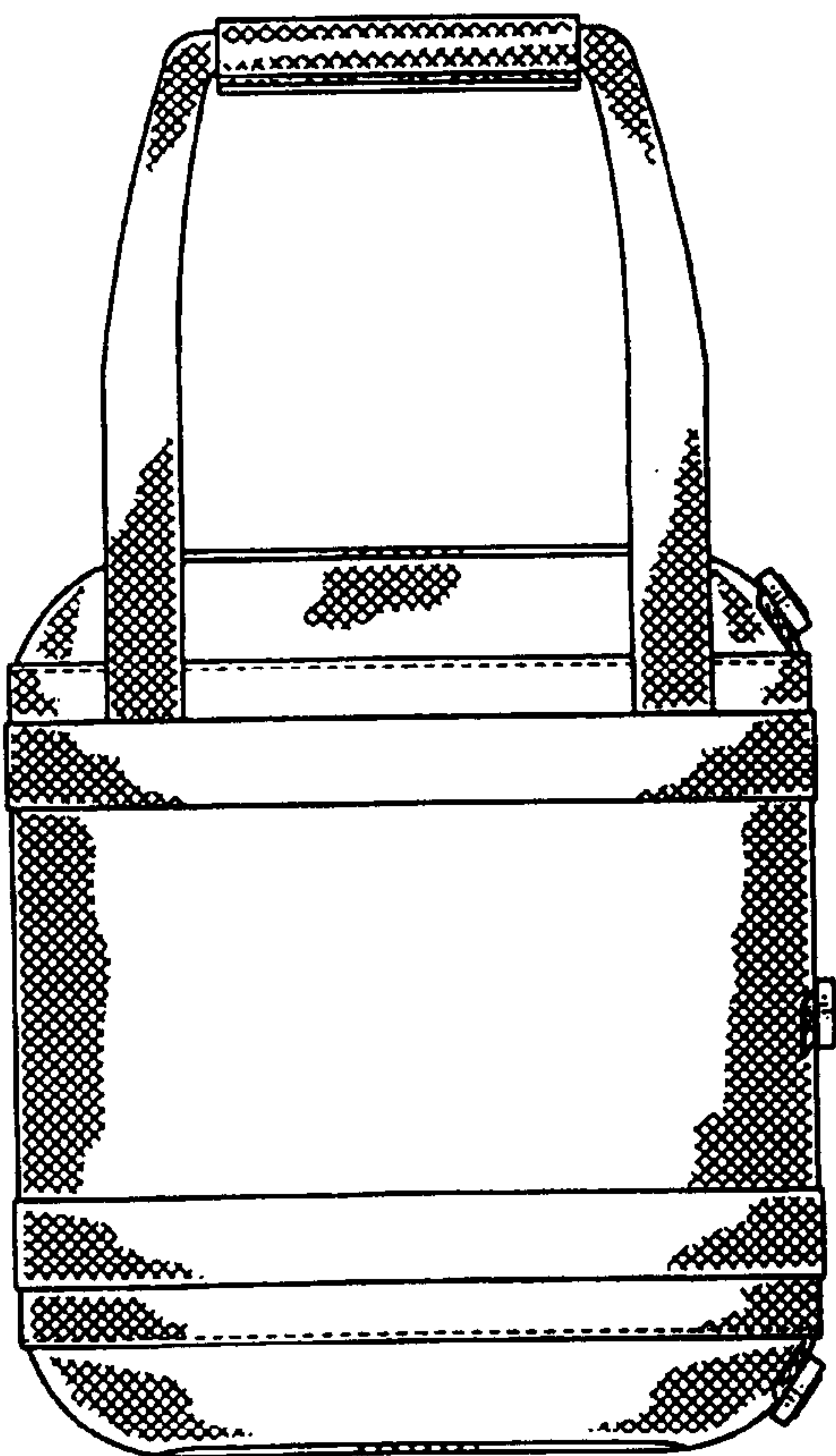


Fig. 13

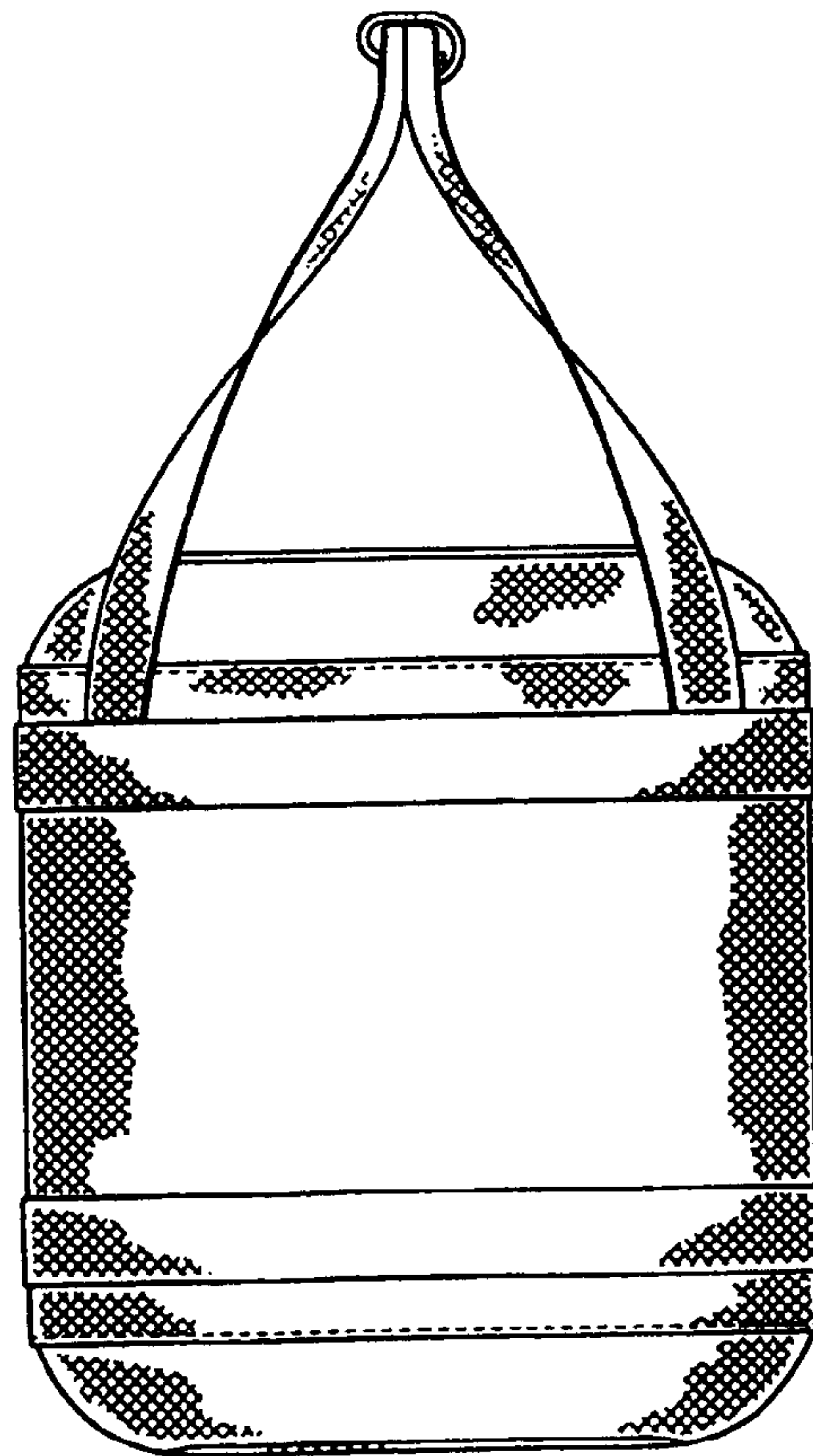


Fig. 14

Fig. 15

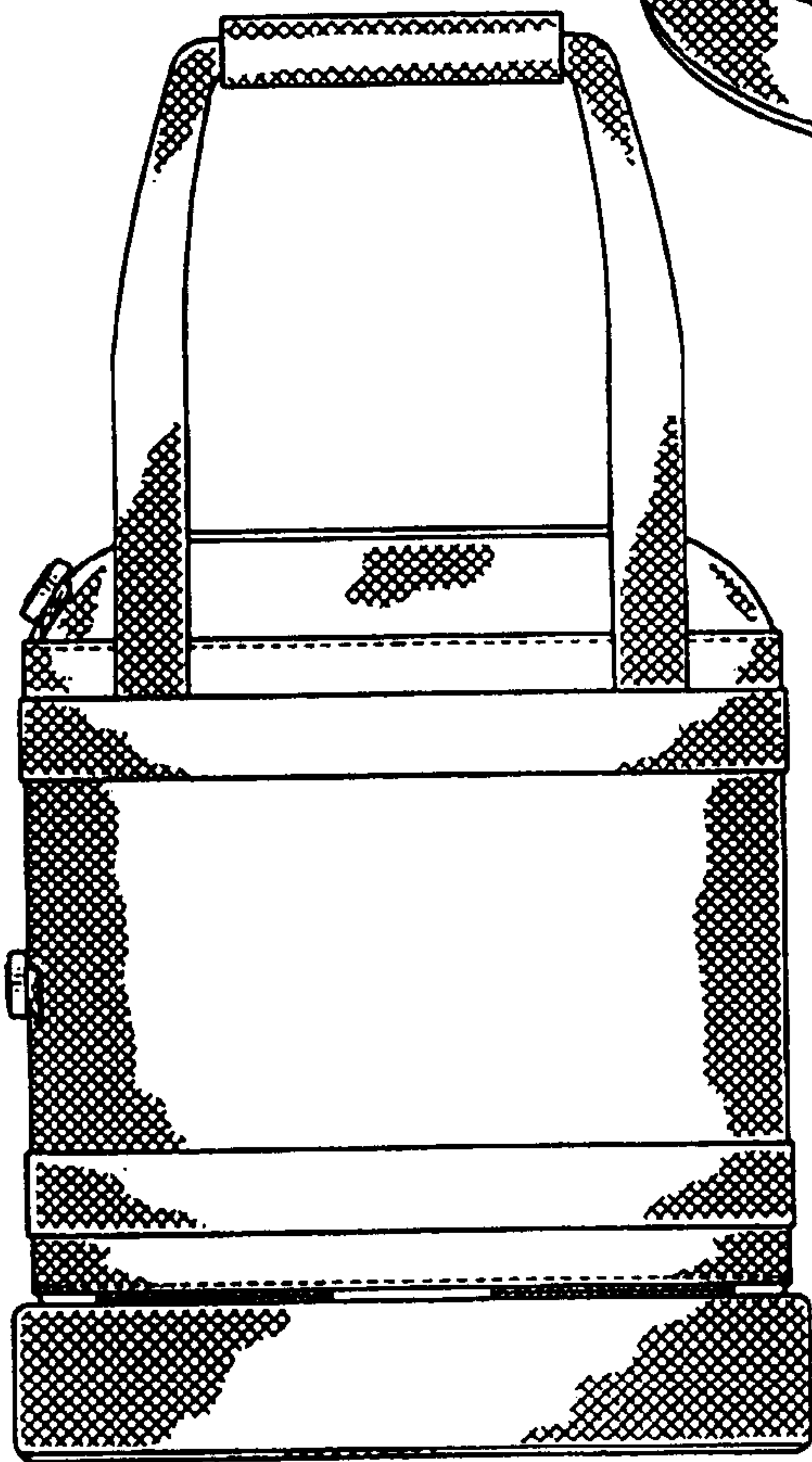
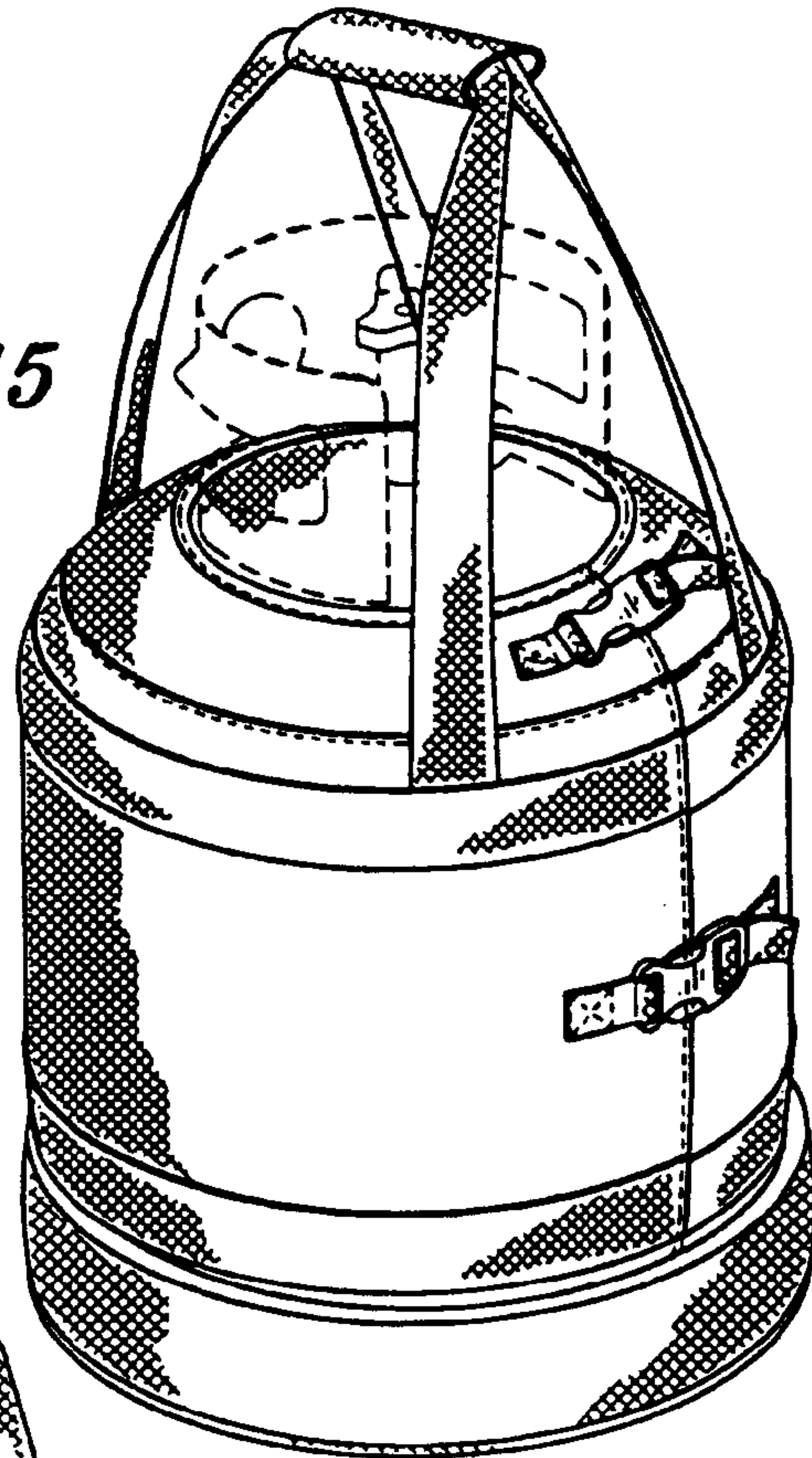


Fig. 16

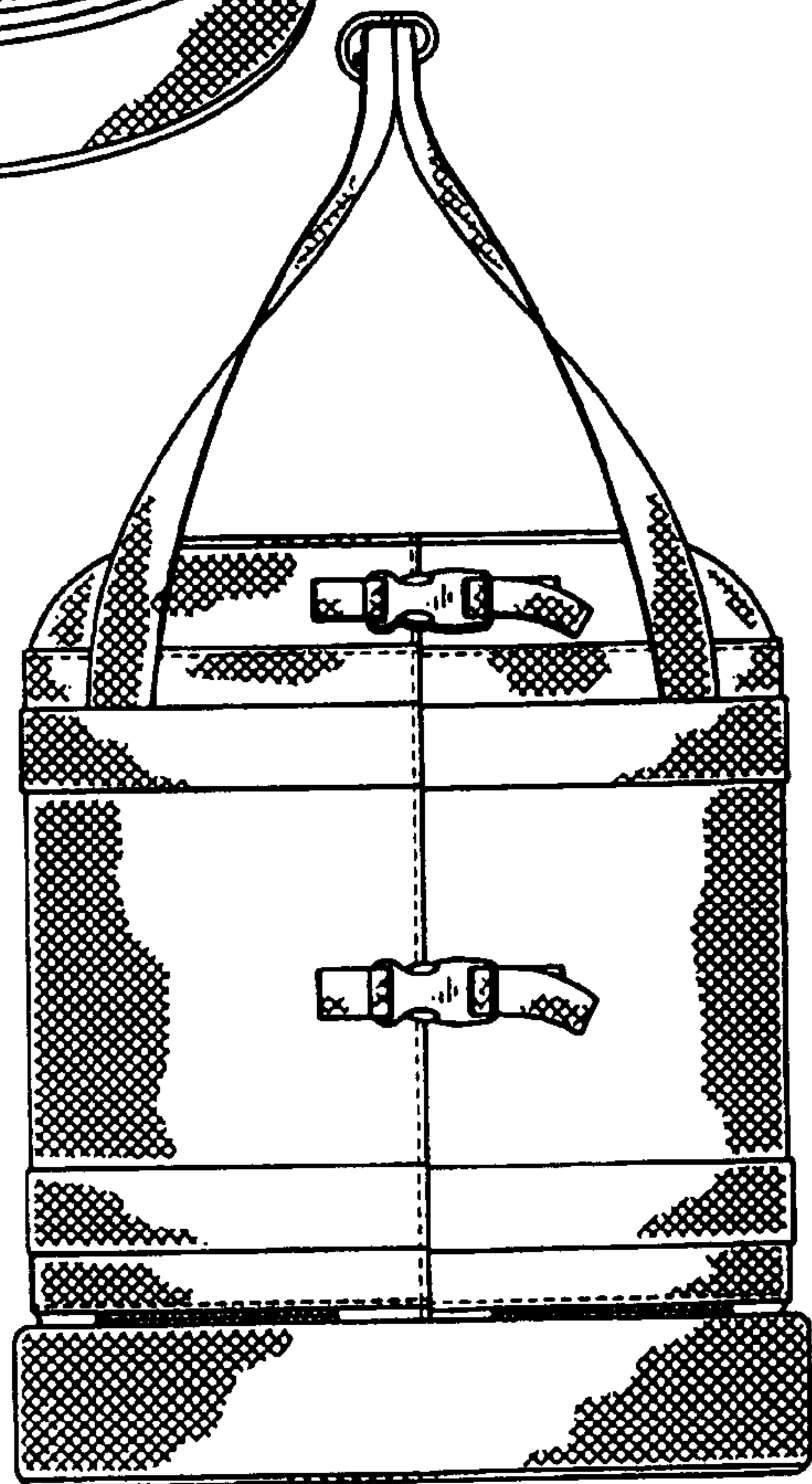


Fig. 17

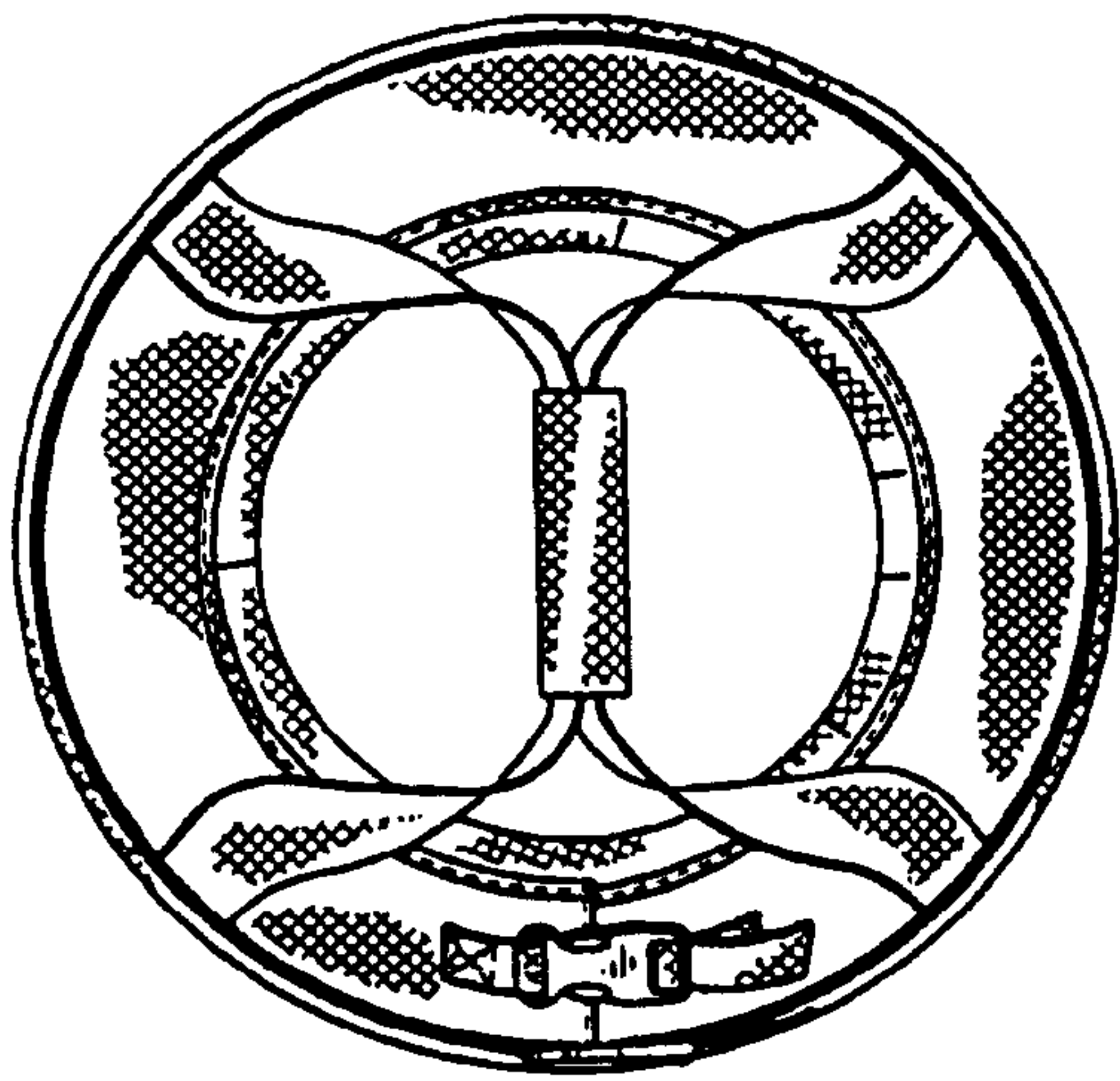


Fig. 18

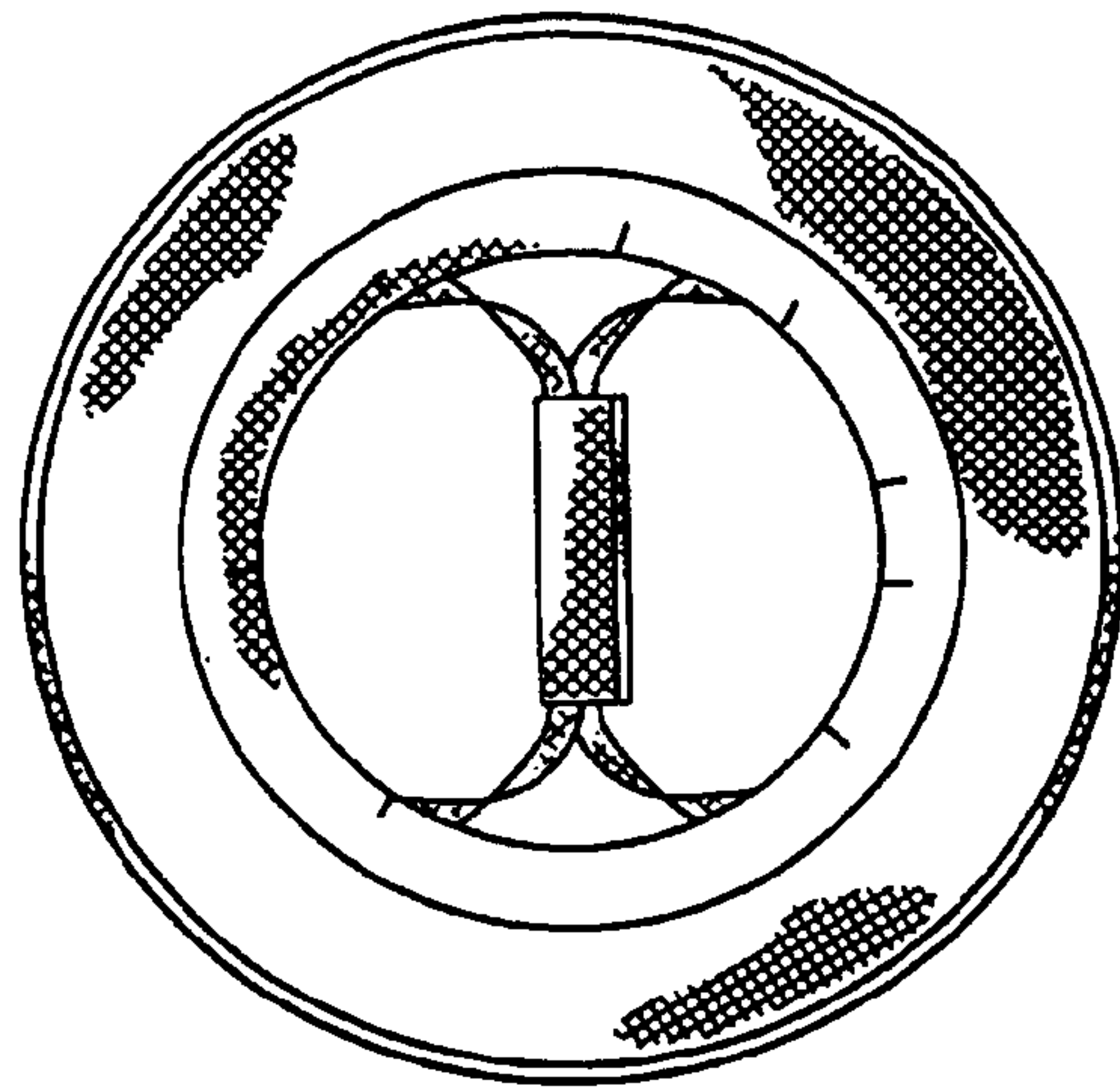


Fig. 19

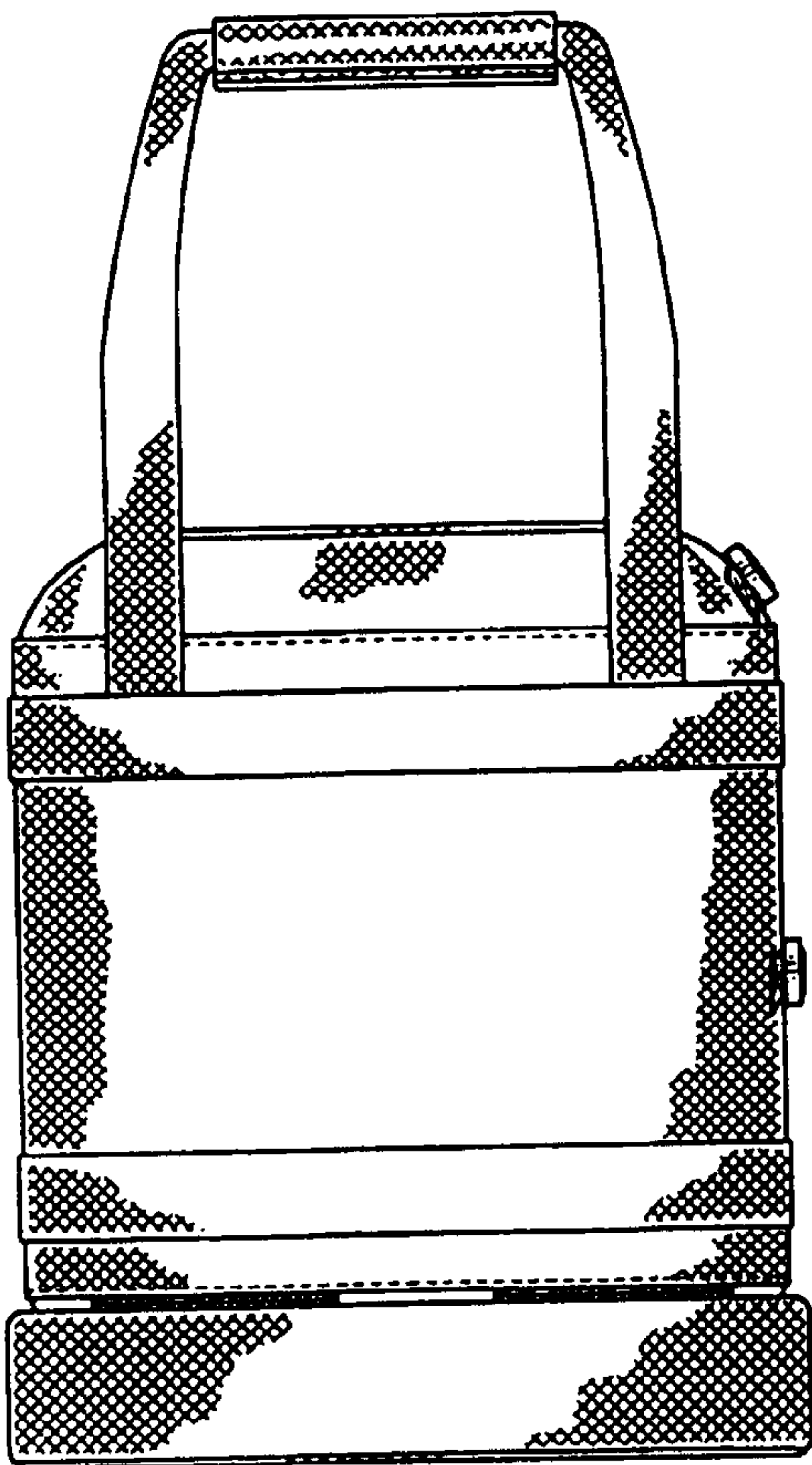


Fig. 20

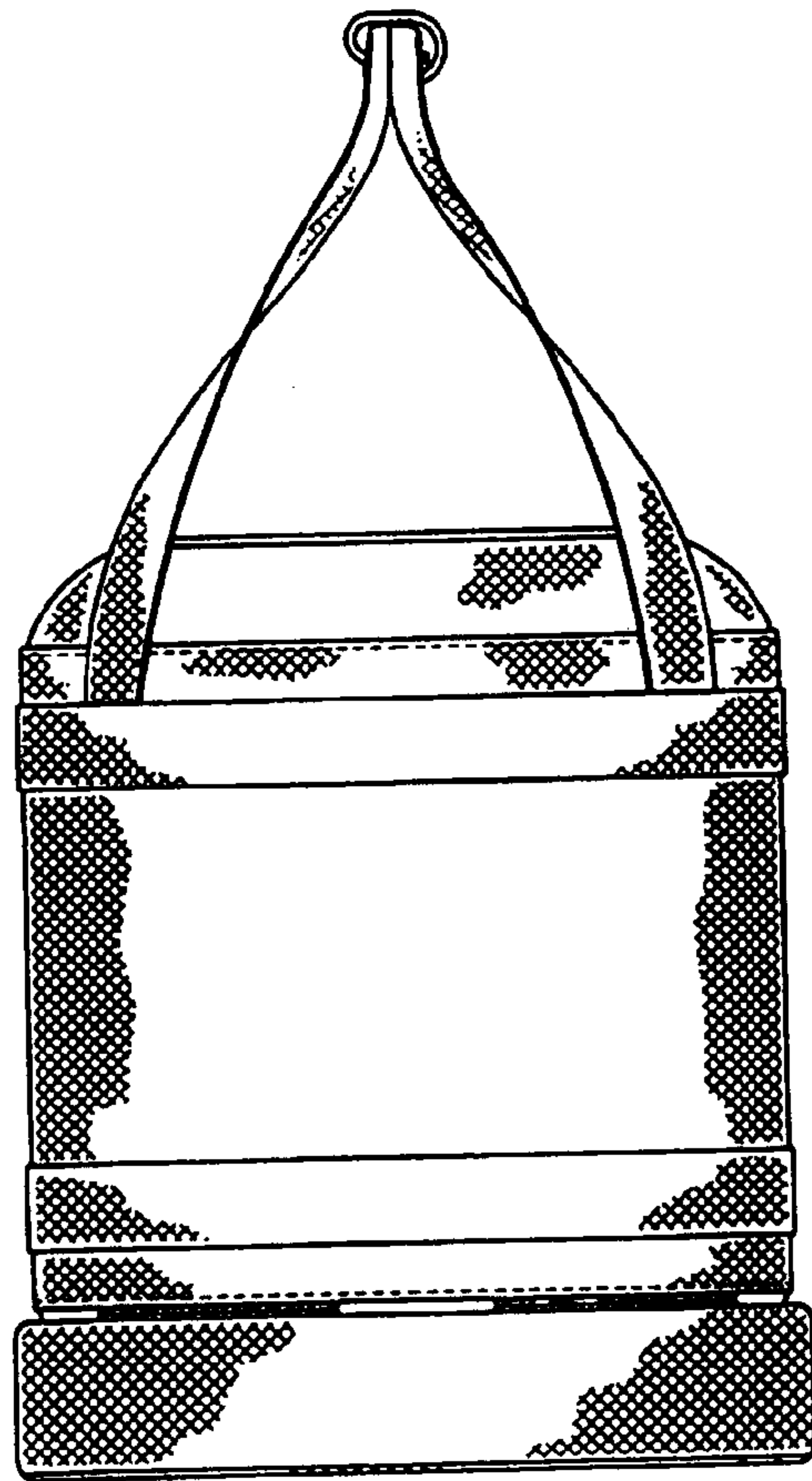


Fig. 21