

US00D526781S

(12) **United States Design Patent** (10) **Patent No.:** **US D526,781 S**
Feldmann et al. (45) **Date of Patent:** **** Aug. 22, 2006**

(54) **CARRYING CASE WITH REMOVABLE TRAY**

(75) Inventors: **William Mark Feldmann**, Fairfield, OH (US); **John R. Brown**, Harrison, OH (US)

(73) Assignee: **Campbell Hausfeld/Scott Fetzer Company**, Harrison, OH (US)

(**) Term: **14 Years**

(21) Appl. No.: **29/226,715**

(22) Filed: **Mar. 31, 2005**

(51) **LOC (8) Cl.** **03-01**

(52) **U.S. Cl.** **D3/274; D3/905**

(58) **Field of Classification Search** D3/273–274, D3/276, 281–283, 292–295, 297–298, 315, D3/904, 905; D9/415; 206/349, 372–373, 206/376–379

See application file for complete search history.

(56) **References Cited**

U.S. PATENT DOCUMENTS

2,599,011 A	6/1952	Phipard, Jr.	
2,819,792 A	1/1958	Margulis	
4,703,852 A	11/1987	Verdier	
4,773,536 A	9/1988	Rau	
4,834,237 A	5/1989	Henke et al.	
5,114,007 A	5/1992	Chen	
5,130,659 A	7/1992	Sloan	
5,429,235 A	7/1995	Chen	
D382,115 S	* 8/1997	Chang	D3/282
5,758,769 A	* 6/1998	Vasudeva	206/372
5,803,254 A	9/1998	Vasudeva	
5,826,718 A	10/1998	Ahern, Jr. et al.	
5,826,719 A	* 10/1998	Chen	206/373
5,887,715 A	3/1999	Vasudeva	
D417,338 S	12/1999	Main	
6,068,123 A	* 5/2000	Chen	206/373
D431,359 S	* 10/2000	Lapidus	D3/273
6,129,229 A	10/2000	Dunn et al.	
D436,441 S	1/2001	Lapidus	
D444,300 S	7/2001	Leyshon	
D464,486 S	* 10/2002	Vasudeva	D3/315

D466,296 S	* 12/2002	Hellenberg-Hubar	D3/295
D472,389 S	* 4/2003	Vasudeva	D3/315
D474,599 S	* 5/2003	Shamoon	D3/282
D475,853 S	* 6/2003	Chen	D3/294
6,626,295 B1	9/2003	Vasudeva	
6,648,166 B1	11/2003	Levy	
6,769,588 B1	8/2004	Zheng	
2001/0010291 A1	8/2001	Hu	
2002/0117413 A1	8/2002	Ling	
2002/0117414 A1	8/2002	Kipper et al.	
2003/0015445 A1	1/2003	Levy	
2003/0062273 A1	4/2003	Chiu	
2003/0080010 A1	5/2003	Ho	
2003/0106821 A1	6/2003	Bar-Erez	
2004/0020809 A1	2/2004	Allan et al.	
2004/0040874 A1	3/2004	Chen Chen	
2004/0065574 A1	4/2004	Hernandez, Jr. et al.	
2004/0069668 A1	4/2004	Finnigarn	
2004/0188293 A1	9/2004	Lee	
2005/0236290 A1	* 10/2005	Ohi	206/373
2006/0037880 A1	* 2/2006	Wang	206/372

* cited by examiner

Primary Examiner—Philip S. Hyder

Assistant Examiner—RoseLynne (Ulm) Cody

(57) **CLAIM**

The ornamental design for a carrying case with removable tray, as shown and described.

DESCRIPTION

FIG. 1 is a perspective view of a carrying case with a removable tray, embodying the ornamental design of the present invention;

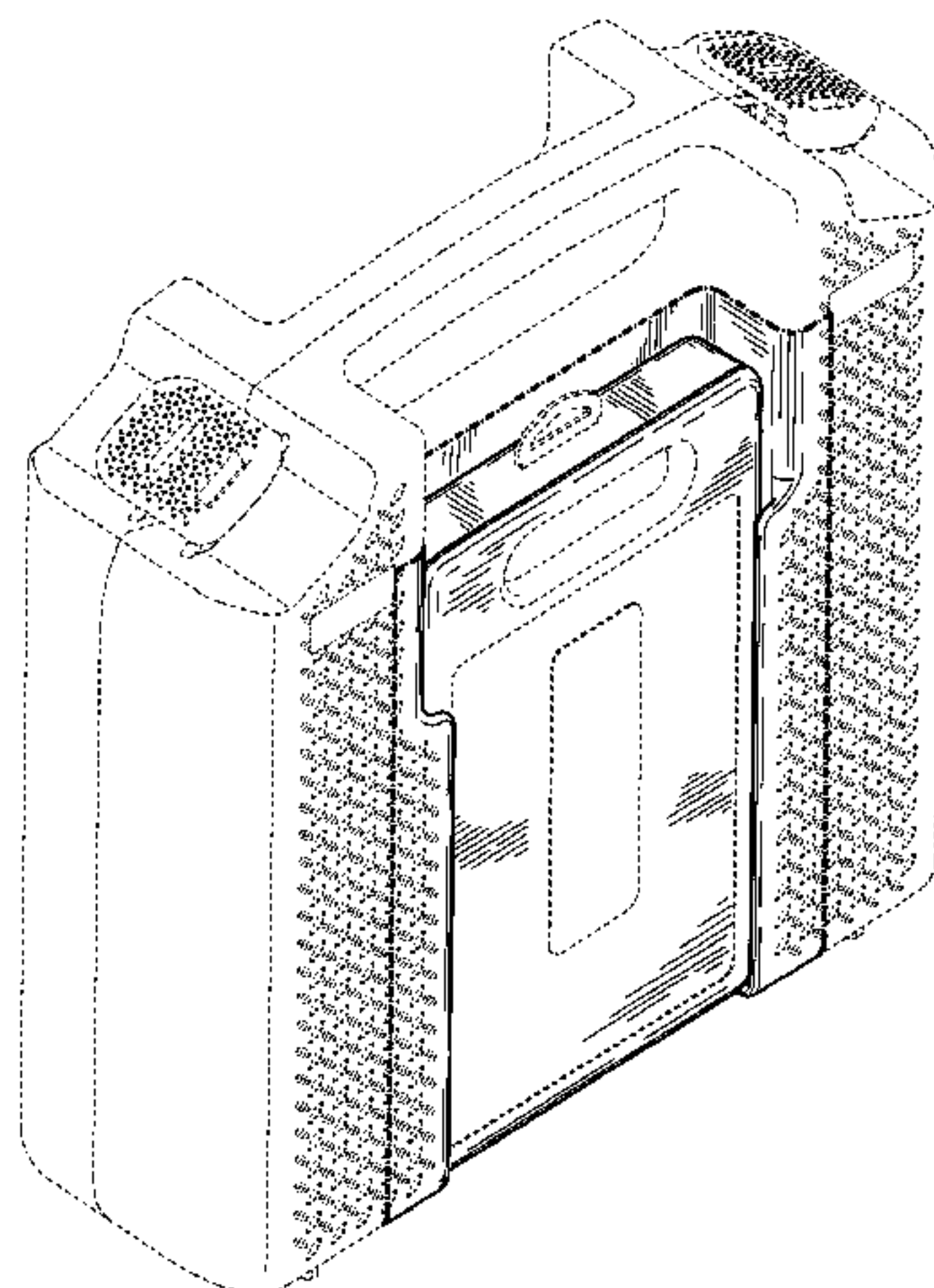
FIG. 2 is front view thereof;

FIG. 3 is a top view thereof; and,

FIG. 4 is a bottom view thereof.

The broken lines in FIGS. 1–4 are for illustrative purposes only and form no part of the claimed design. More specifically, dashed broken lines indicate unclaimed features. These include the diamond plate pattern surface treatment on the carrying case. A dot-dash broken line on the carrying case, shown with heavier weight than the dashed broken lines, defines a boundary of the claimed design.

1 Claim, 3 Drawing Sheets



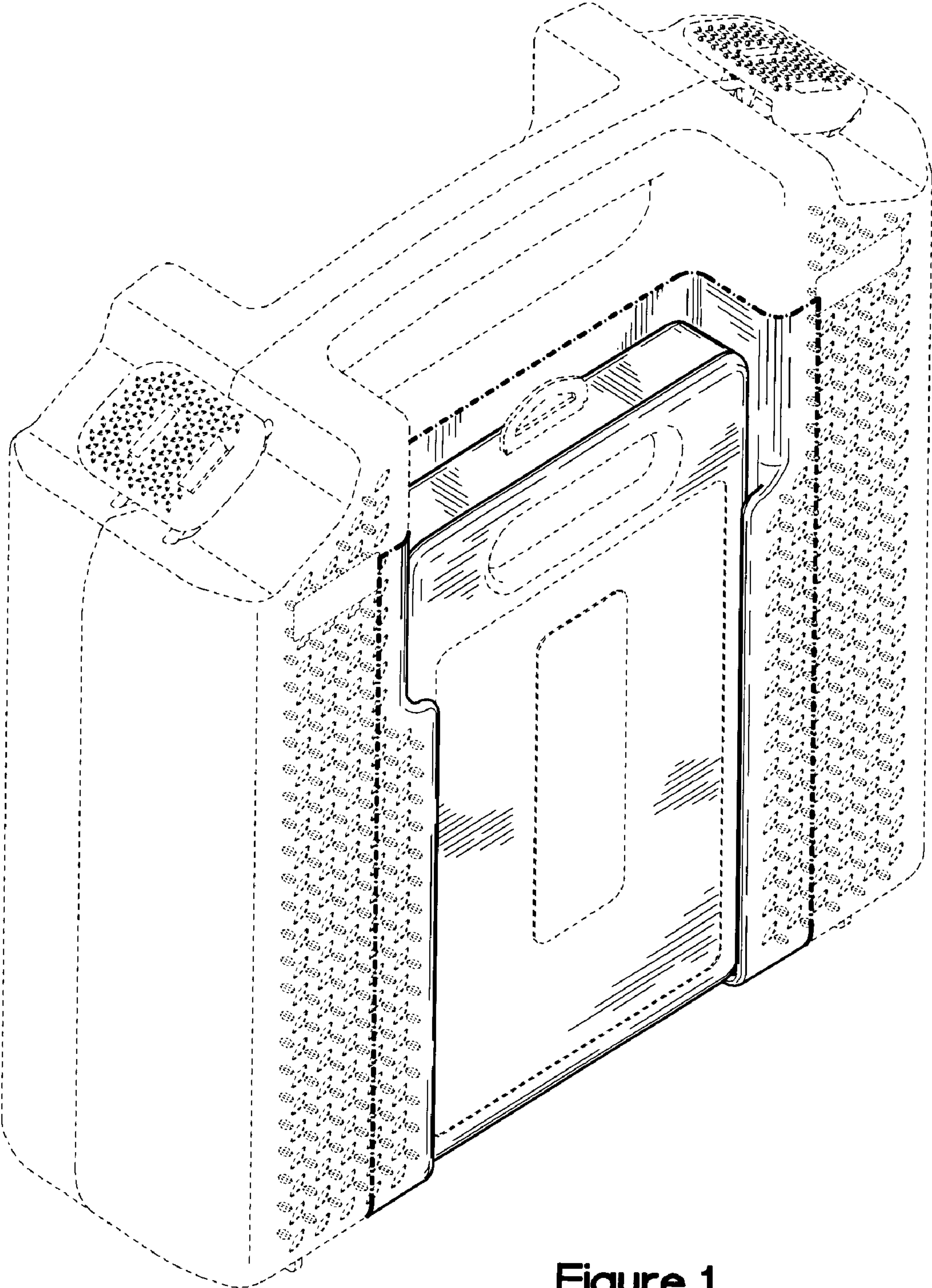


Figure 1

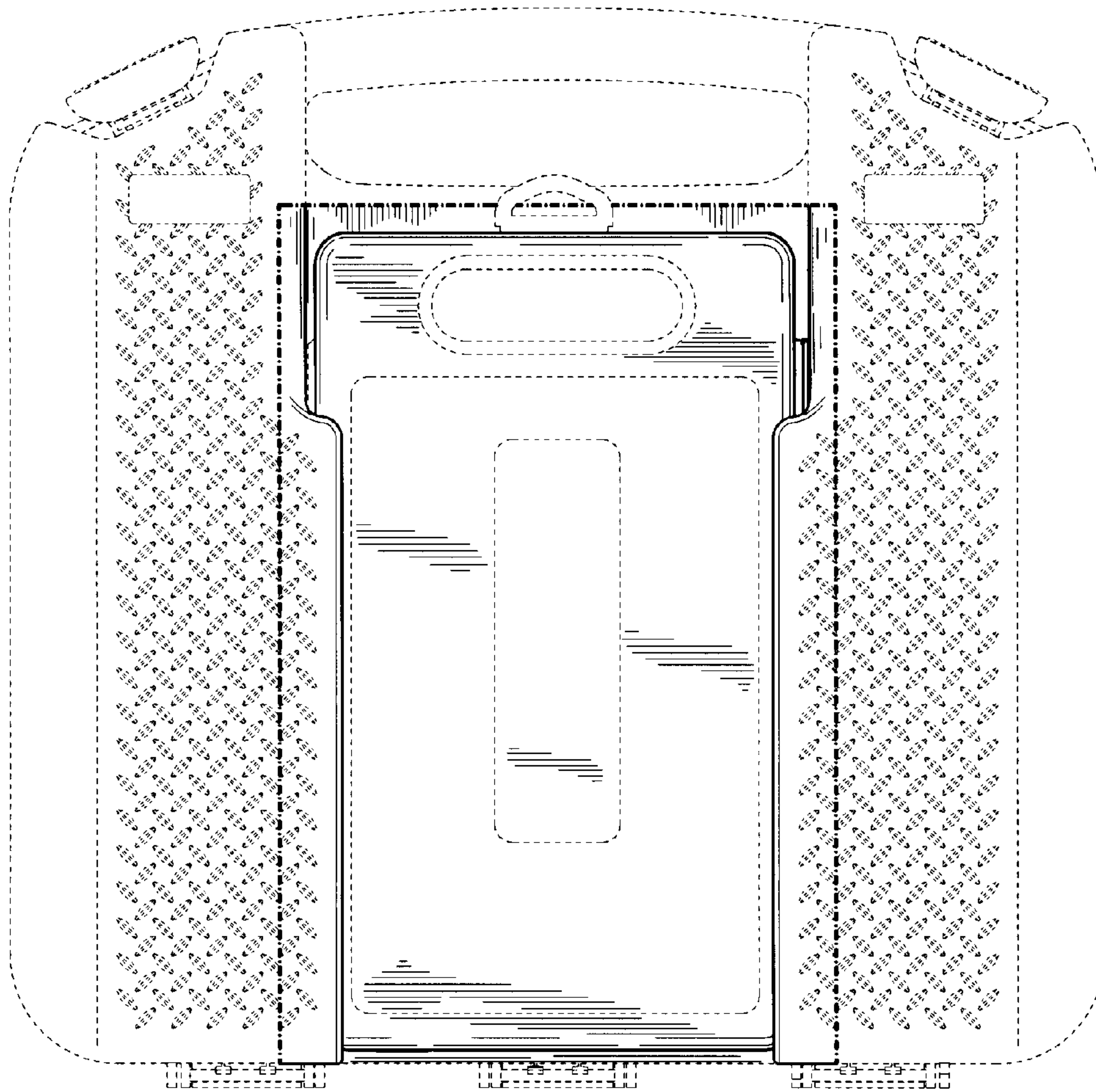


Figure 2

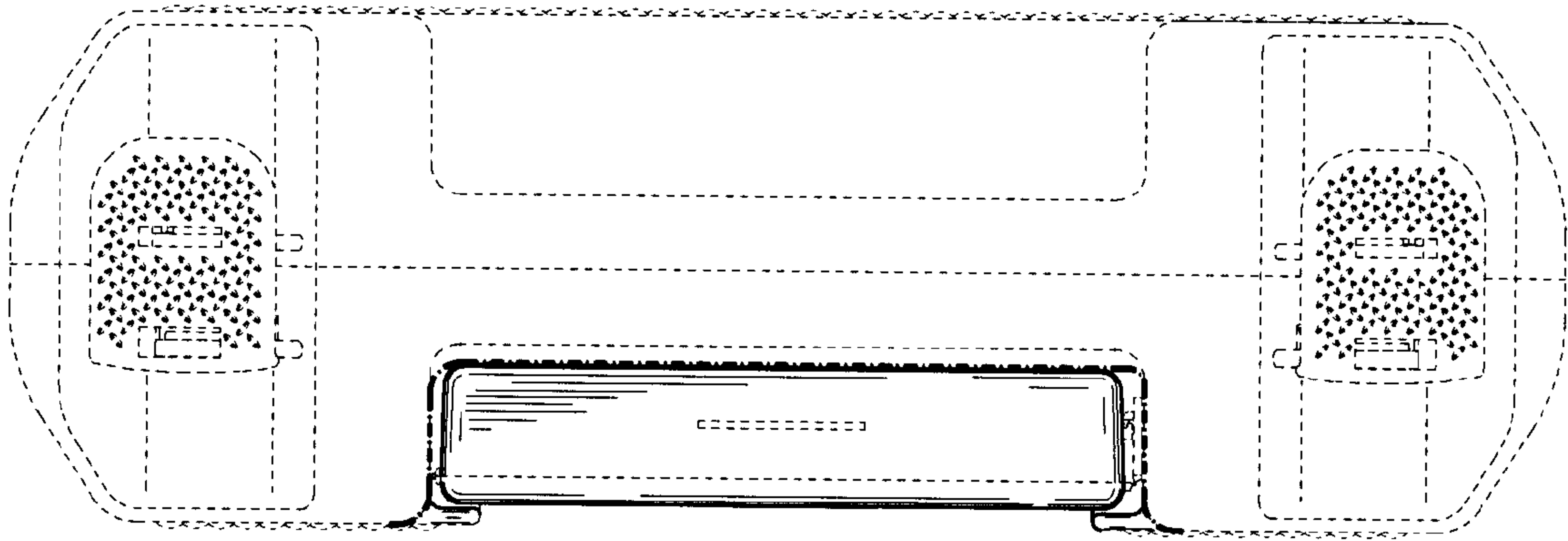


Figure 3

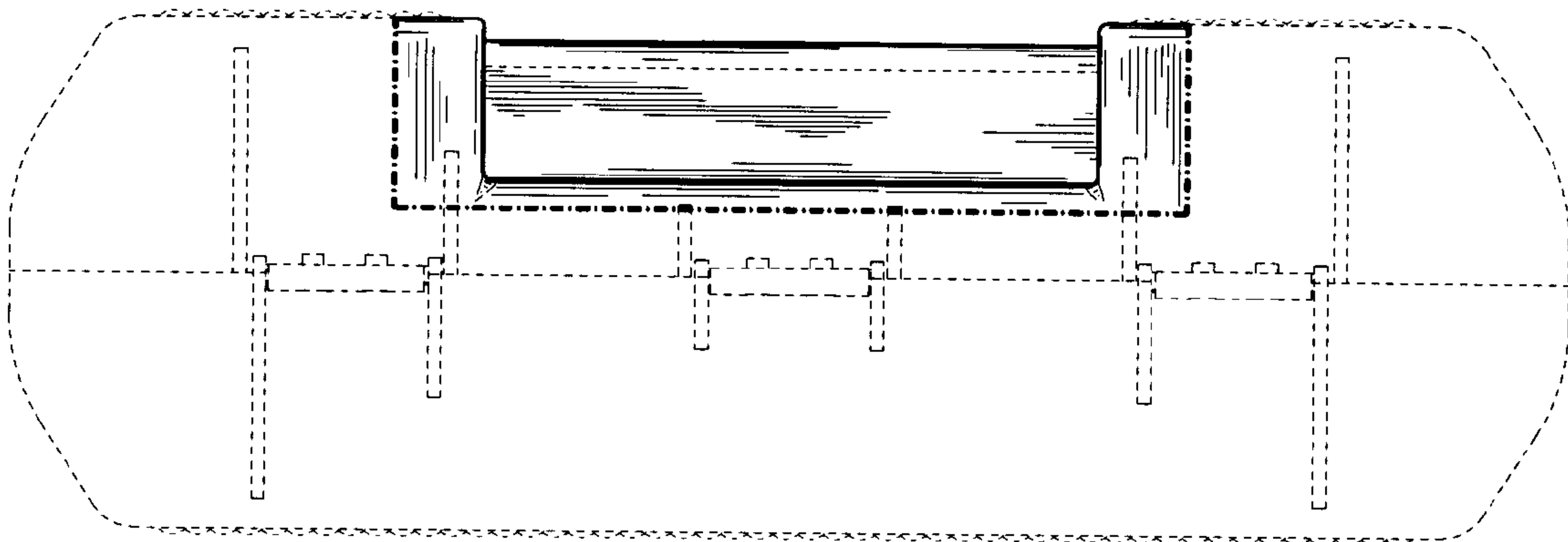


Figure 4