

US00D526780S

(12) **United States Design Patent** (10) **Patent No.:** **US D526,780 S**  
**Richardson et al.** (45) **Date of Patent:** **\*\* Aug. 22, 2006**

(54) **CASE**  
 (75) Inventors: **Curtis R. Richardson**, Fort Collins, CO (US); **Douglas A. Kempel**, Fort Collins, CO (US)

5,648,757 A \* 7/1997 Vernace et al. .... 340/539.32  
 D386,611 S \* 11/1997 Sheu  
 D402,105 S \* 12/1998 Erickson  
 D409,374 S \* 5/1999 Laba et al.  
 D412,062 S \* 7/1999 Potter et al.

(73) Assignee: **Otter Products, LLC**, Fort Collins, CO (US)

(Continued)

(\*\*) **Term:** **14 Years**

(21) **Appl. No.:** **29/209,918**

(22) **Filed:** **Jul. 22, 2004**

(51) **LOC (8) Cl.** ..... **03-01**

(52) **U.S. Cl.** ..... **D3/273; D3/218**

(58) **Field of Classification Search** ..... D3/215,  
 D3/218–219, 273, 301–302, 905; D14/432,  
 D14/440, 443

See application file for complete search history.

(56) **References Cited**

**U.S. PATENT DOCUMENTS**

2,392,787	A	1/1946	Vermot	
D216,853	S	* 3/1970	Schurman	
D220,233	S	* 3/1971	Schurman	
3,590,988	A	7/1971	Hollar	
D275,822	S	10/1984	Gatland et al.	
4,703,161	A	10/1987	McLean	
D293,977	S	* 2/1988	Ito et al. ....	D3/219
4,762,227	A	8/1988	Patterson	
5,092,459	A	3/1992	Uljanic et al.	
D327,646	S	* 7/1992	Hardigg et al.	
D329,747	S	* 9/1992	Embree	
D330,329	S	* 10/1992	Brightbill	
5,175,873	A	12/1992	Goldenberg et al.	
D334,534	S	* 4/1993	Friz et al. ....	D9/415
D335,220	S	* 5/1993	Ward et al.	
D342,609	S	* 12/1993	Brightbill	
D347,324	S	5/1994	Dickenson	
D347,732	S	* 6/1994	Wentz	
D353,048	S	12/1994	VanSkiver et al.	
D374,988	S	* 10/1996	Hillinger .....	D3/294
D381,512	S	* 7/1997	Green	

**OTHER PUBLICATIONS**

U.S. Appl. No. 11/077,963, Richardson.  
 U.S. Appl. No. 10/645,439, Richardson.  
 U.S. Appl. No. 29/205,706, Richardson et al.  
 U.S. Appl. No. 29/205,708, Richardson et al.  
 U.S. Appl. No. 29/205,723, Richardson et al.  
 U.S. Appl. No. 29/205,722, Richardson et al.  
 U.S. Appl. No. 29/205,848, Morine et al.  
 U.S. Appl. No. 10/937,048, Richardson et al.  
 U.S. Appl. No. 29/211,554, Richardson et al.  
 U.S. Appl. No. 29/217,612, Richardson et al.  
 U.S. Appl. No. 29/217,613, Richardson et al.  
 U.S. Appl. No. 29/225,168, Richardson et al.

*Primary Examiner*—Philip S. Hyder  
*Assistant Examiner*—RoseLynne (Ulm) Cody  
 (74) *Attorney, Agent, or Firm*—Cochran Freund & Young LLC; Willam W. Cochran

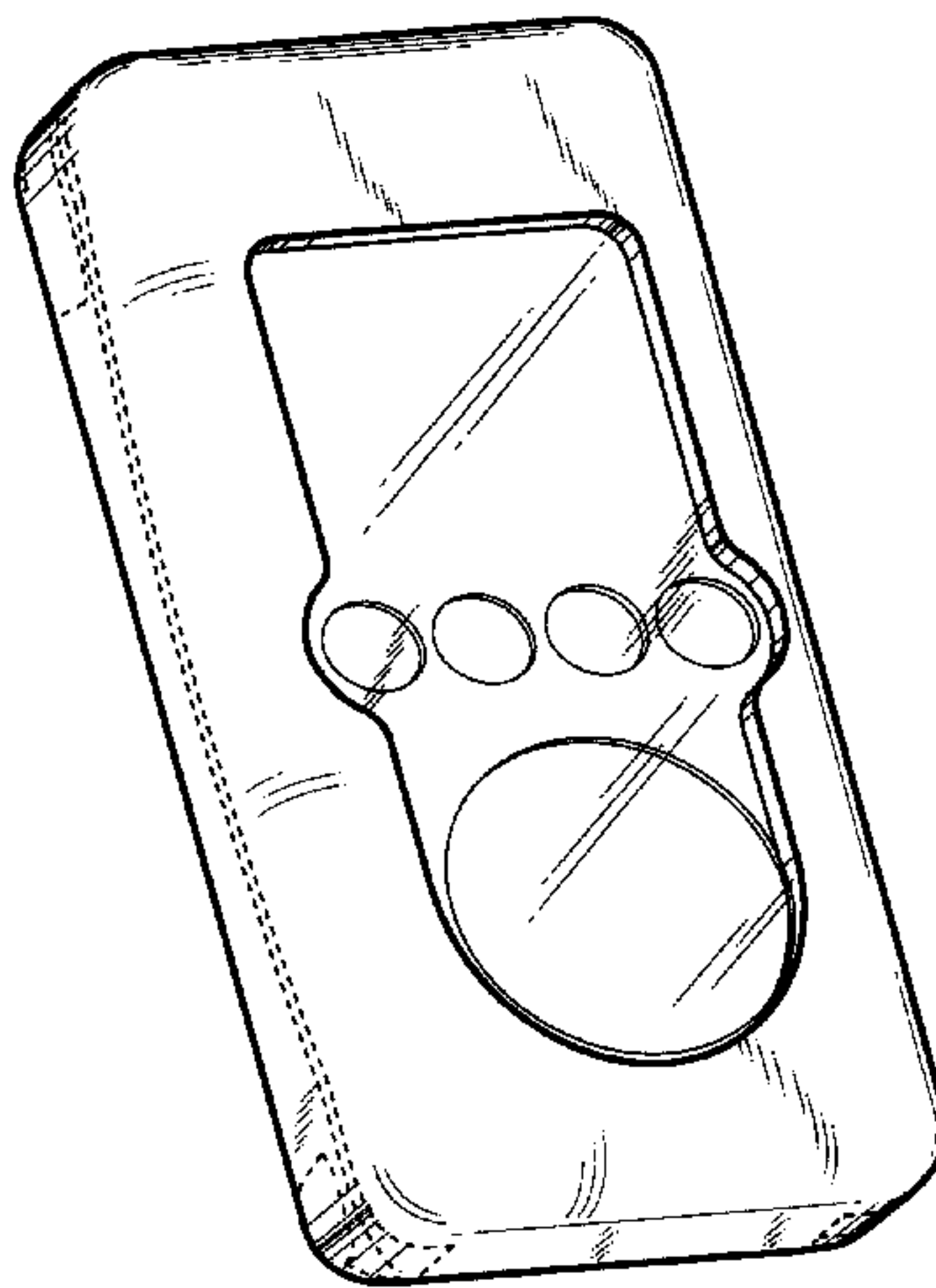
(57) **CLAIM**

The ornamental design for a case, as shown and described.

**DESCRIPTION**

FIG. 1 is an isometric view of a case showing my new design.  
 FIG. 2 is a front view thereof.  
 FIG. 3 is a top view thereof.  
 FIG. 4 is a right side view thereof.  
 FIG. 5 is a left side view thereof.  
 FIG. 6 is a bottom view thereof; and,  
 FIG. 7 is a rear view thereof.  
 The broken line portions of the disclosure are for illustrative purposes only and form no part of the claimed design.

**1 Claim, 7 Drawing Sheets**

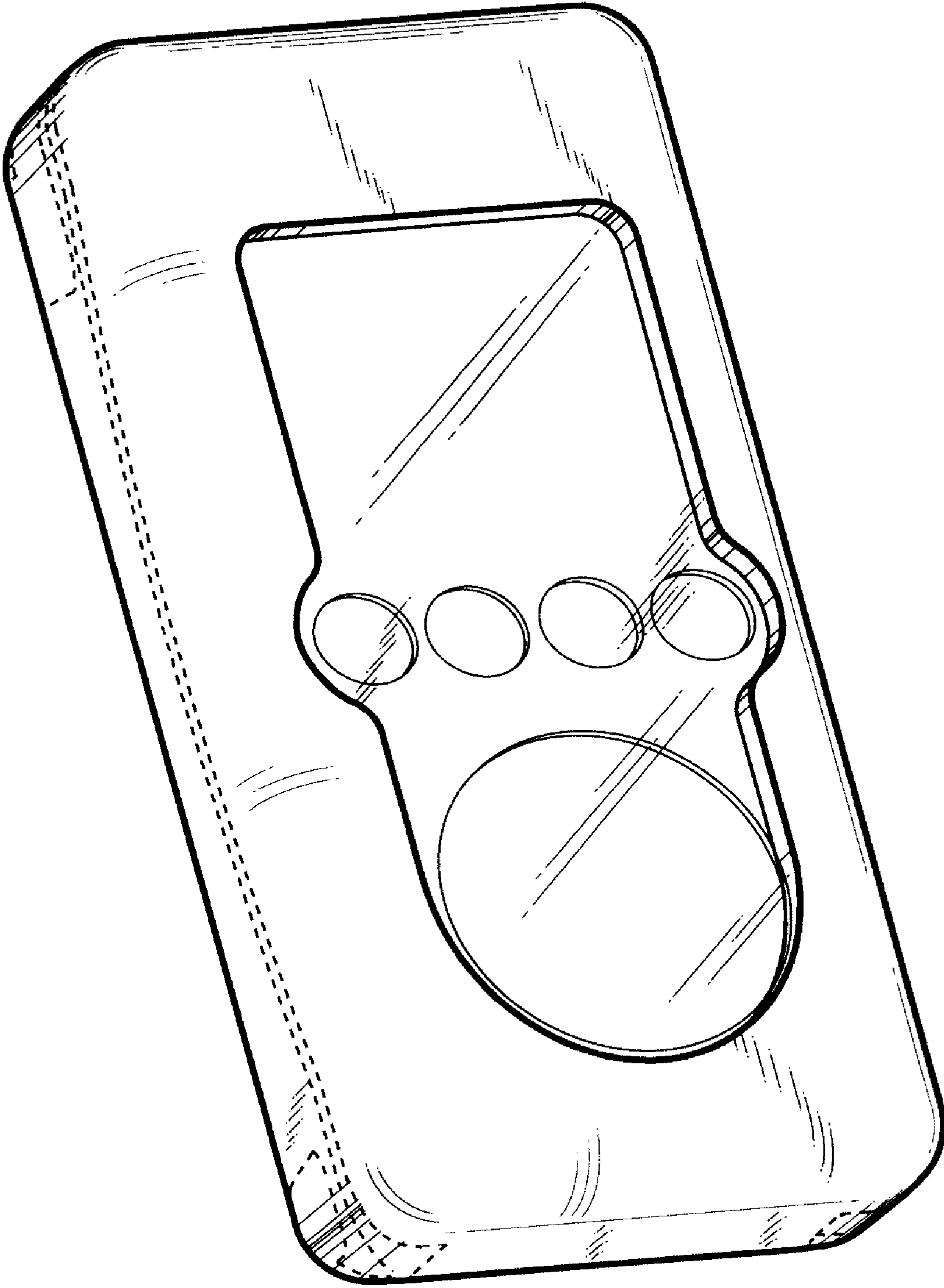


# US D526,780 S

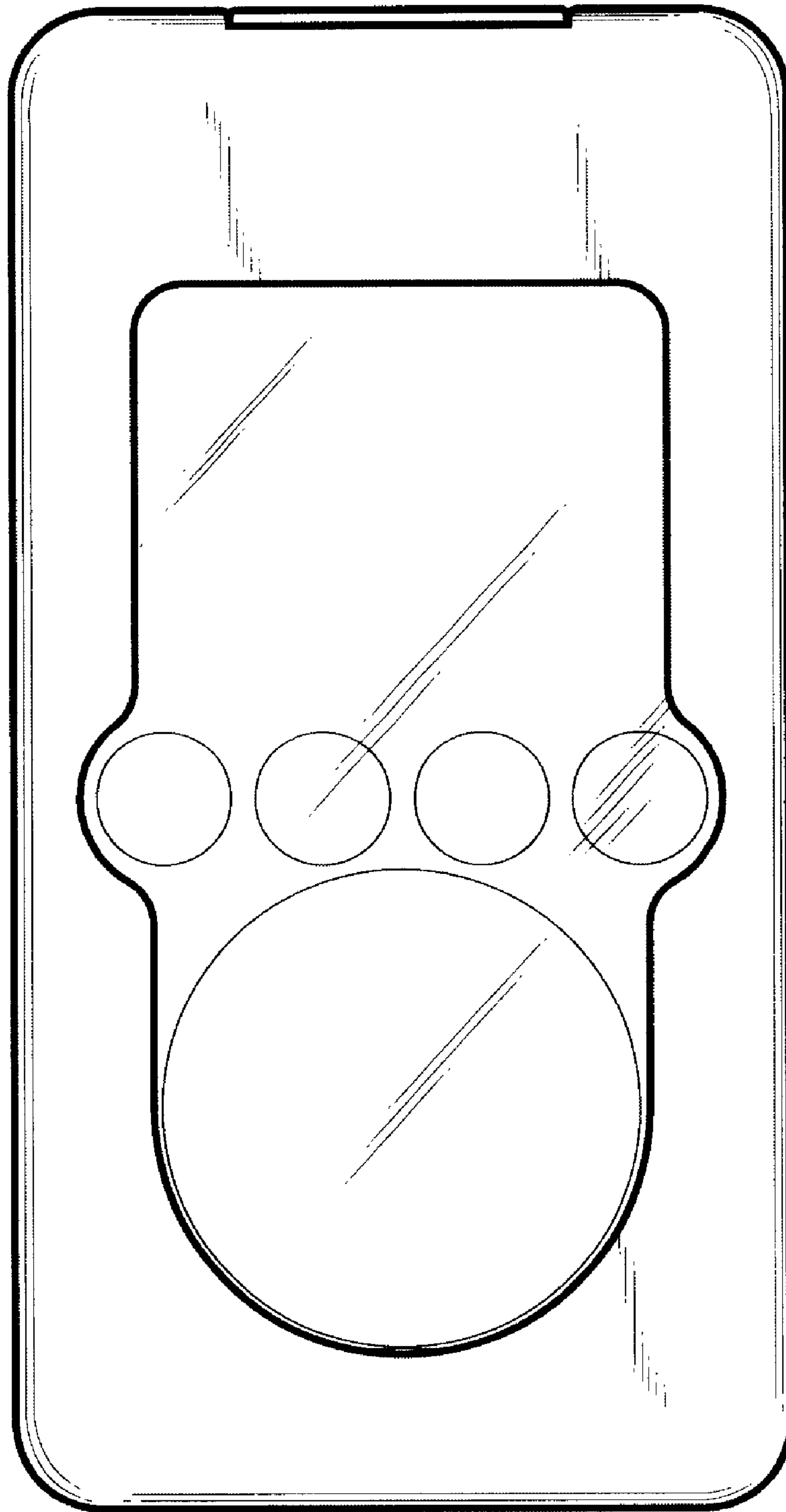
Page 2

U.S. PATENT DOCUMENTS					
D413,202 S	8/1999	Schmitt et al.	D450,054 S	* 11/2001	Dworkin ..... D14/443
D413,203 S	8/1999	Zurwelle et al.	6,313,892 B1	11/2001	Gleckman
D419,297 S	1/2000	Richardson et al.	6,317,313 B1	11/2001	Mosgrove et al.
D419,767 S	2/2000	Richardson et al.	6,388,877 B1	5/2002	Canova, Jr. et al.
D419,768 S	2/2000	Richardson et al.	6,415,138 B1	7/2002	Sirola et al.
6,031,524 A	2/2000	Kunert	D463,425 S	* 9/2002	Jenkins ..... D14/347
6,041,924 A	3/2000	Tajima	6,445,577 B1	9/2002	Madsen et al.
6,049,813 A	4/2000	Danielson et al.	6,456,487 B1	9/2002	Hetterick et al.
D423,772 S	5/2000	Cooper et al.	D464,196 S	* 10/2002	Parker
6,068,119 A	5/2000	Derr et al.	6,471,056 B1	10/2002	Tzeng
6,078,792 A	* 6/2000	Phillips ..... 455/575.1	D465,330 S	* 11/2002	Parker
D429,884 S	8/2000	Zurwelle et al.	D470,659 S	* 2/2003	Story et al.
6,094,785 A	8/2000	Montgomery et al.	6,519,141 B1	2/2003	Tseng et al.
D433,798 S	* 11/2000	Weinstock	6,536,589 B1	3/2003	Chang
D439,407 S	3/2001	Parker	D472,384 S	4/2003	Richardson
6,215,474 B1	4/2001	Shah	6,574,098 B1	* 6/2003	Netzel et al. .... 361/683
D441,954 S	* 5/2001	Parker	6,646,864 B1	* 11/2003	Richardson et al.
6,239,968 B1	5/2001	Kim et al.	6,665,174 B1	12/2003	Derr et al.
D443,133 S	6/2001	Richardson et al.	D491,543 S	* 6/2004	Chang et al. .... D14/138
D445,106 S	* 7/2001	Mosgrove et al. .... D14/341	2002/0101707 A1	8/2002	Canova et al.
6,273,252 B1	8/2001	Mitchell	2002/0126440 A1	* 9/2002	Webb et al. .... 361/680
6,301,100 B1	10/2001	Iwata	2003/0011808 A1	* 1/2003	Wu ..... 358/1.15

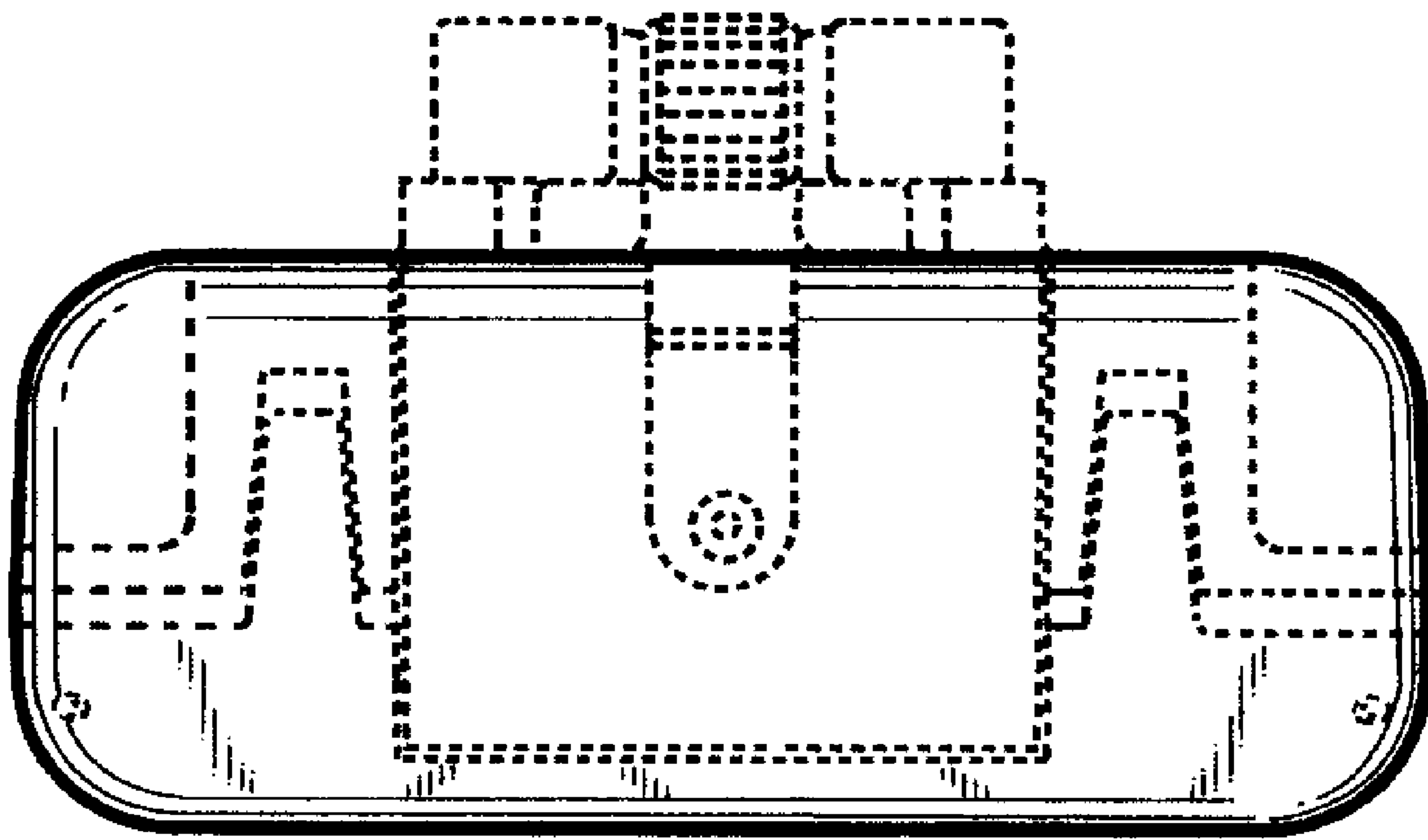
\* cited by examiner



**FIG. 1**

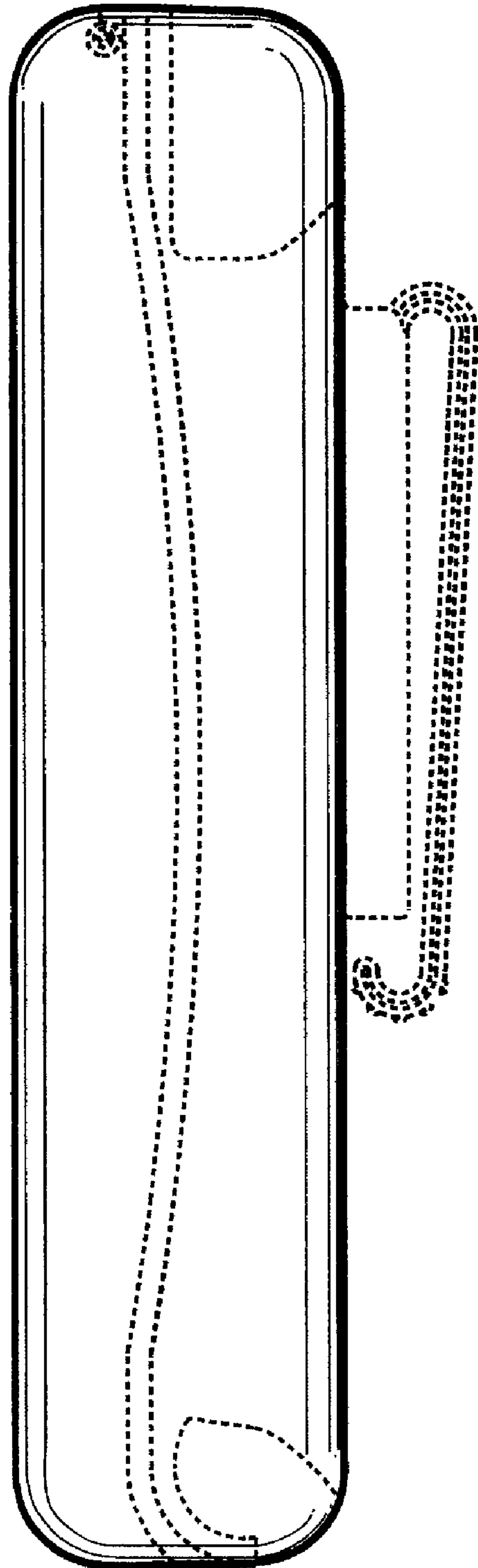


**FIG. 2**

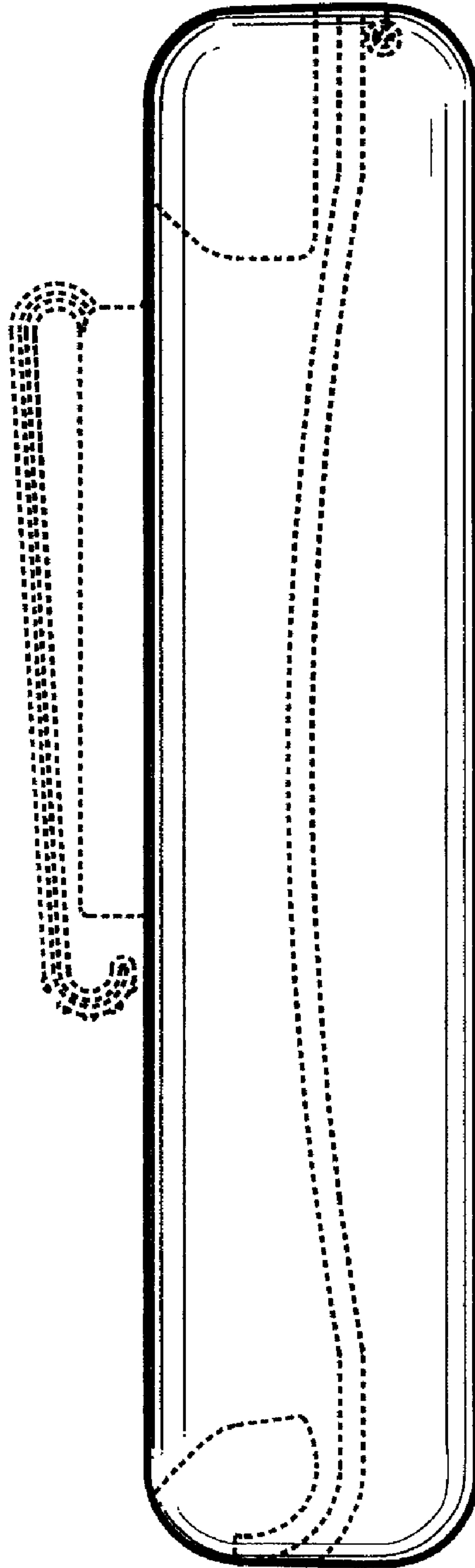


**FIG. 3**

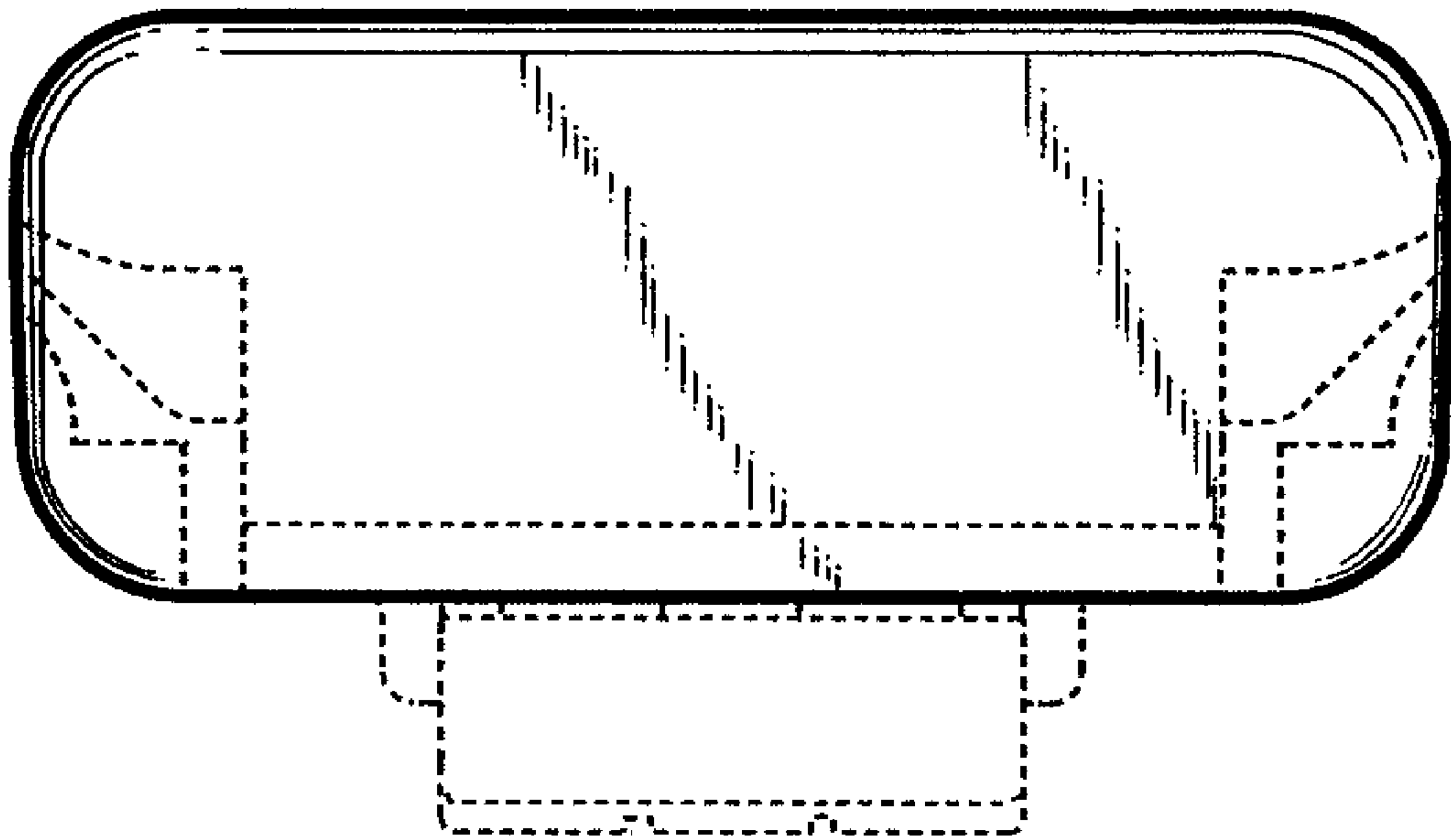




**FIG. 4**

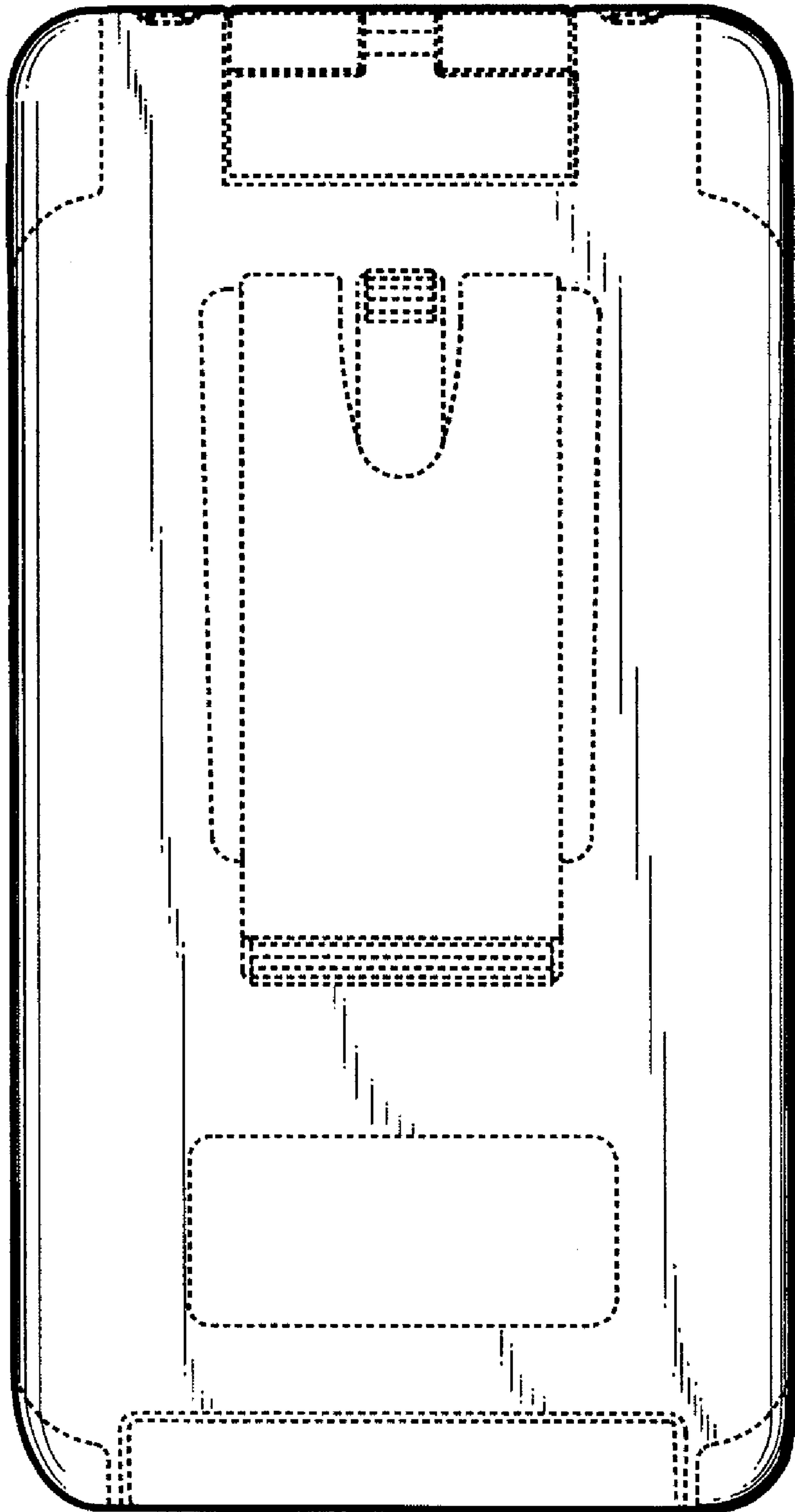


**FIG. 5**



**FIG. 6**





**FIG. 7**