

US00D526776S

(12) **United States Design Patent**
Riley

(10) **Patent No.:** **US D526,776 S**

(45) **Date of Patent:** **** Aug. 22, 2006**

(54) **HARNESS AND TETHER FOR BABY ITEMS**

(76) **Inventor:** **Sean P. Riley**, 20770 Lee Rd., Humble, TX (US) 79338

(**) **Term:** **14 Years**

(21) **Appl. No.:** **29/230,629**

(22) **Filed:** **May 24, 2005**

(51) **LOC (8) Cl.** **03-01**

(52) **U.S. Cl.** **D3/215; D3/229**

(58) **Field of Classification Search** D3/215, D3/229, 214, 217, 216; 224/148.6, 148.7, 224/623, 637-640, 655, 901.4, 930, 646; D24/199; 248/102, 104

See application file for complete search history.

(56) **References Cited**

U.S. PATENT DOCUMENTS

3,144,230	A	*	8/1964	Brooks	248/102
4,096,977	A	*	6/1978	Barville et al.	224/148.6
4,220,302	A	*	9/1980	Hampton et al.	248/102
4,537,341	A	*	8/1985	Kelly	224/620
5,333,768	A	*	8/1994	Krentz	224/623
D417,778	S	*	12/1999	Karlin, III	D3/229
D419,762	S	*	2/2000	Riley	D3/229
6,398,088	B1	*	6/2002	Burke	D3/214

D509,627 S * 9/2005 Willows et al. D3/215
2004/0140407 A1 * 7/2004 Morris et al. 248/102

* cited by examiner

Primary Examiner—Catherine R. Oliver

(74) *Attorney, Agent, or Firm*—Browning Bushman P.C.

(57) **CLAIM**

The ornamental design for a harness and tether for baby items, as shown and described.

DESCRIPTION

FIG. 1 is a front perspective view of a harness and tether according to the present invention with a baby bottle at the end of the tether and not forming part of the claimed invention.

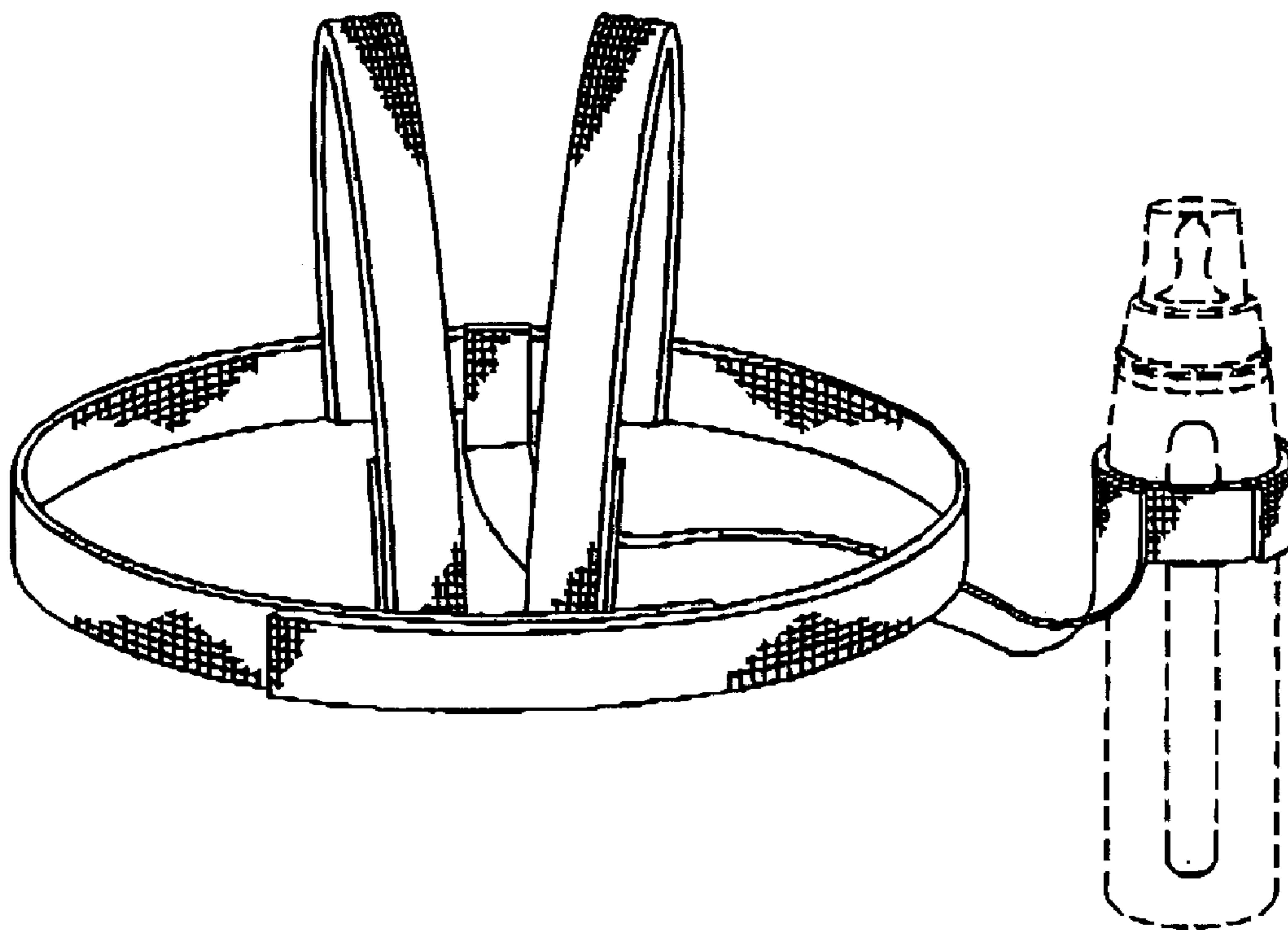
FIG. 2 is a rear view of the harness and tether shown in FIG. 1.

FIG. 3 is a right side view of the harness and tether shown in FIG. 1. The left side view may be identical to the right side view.

FIG. 4 is a top view of the harness and tether shown in FIG. 1; and,

FIG. 5 is a bottom view of the harness and tether shown in FIG. 1.

1 Claim, 2 Drawing Sheets



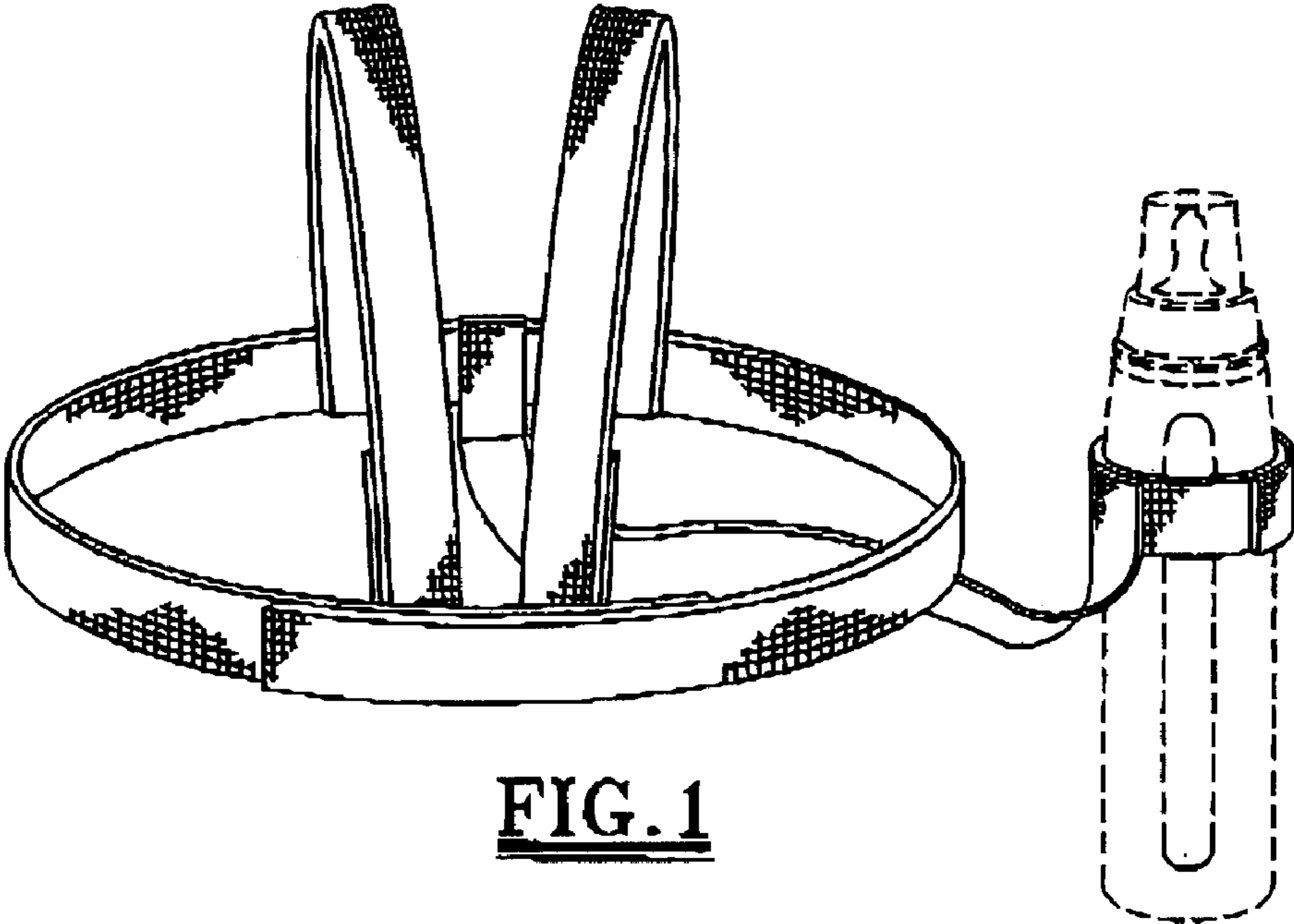


FIG. 1

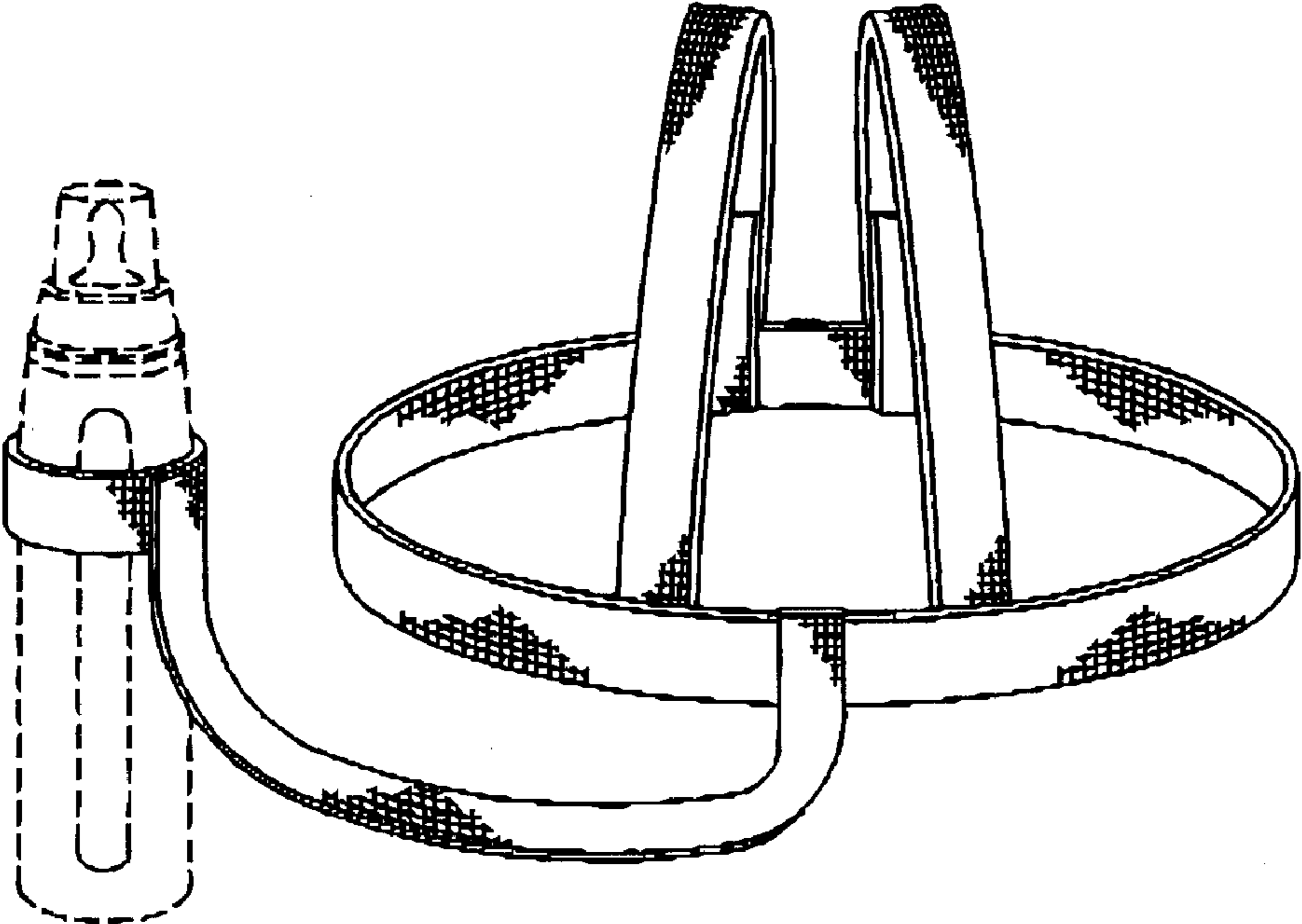


FIG. 2

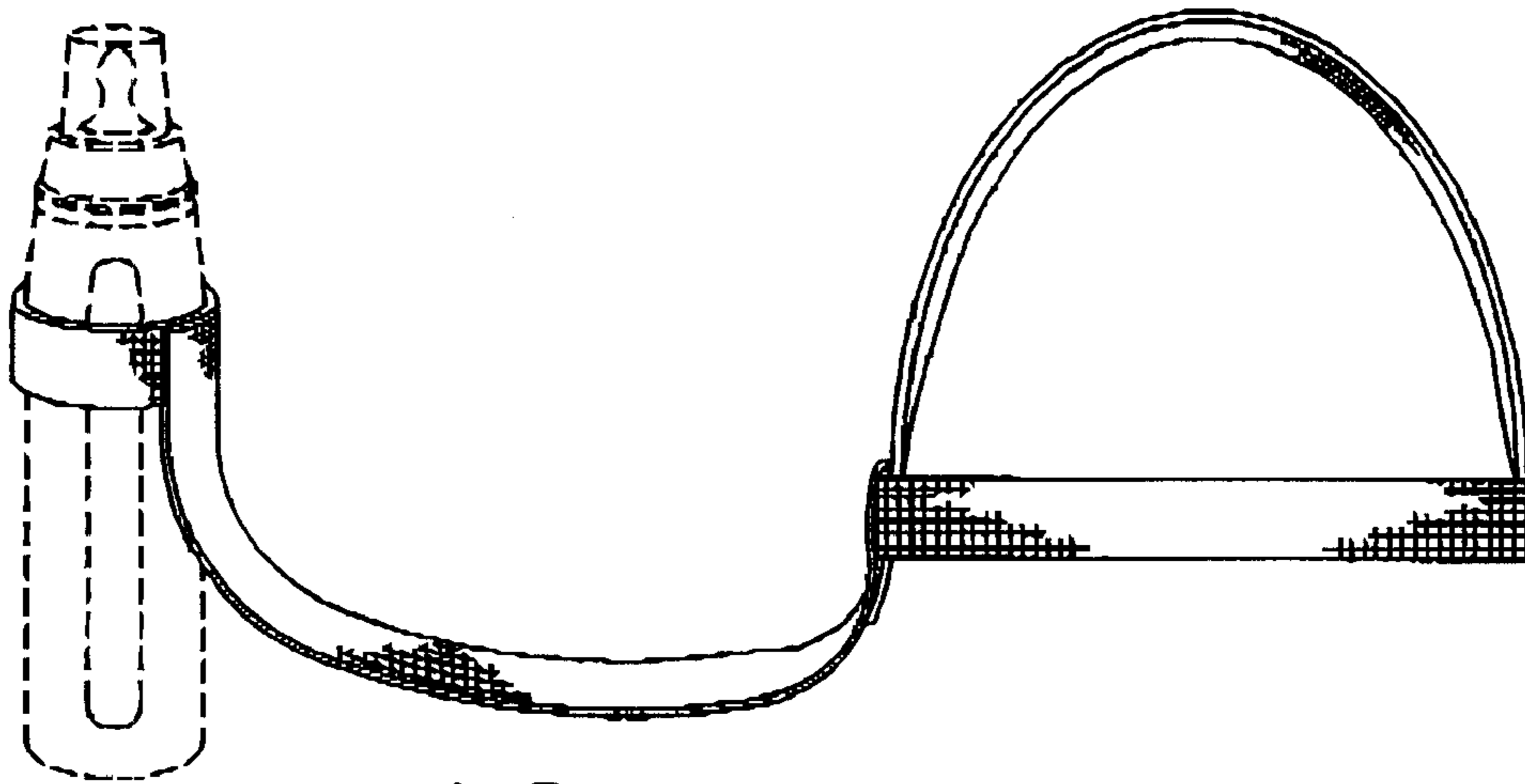


FIG. 3

FIG. 4

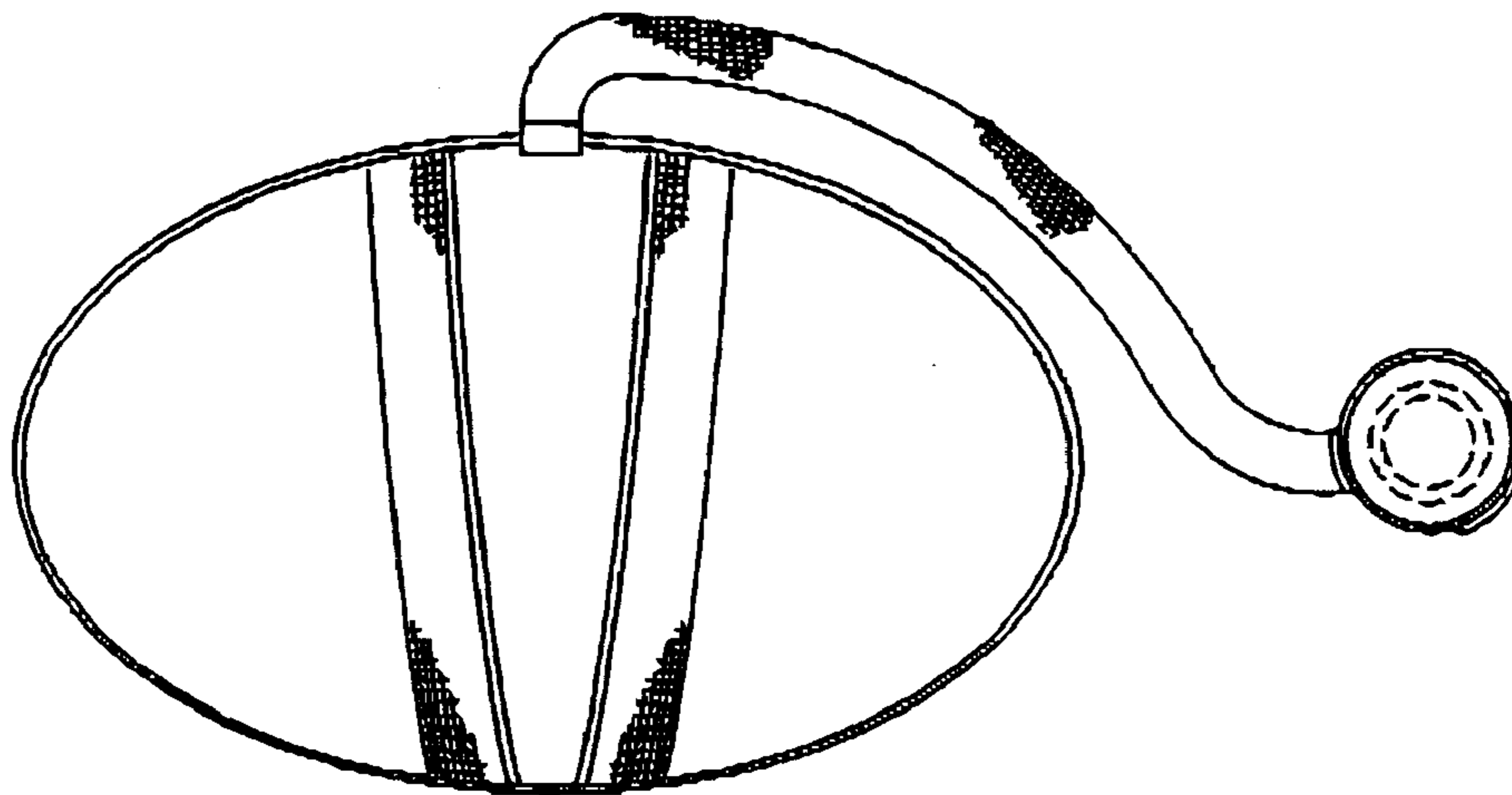


FIG. 5

