



US00D526775S

(12) **United States Design Patent**
Anderton

(10) **Patent No.:** **US D526,775 S**

(45) **Date of Patent:** **** Aug. 22, 2006**

(54) **LIP BALM HOLDER**

(75) Inventor: **Brady J. Anderton**, Parker, CO (US)

(73) Assignee: **Ora Labs, Inc.**, Parker, CO (US)

(**) Term: **14 Years**

(21) Appl. No.: **29/218,997**

(22) Filed: **Dec. 13, 2004**

(51) **LOC (8) Cl.** **03-01**

(52) **U.S. Cl.** **D3/215; D28/77**

(58) **Field of Classification Search** D28/73,
D28/76, 77; D3/208, 215, 229; 224/236,
224/240, 616, 617, 666, 667; 206/385, 581
See application file for complete search history.

(56) **References Cited**

U.S. PATENT DOCUMENTS

5,067,836	A	*	11/1991	Khan	D28/77
D347,297	S	*	5/1994	Vesco	D28/77
D404,562	S	*	1/1999	Brown et al.	D3/215
D433,562	S	*	11/2000	Redlinger	D3/208

D434,896	S	*	12/2000	Haugh et al.	D3/208
6,485,379	B1	*	11/2002	Fondin et al.	224/667
D502,311	S	*	3/2005	Ellis	D3/215

* cited by examiner

Primary Examiner—Jennifer Rivard

(74) *Attorney, Agent, or Firm*—Welsh & Flaxman LLC

(57) **CLAIM**

The ornamental design for a lip balm holder, as shown and described.

DESCRIPTION

FIG. 1 is a front perspective view of a lip balm holder showing my new design.

FIG. 2 is a side elevational view thereof.

FIG. 3 is a top plan view thereof.

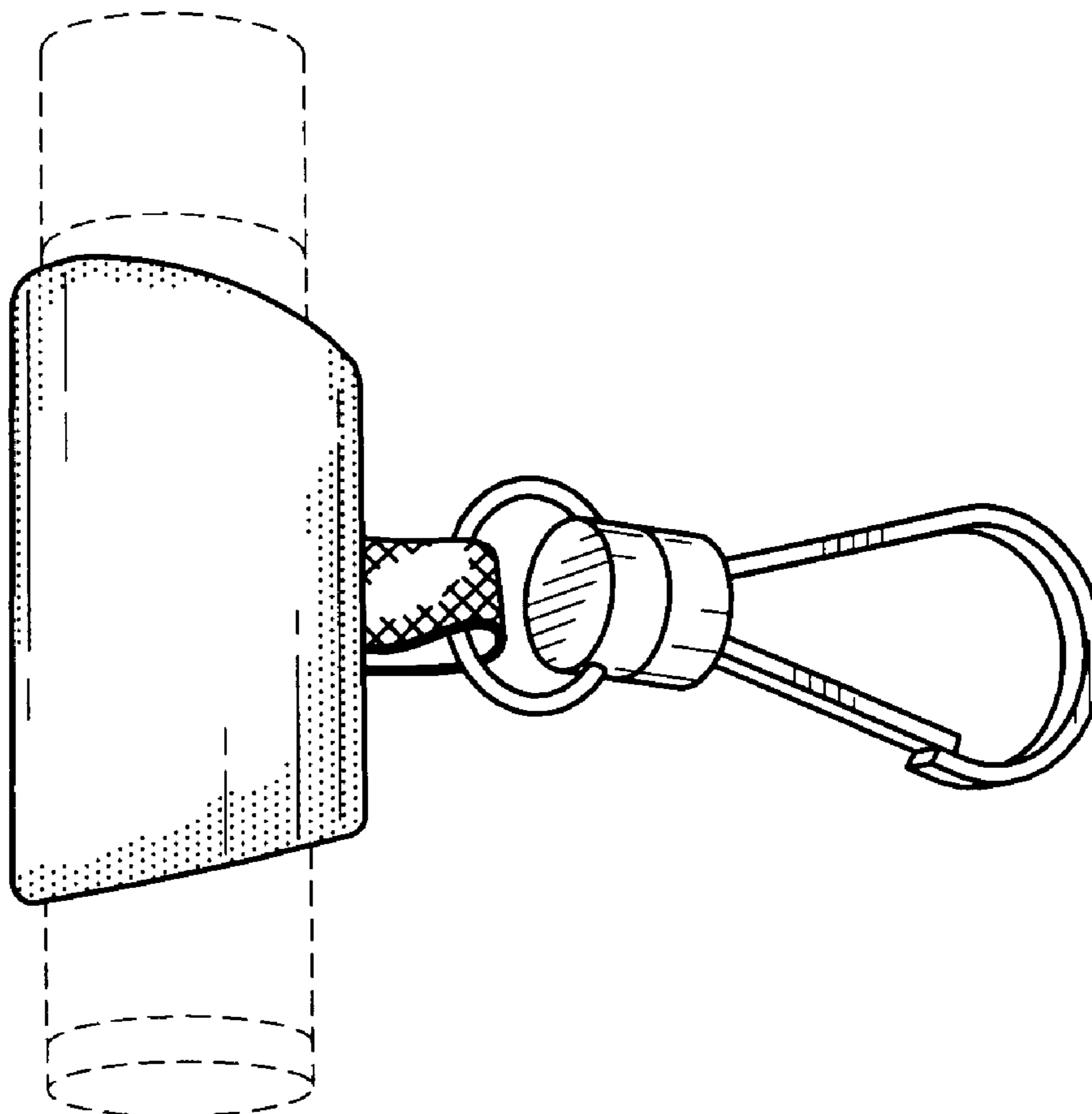
FIG. 4 is a bottom plan view thereof.

FIG. 5 is a rear elevational view thereof; and,

FIG. 6 is a front elevational view thereof.

The broken lines are shown for illustrative purposes only and form no part of the claimed design.

1 Claim, 1 Drawing Sheet



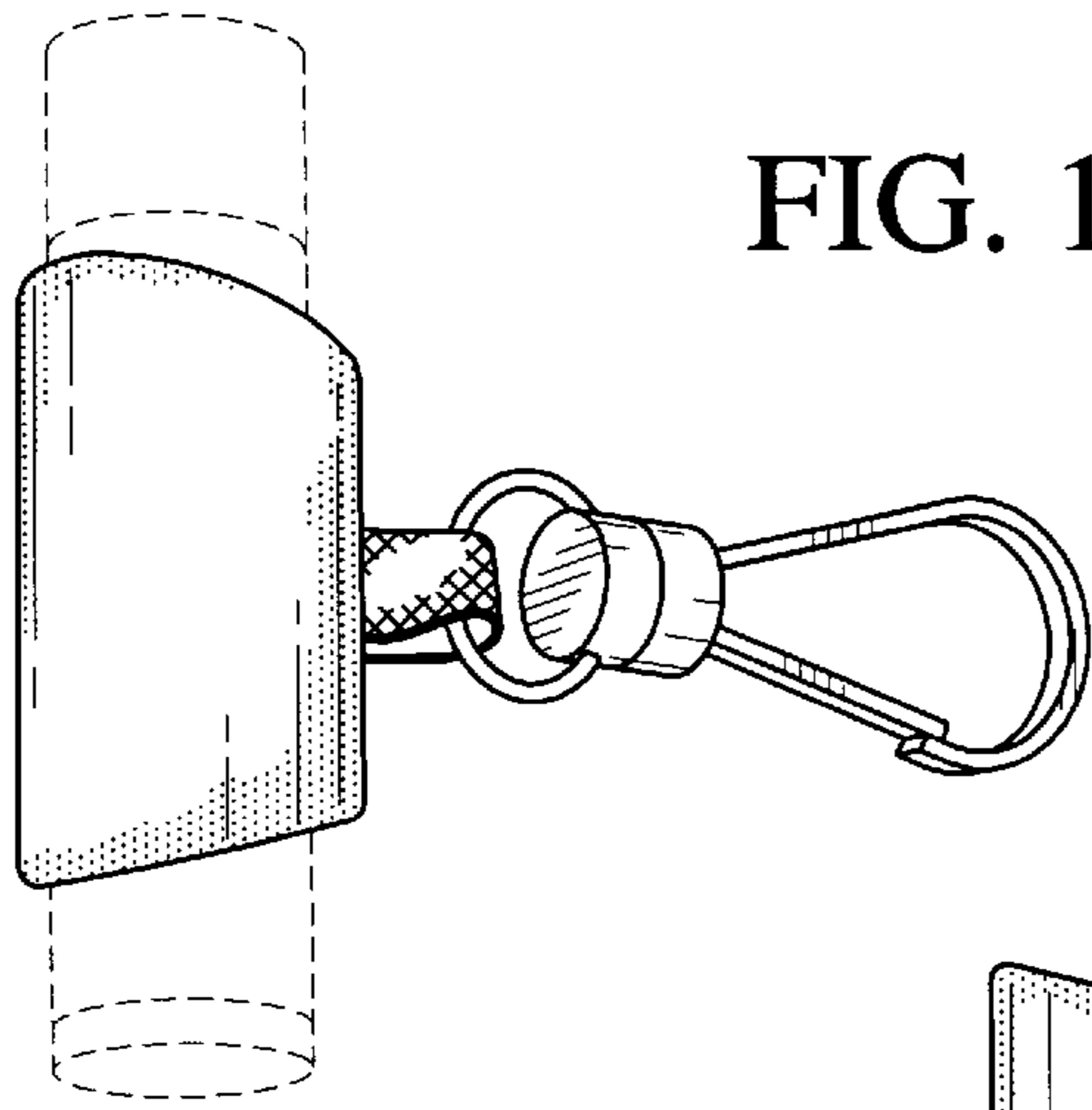


FIG. 1

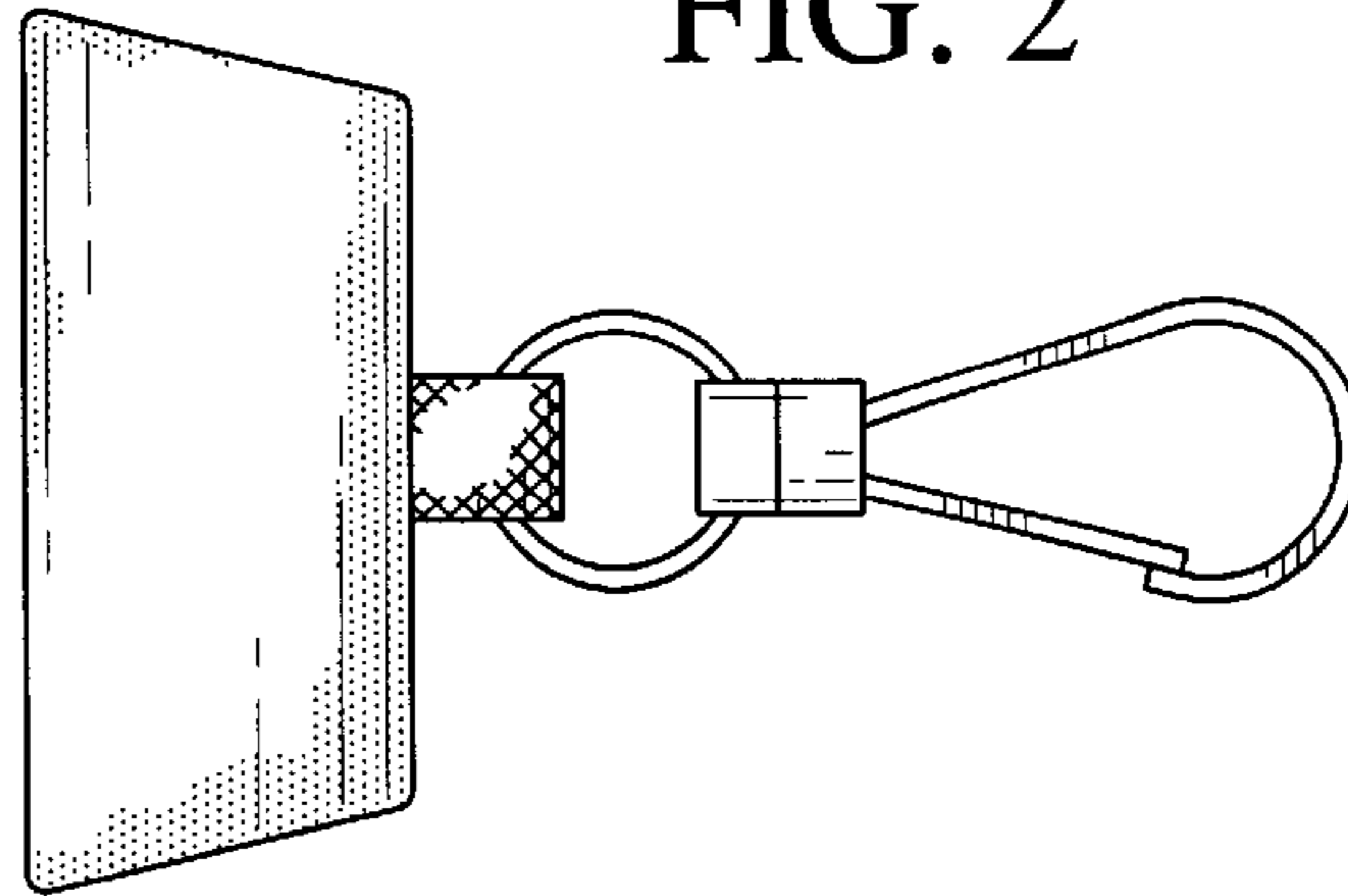


FIG. 2

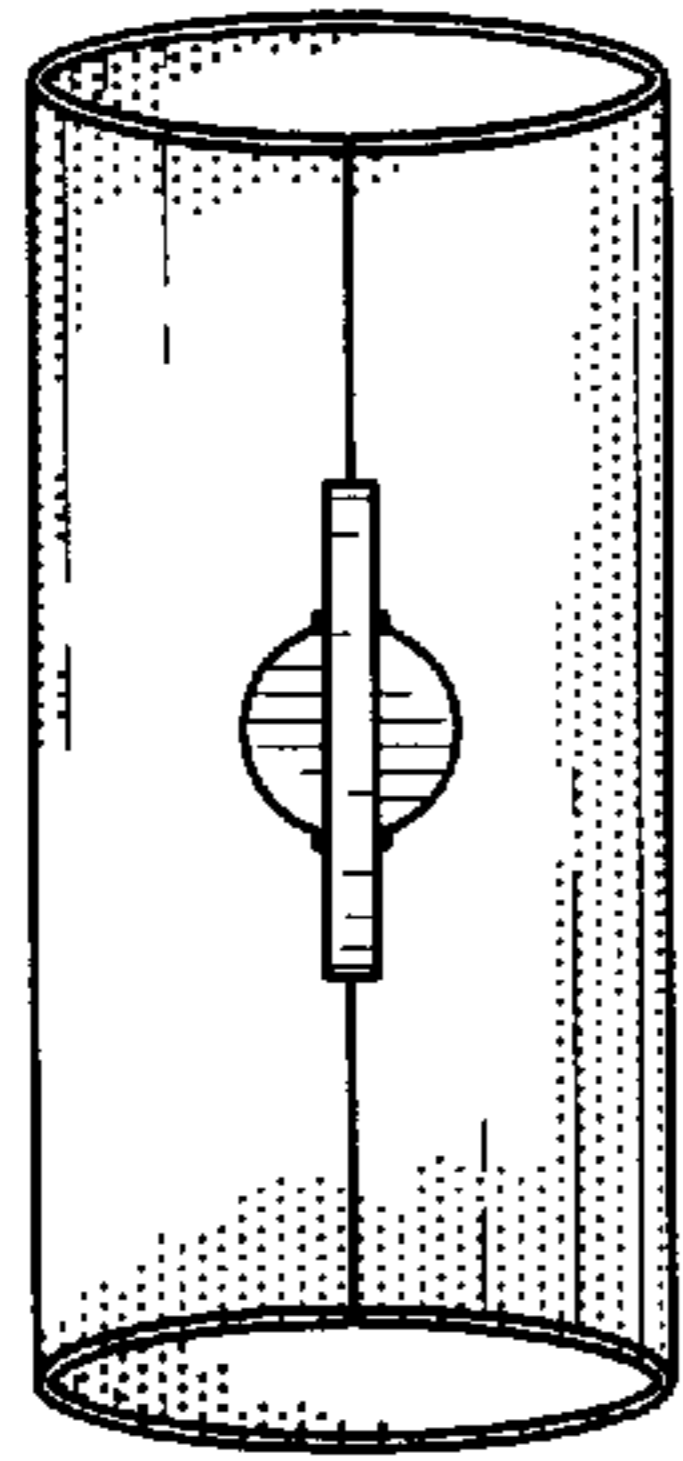


FIG. 3

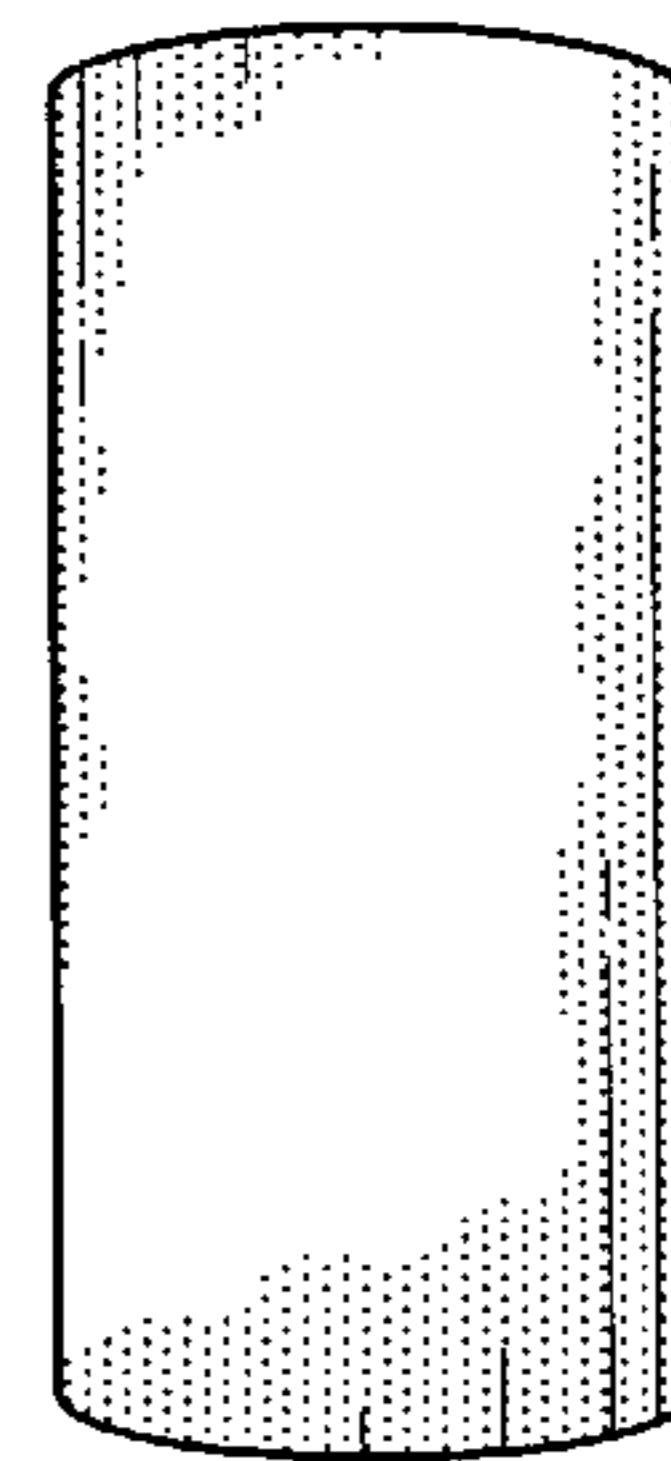


FIG. 4

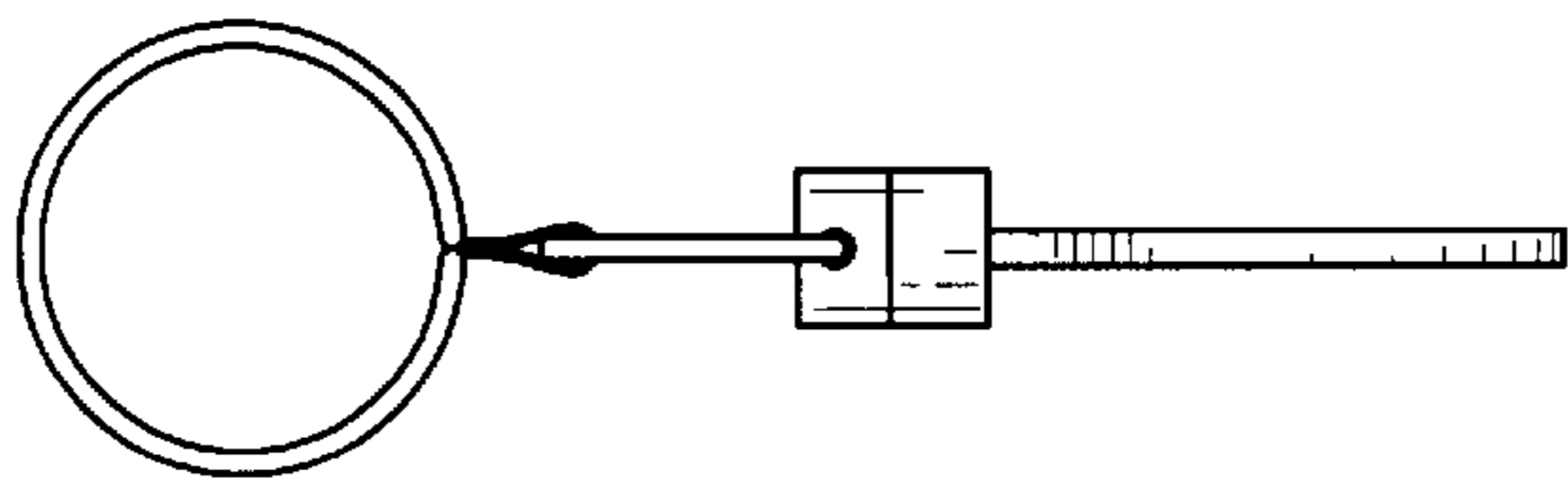


FIG. 5

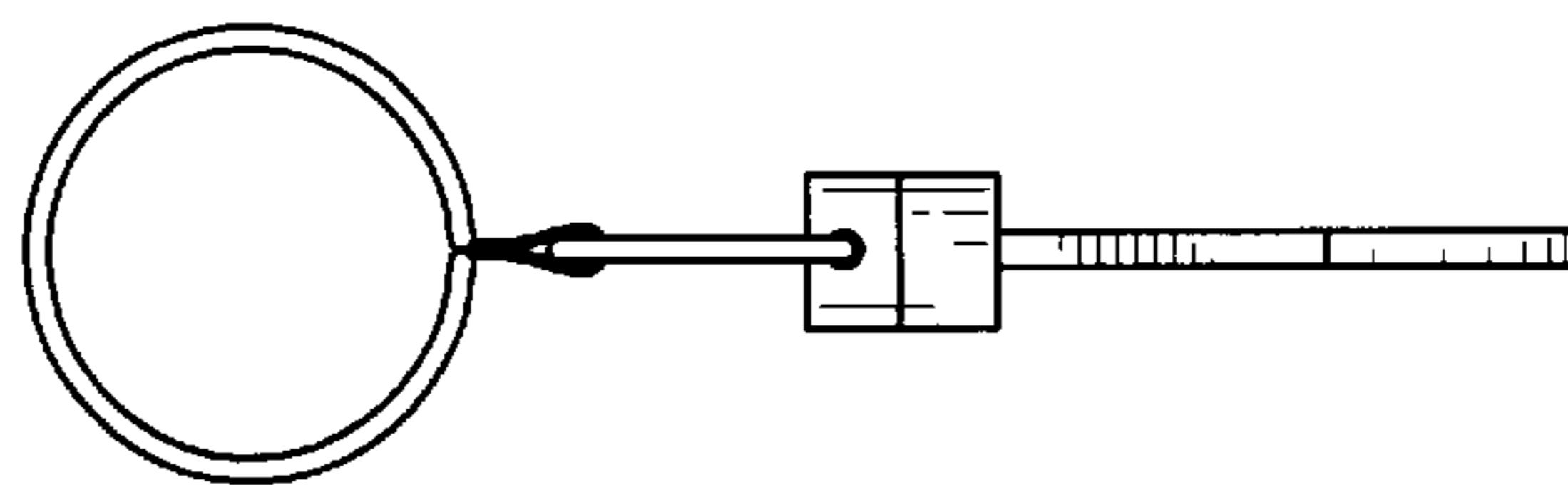


FIG. 6