

US00D526760S

(12) **United States Design Patent**  
**Fraser**

(10) **Patent No.:** **US D526,760 S**

(45) **Date of Patent:** **\*\* Aug. 15, 2006**

(54) **HOLDER FOR ASSEMBLING COINS INTO PAPER ROLLS**

(76) **Inventor:** **Marc A. Fraser**, 2982 E. Alta Loma Dr., Palm Springs, CA (US) 92264

(\*\*) **Term:** **14 Years**

(21) **Appl. No.:** **29/207,016**

(22) **Filed:** **Jun. 8, 2004**

(51) **LOC (8) Cl.** ..... **99-00**

(52) **U.S. Cl.** ..... **D99/34**

(58) **Field of Classification Search** ..... D99/34,  
D99/35, 36, 37, 38, 43; 206/0.8, 0.84, 0.81,  
206/0.83; D3/310-313; D24/230; D7/500-505,  
D7/550.1, 553.1-553.8; 53/254, 213; D18/3;  
232/5; 453/55, 60, 62  
See application file for complete search history.

(56) **References Cited**

**U.S. PATENT DOCUMENTS**

518,948 A \* 5/1894 Hayden ..... 206/0.81  
D183,856 S \* 11/1958 Moses ..... D99/34  
D185,105 S \* 5/1959 Ullman ..... D99/34  
2,952,108 A \* 9/1960 Ullman ..... 53/254

3,107,467 A \* 10/1963 Gates ..... 53/254  
D292,739 S \* 11/1987 Izant ..... D99/34  
D303,863 S \* 10/1989 Purifoy ..... D99/34  
D417,059 S \* 11/1999 Richter ..... D99/34  
6,502,692 B1 \* 1/2003 Gentle ..... 206/0.83  
D504,550 S \* 4/2005 Setcer, Jr. .... D99/34

\* cited by examiner

*Primary Examiner*—Paula A. Greene

(74) *Attorney, Agent, or Firm*—Timothy Thut Tyson  
Freilich, Hornbaker & Rosen

(57) **CLAIM**

The ornamental design for a holder for assembling coins into paper rolls, as shown.

**DESCRIPTION**

FIG. 1 is a front, top, left side perspective view of a holder for assembling coins into paper rolls showing my new design;

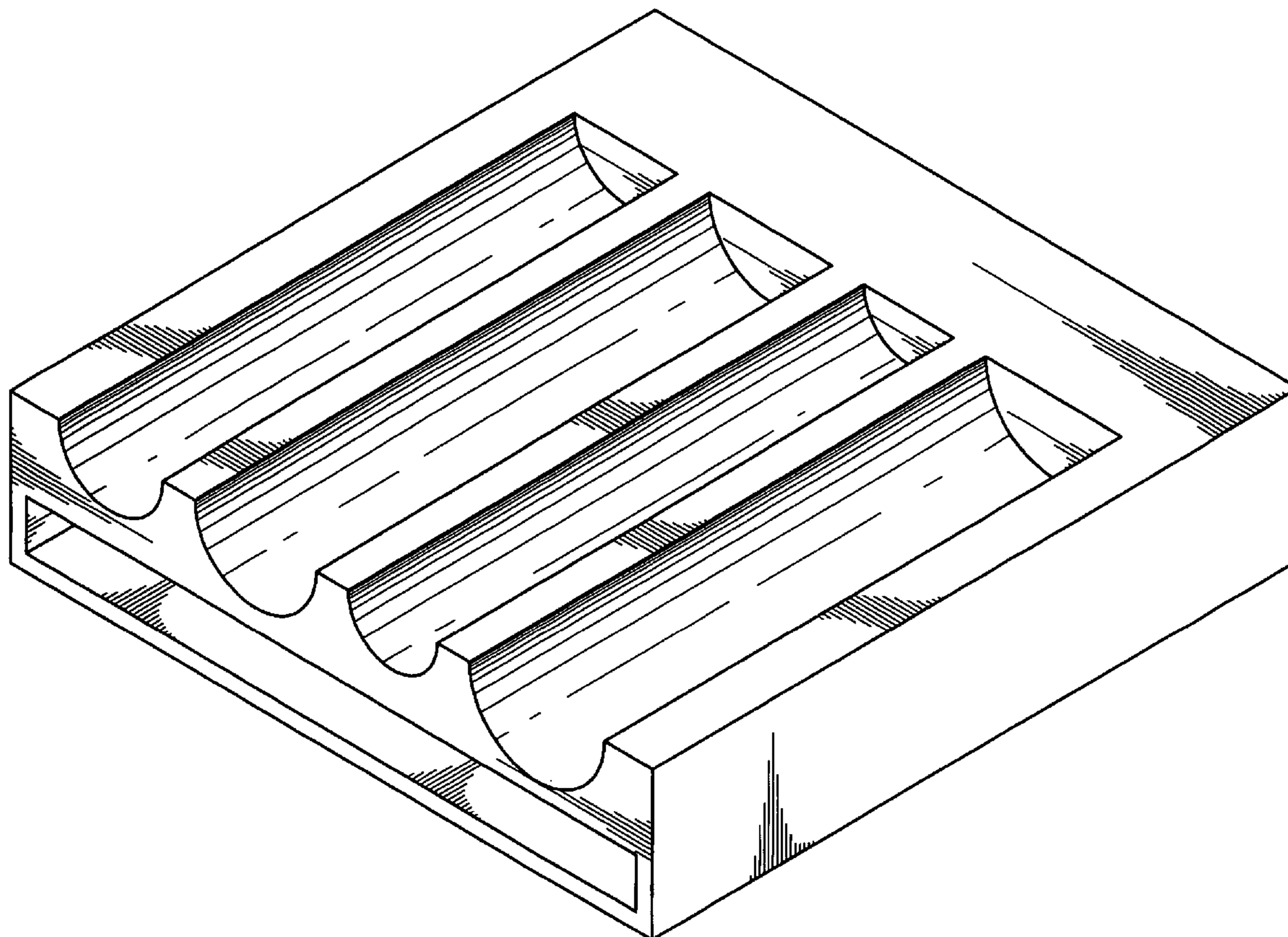
FIG. 2 is a front elevation view thereof;

FIG. 3 is a top plan view thereof;

FIG. 4 is a rear elevation view thereof; and,

FIG. 5 is a bottom plan view thereof.

**1 Claim, 3 Drawing Sheets**



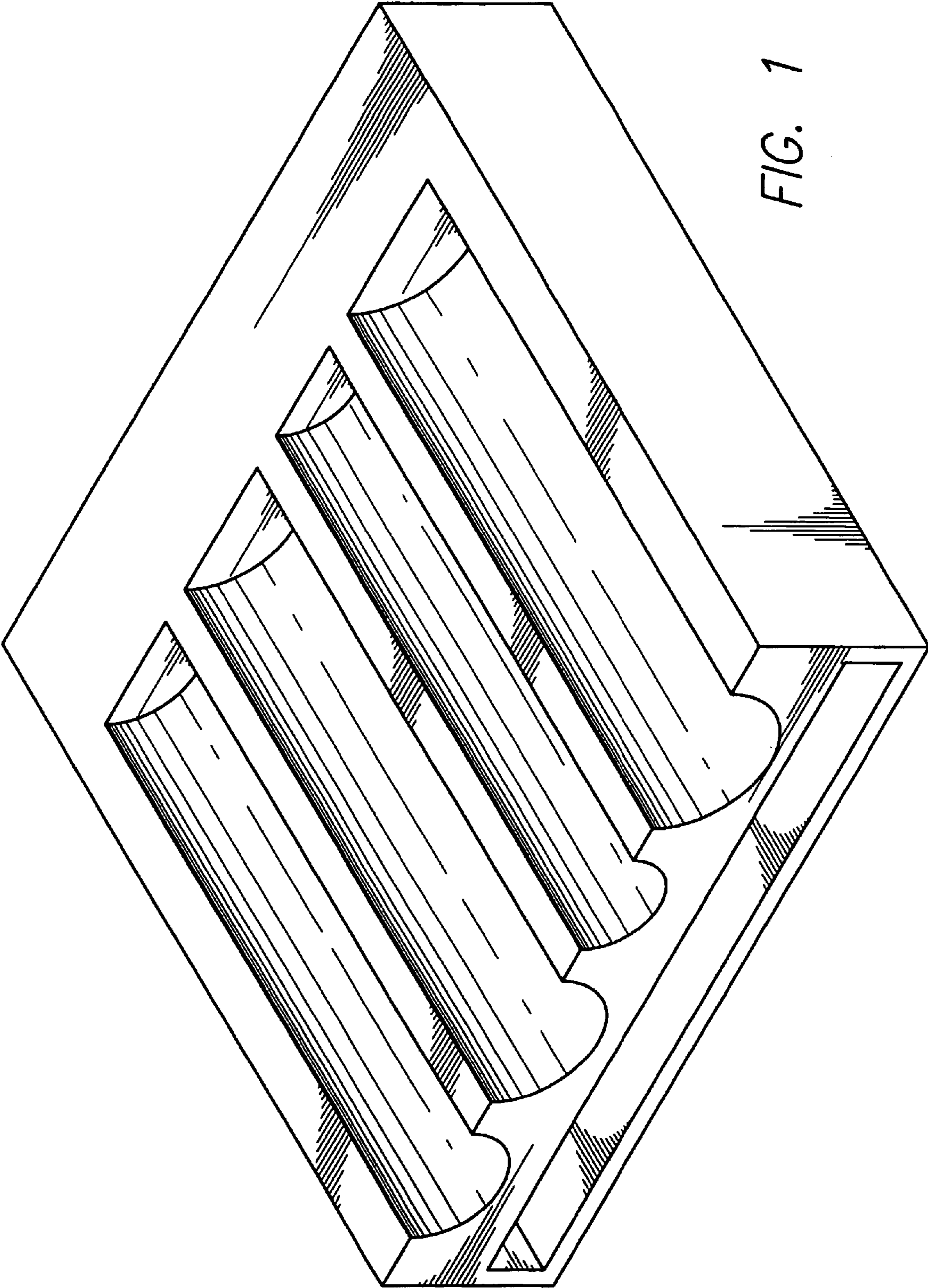


FIG. 1

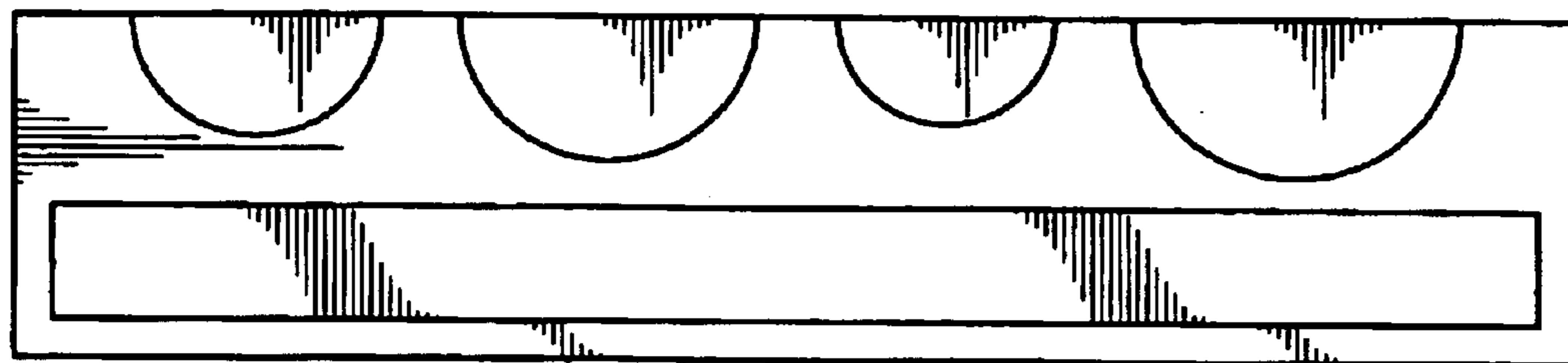


FIG. 2

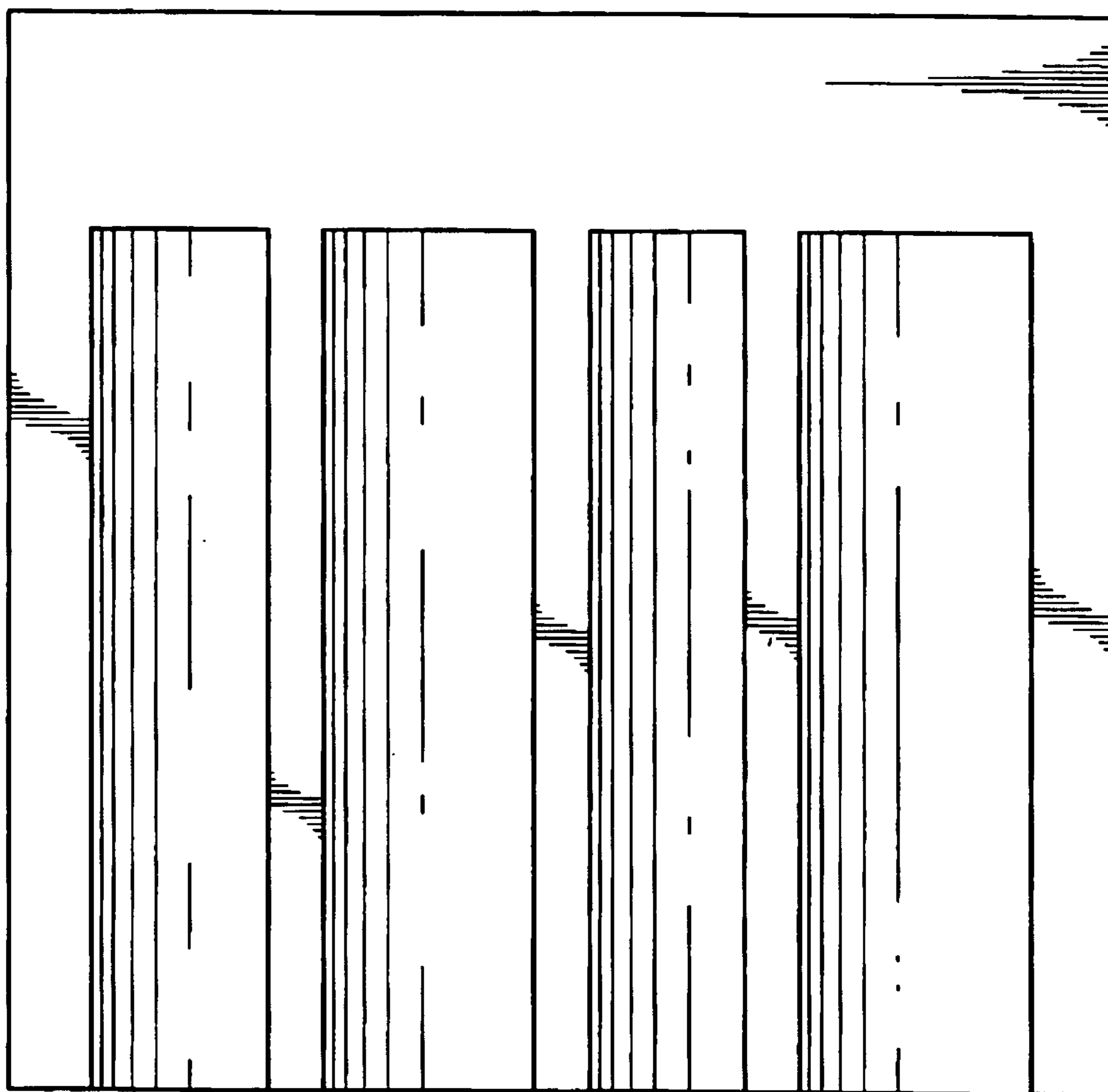
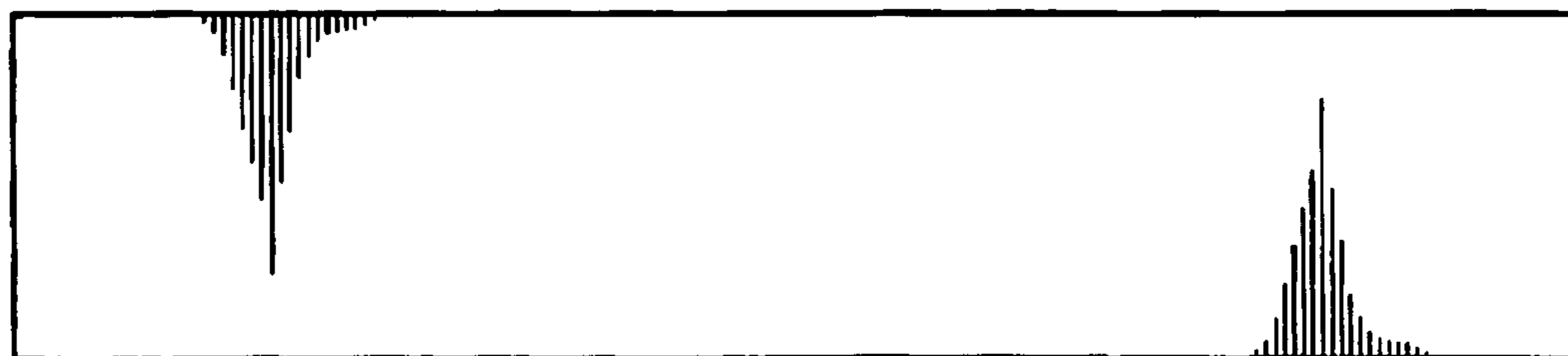
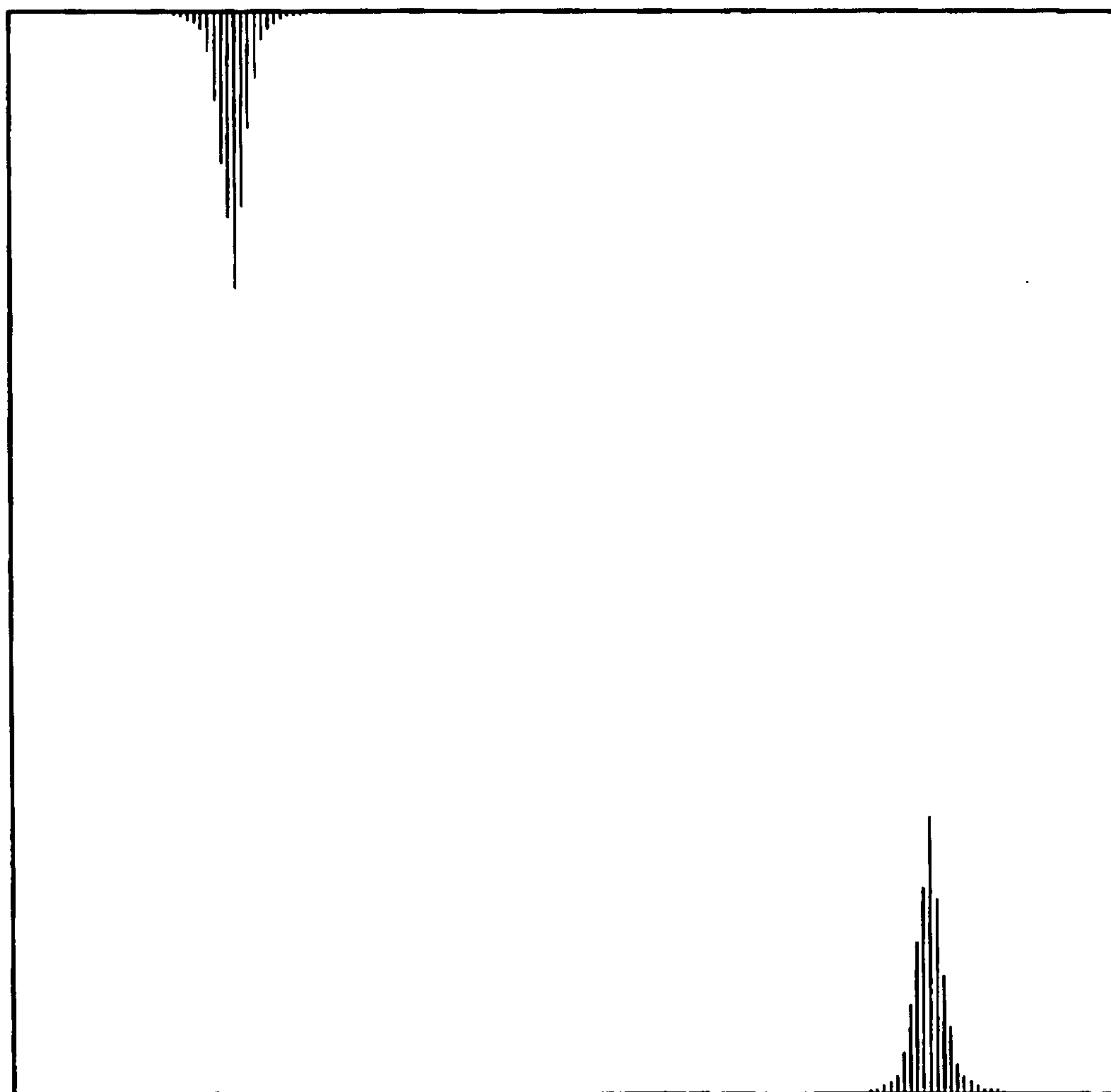


FIG. 3



*FIG. 4*



*FIG. 5*